



US00D343903S

United States Patent [19]

[11] Patent Number: **Des. 343,903**

Perteet

[45] Date of Patent: **** Feb. 1, 1994**

[54] HEATING PAD

D. 324,734 3/1992 Burgess D24/207

[76] Inventor: **Rickie J. Perteet, 720 Booth Ave.,
Larimore, N. Dak. 58251**

*Primary Examiner—Stella Reid
Attorney, Agent, or Firm—Hugh E. Smith*

[**] Term: **14 Years**

[57] **CLAIM**

[21] Appl. No.: **837,985**

The ornamental design for a heating pad, as shown and described.

[22] Filed: **Feb. 21, 1992**

[52] U.S. Cl. **D24/206**

[58] Field of Search 128/399, 400, 401, 402,
128/403; D24/207, 206

DESCRIPTION

FIG. 1 is a front elevational view of a heating pad showing my new design;

FIG. 2 is a rear elevational view thereof;

FIG. 3 is a left side elevational view thereof;

FIG. 4 is a right side elevational view thereof;

FIG. 5 is a top plan view thereof; and,

FIG. 6 is a bottom plan view thereof.

[56] References Cited

U.S. PATENT DOCUMENTS

- D. 207,521 4/1967 Durr D24/206
- D. 212,988 12/1968 Katzman et al. D24/206

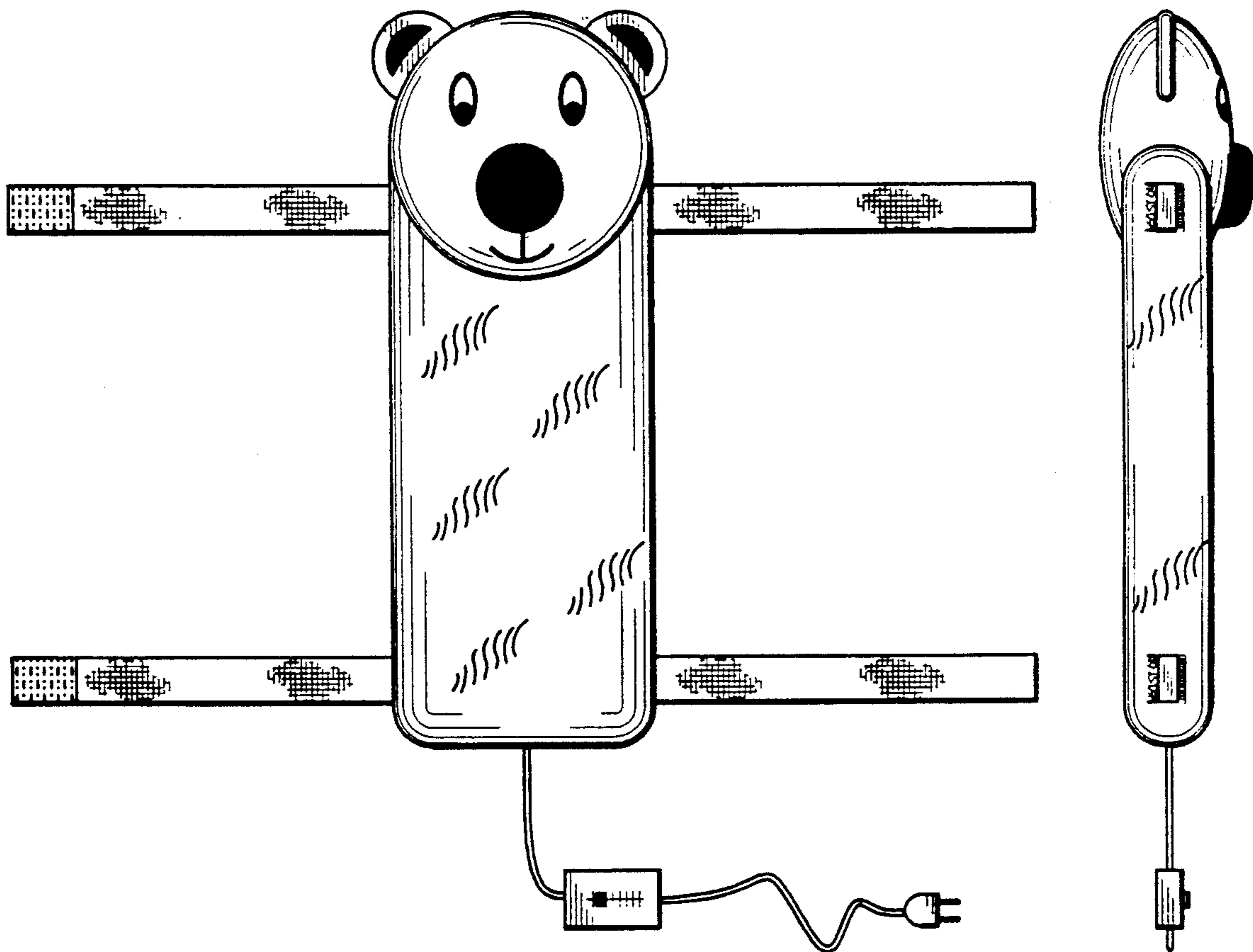


FIG. 1

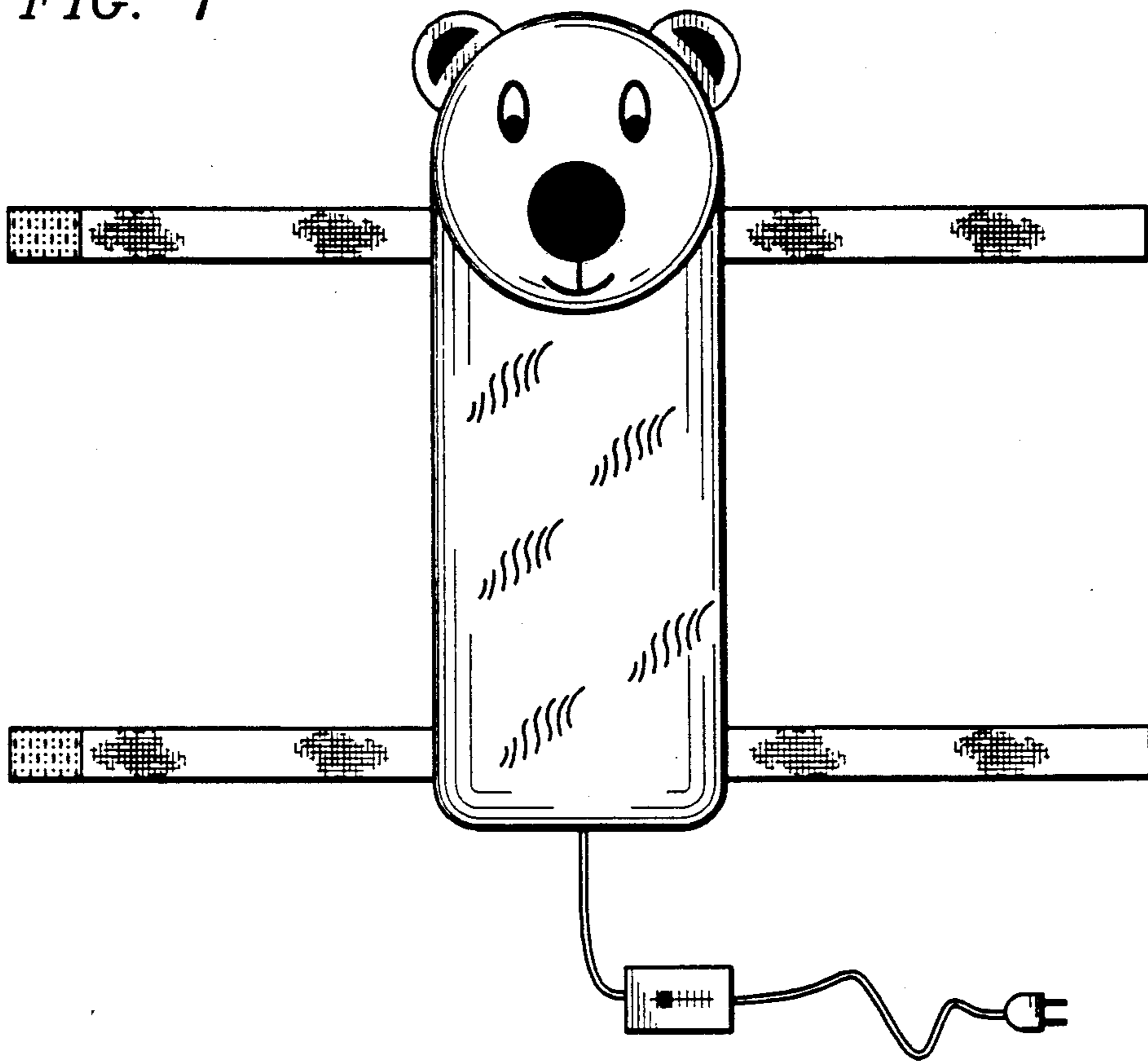


FIG. 2

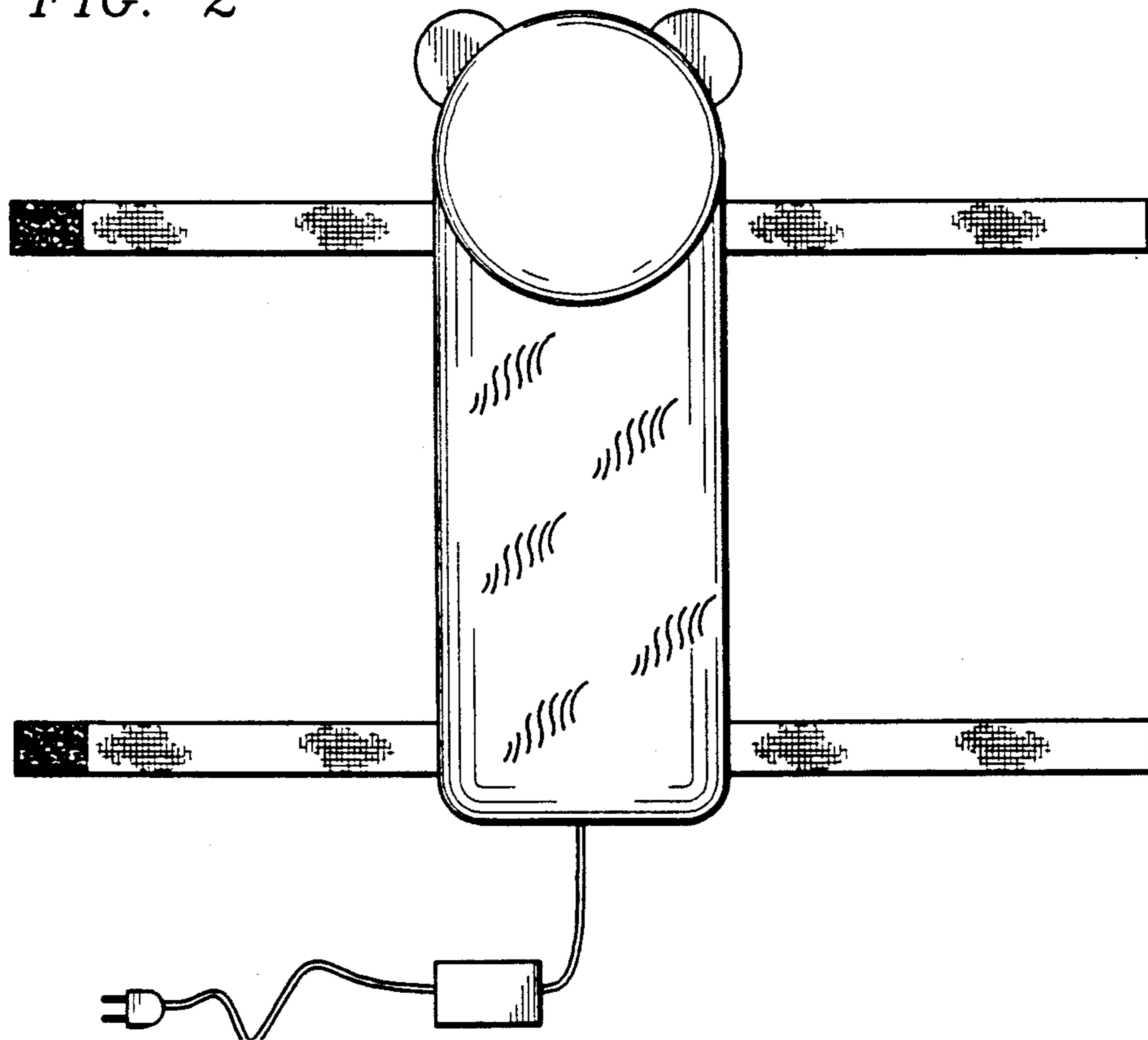


FIG. 3

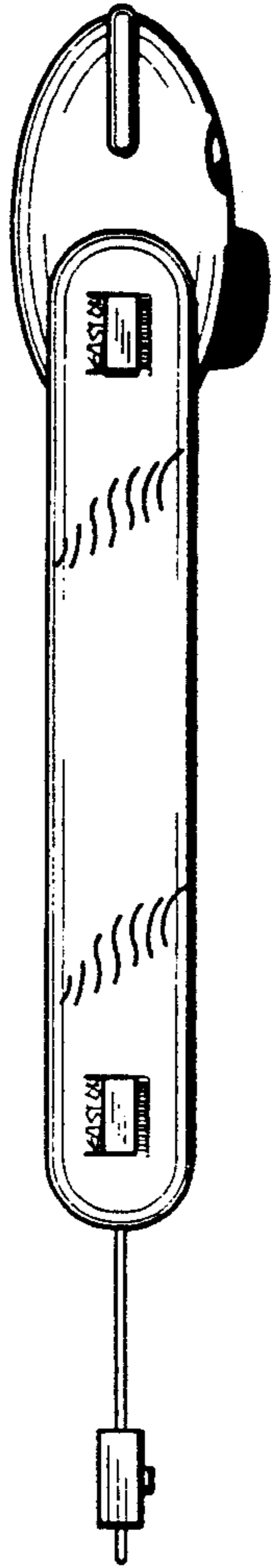


FIG. 4



FIG. 5

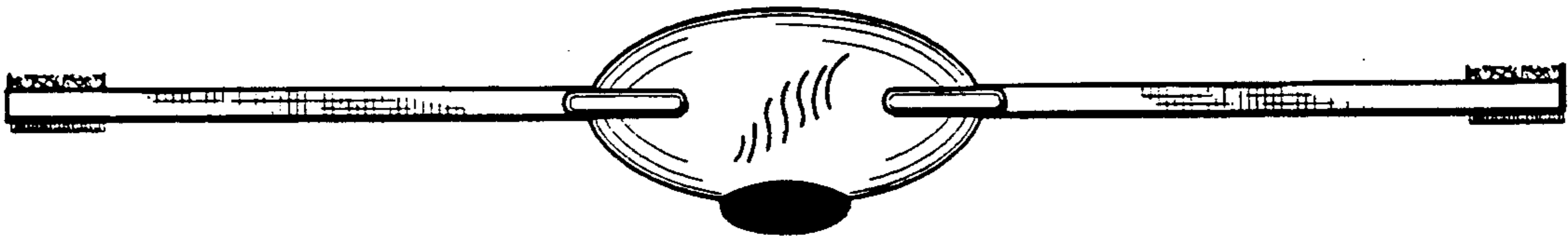


FIG. 6

