



US00D343898S

# United States Patent [19]

Bryant et al.

[11] Patent Number: Des. 343,898

[45] Date of Patent: \*\* Feb. 1, 1994

[54] CATHETER ADAPTER

[75] Inventors: Peter L. Bryant, Libertyville;  
Nicolaos A. Drivas, Des Plaines, both  
of Ill.

[73] Assignee: Abbott Laboratories, Abbott Park,  
Ill.

[\*\*] Term: 14 Years

[21] Appl. No.: 797,763

[22] Filed: Nov. 22, 1991

[52] U.S. Cl. .... D24/112

[58] Field of Search ..... 604/243, 283, 240-242,  
604/164, 180, 905; 285/81, 334.3, 339, 343, 353;  
D24/130, 129

[56] References Cited

U.S. PATENT DOCUMENTS

D. 204,352 4/1966 Eizenberg ..... D24/130

D. 252,470 7/1979 Pawlak ..... D24/129  
D. 270,282 8/1983 Gross ..... D24/112  
D. 327,320 6/1992 Bryant ..... D24/130  
5,053,015 10/1991 Gross ..... 604/243 X

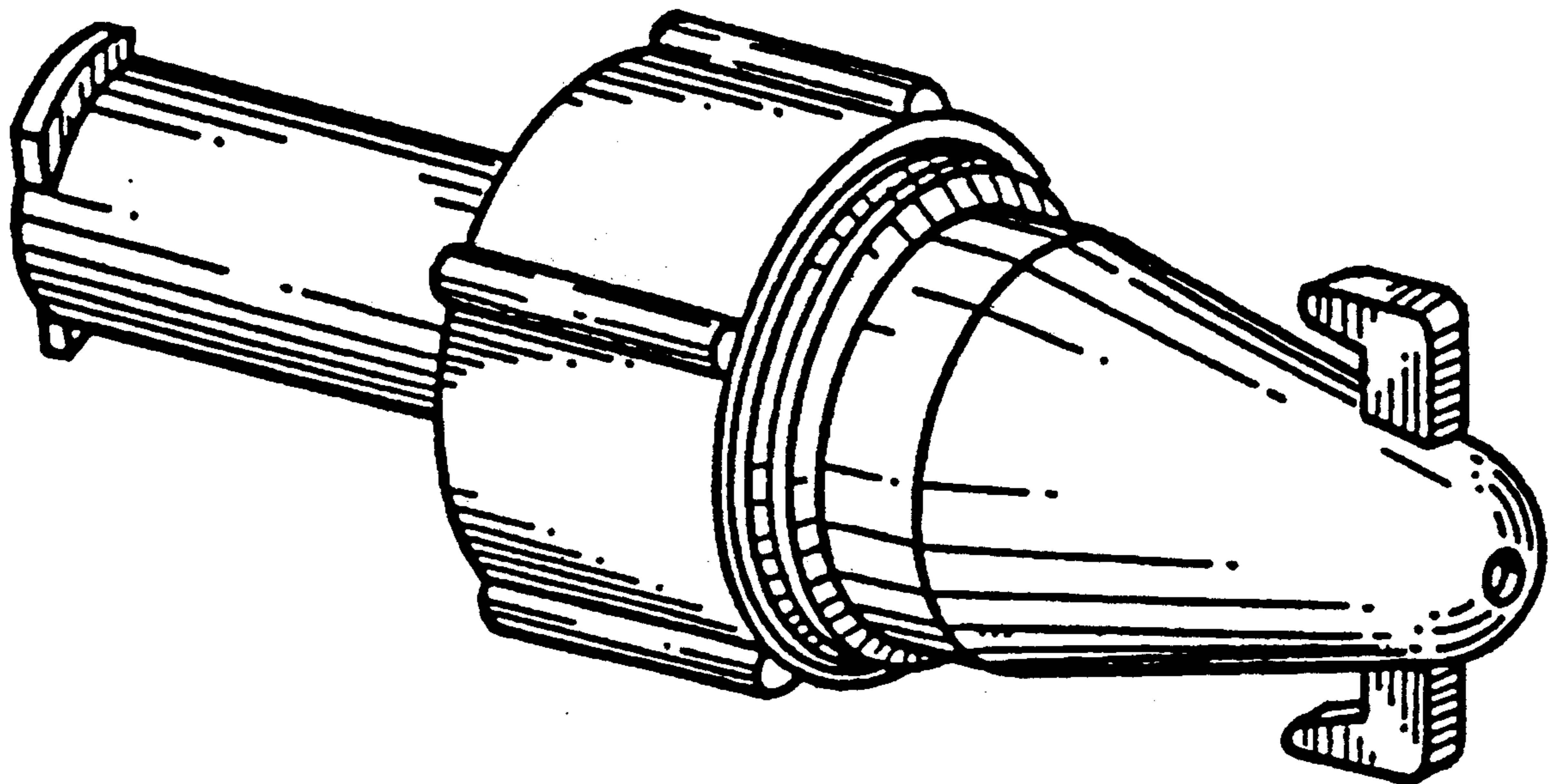
Primary Examiner—Stella Reid  
Attorney, Agent, or Firm—Thomas M. Breininger

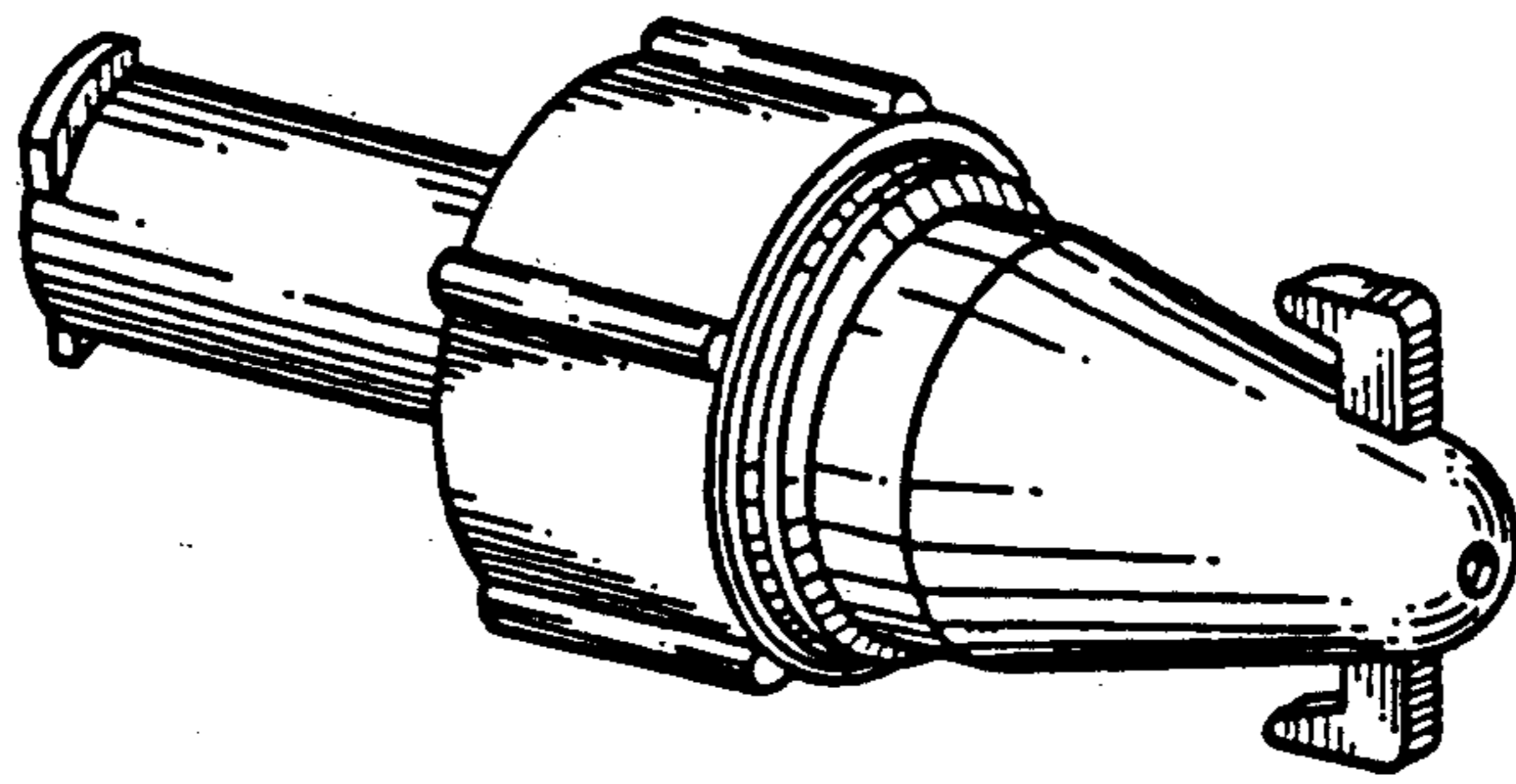
[57] CLAIM

The ornamental design for a catheter adapter, as shown  
and described.

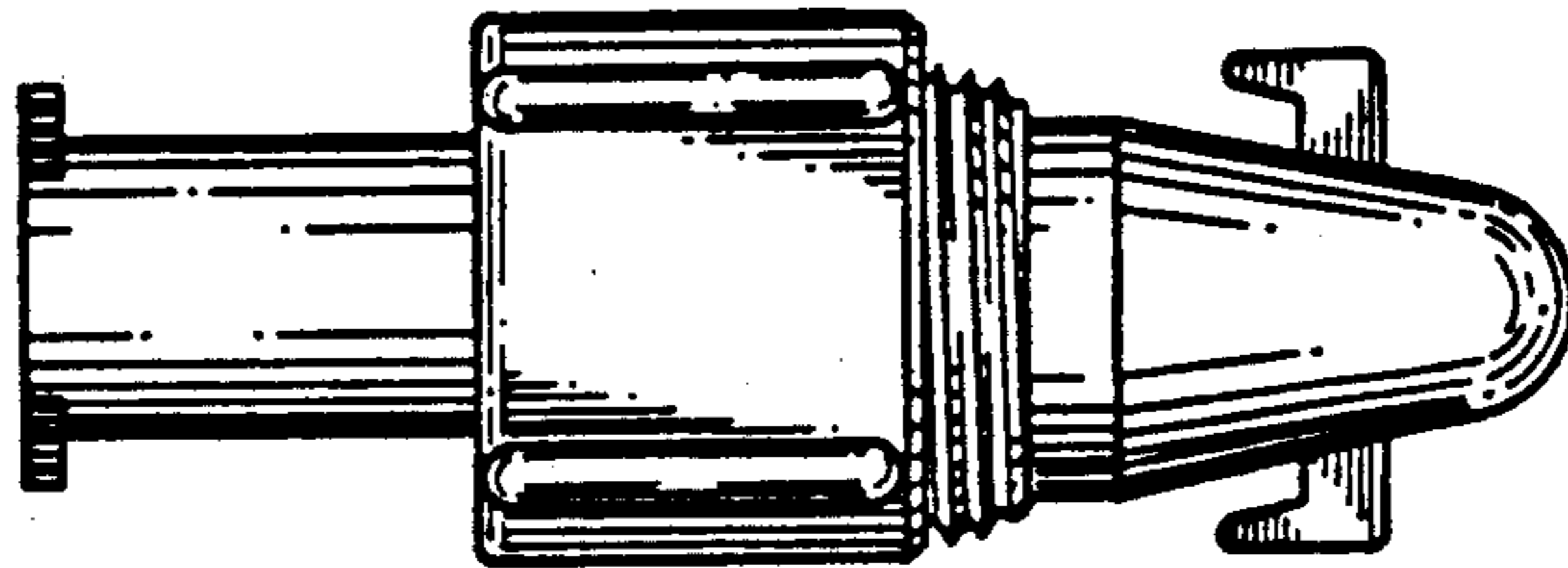
DESCRIPTION

FIG. 1 is a perspective view of a catheter adapter showing  
our new design;  
FIG. 2 is a side elevational view thereof, the opposite  
side view being a mirror image thereof;  
FIG. 3 is a left end elevational view thereof;  
FIG. 4 is a right end elevational view thereof; and,  
FIG. 5 is a top plan view thereof, the bottom plan view  
being a mirror image thereof.

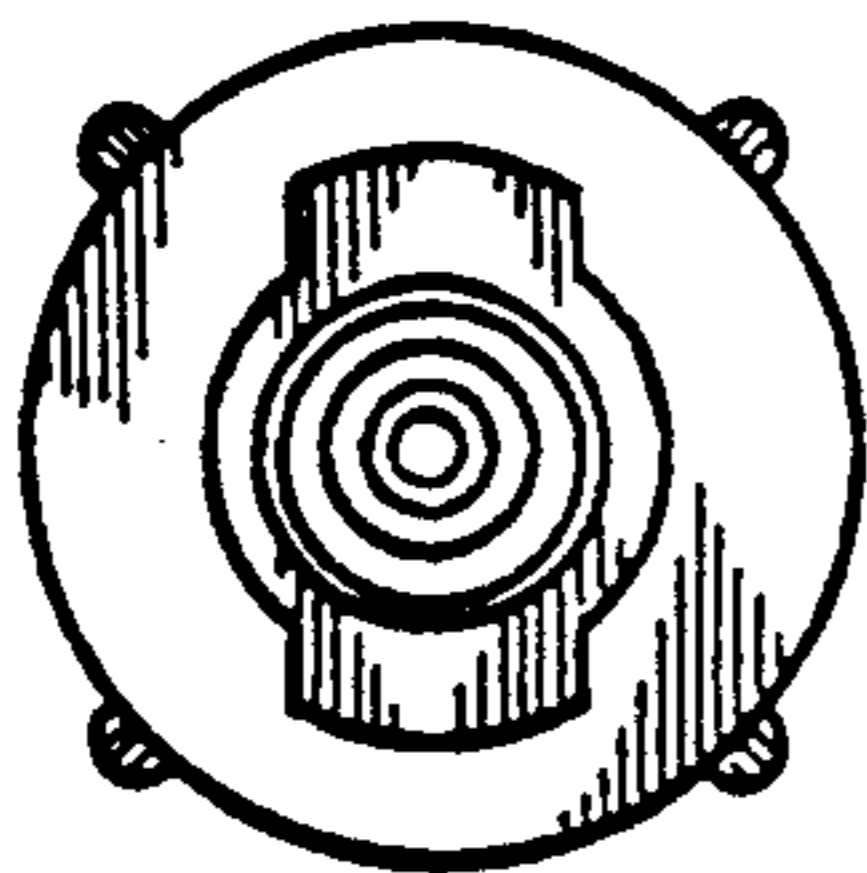




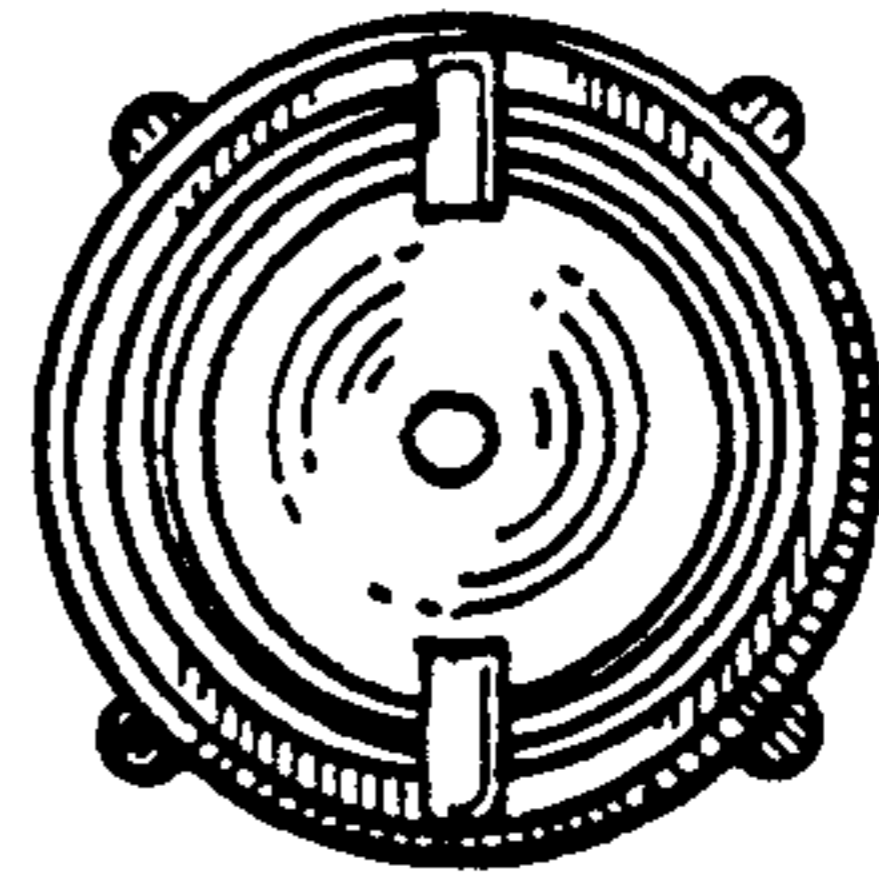
*Fig. 1*



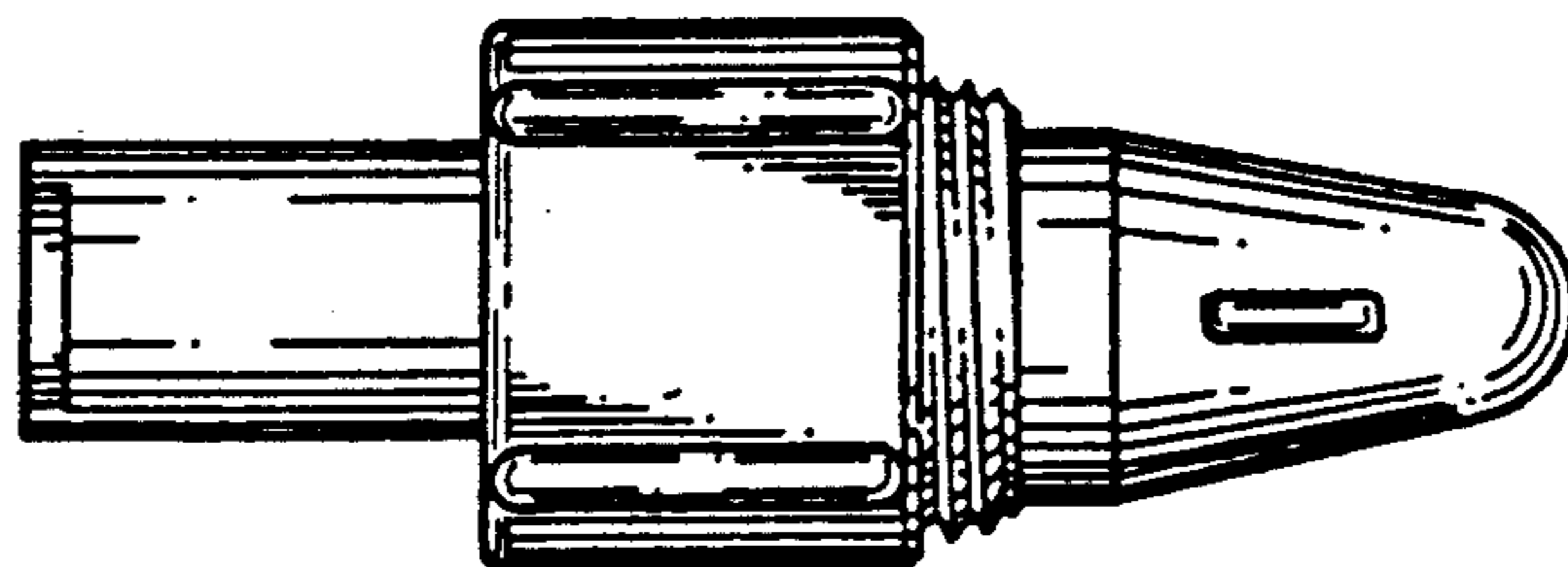
*Fig. 2*



*Fig. 3*



*Fig. 4*



*Fig. 5*