



US00D343895S

United States Patent [19]

Lawing et al.

[11] Patent Number: **Des. 343,895**

[45] Date of Patent: **** Feb. 1, 1994**

[54] **AUTOMATIC ATMOSPHERE
CONDITIONER**

[75] Inventors: **M. Edward Lawing**, San Diego,
Calif.; **Deane W. Richardson**,
Worthington, Ohio; **James S. Couch**,
Powell, Ohio; **Mark J. Ciesko**,
Westerville, Ohio

[73] Assignee: **Norm Pacific Automation Corp.**,
Hsien, Taiwan

[**] Term: **14 Years**

[21] Appl. No.: **752,315**

[22] Filed: **Aug. 30, 1991**

[52] U.S. Cl. **D23/353; D23/328**

[58] Field of Search **62/262, 263; 454/201;**
D23/328, 333, 385, 351-354, 370, 371, 381

[56] **References Cited**

U.S. PATENT DOCUMENTS

D. 173,472 11/1954 Budlong D23/353
D. 268,952 5/1983 Anderson D23/385
4,607,499 8/1986 Bolton et al. 62/262

Primary Examiner—Wallace R. Burke
Assistant Examiner—Lisa Lichtenstein
Attorney, Agent, or Firm—Townsend and Townsend,
Khourie and Crew

[57] **CLAIM**

The ornamental design for an automatic atmosphere conditioner, as shown.

DESCRIPTION

FIG. 1 is a perspective view of an automatic atmosphere conditioner, showing our new design;
FIG. 2 is a front view thereof;
FIG. 3 is a back view thereof;
FIG. 4 is a right side view thereof;
FIG. 5 is a left side view thereof;
FIG. 6 is a top plan view thereof; and,
FIG. 7 is a bottom plan view thereof.

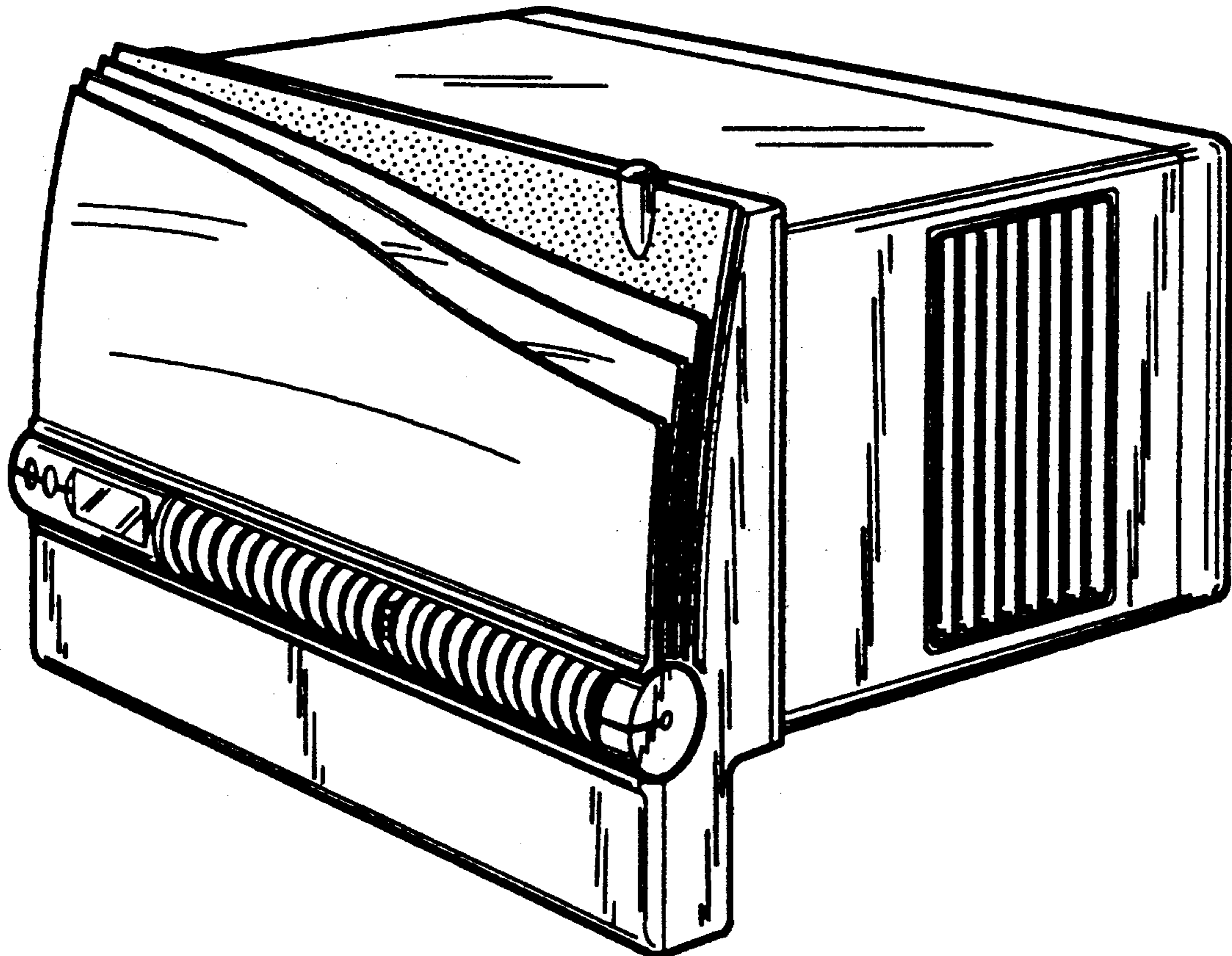


FIG. 1

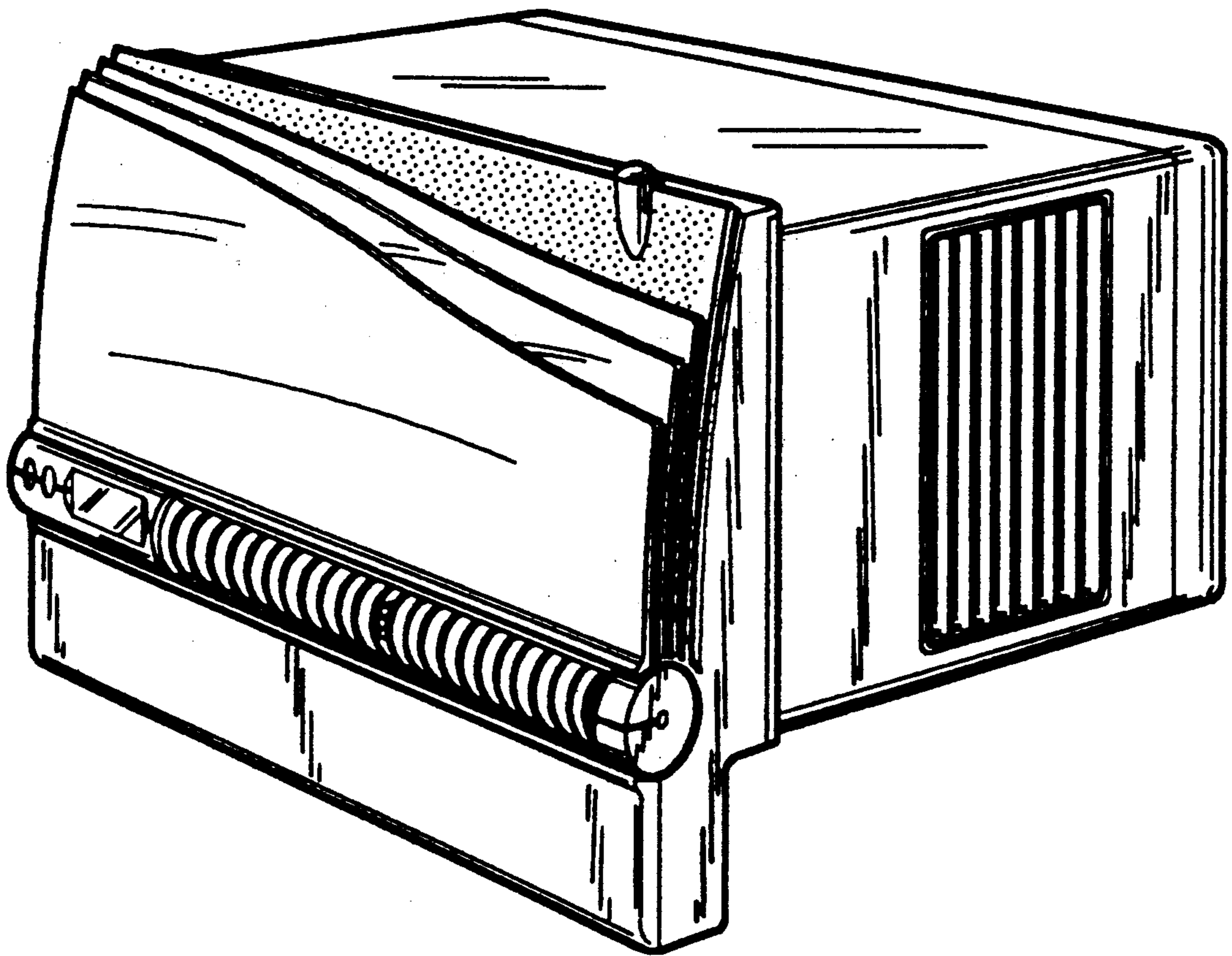


FIG.2

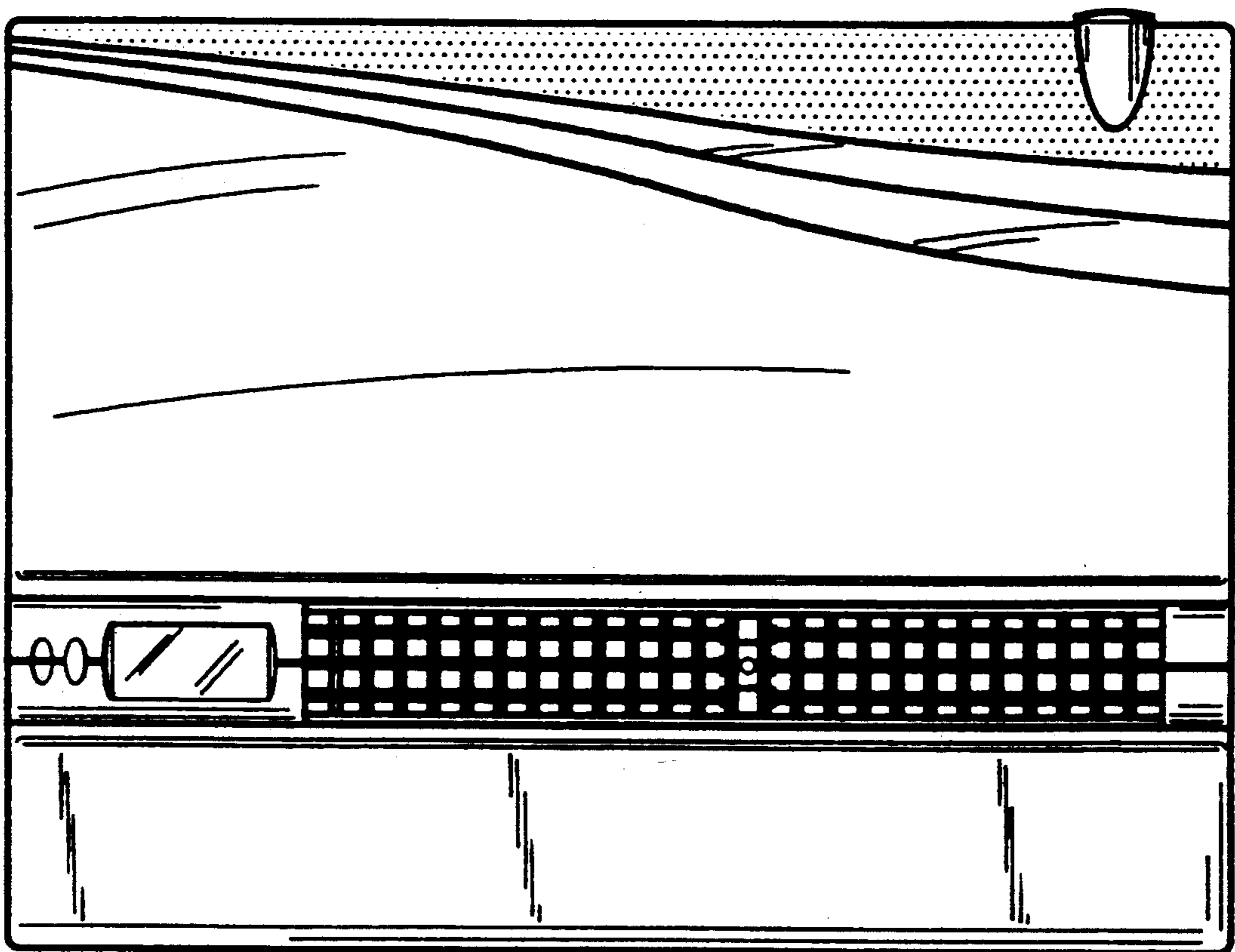


FIG. 3

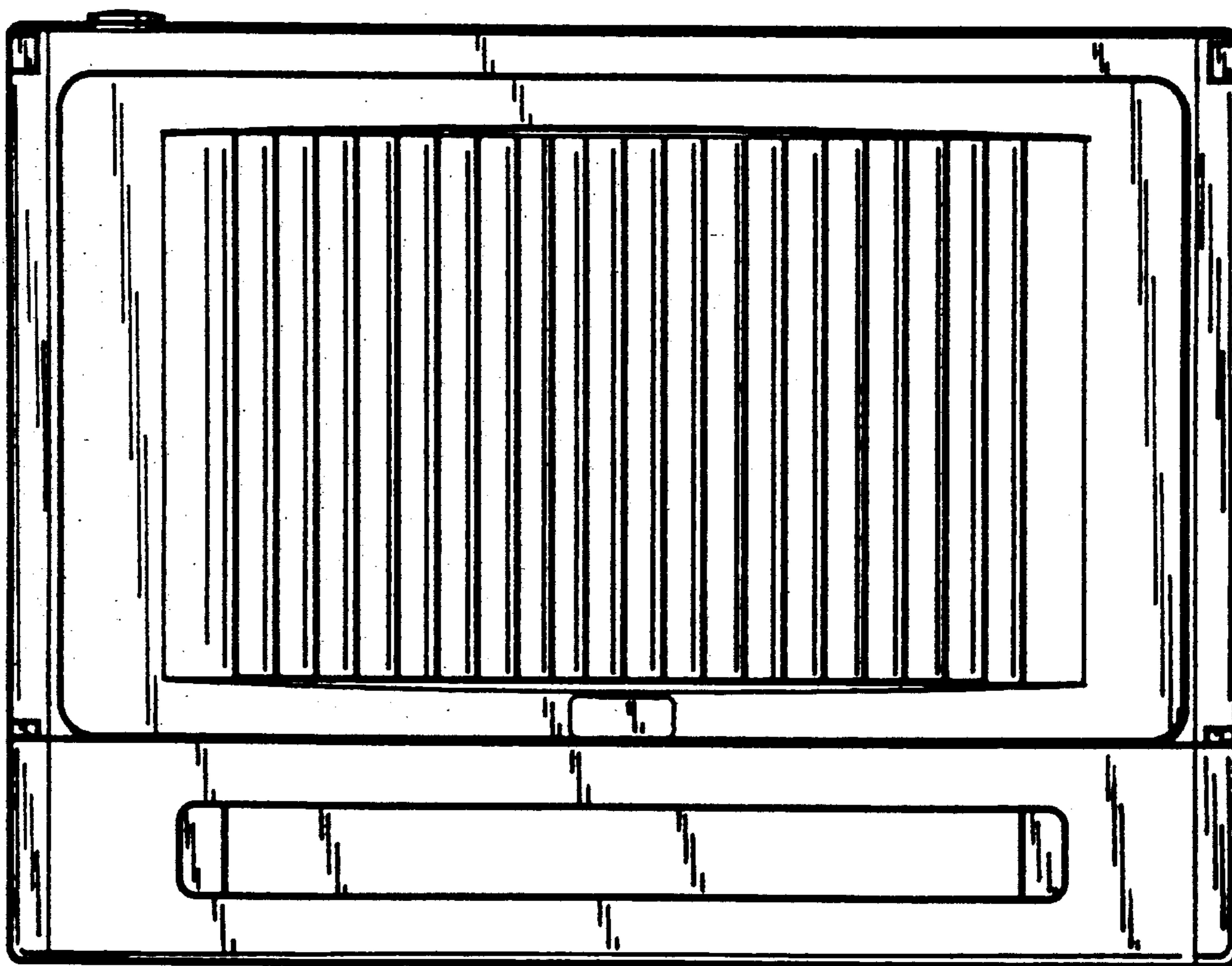


FIG. 4

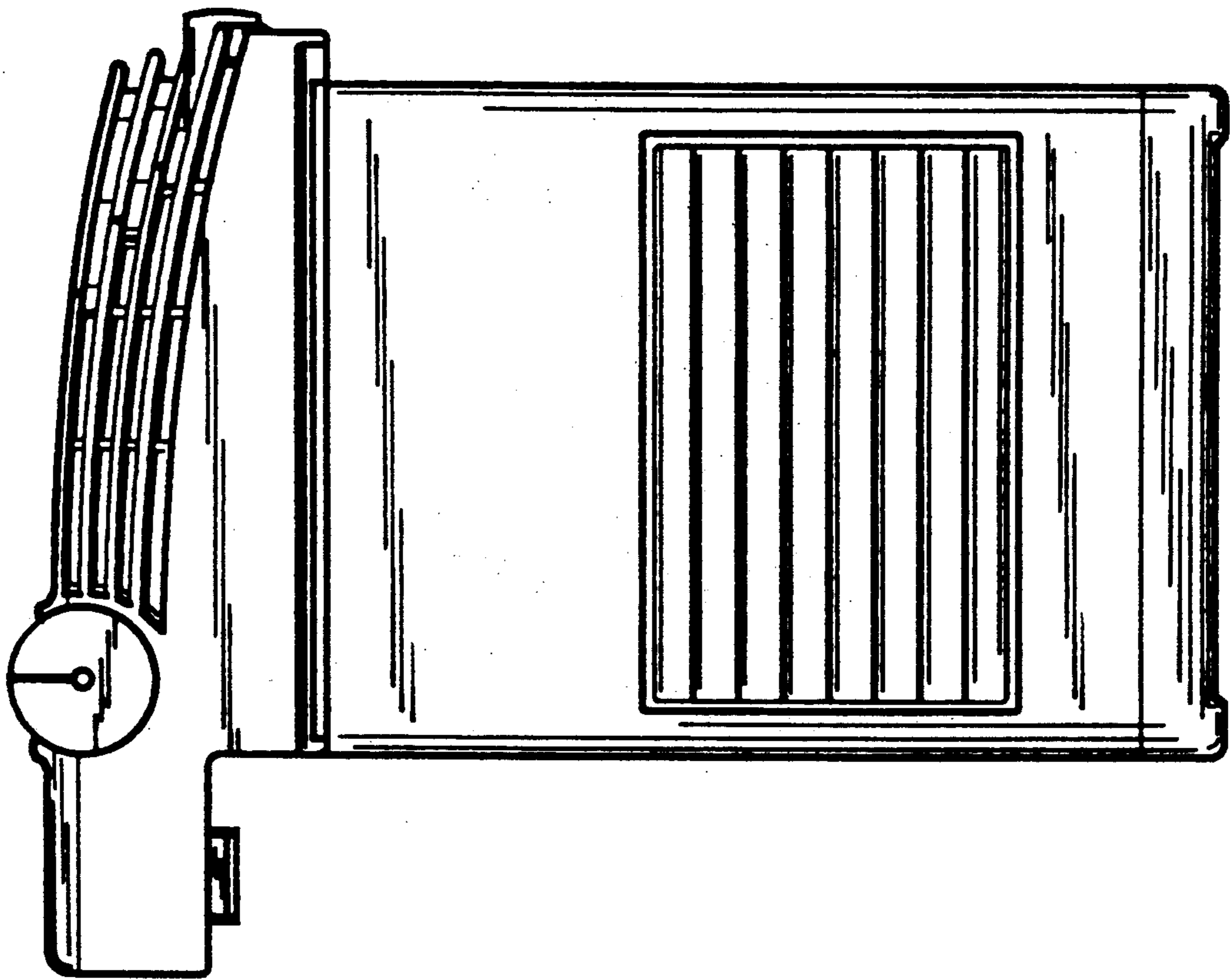


FIG. 5

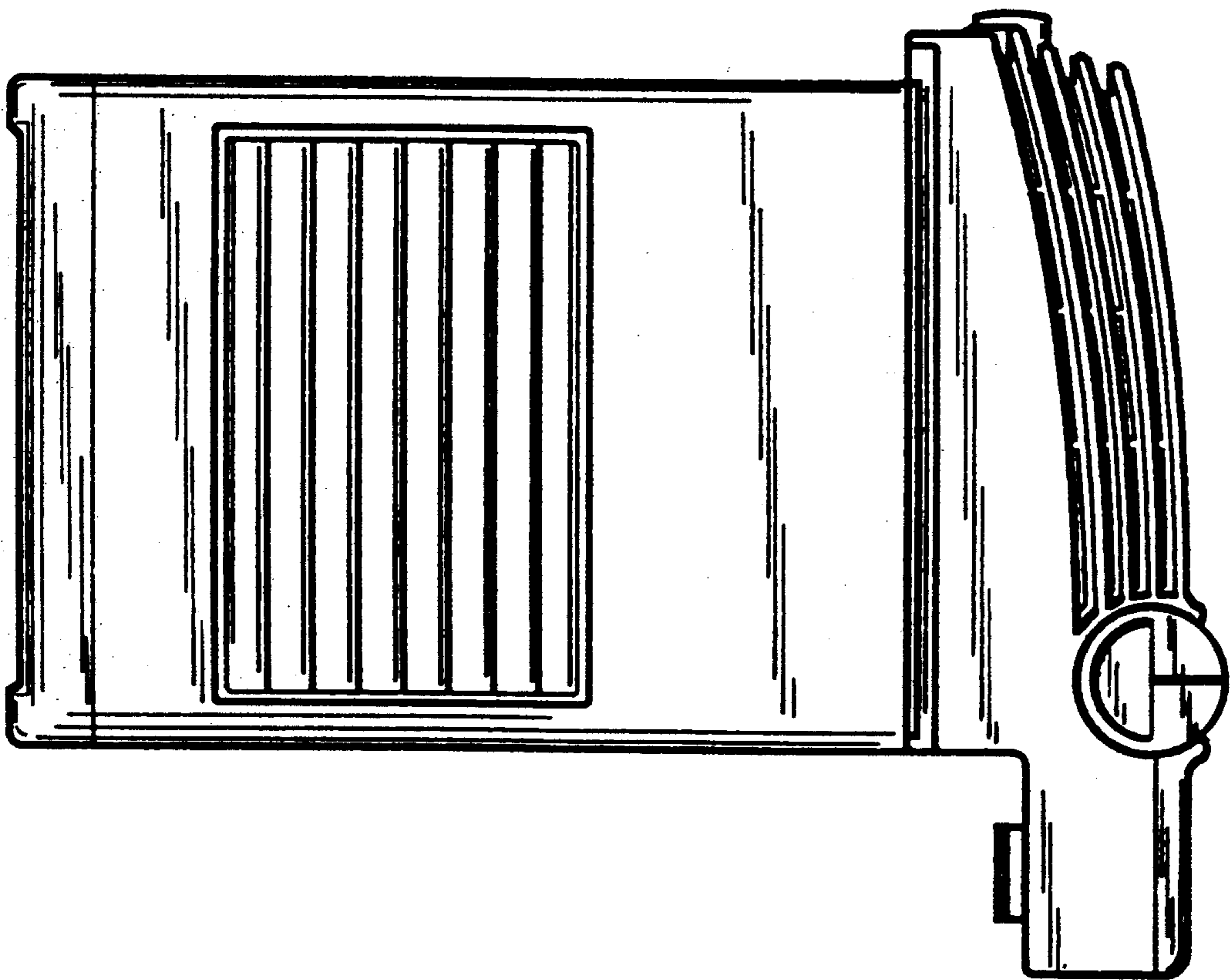


FIG. 6

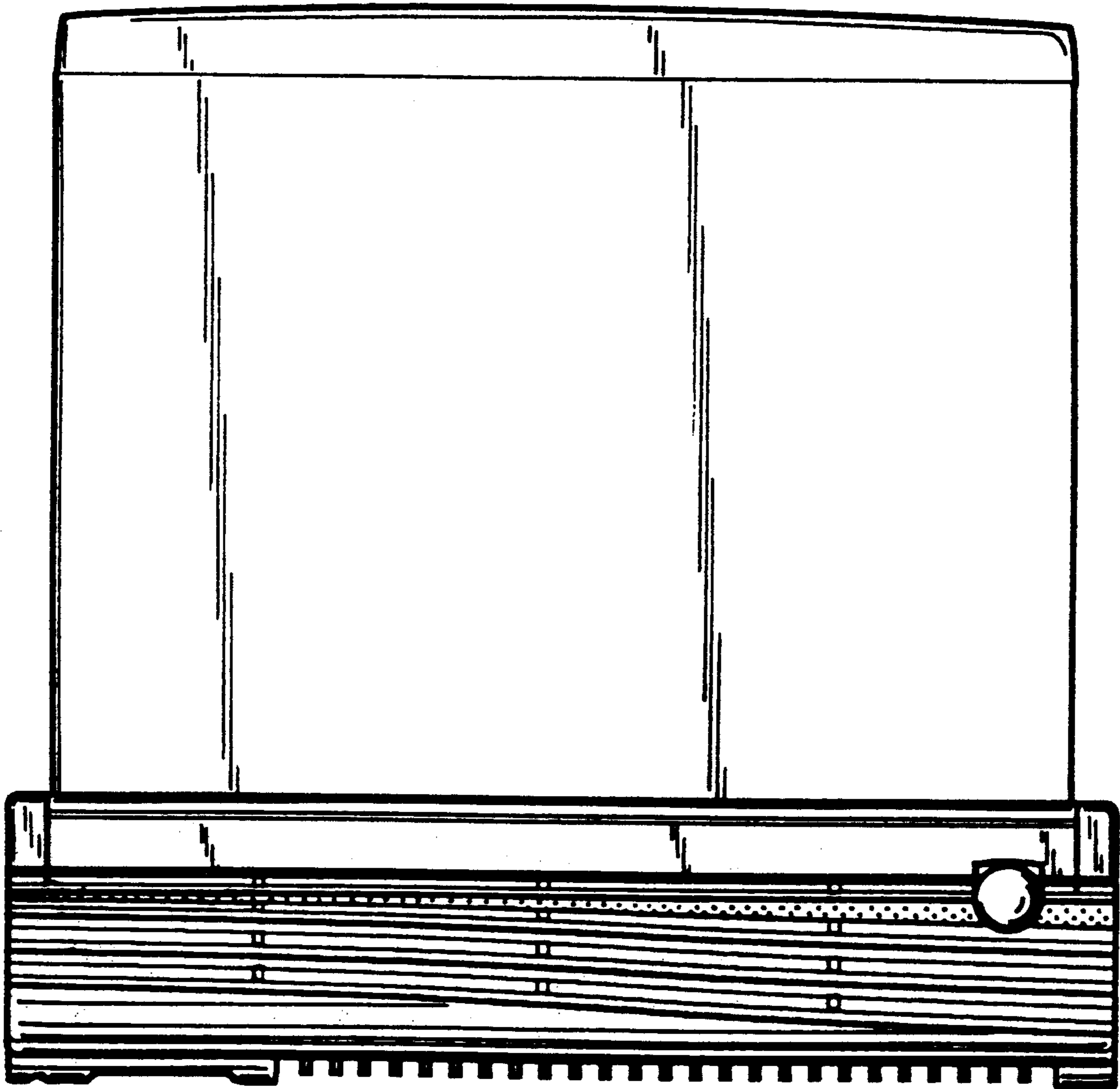


FIG. 7

