



US00D343892S

# United States Patent [19]

Chen

[11] Patent Number: **Des. 343,892**

[45] Date of Patent: **\*\* Feb. 1, 1994**

[54] TOILET

[75] Inventor: **Shyh-Shin Chen, Taipei, Taiwan**

[73] Assignee: **Hocheng Pottery Mfg. Co., Ltd., Taipei, Taiwan**

[\*\*] Term: **14 Years**

[21] Appl. No.: **808,271**

[22] Filed: **Dec. 16, 1991**

[52] U.S. Cl. .... **D23/301**

[58] Field of Search ..... **4/329-332, 4/420; D23/295-301, 309-312**

[56] **References Cited**

### U.S. PATENT DOCUMENTS

D. 95,733	5/1935	Duncan, Jr. ....	D23/301
D. 199,235	9/1964	Tiller .....	D23/301
D. 224,108	7/1972	Doman .....	D23/301
D. 247,913	5/1978	Whitney .....	D23/301
D. 261,799	11/1981	Alger .....	D23/301

D. 264,620	5/1982	Kaiser .....	D23/301
D. 268,780	4/1983	Doman et al. ....	D23/301
D. 311,435	10/1990	Cheng .....	D23/301
3,860,973	1/1975	Uyeda et al. ....	4/332
3,932,901	1/1976	Inui et al. ....	4/332
4,041,554	8/1977	Gregory et al. ....	4/420

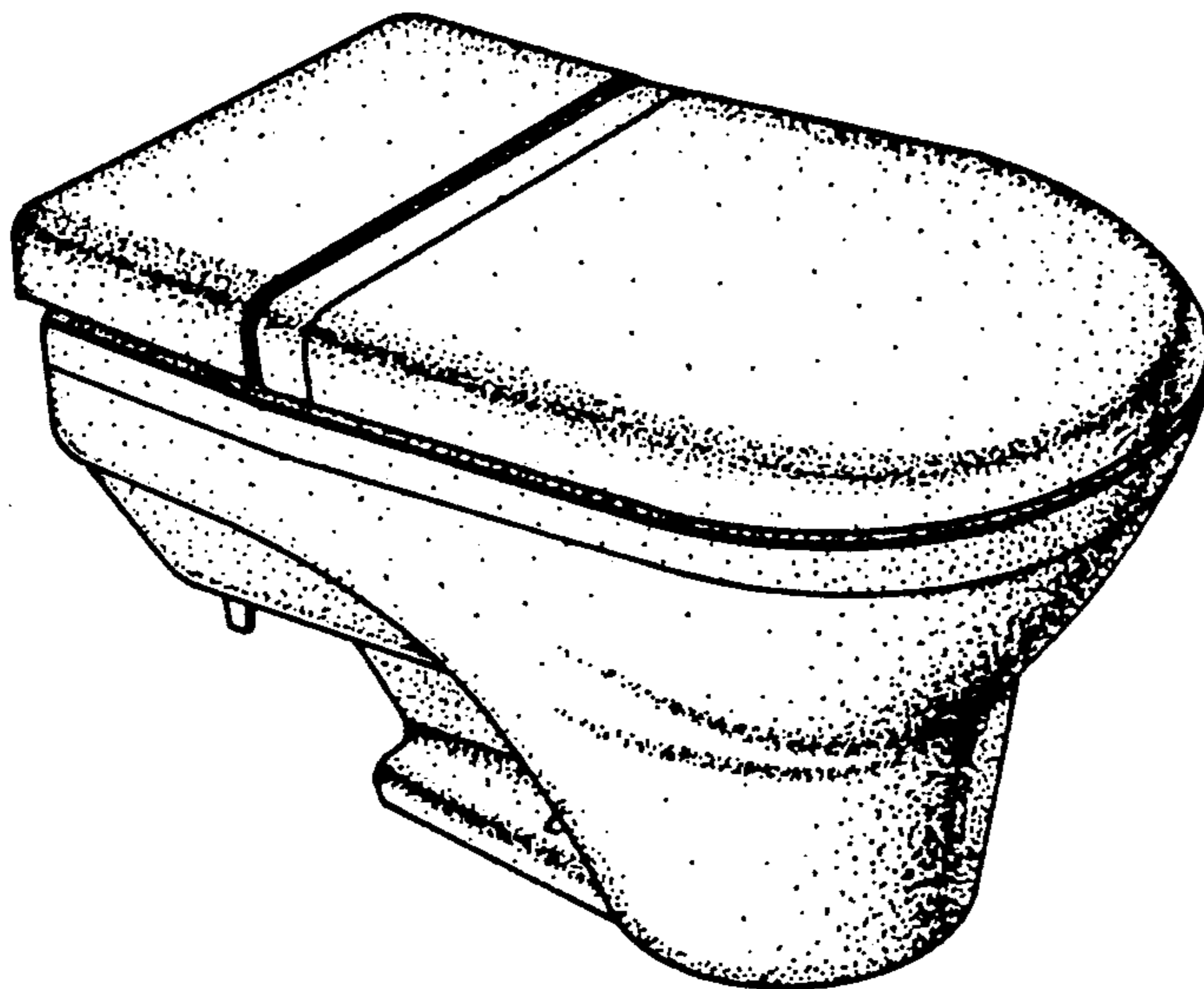
*Primary Examiner*—James R. Largen  
*Attorney, Agent, or Firm*—Morgan & Finnegan

### [57] CLAIM

The ornamental design for toilet, as shown and described.

### DESCRIPTION

FIG. 1 is a front elevational view of a toilet showing my new design;  
 FIG. 2 is a rear elevational view thereof;  
 FIG. 3 is a left side elevational view thereof;  
 FIG. 4 is a right side elevational view thereof;  
 FIG. 5 is a top plan view thereof;  
 FIG. 6 is a bottom plan view thereof; and,  
 FIG. 7 is a perspective view thereof.



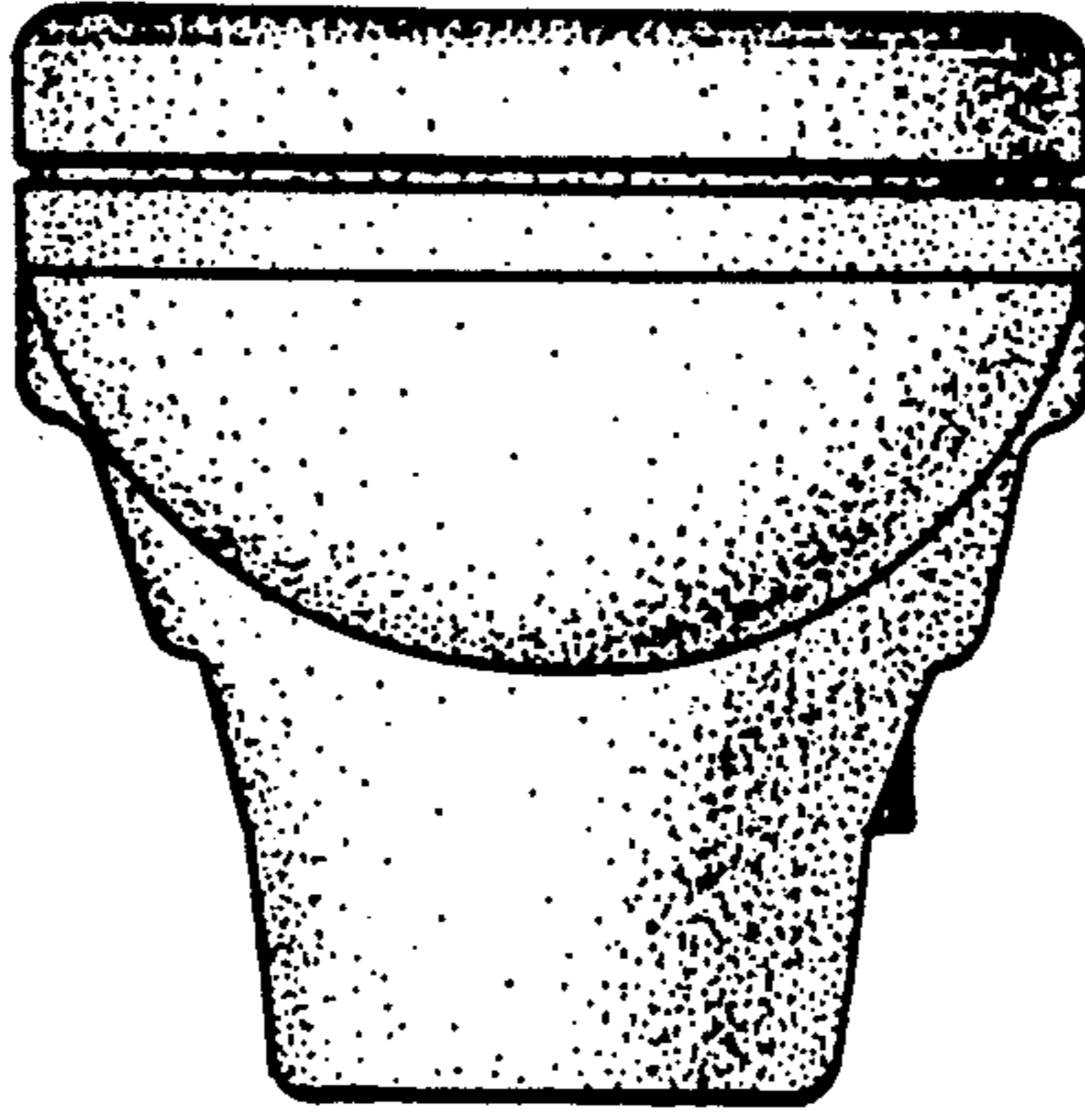


FIG. 1

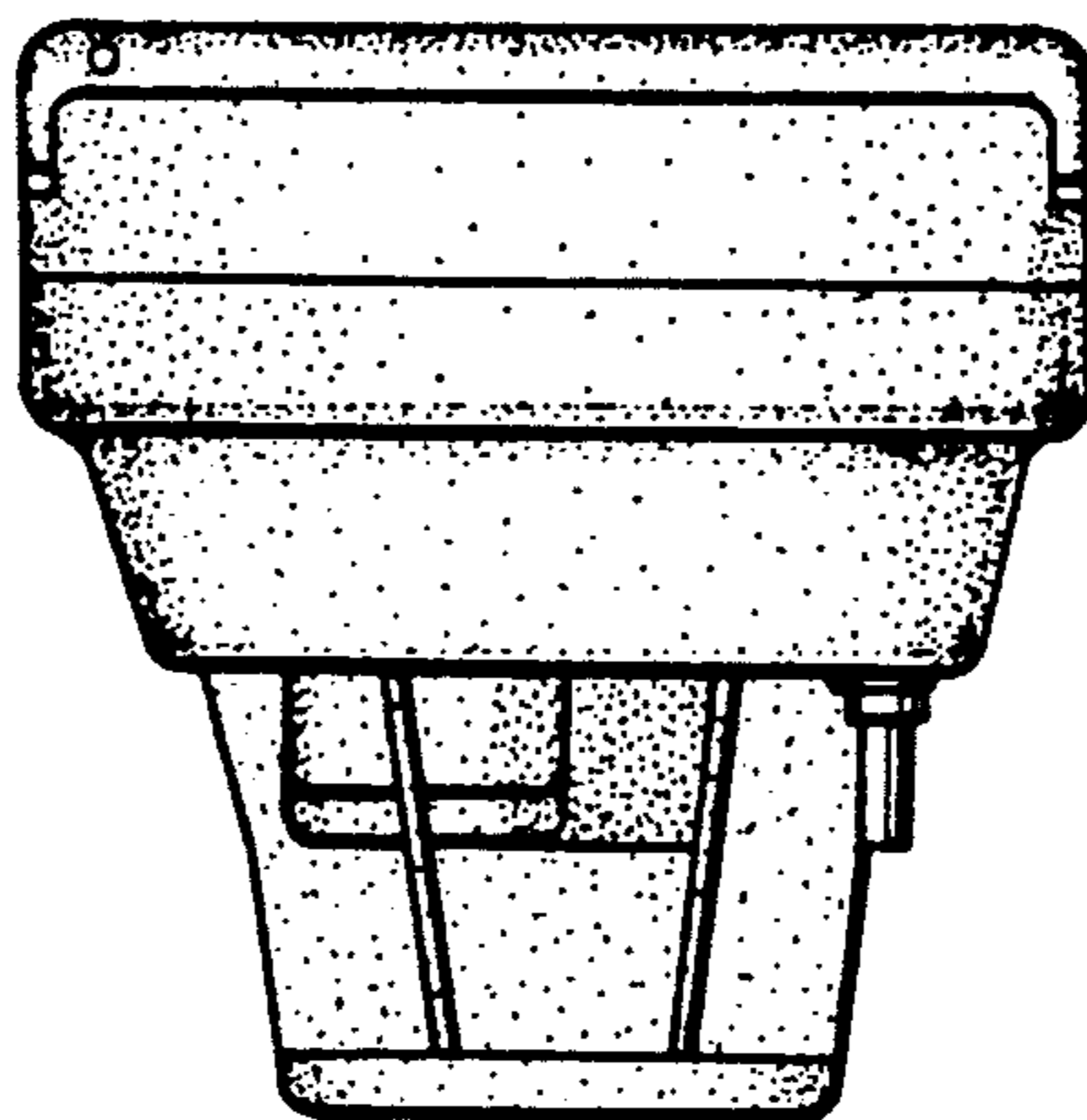


FIG. 2

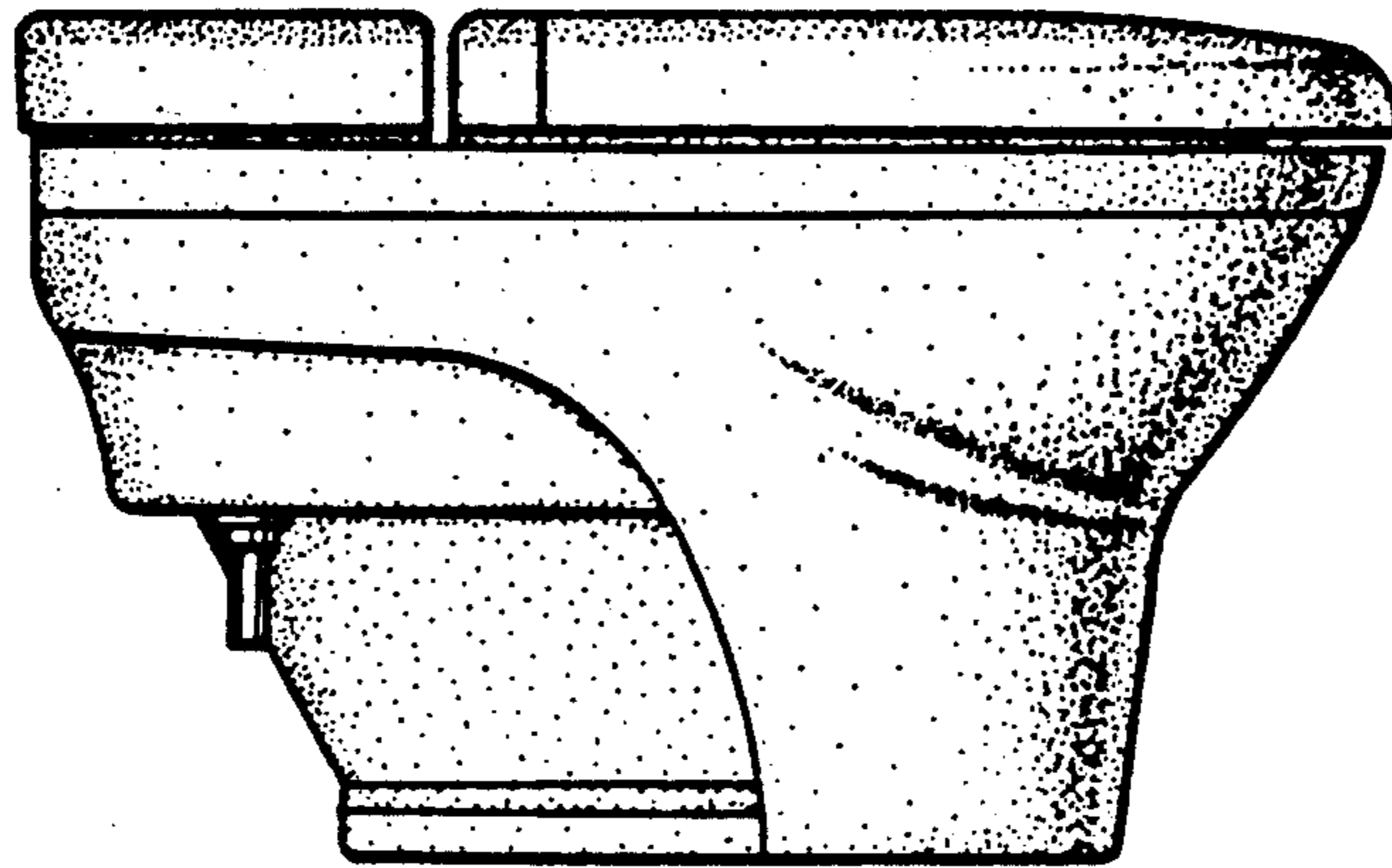


FIG. 3

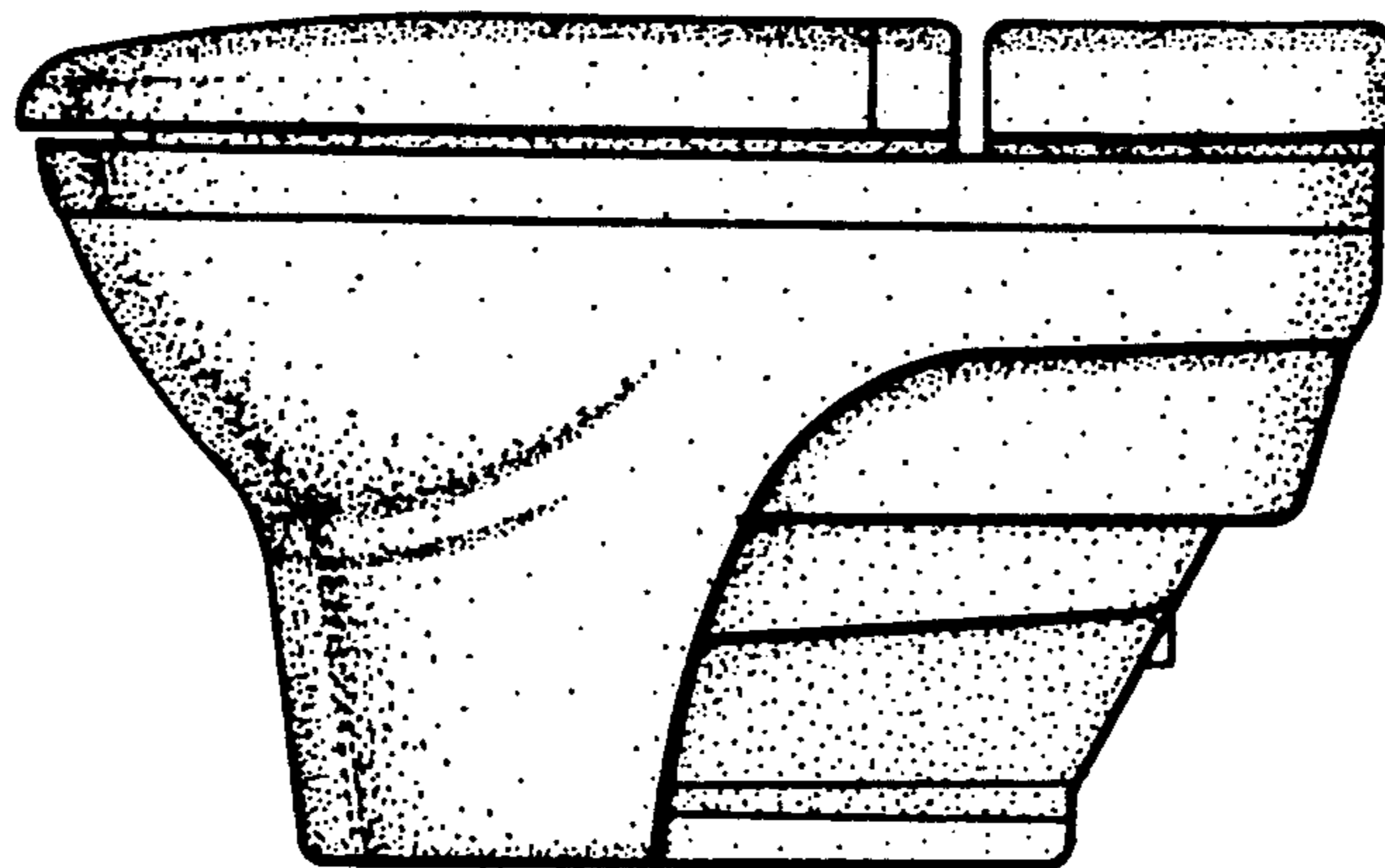


FIG. 4

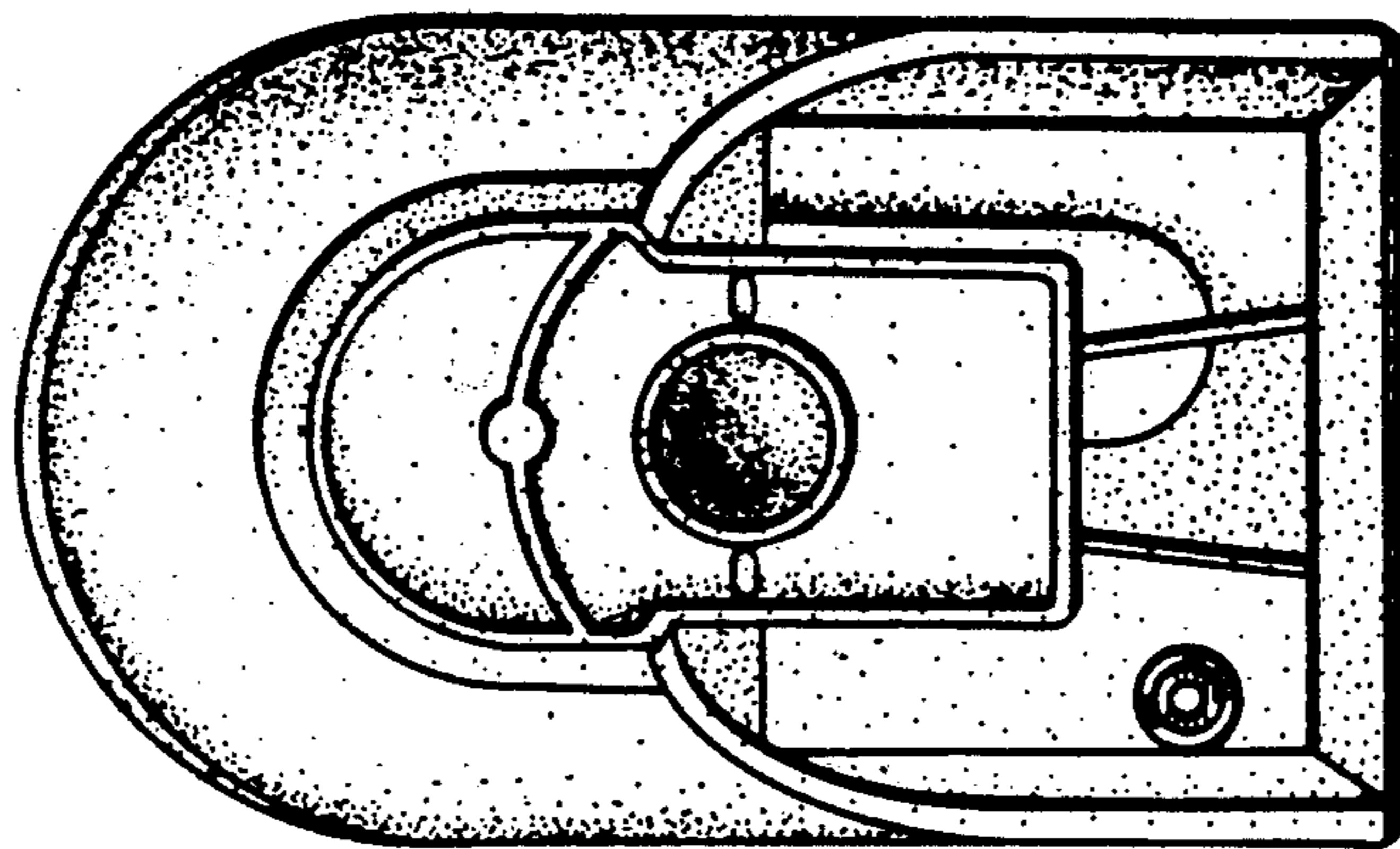


FIG. 6

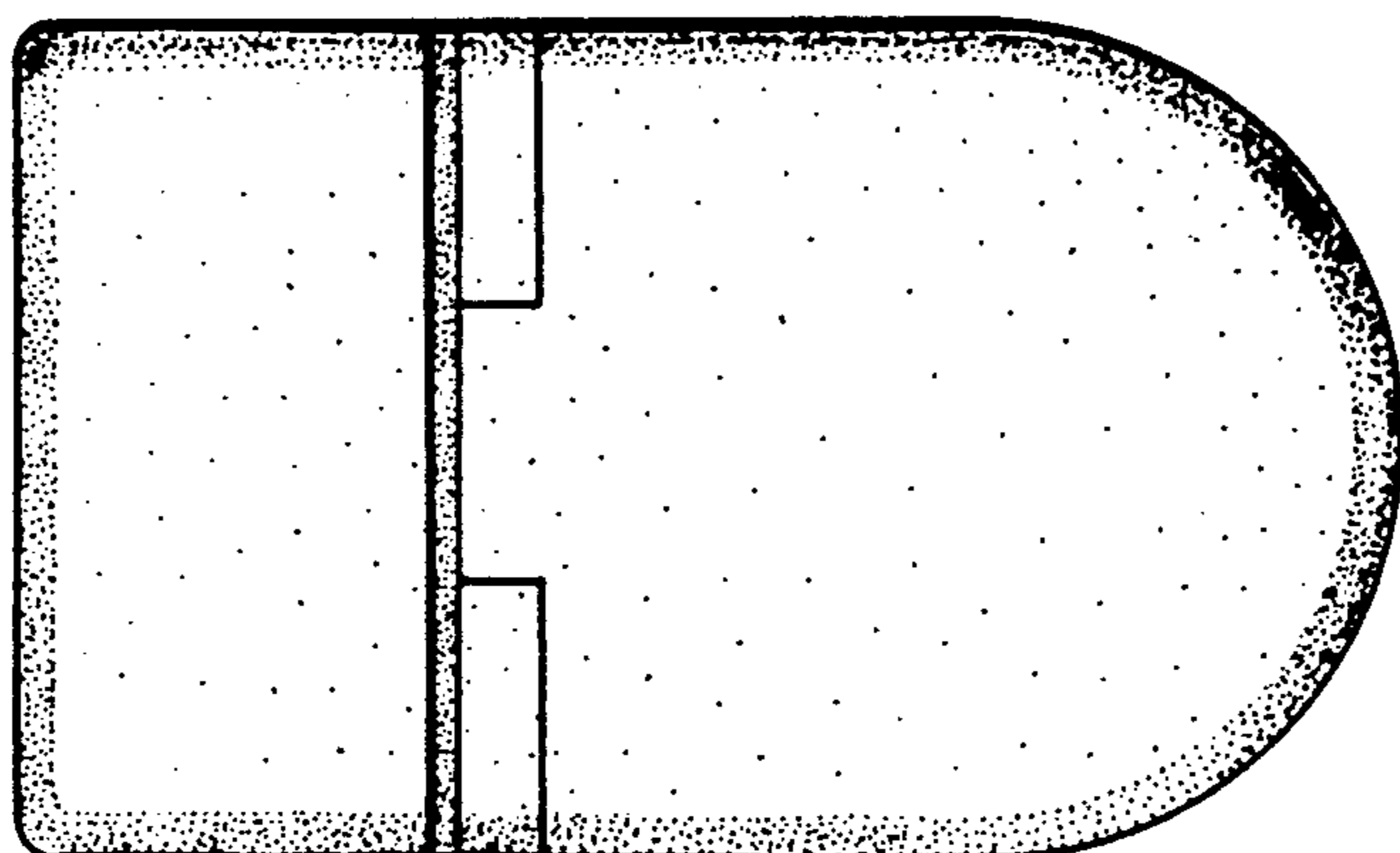


FIG. 5

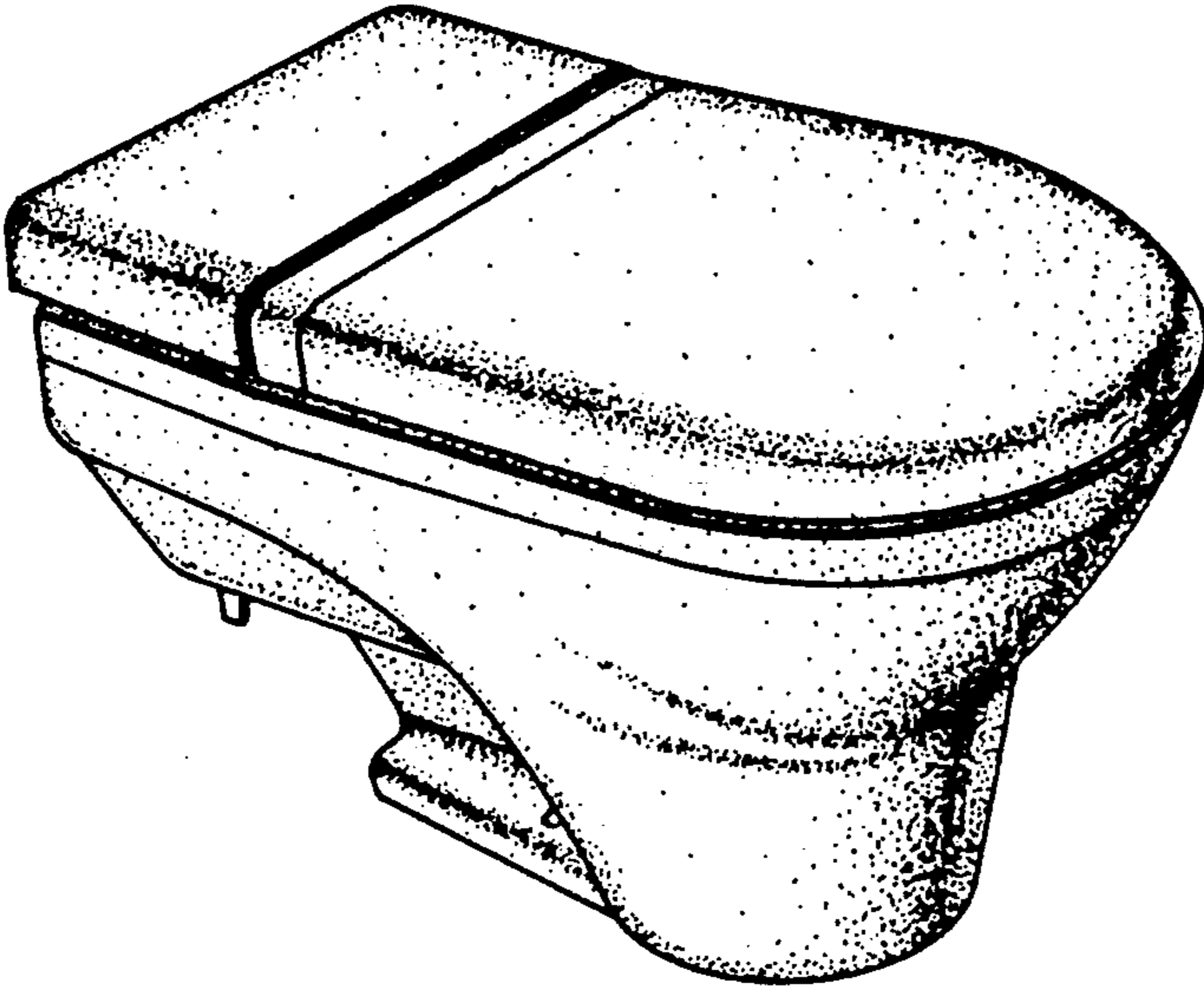


FIG. 7