



US00D343889S

# United States Patent [19]

[11] Patent Number: **Des. 343,889**

**Stonecypher**

[45] Date of Patent: **\*\* Feb. 1, 1994**

[54] **PLUMBING SPLIT FITTING**

[76] Inventor: **Bobby B. Stonecypher, 1383 Fohlander Dr. S., Columbus, Ohio 43229**

[\*\*] Term: **14 Years**

[21] Appl. No.: **700,928**

[22] Filed: **May 16, 1991**

[52] U.S. Cl. .... **D23/263**

[58] Field of Search ..... **285/156, 197, 419; D23/262-264**

4,239,265	12/1980	King, Sr. ....	285/197
4,626,001	12/1986	Lee .....	285/173
4,915,424	4/1990	Sarno .....	285/156
5,007,666	4/1991	Kytes .....	285/156

**FOREIGN PATENT DOCUMENTS**

854005	7/1949	Fed. Rep. of Germany .
39455	11/1934	Netherlands .

**OTHER PUBLICATIONS**

Disclosure Document, No. 273269, received Feb. 5, 1991.

*Primary Examiner*—James R. Largen  
*Attorney, Agent, or Firm*—Terry M. Gernstein

[56] **References Cited**

**U.S. PATENT DOCUMENTS**

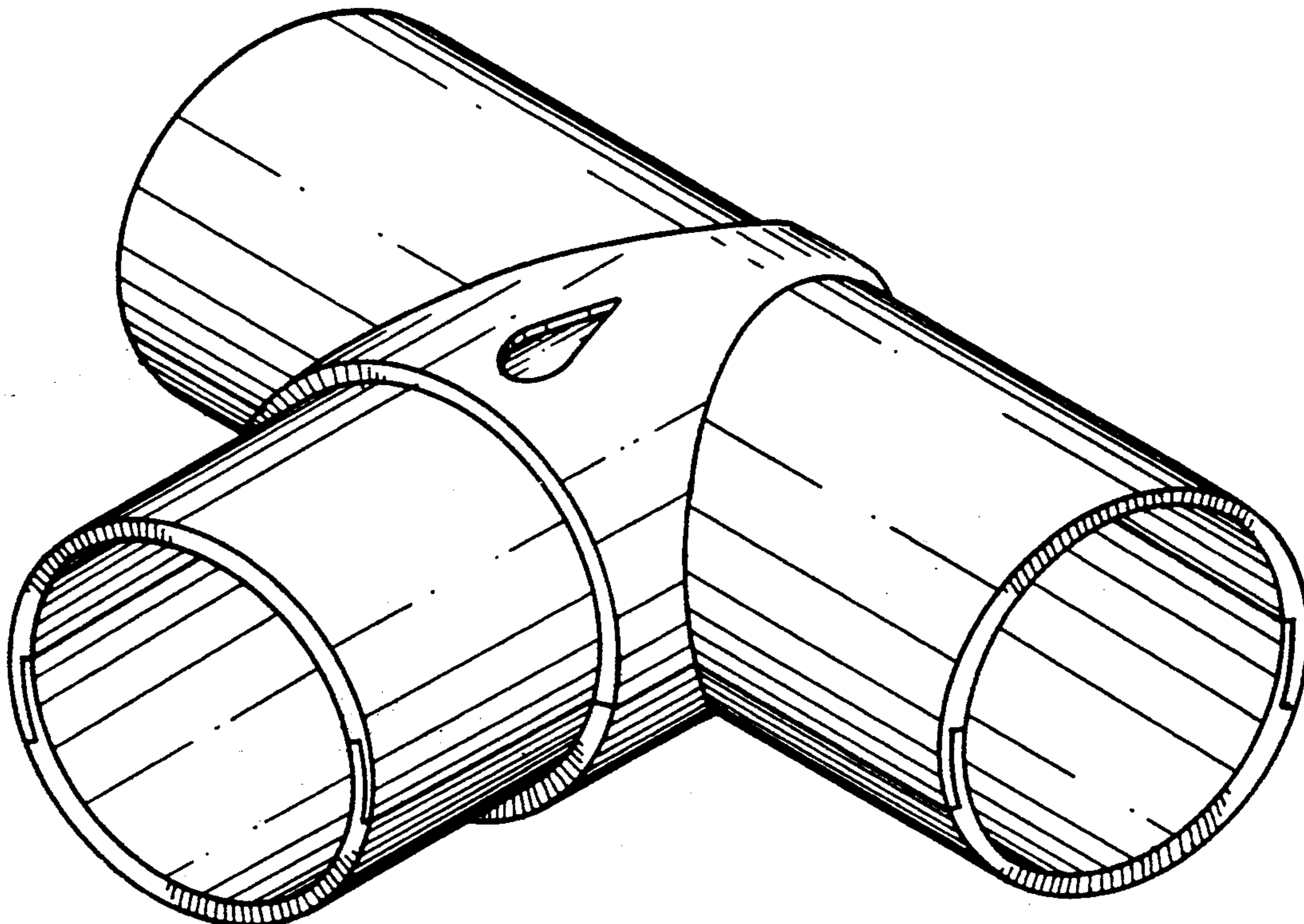
D. 135,633	5/1943	Stark et al. ....	D23/263
D. 187,207	2/1960	Jackson et al. ....	D23/263
1,261,213	4/1918	Clay .....	285/156 X
1,295,776	2/1919	McClelland .....	285/156 X
1,964,474	6/1934	Lindquist .....	285/156 X
3,132,881	5/1964	Cory .....	285/197
3,178,206	4/1965	Martin .....	285/173
3,258,822	7/1966	Schlesch et al. ....	285/197 X
3,633,943	1/1972	Ramm .....	285/156 X
3,850,459	11/1974	Blumenkranz et al. ....	285/156
3,873,391	3/1975	Plauka et al. ....	285/156 X
4,010,965	3/1977	Izuma .....	285/173
4,047,741	9/1977	Pertriaux .....	285/156 X

[57] **CLAIM**

The ornamental design for a plumbing split fitting, as shown and described.

**DESCRIPTION**

FIG. 1 is a perspective view of a plumbing split fitting showing my new design;  
FIG. 2 is a front elevational view thereof;  
FIG. 3 is a rear elevational view thereof;  
FIG. 4 is a side elevational view thereof, the opposite side being a mirror image of the side shown; and,  
FIG. 5 is a top plan view thereof, the bottom being a mirror image of the top shown.



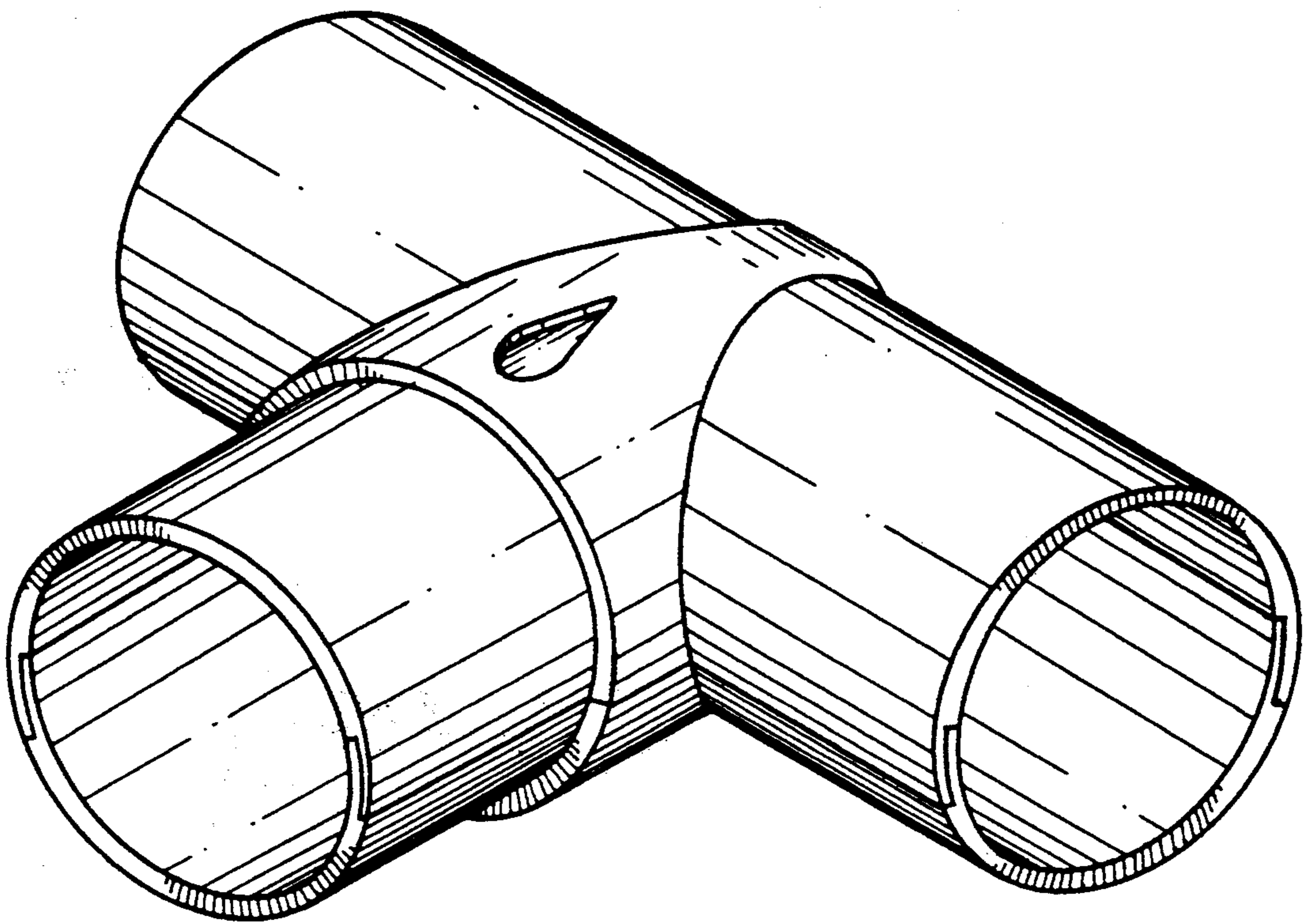


FIG. 1.

FIG. 2.

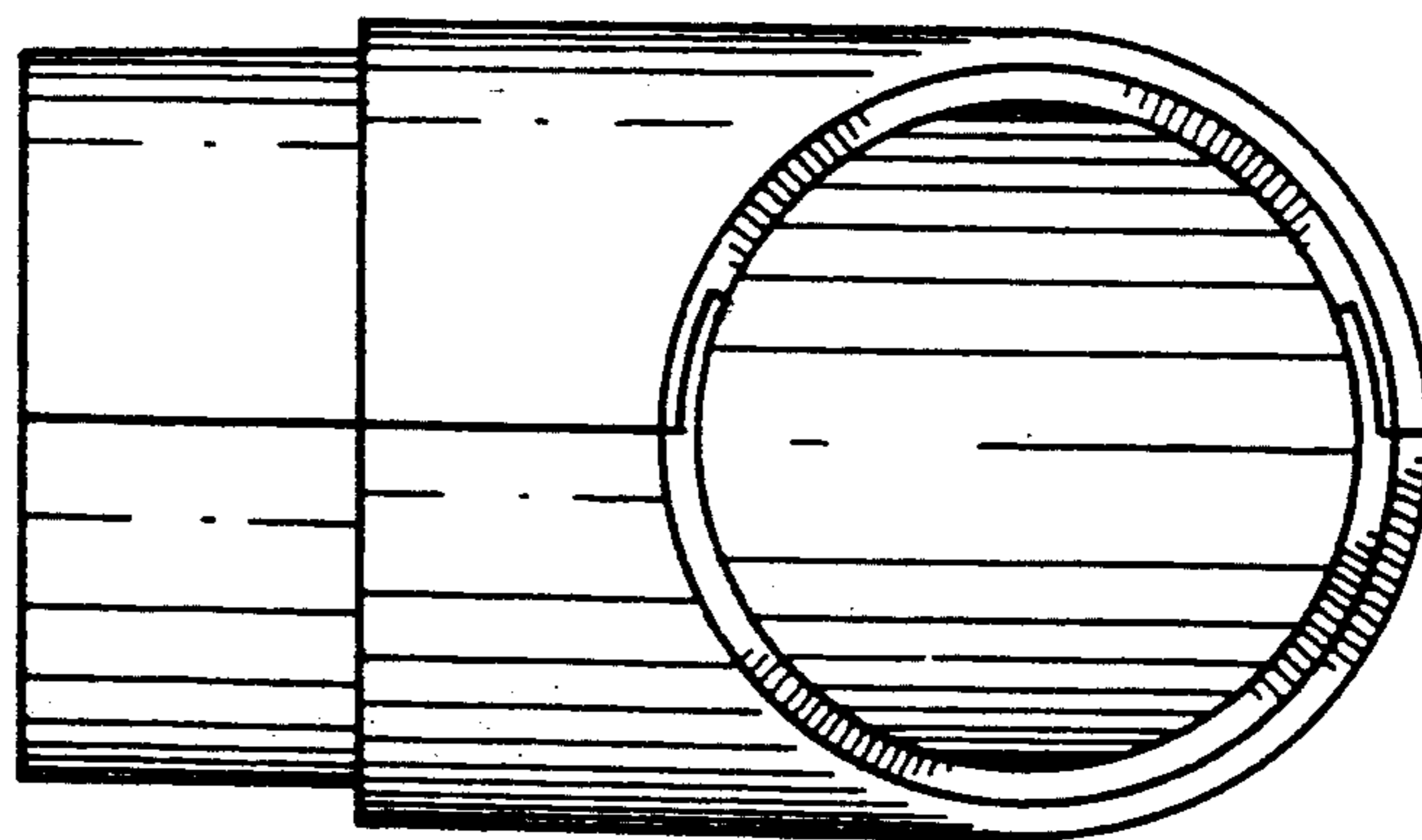
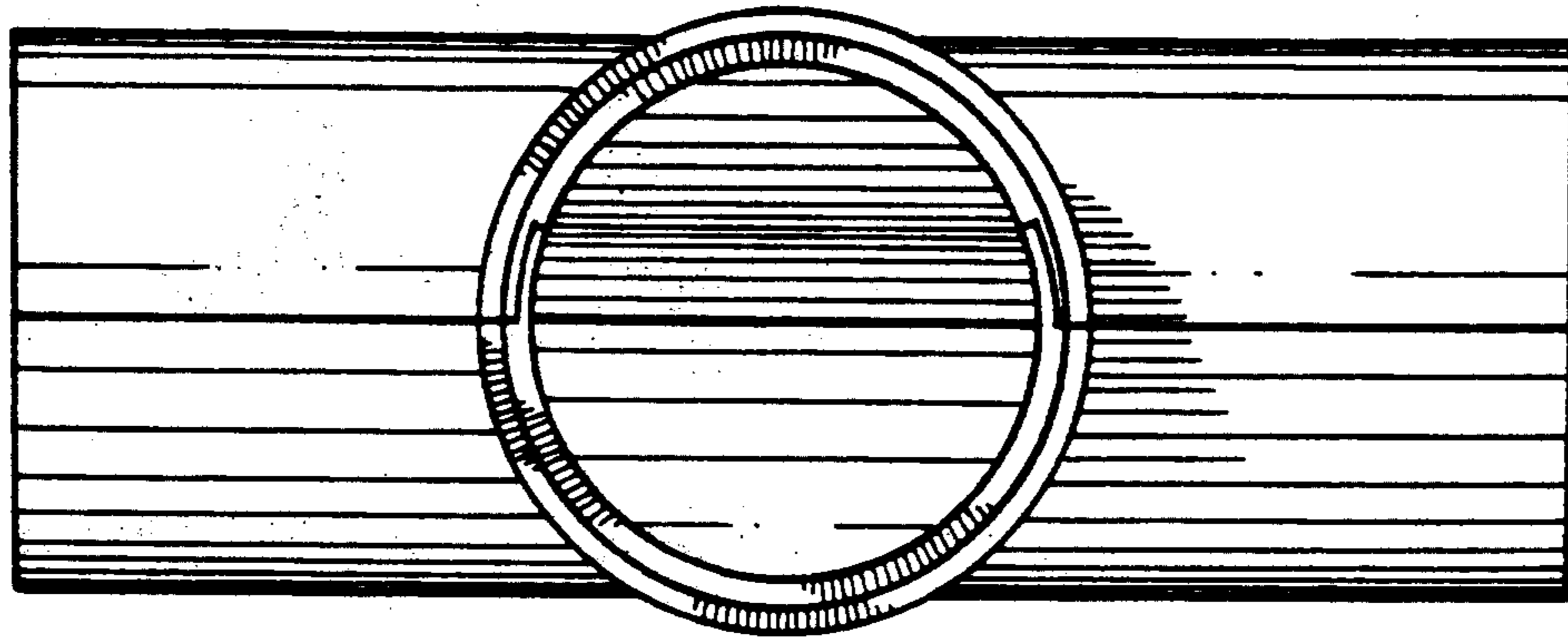


FIG. 4.

FIG. 3.

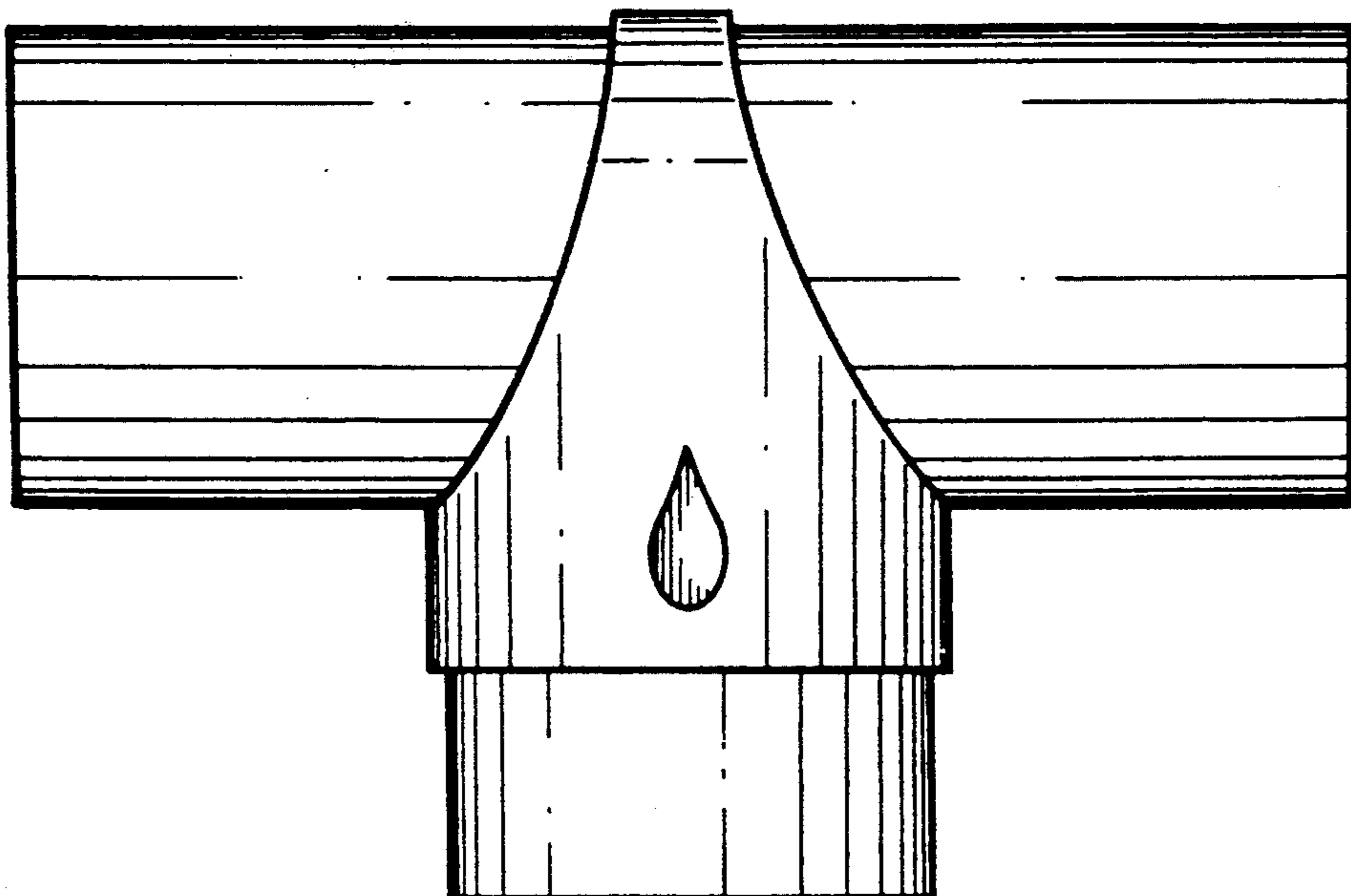
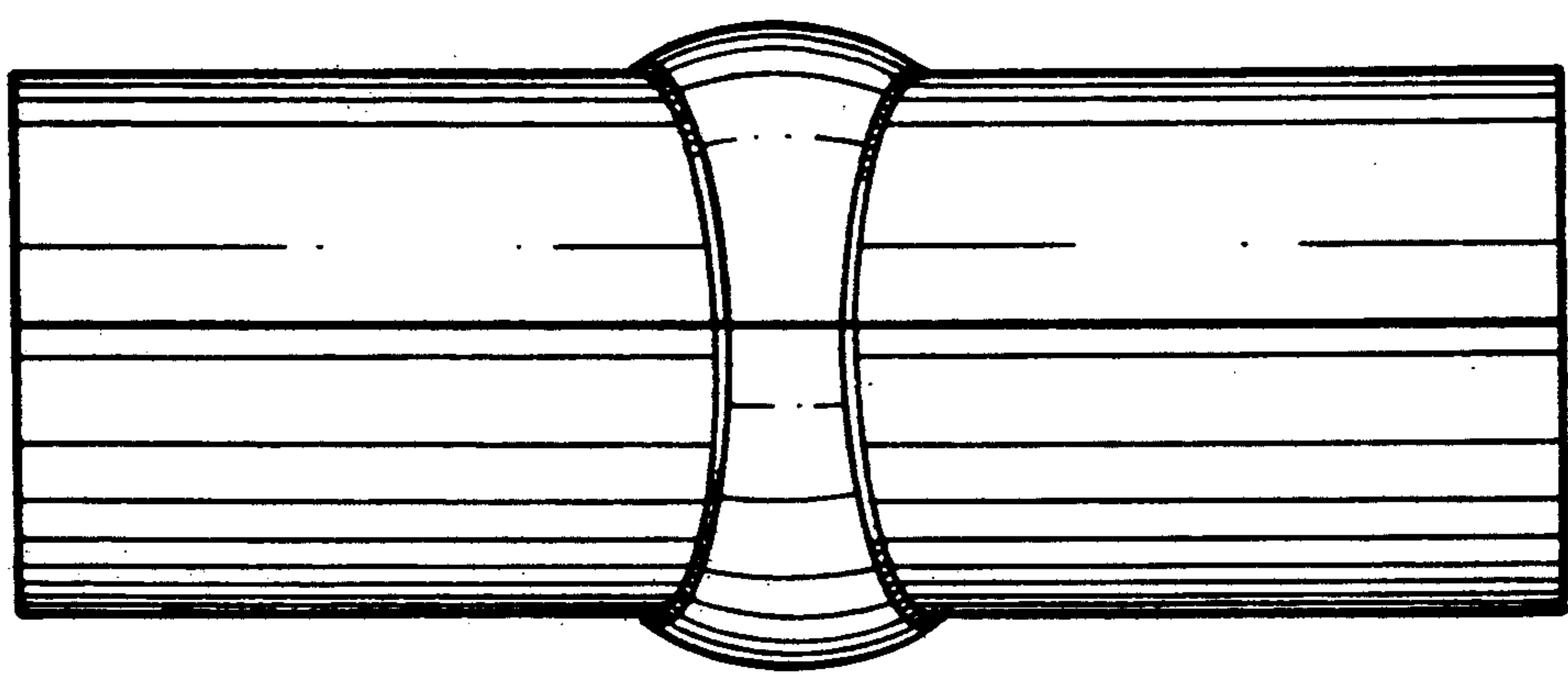


FIG. 5.