



US00D343887S

United States Patent [19]

Shed et al.

[11] Patent Number: **Des. 343,887**

[45] Date of Patent: **** Feb. 1, 1994**

[54] ANTI-SPILL CONTAINER FOR A CHEMICAL DRUM

[76] Inventors: **Larry L. Shed**, P.O. Box 2248; **Jerry L. Dunlap**, Box 5192, both of Hobbs, N. Mex. 88240; **Jimmy C. Henson**, Box 11101, Midland, Tex. 79702

[**] Term: **14 Years**

[21] Appl. No.: **721,375**

[22] Filed: **Jun. 24, 1991**

[52] U.S. Cl. **D23/202**

[58] Field of Search 220/415-416, 220/DIG. 5, 581, 4.12, 1.5, 2, 86.1, 484, 202-203, 505-506, 565, 724; D7/332-333; 220/86.1, 484, 202-203, 505-506, 565, 724; 141/86, 115, 123, 198; D23/200, 202-205

[56] References Cited

U.S. PATENT DOCUMENTS

D. 258,108	2/1981	Cone	D7/332
D. 287,214	12/1986	Koziol	D7/332
D. 298,793	12/1988	Ragon	D7/332
4,807,675	2/1989	Sharp	141/86
4,960,346	10/1990	Tamayo	141/86 X
5,016,689	5/1991	McGarvey et al.	141/86 X

Primary Examiner—Wallace R. Burke

Assistant Examiner—M. H. Tung

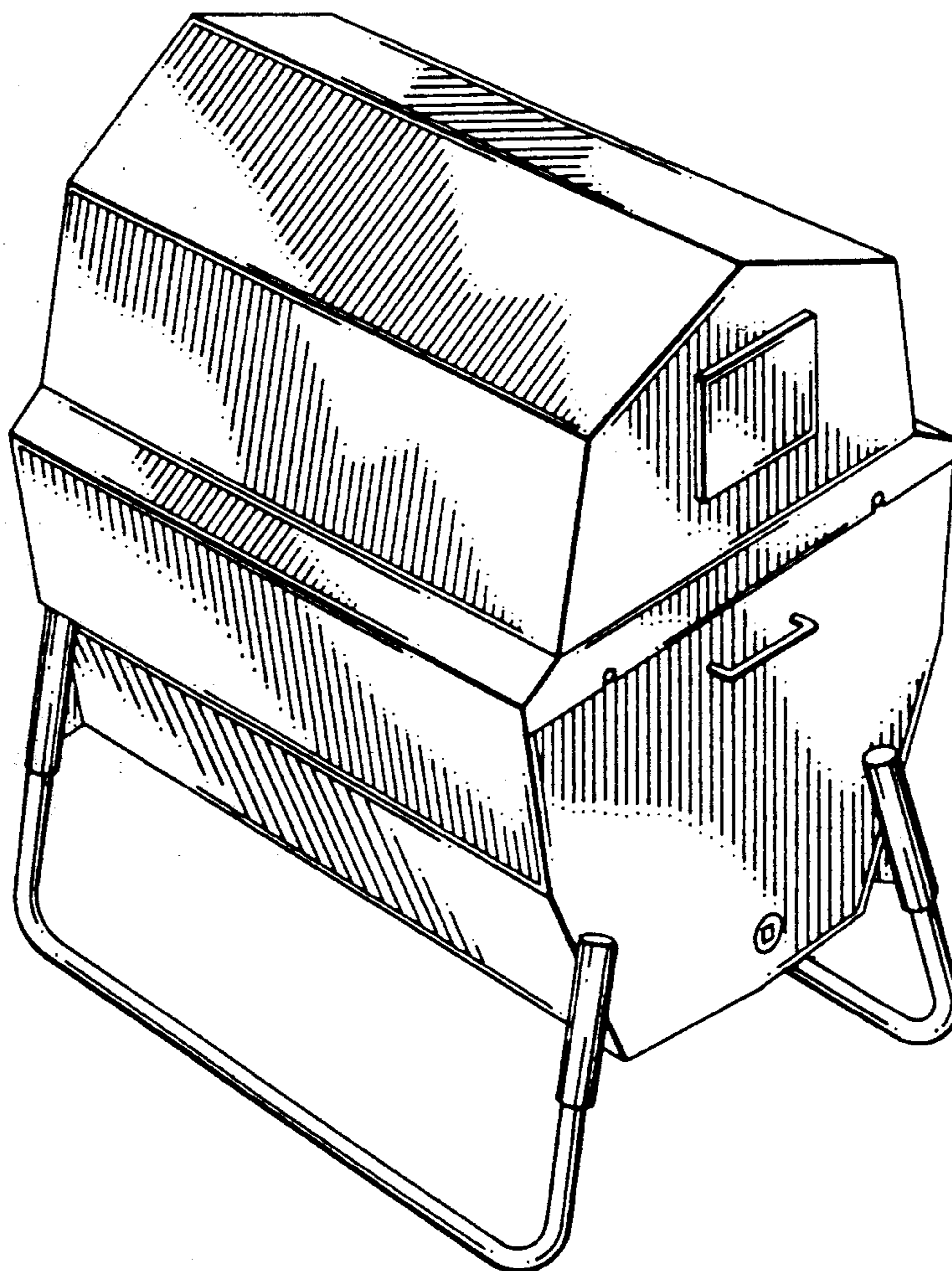
Attorney, Agent, or Firm—Marcus L. Bates

[57] CLAIM

The ornamental design for an anti-spill container for a chemical drum, as shown and described.

DESCRIPTION

FIG. 1 is a right front perspective view of an anti-spill container for a chemical drum, showing my new design; FIG. 2 is a broken, reduced, top plan view thereof; FIG. 3 is a broken, bottom view thereof; FIG. 4 is a broken, side elevational view thereof; and, FIG. 5 is an end view thereof.



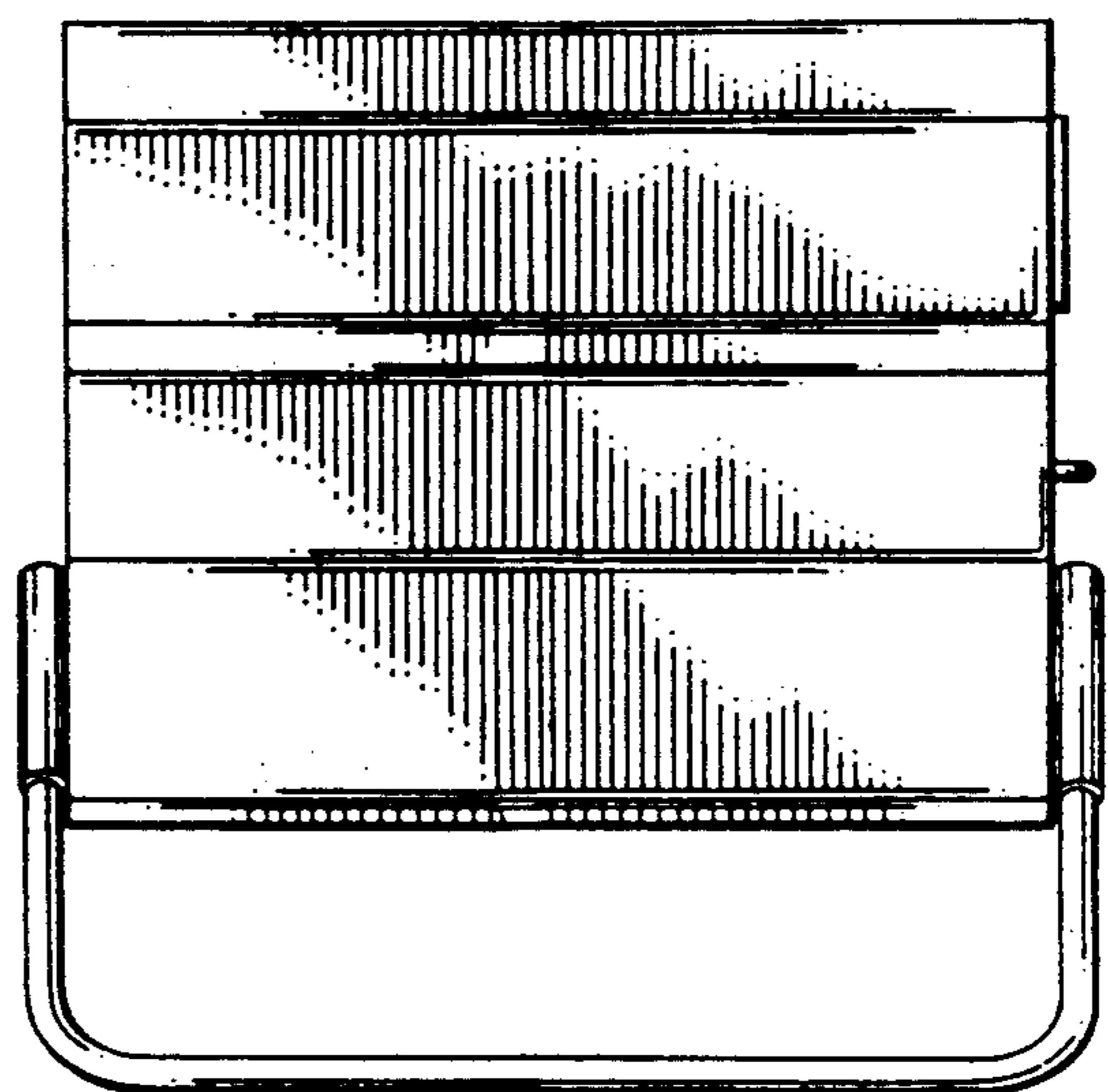
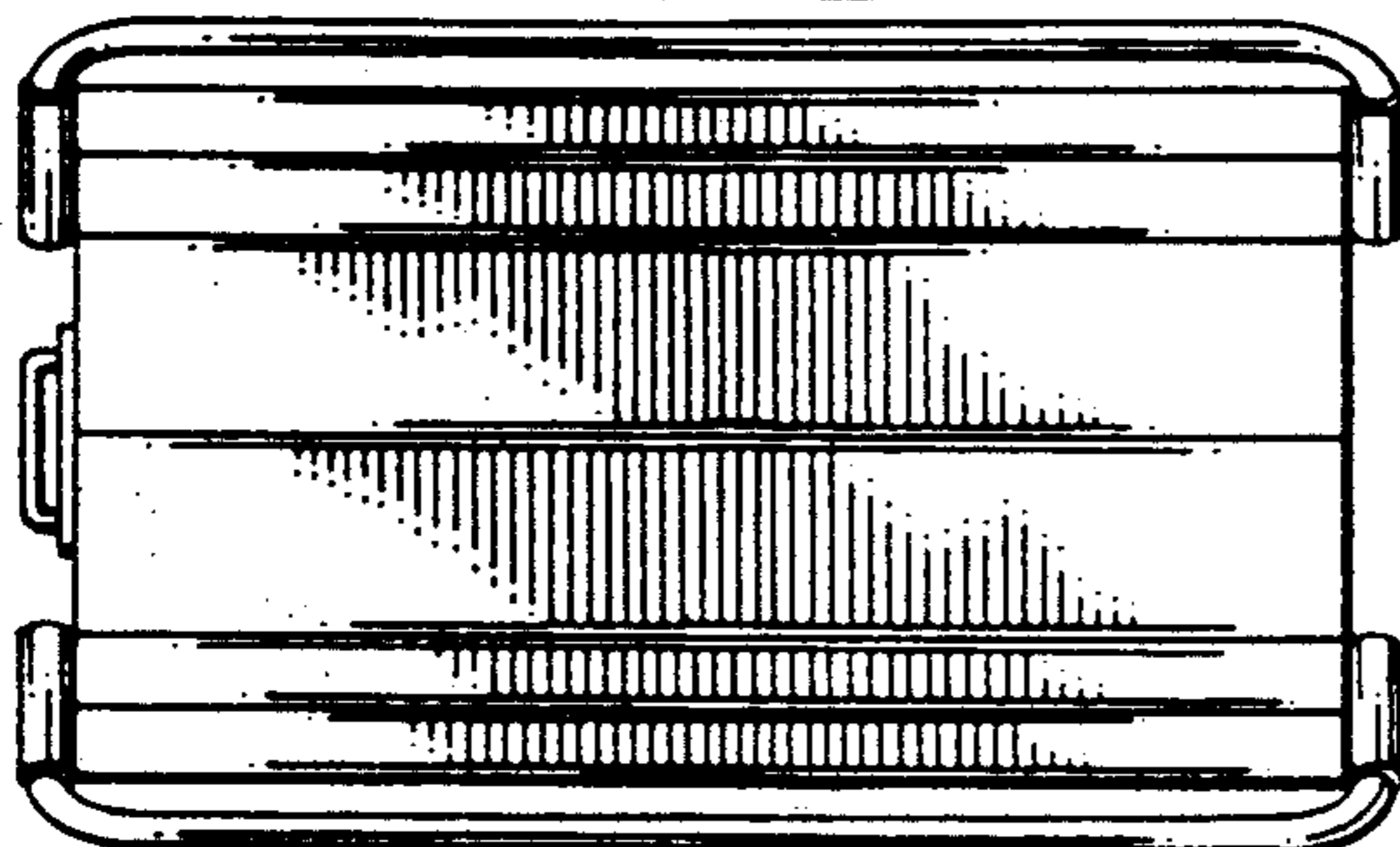
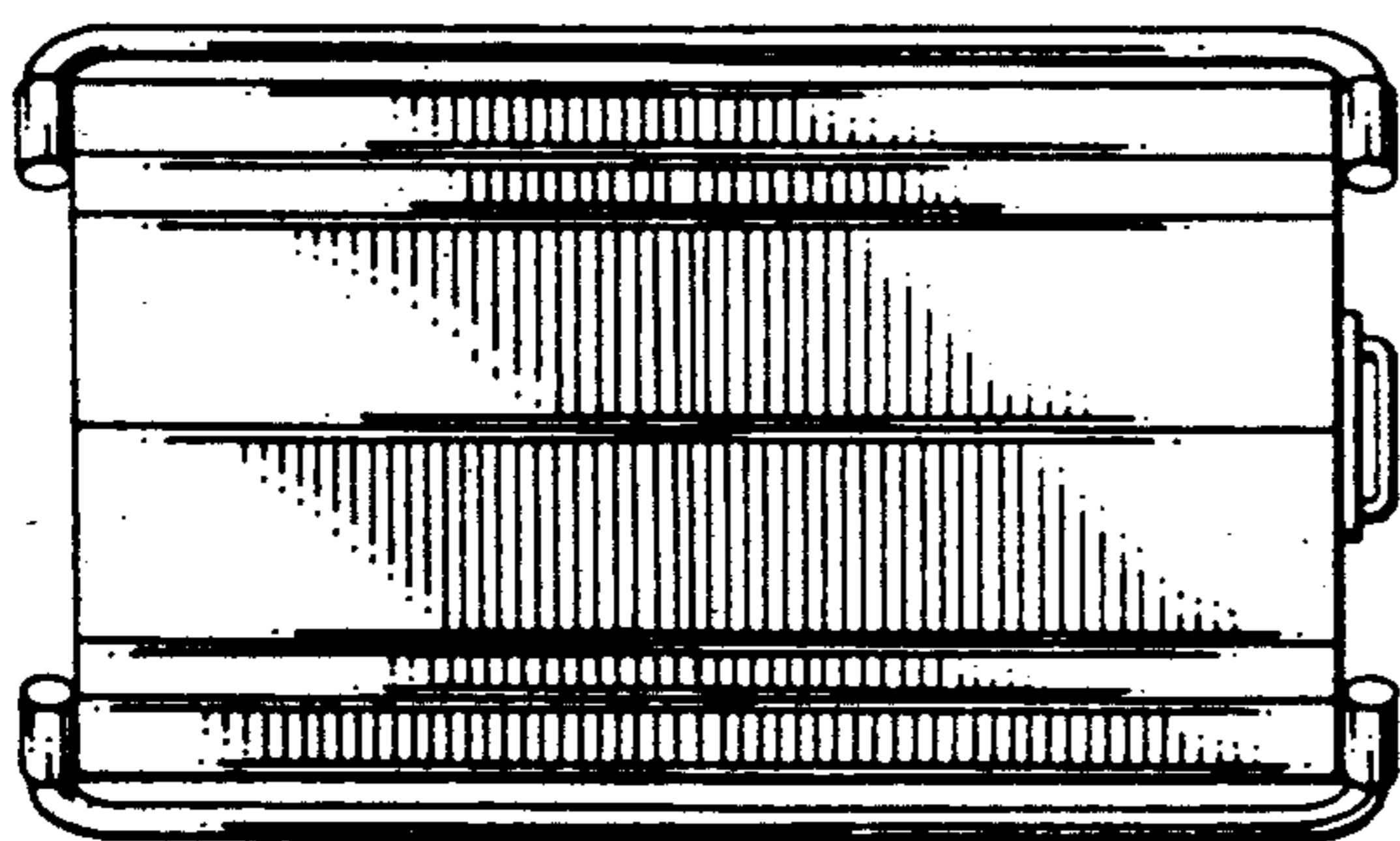
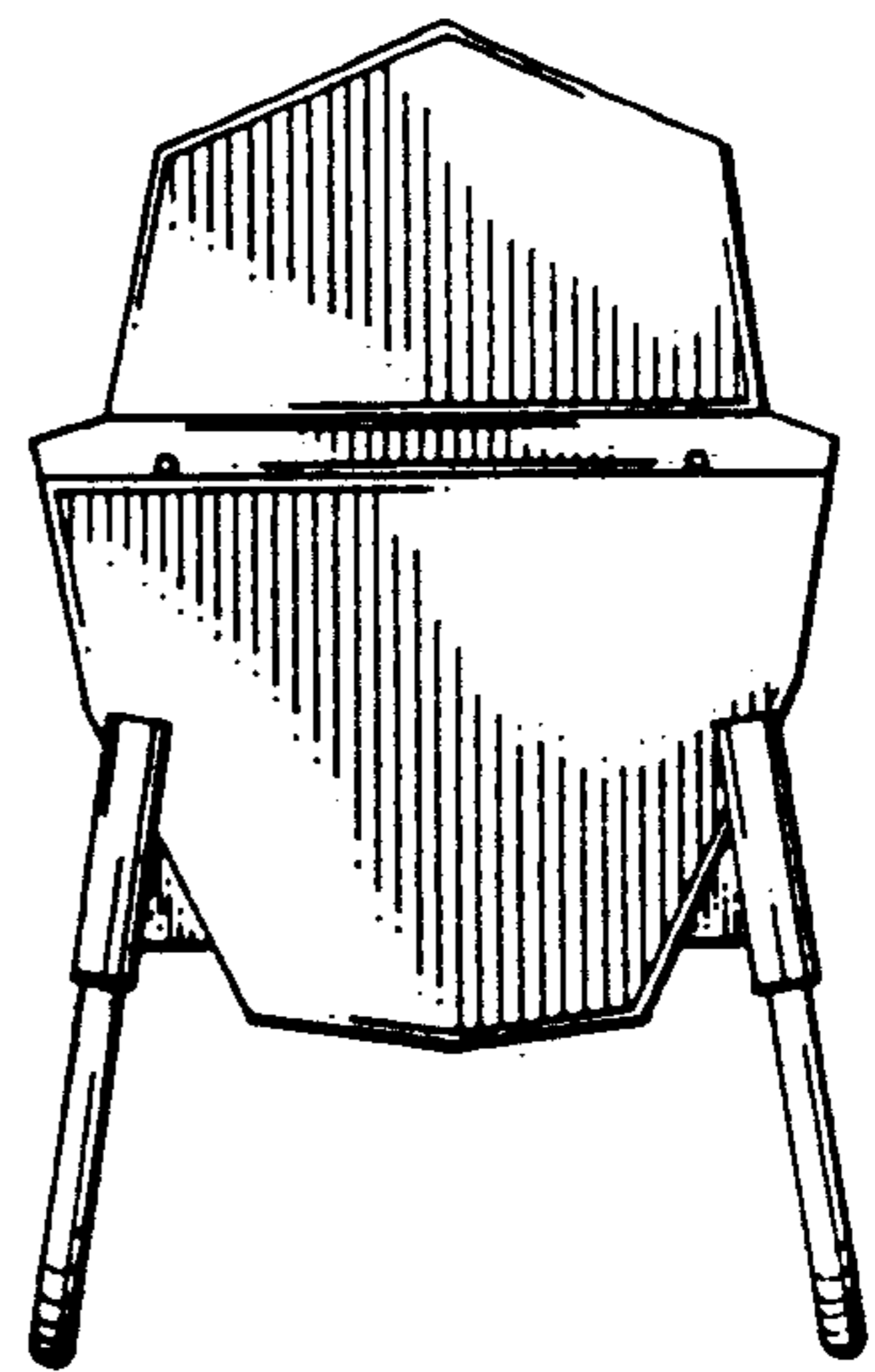
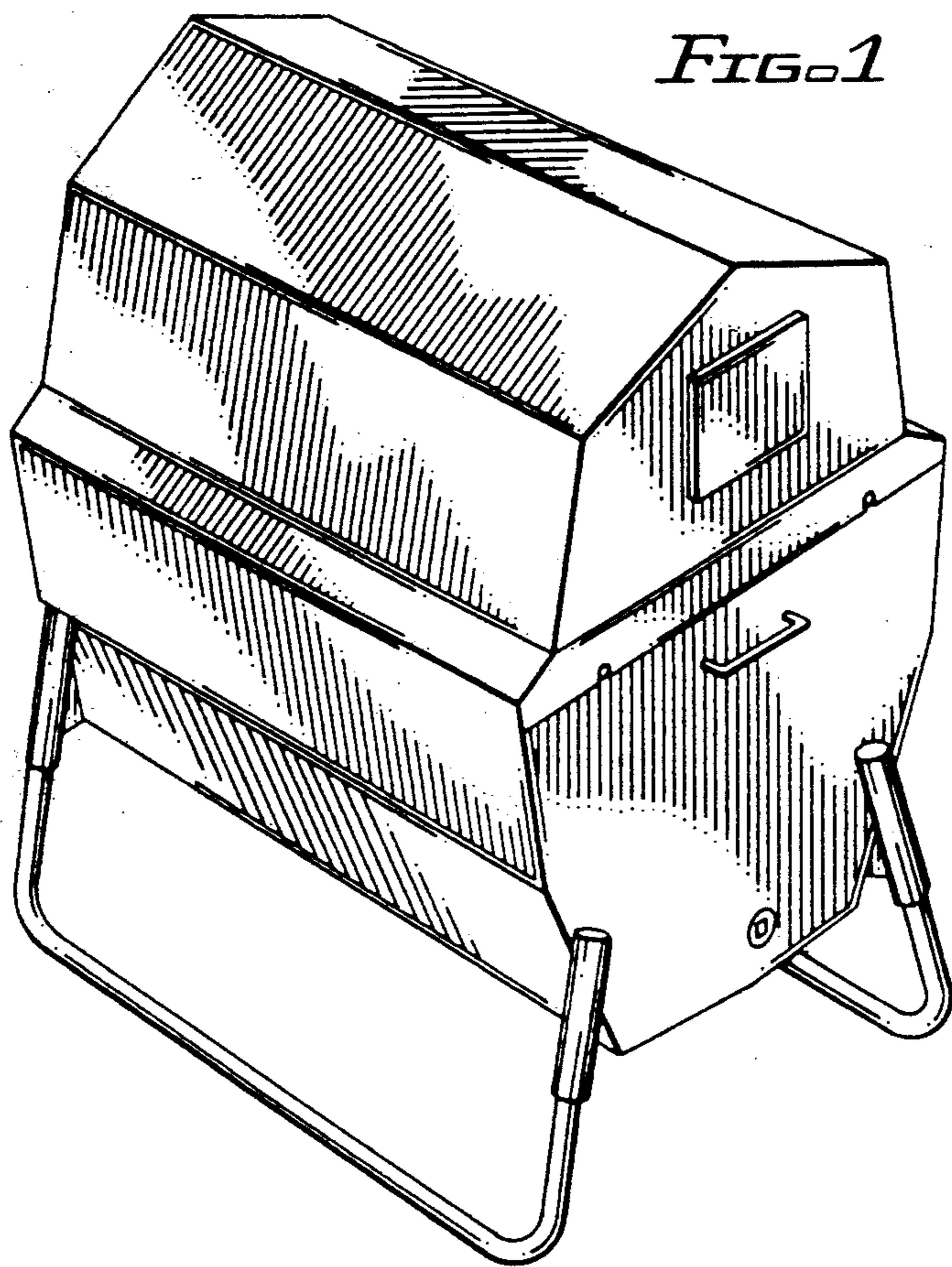


FIG. 3

FIG. 4