



US00D343883S

# United States Patent [19] Hall

[11] Patent Number: **Des. 343,883**

[45] Date of Patent: **\*\* Feb. 1, 1994**

[54] **ADJUSTABLE BASKETBALL GOAL**

5,133,547 7/1992 Pardi ..... 273/1.5 R

[76] Inventor: **Timothy D. Hall, 905 Kent La., Troy, Ohio 45373**

### FOREIGN PATENT DOCUMENTS

681631 10/1966 Belgium .  
6413102 5/1966 Netherlands .  
908055 10/1962 United Kingdom .

[\*\*] Term: **14 Years**

*Primary Examiner*—Melvin B. Feifer  
*Attorney, Agent, or Firm*—Barnes & Thornburg

[21] Appl. No.: **672,595**

[22] Filed: **Mar. 19, 1991**

[52] U.S. Cl. .... **D21/201**

[58] Field of Search ..... 273/1.5; D21/201

### [57] CLAIM

The ornamental design for an adjustable basketball support, as shown and described.

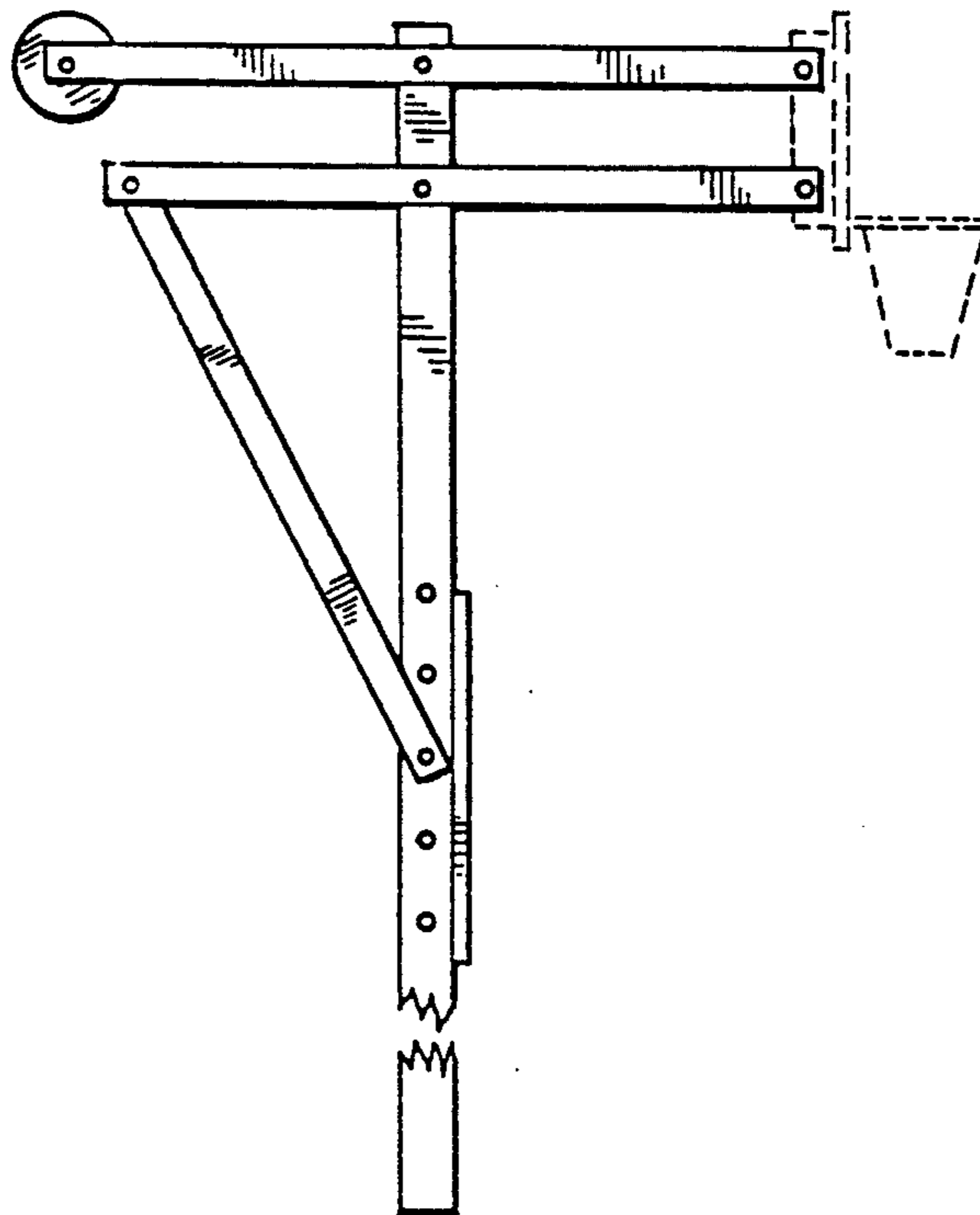
### [56] References Cited

#### U.S. PATENT DOCUMENTS

278,797	6/1883	Ide .	
344,652	6/1886	Hammerstein .	
1,504,166	8/1924	Thornley .	
2,313,188	3/1943	Woodburn .	
2,881,003	4/1959	Drew .	
2,986,395	5/1961	Sheftel .	
3,427,025	2/1969	Procter .	
3,586,324	6/1971	Bearson .	
3,669,450	6/1972	Mason .	
3,722,886	3/1973	Sinner .	
3,765,676	10/1973	Bearson et al. .	
3,881,724	5/1975	Beveridge .....	273/1.5 R
4,330,101	5/1982	Andersen .	
4,395,040	7/1983	White .	
4,407,498	10/1983	Clore et al. .	
4,465,277	8/1984	Dittrich .	
4,781,375	11/1988	Nye .	
4,798,381	1/1989	Dadbeh .	
4,801,142	1/1989	Friesen .	
4,941,661	7/1990	Lykens .	
4,951,944	8/1990	Morgan .	

### DESCRIPTION

FIG. 1 illustrates a side view of the adjustable basketball support with a goal set at eight feet;  
FIG. 2 illustrates a side view of the adjustable basketball support with a goal set at six feet;  
FIG. 3 illustrates a side view of the adjustable basketball support with a goal set at ten feet, standard height;  
FIG. 4 illustrates a front view of the adjustable basketball support with a goal set at a position lower than ten feet;  
FIG. 5 illustrates a top view of the adjustable basketball support with a goal showing the support post, counterweight, top set of arms; and,  
FIG. 6 a front view of the adjustable basketball support with a goal is shown in a raised position.  
The broken lines of the basketball backboard or goal and net in FIGS. 1-6 are for illustrative purposes only and form no part of the design. In FIG. 1, the lower portion of the support is shown fragmentarily to indicate indeterminate length. FIGS. 2, 3, 4, and 6 have not been so shown for ease of illustration.



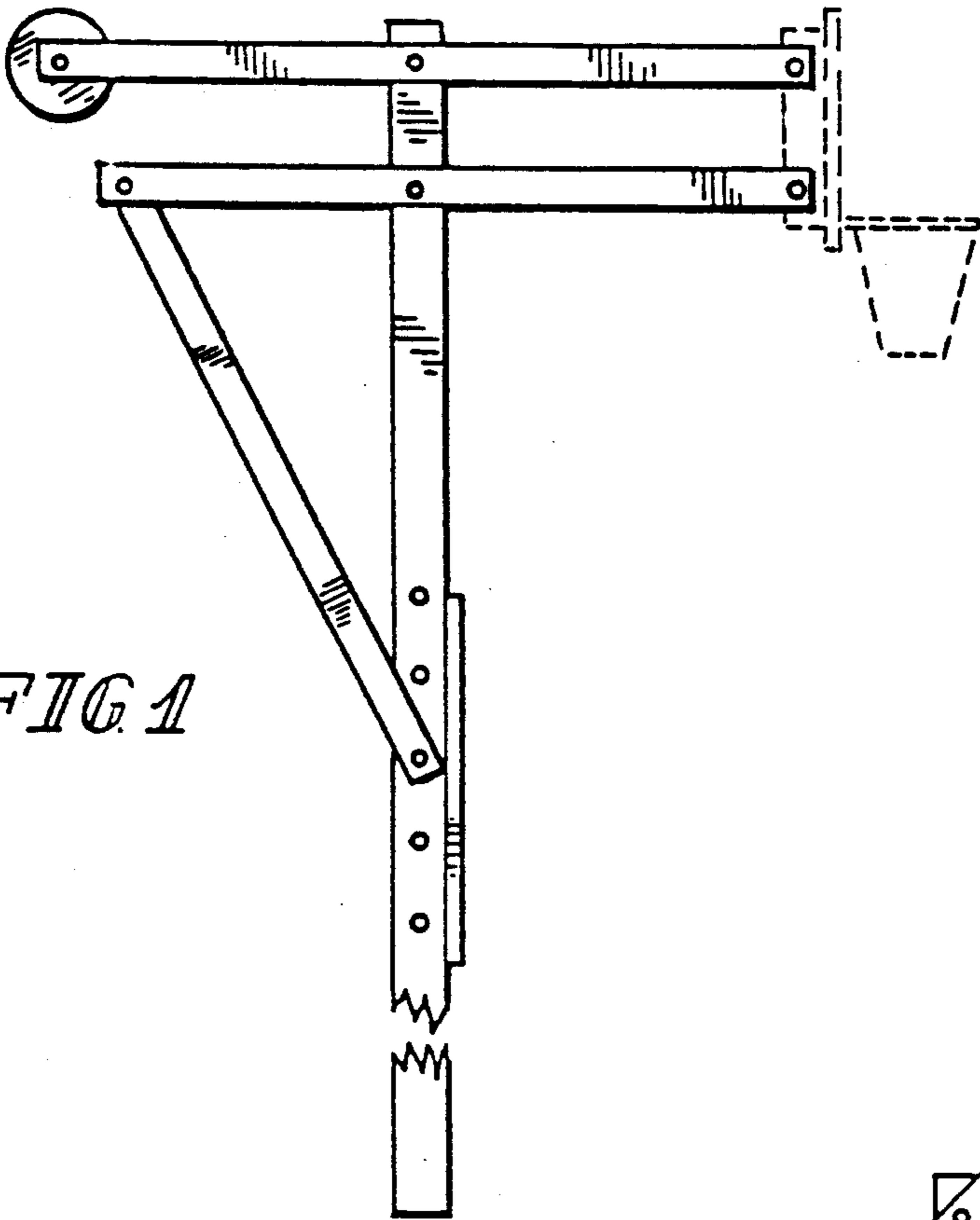


FIG. 1

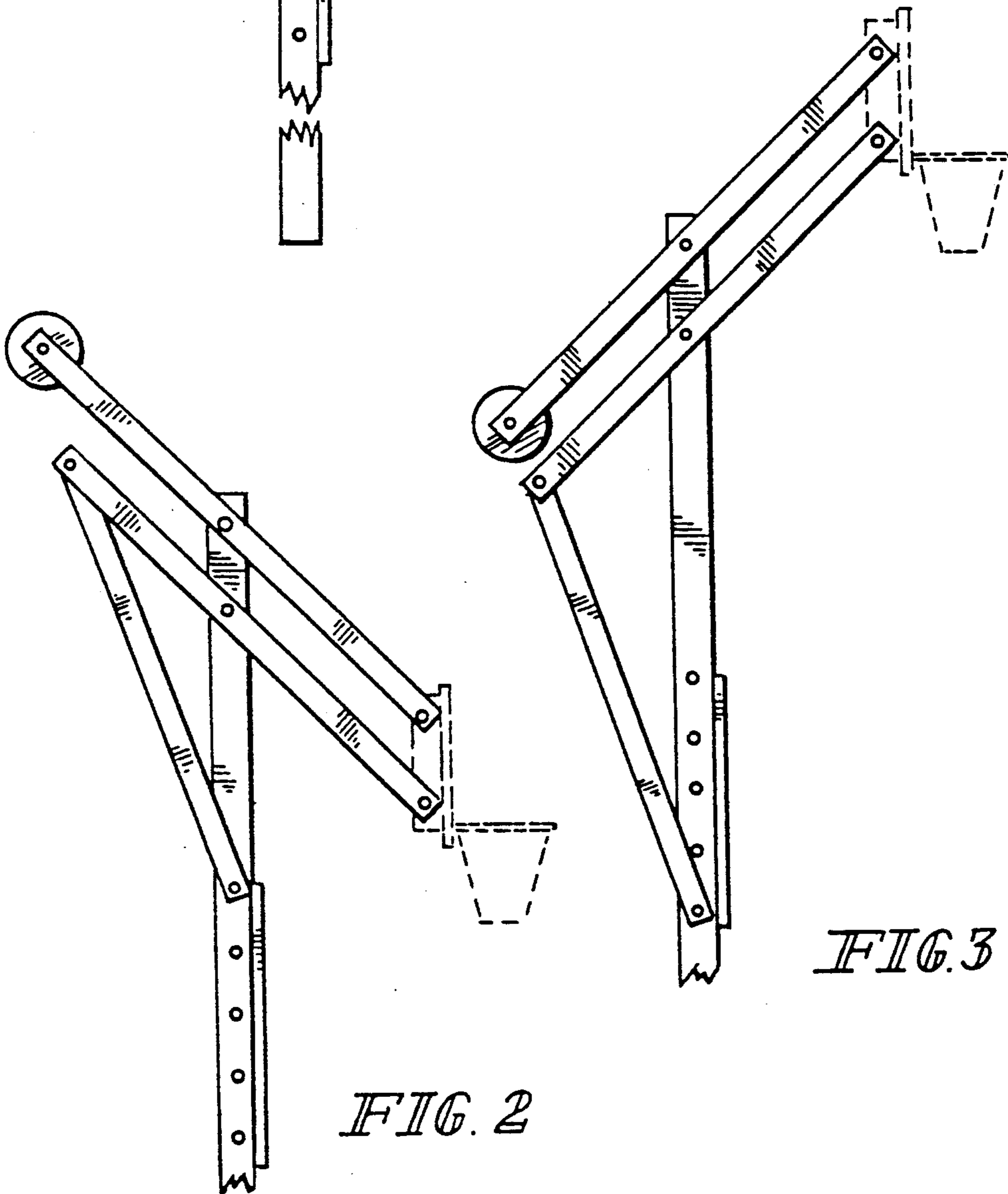


FIG. 2

FIG. 3

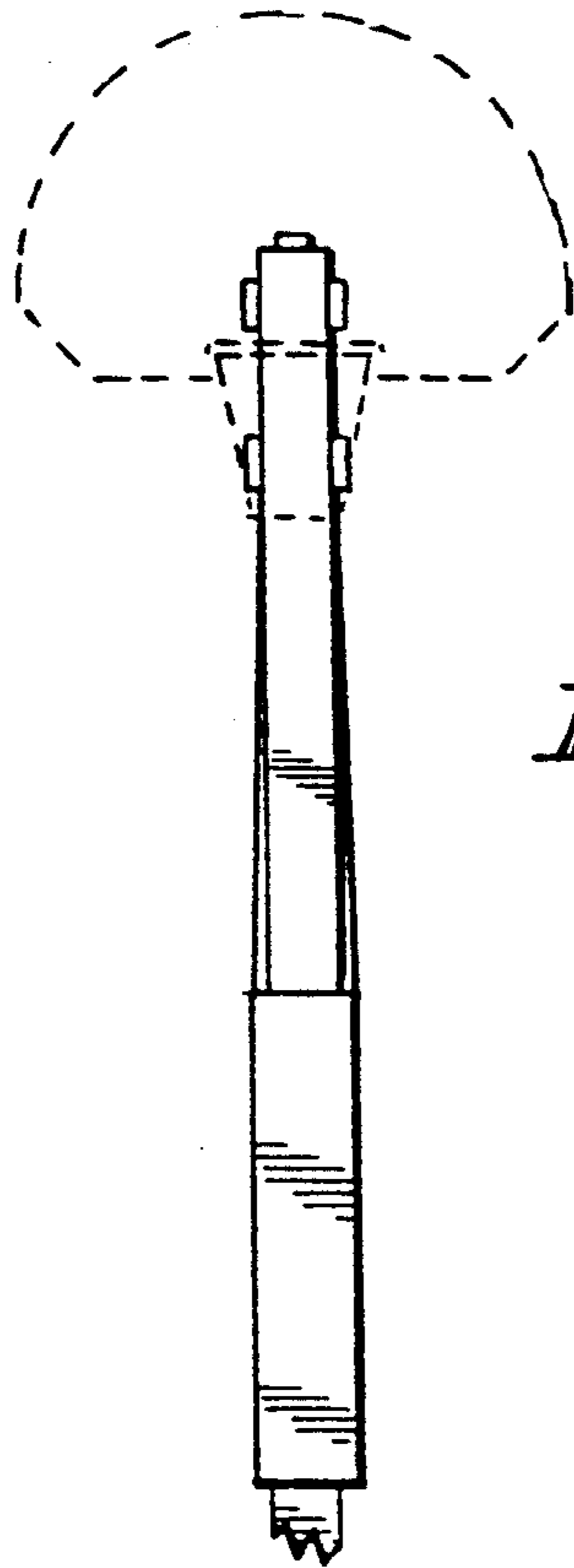


FIG. 4

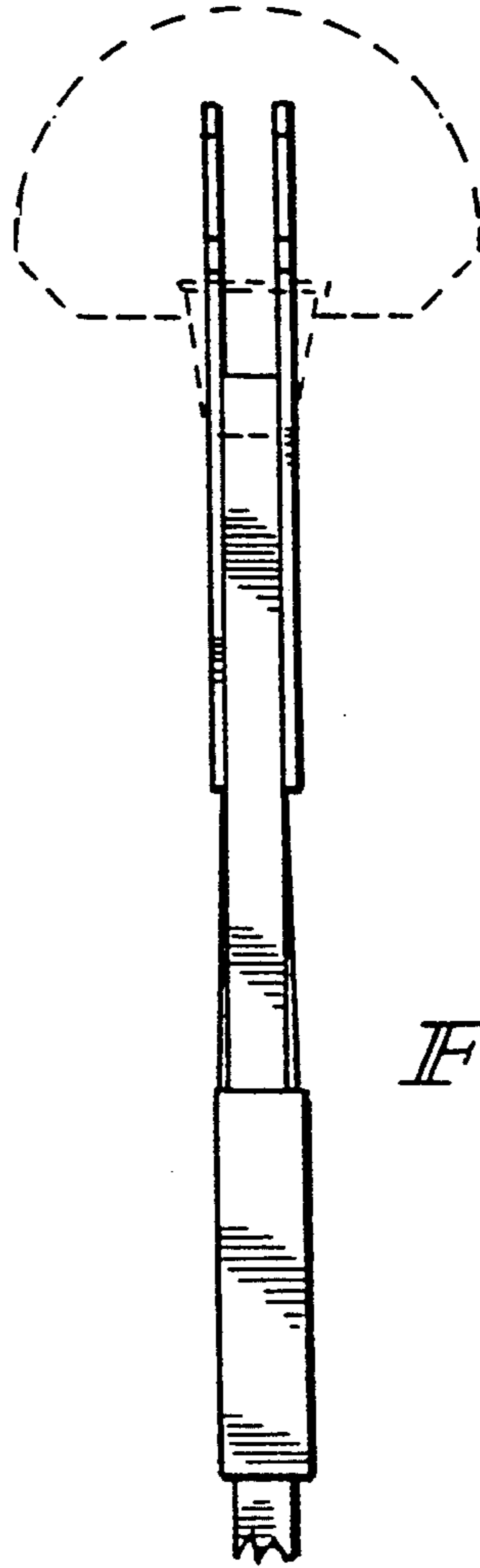


FIG. 6

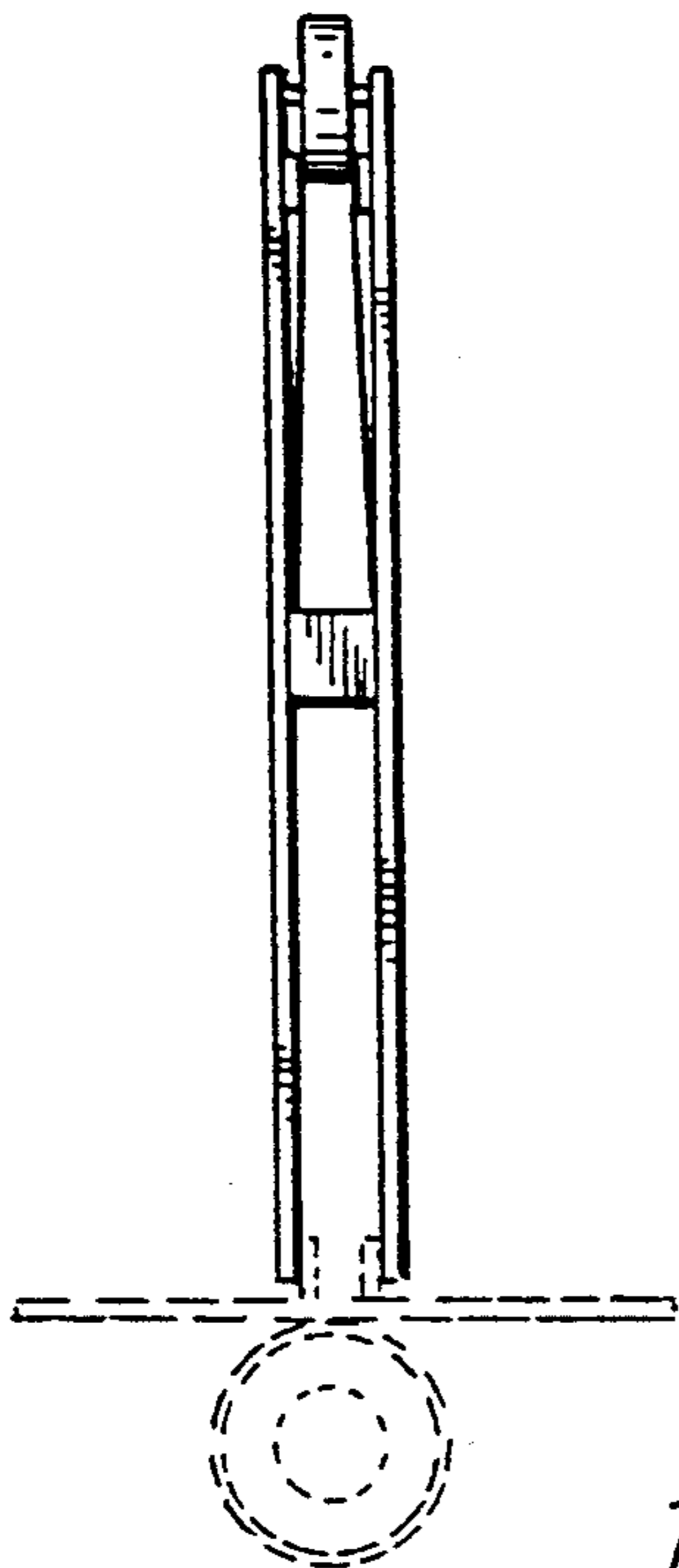


FIG. 5