



US00D343880S

United States Patent [19]

Shelton et al.

[11] Patent Number: **Des. 343,880**

[45] Date of Patent: **** Feb. 1, 1994**

[54] UNDERWATER EXERCISE DEVICE

[75] Inventors: **Robert N. Shelton, Princeton;**
Andrew F. Fireman, Needham, both
of Mass.

[73] Assignee: **Aqua-Leisure Industries, Inc., Avon,**
Mass.

[**] Term: **14 Years**

[21] Appl. No.: **900,842**

[22] Filed: **Jun. 18, 1992**

[52] U.S. Cl. **D21/197; D21/236**

[58] Field of Search **482/111, 108, 106;**
D21/236, 237, 197

[56] References Cited

U.S. PATENT DOCUMENTS

- D. 297,961 10/1988 Egger D21/197
- D. 309,762 8/1990 Carr D21/197
- D. 321,230 10/1991 Leonesto D21/197

Primary Examiner—**Kay H. Chin**

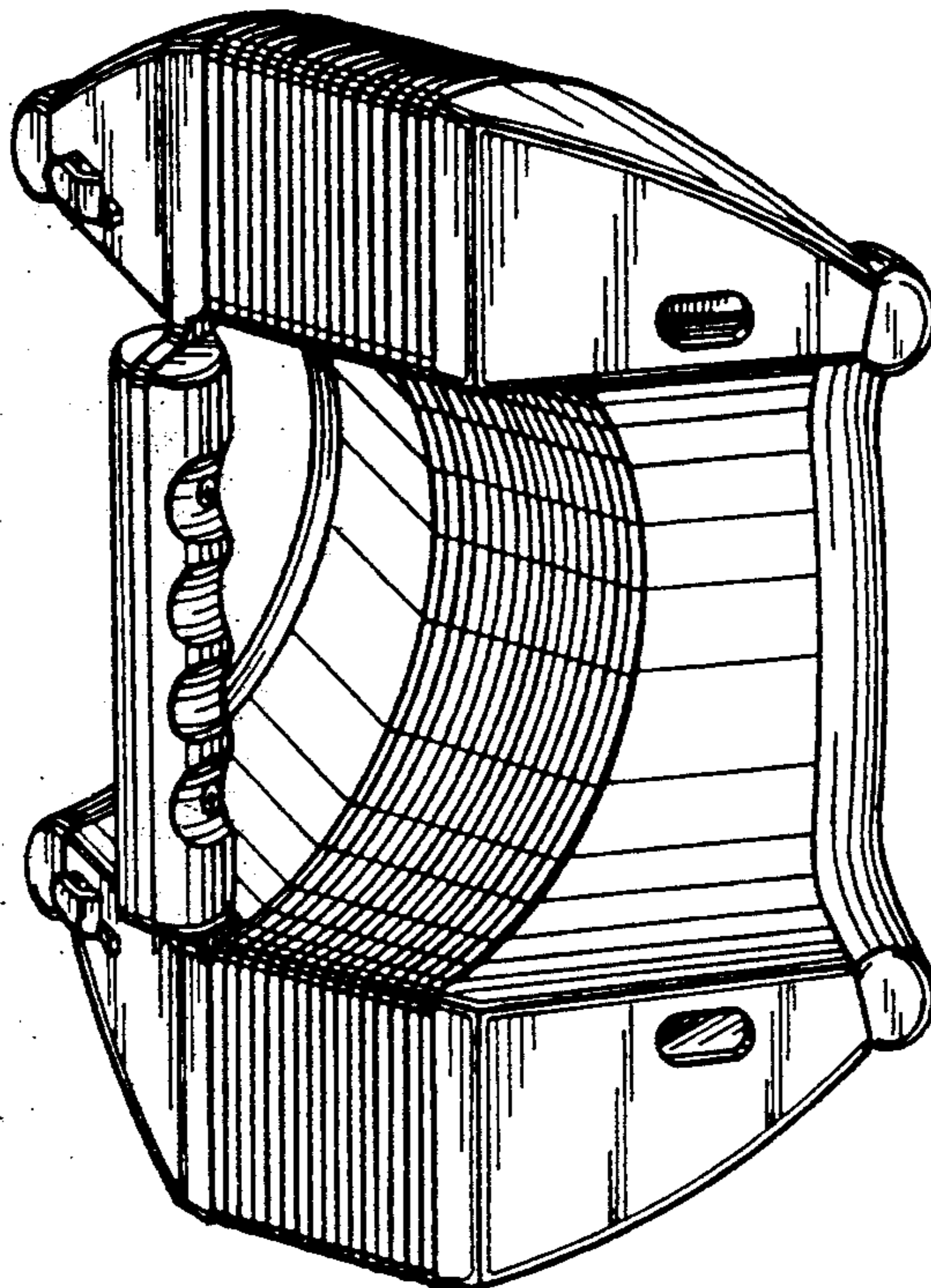
Attorney, Agent, or Firm—**Wolf, Greenfield & Sacks**

[57] CLAIM

The ornamental design for a underwater exercise device, as shown and described.

DESCRIPTION

FIG. 1 is a top front right side prosective view of a underwater exercise device shown in its collapsed form; FIG. 2 is a front elevation view thereof; FIG. 3 is a left side view thereof; FIG. 4 is a right side view thereof; FIG. 5 is rear elevational thereof; and, FIG. 6 is a top plan view thereof with the bottom being a mirror image of the top plan view.



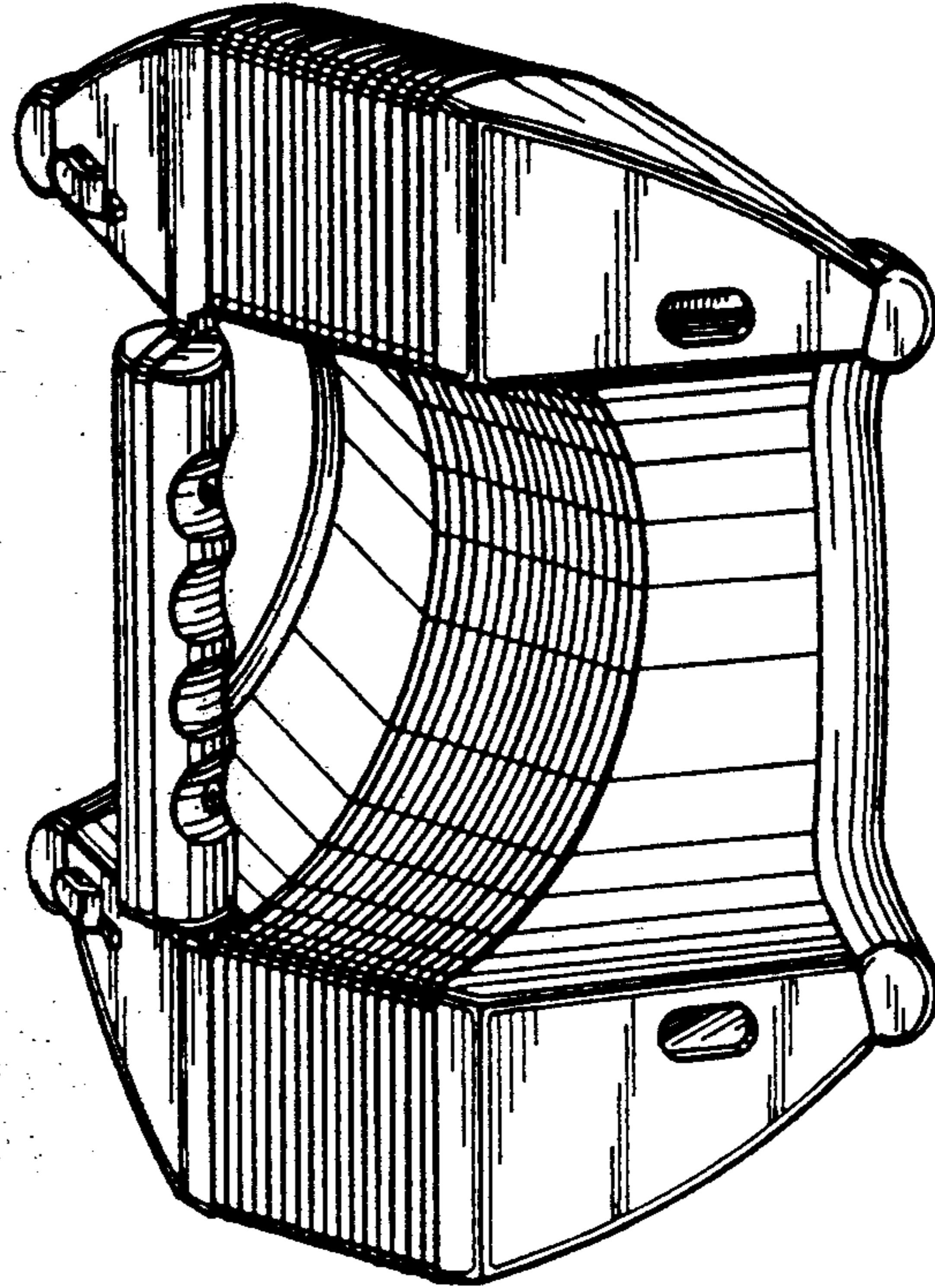


Fig. 1

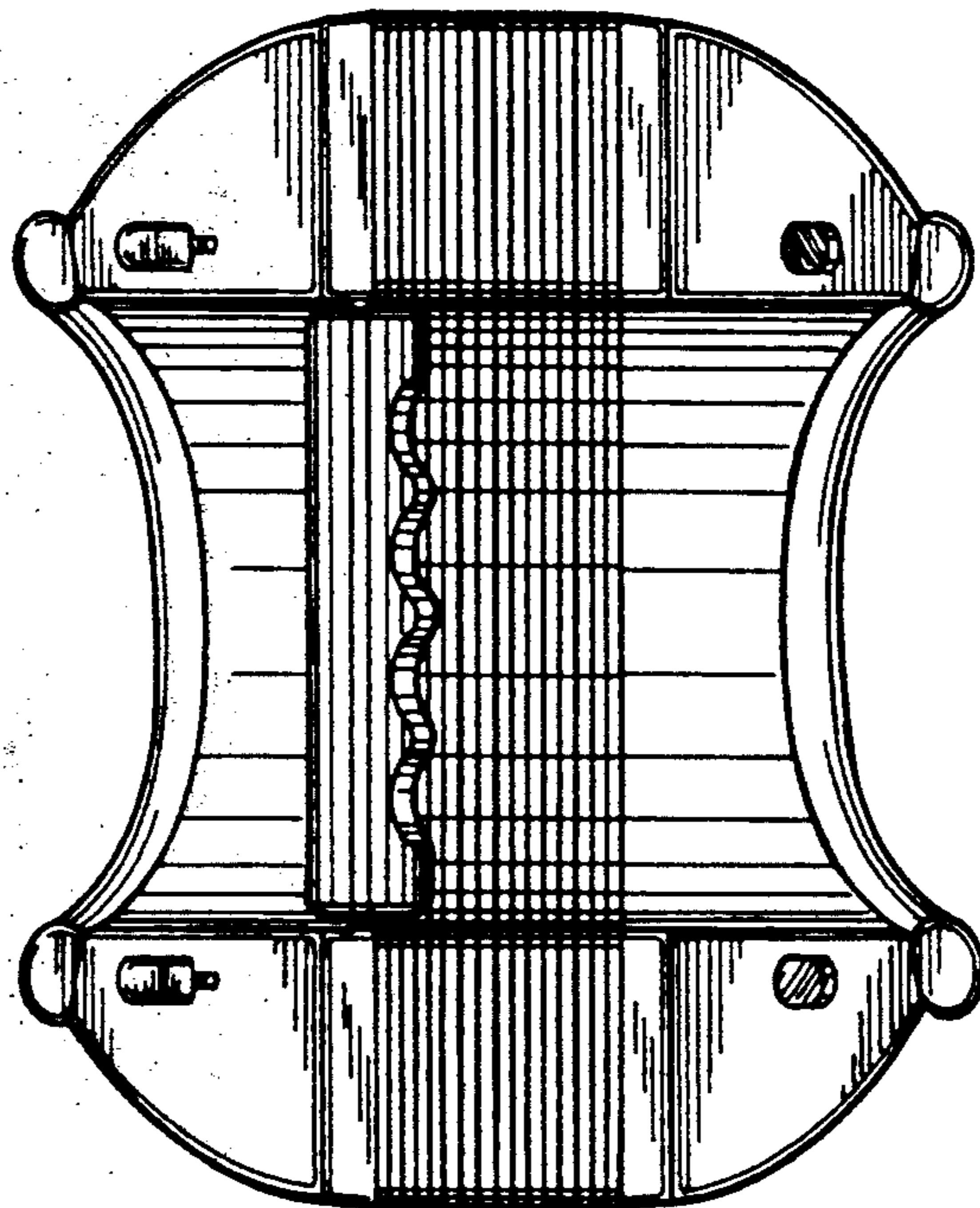


Fig. 2

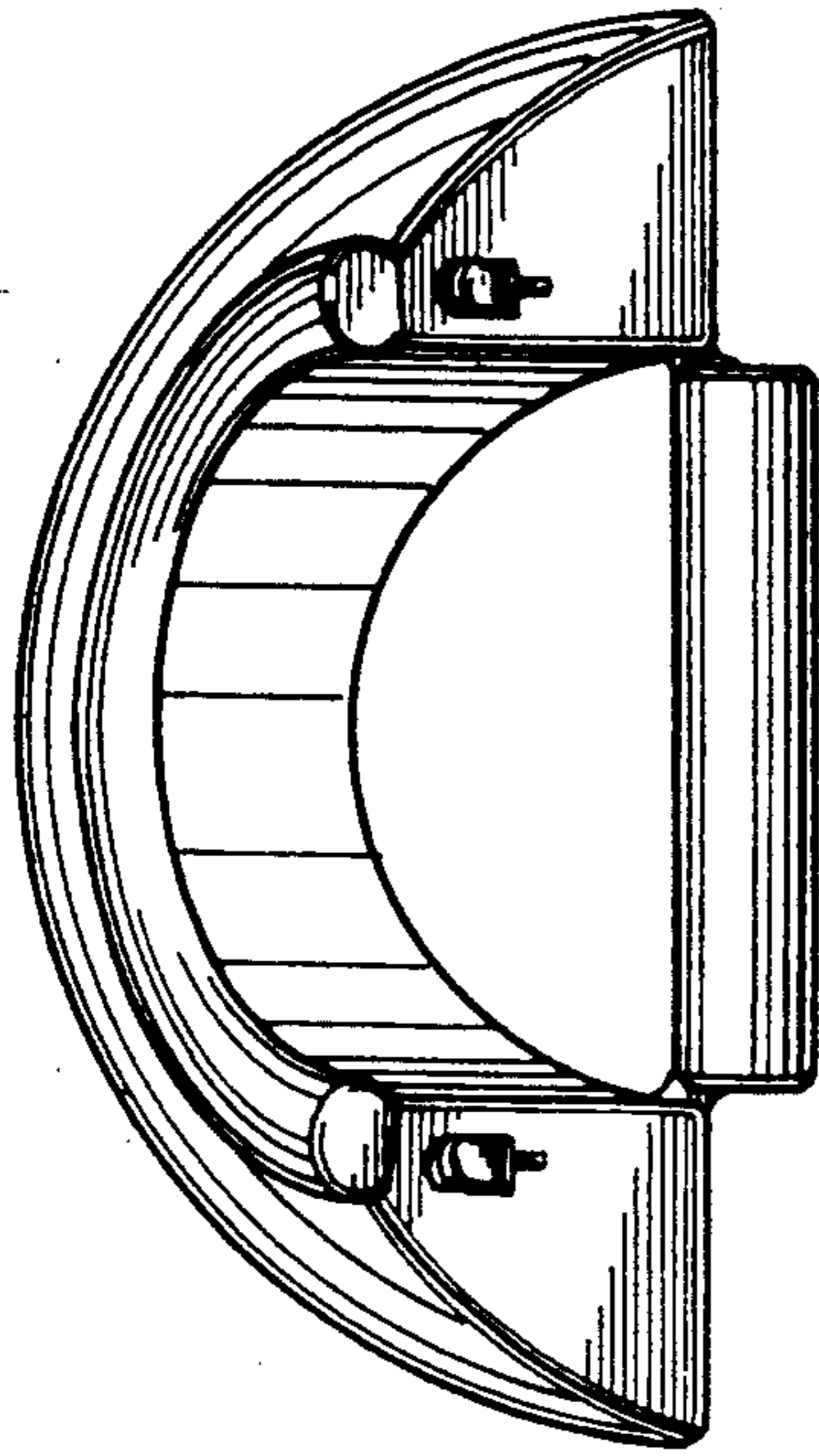


Fig. 3

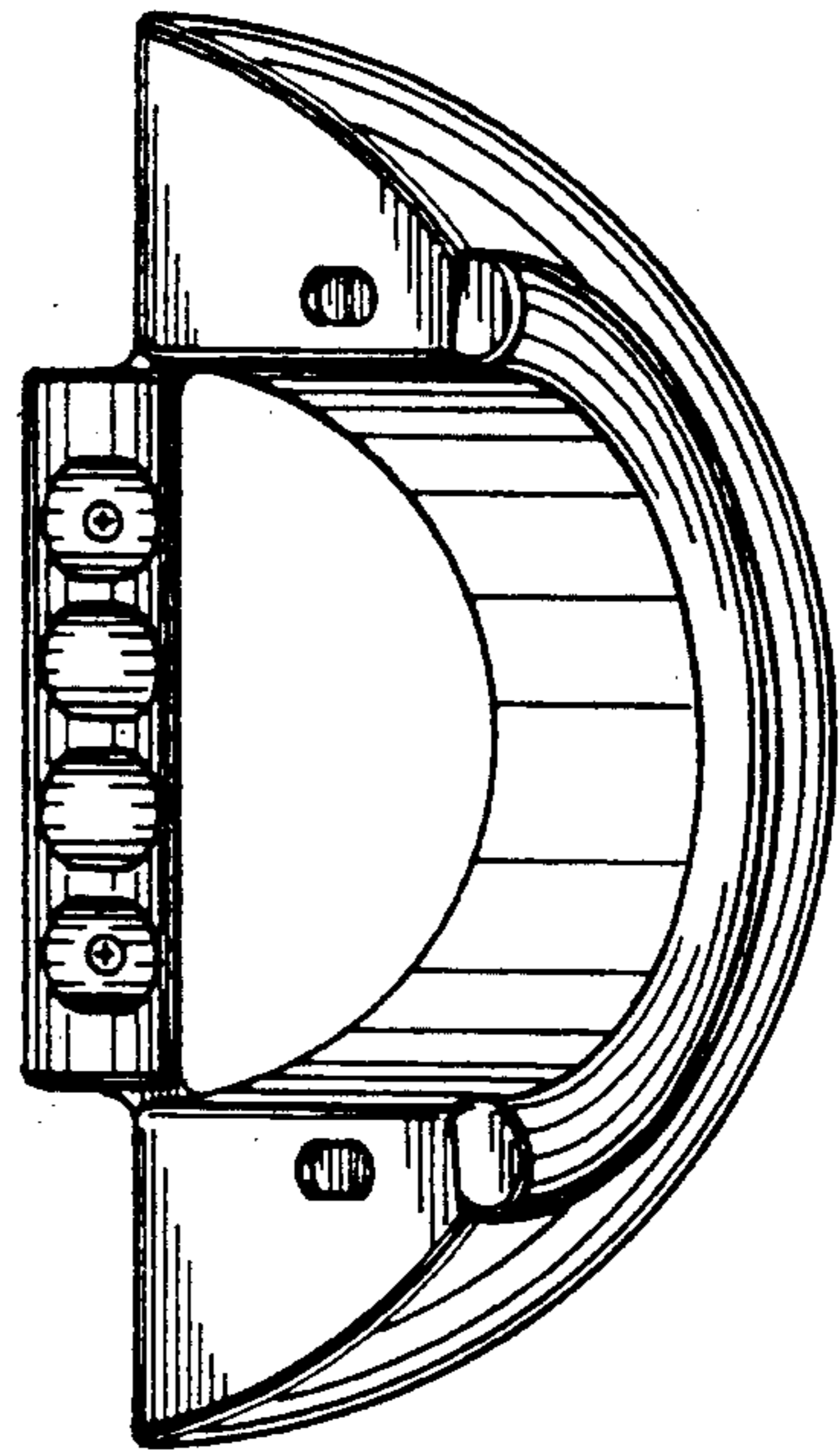


Fig. 4

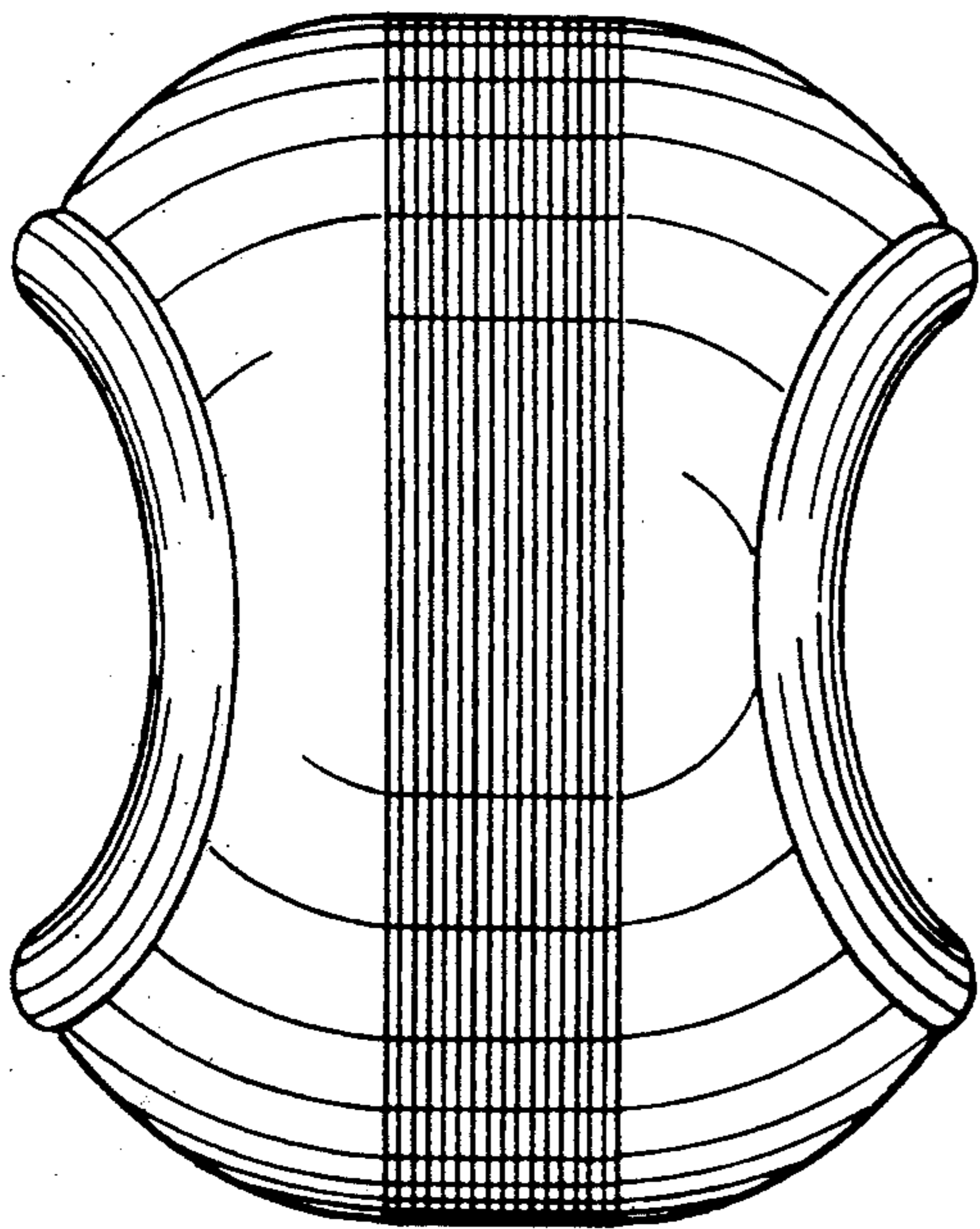


Fig. 5

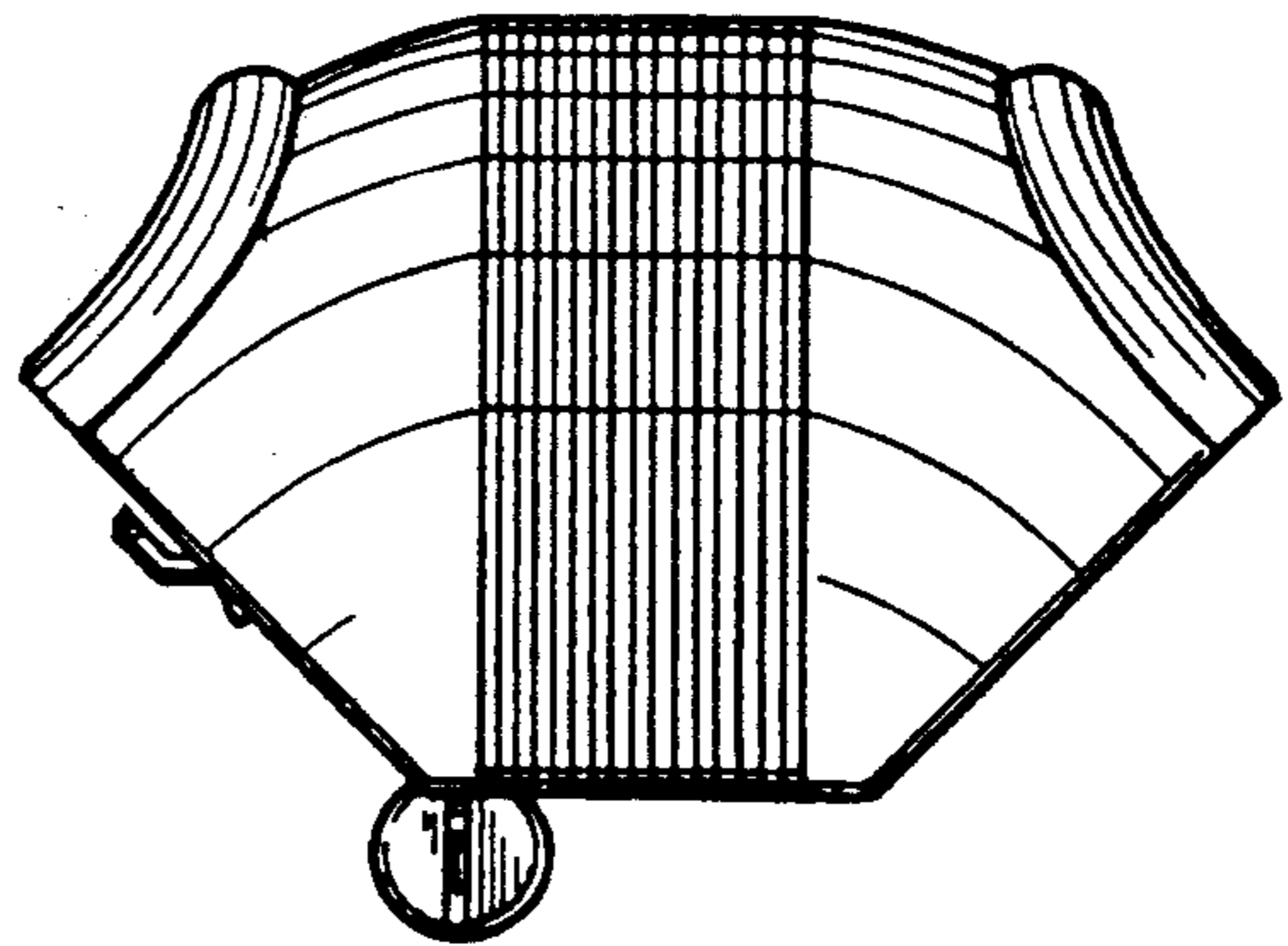


Fig. 6