



US00D343878S

# United States Patent [19]

[11] Patent Number: **Des. 343,878**

**Hughes**

[45] Date of Patent: **\*\* Feb. 1, 1994**

[54] **PHYSICAL EXERCISER**

4,979,734 12/1990 Sims ..... 482/137

[76] Inventor: **Paul G. Hughes**, 2013 Bodega Ave.,  
Petaluma, Calif. 94952

*Primary Examiner*—Bernard Ansher  
*Assistant Examiner*—Philip Hyder  
*Attorney, Agent, or Firm*—Harold D. Messner

[\*\*] Term: **14 Years**

[57] **CLAIM**

[21] Appl. No.: **804,195**

The ornamental design for a physical exerciser, as shown and described.

[22] Filed: **Dec. 6, 1991**

[52] U.S. Cl. .... **D21/195**

[58] Field of Search ..... 482/57, 130, 133, 137,  
482/138, 142, 118, 123, 127; D21/191, 194, 195

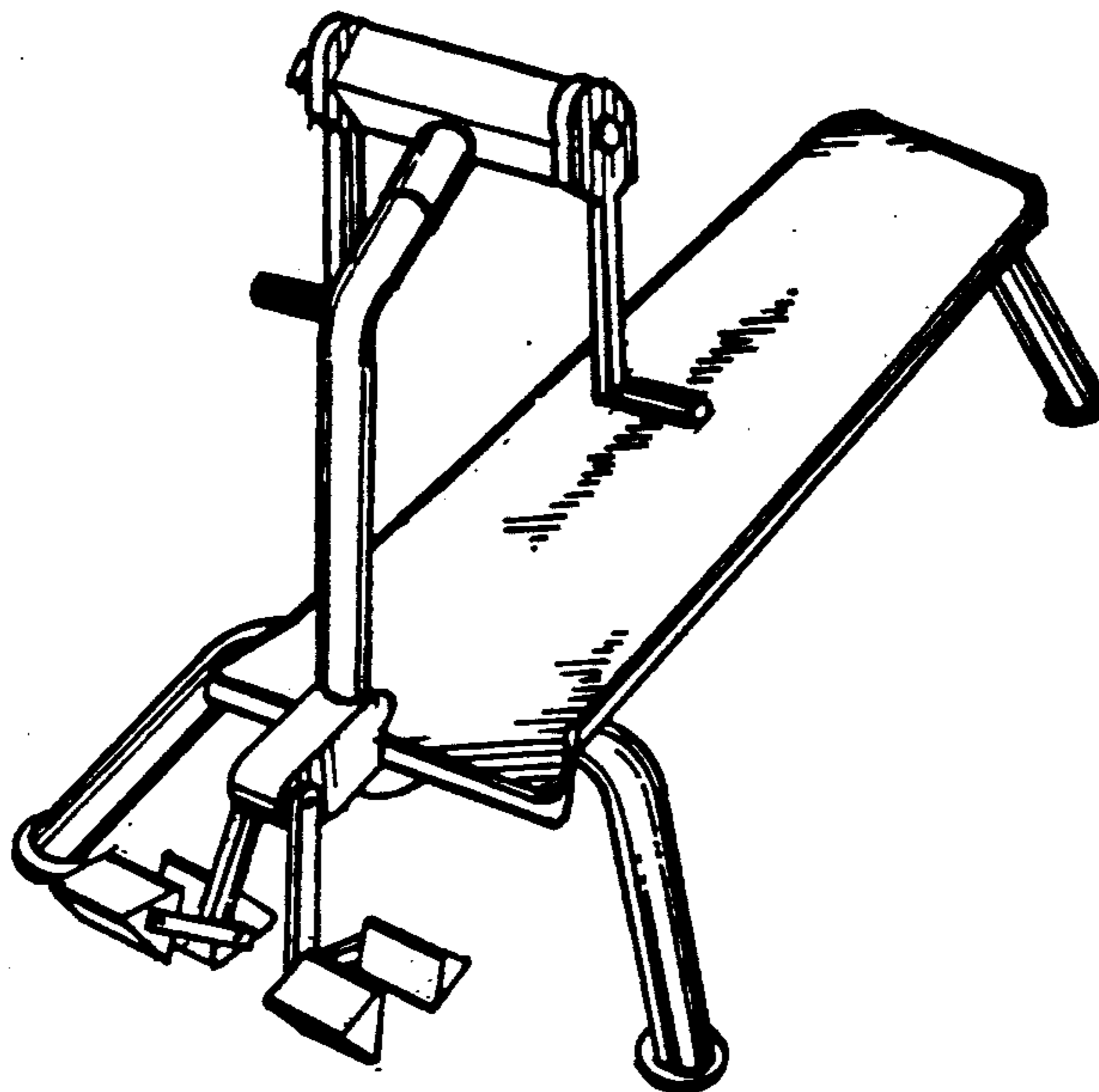
**DESCRIPTION**

[56] **References Cited**

**U.S. PATENT DOCUMENTS**

D. 191,792	11/1961	Maratta	.....	D21/195
D. 271,603	11/1983	Berner	.....	D21/195
D. 279,918	7/1985	Stumbaugh et al.	.....	D21/191
D. 305,347	1/1990	Wittenbrock et al.	.....	D21/194
4,627,614	12/1986	de Angeli	.....	482/138
4,667,955	5/1987	Giesch	.....	482/137
4,974,840	12/1990	Welch	.....	482/142

FIG. 1 is a perspective view of my design of a physical exerciser;  
FIG. 2 is a front elevational view of my design of a physical exerciser;  
FIG. 3 is a rear elevational view of my design;  
FIG. 4 is a left side elevational view of my new design of a physical exerciser;  
FIG. 5 is a right side elevational view of my new design of a physical exerciser;  
FIG. 6 is a top plan view of my design; and,  
FIG. 7 is a bottom plan view of my design.



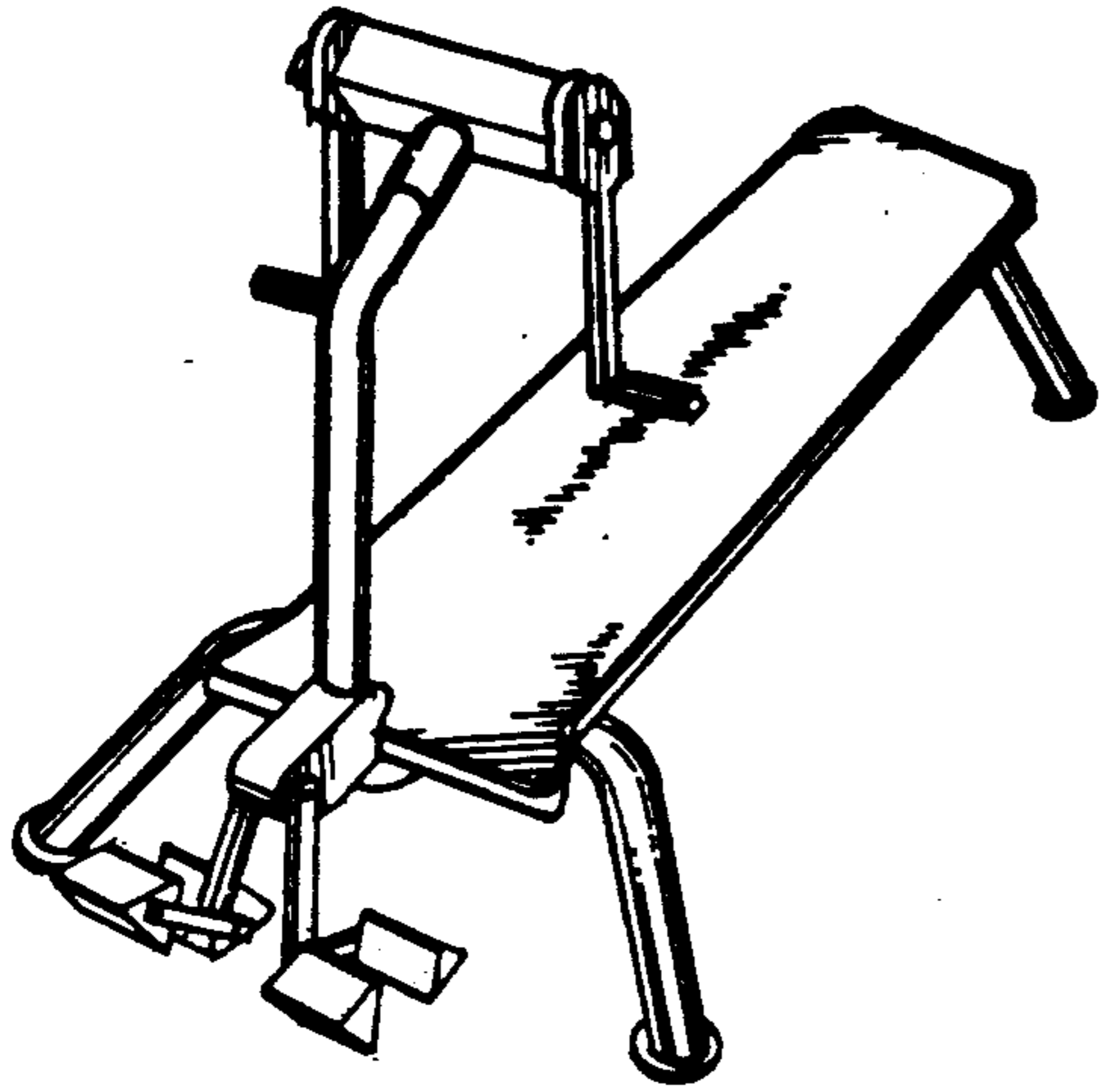


FIG. 1

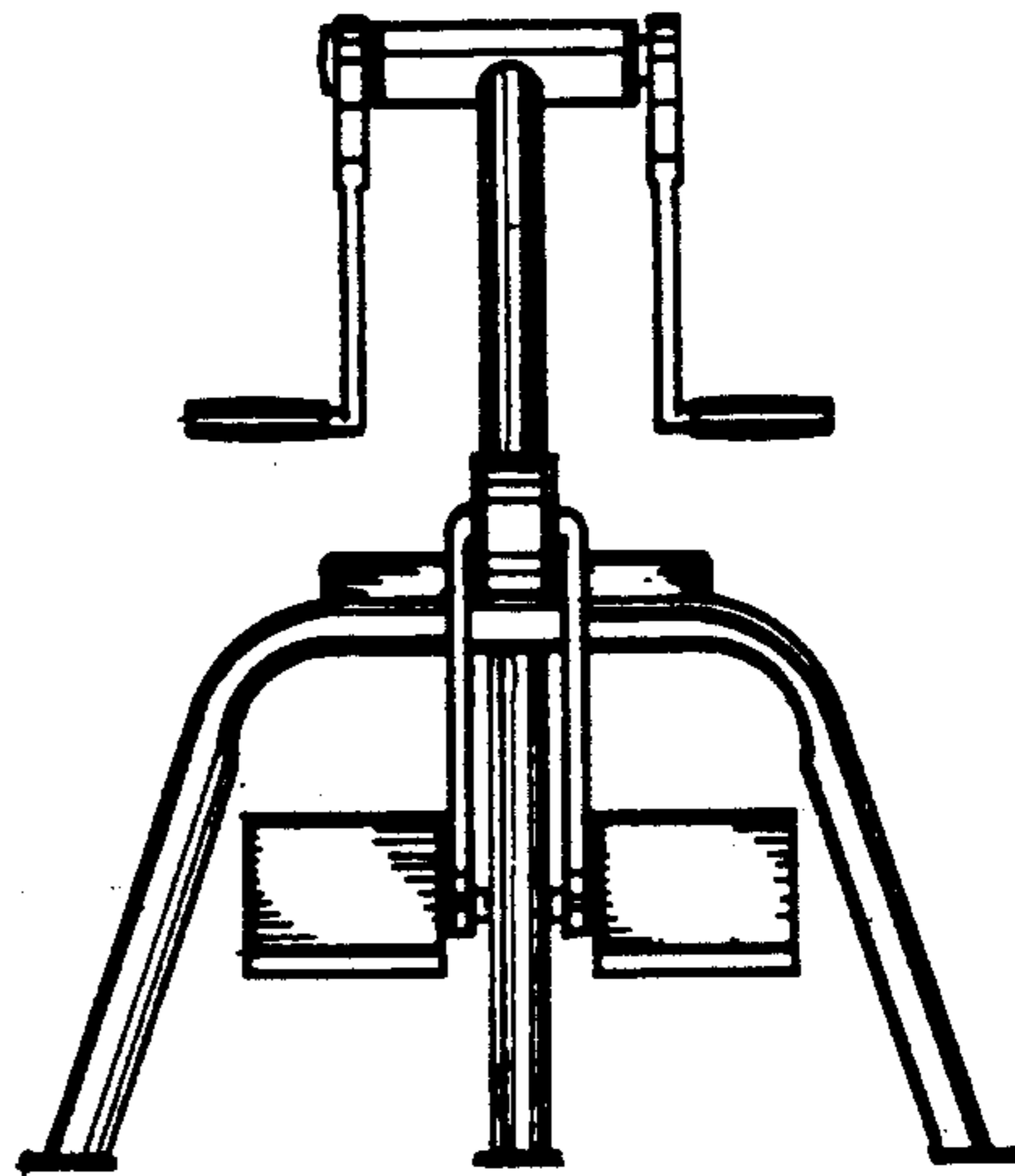


FIG. 2

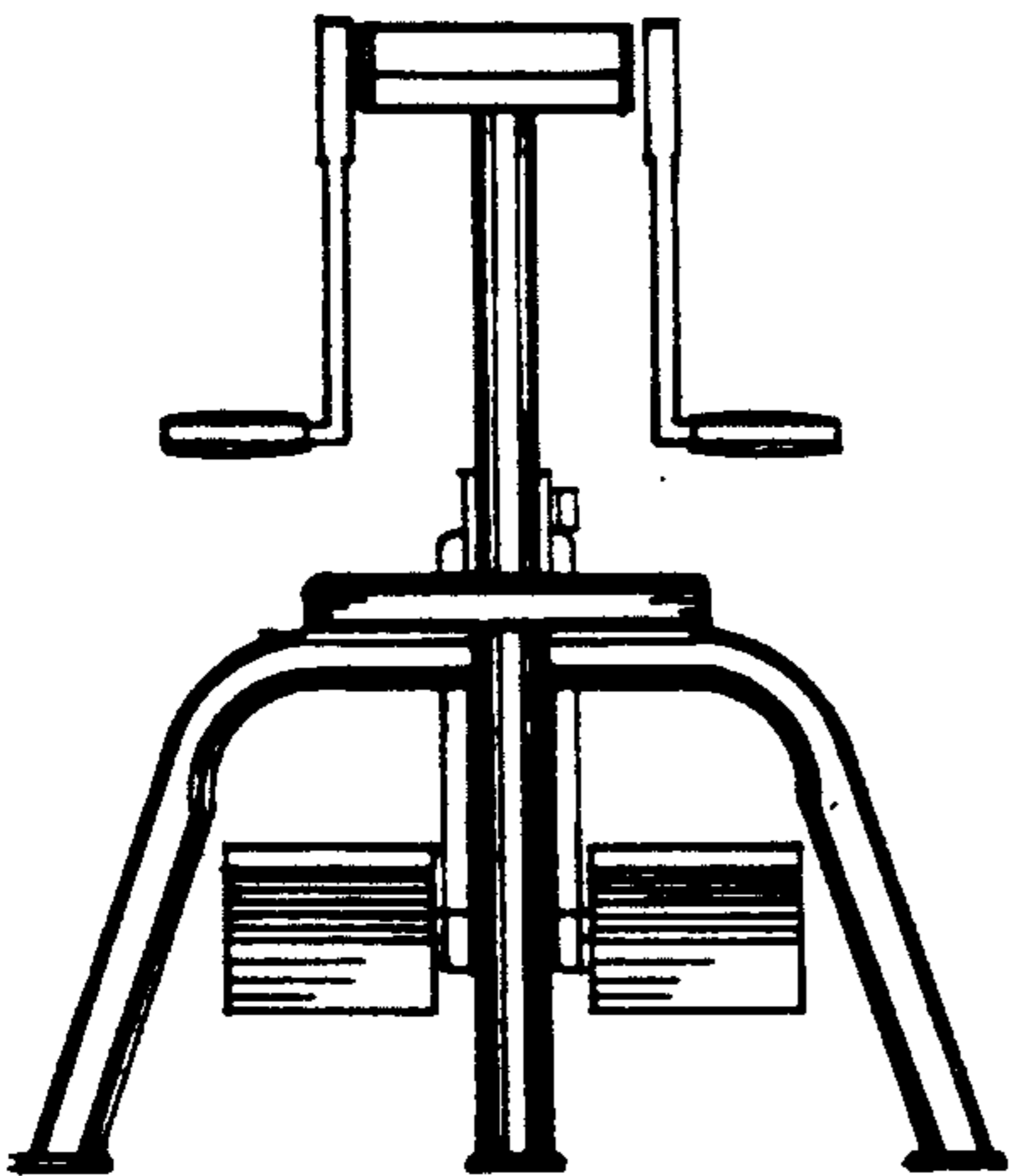


FIG. 3

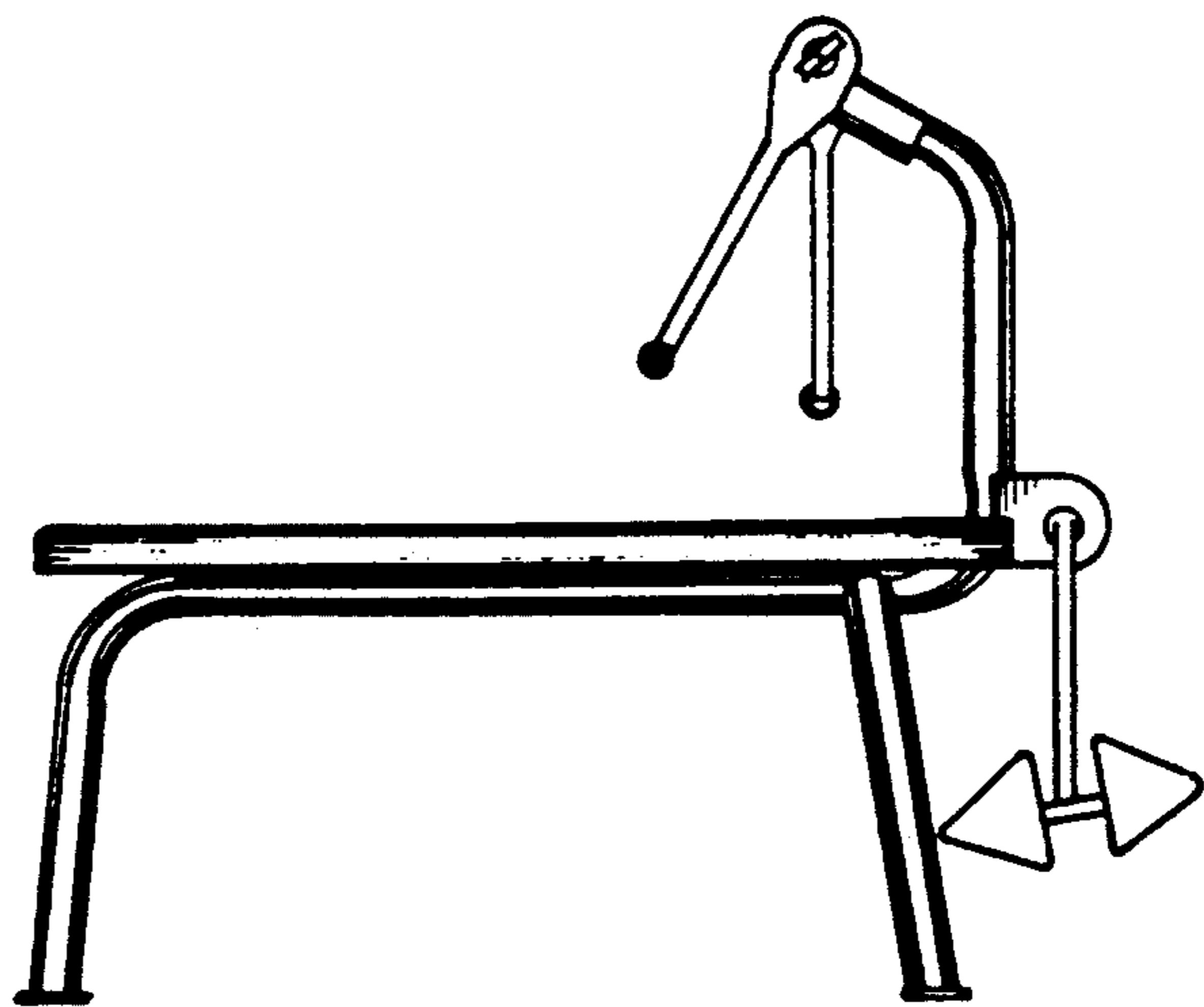


FIG. 4

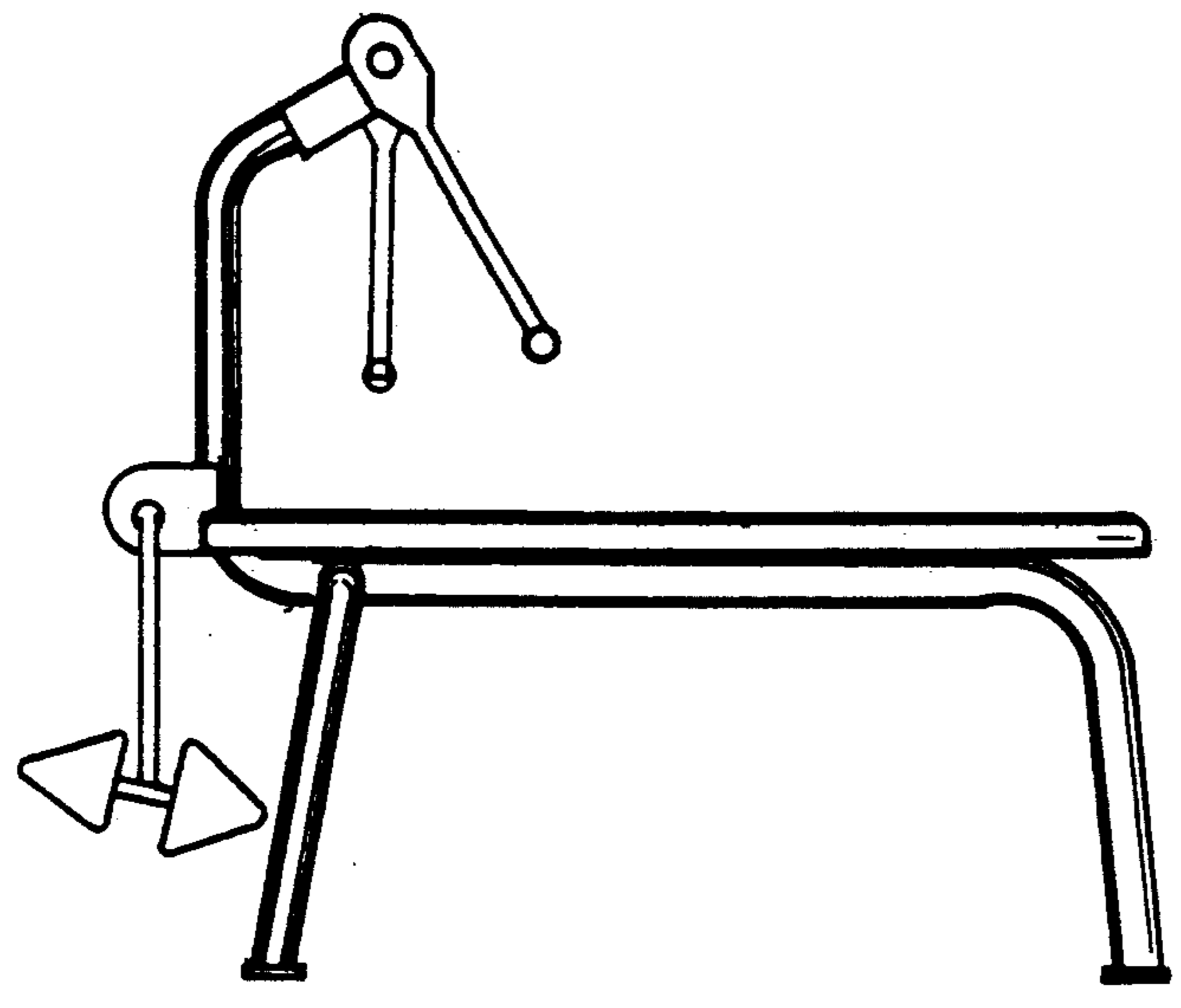


FIG. 5

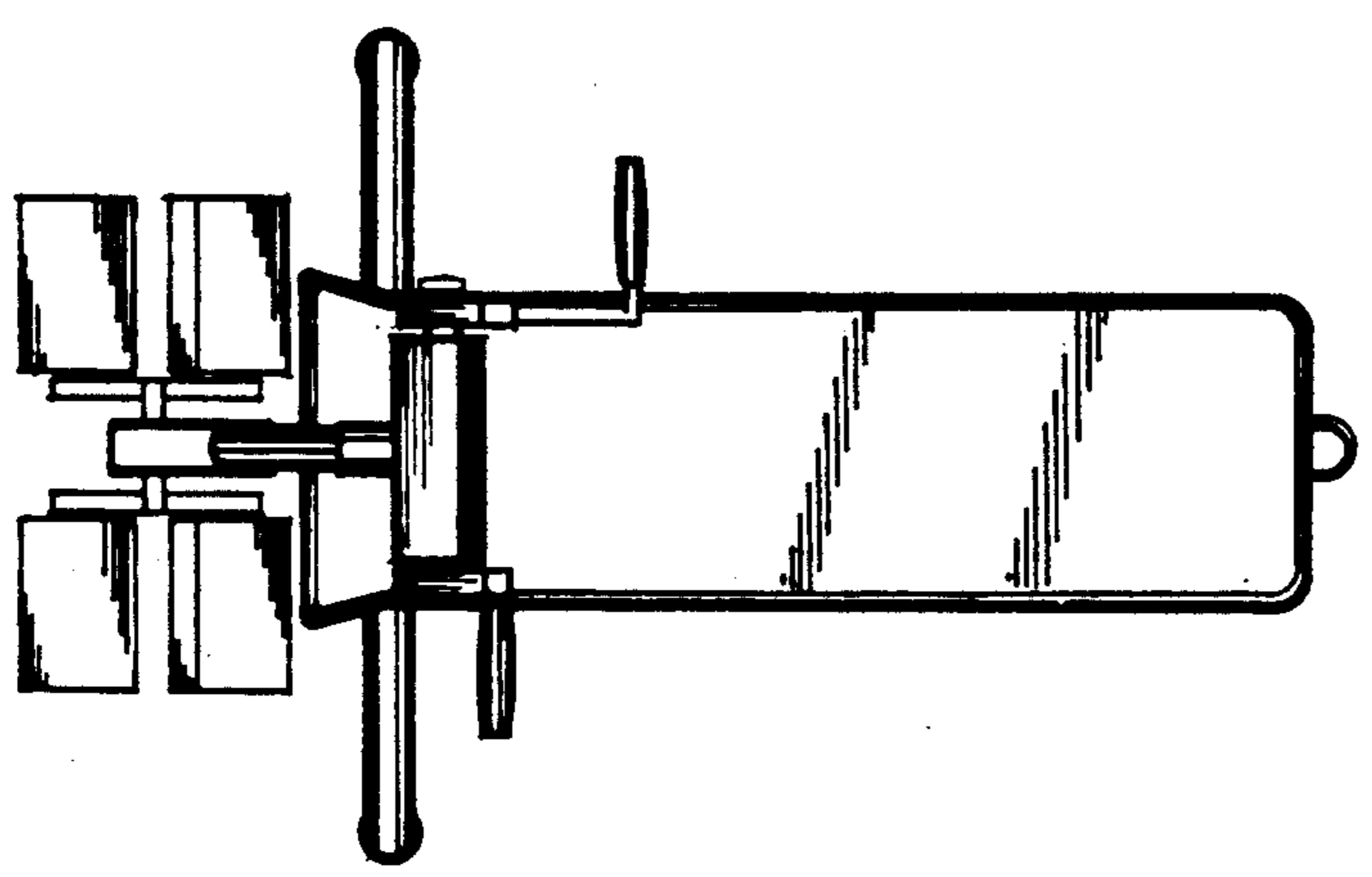


FIG. 6

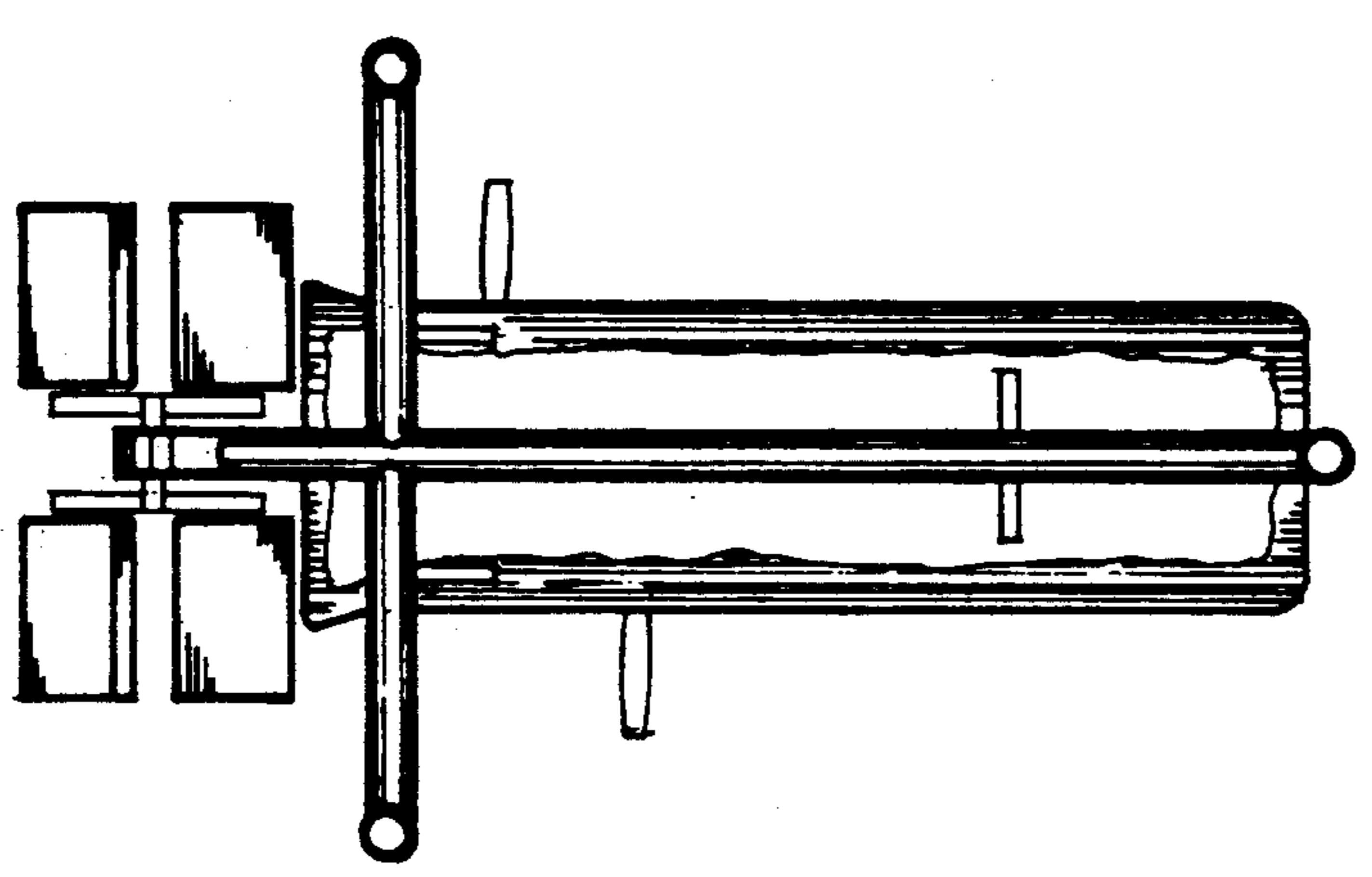


FIG. 7