



US00D343874S

United States Patent [19]

Messerli

[11] Patent Number: Des. 343,874

[45] Date of Patent: ** Feb. 1, 1994

[54] TOY FIGURE

[75] Inventor: Karl Messerli, Lupsingen, Switzerland

[73] Assignee: Gis-Handels AG, Lupsingen, Switzerland

[**] Term: 14 Years

[21] Appl. No.: 843,967

[22] Filed: Feb. 28, 1992

[52] U.S. Cl. D21/148; D21/185

[58] Field of Search 446/369; D21/148, 155

[56] References Cited

U.S. PATENT DOCUMENTS

D. 267,665 1/1983 Robinson D21/148

D. 288,106 2/1987 Dotson, Jr. D21/185
D. 327,926 7/1992 Carr D21/185

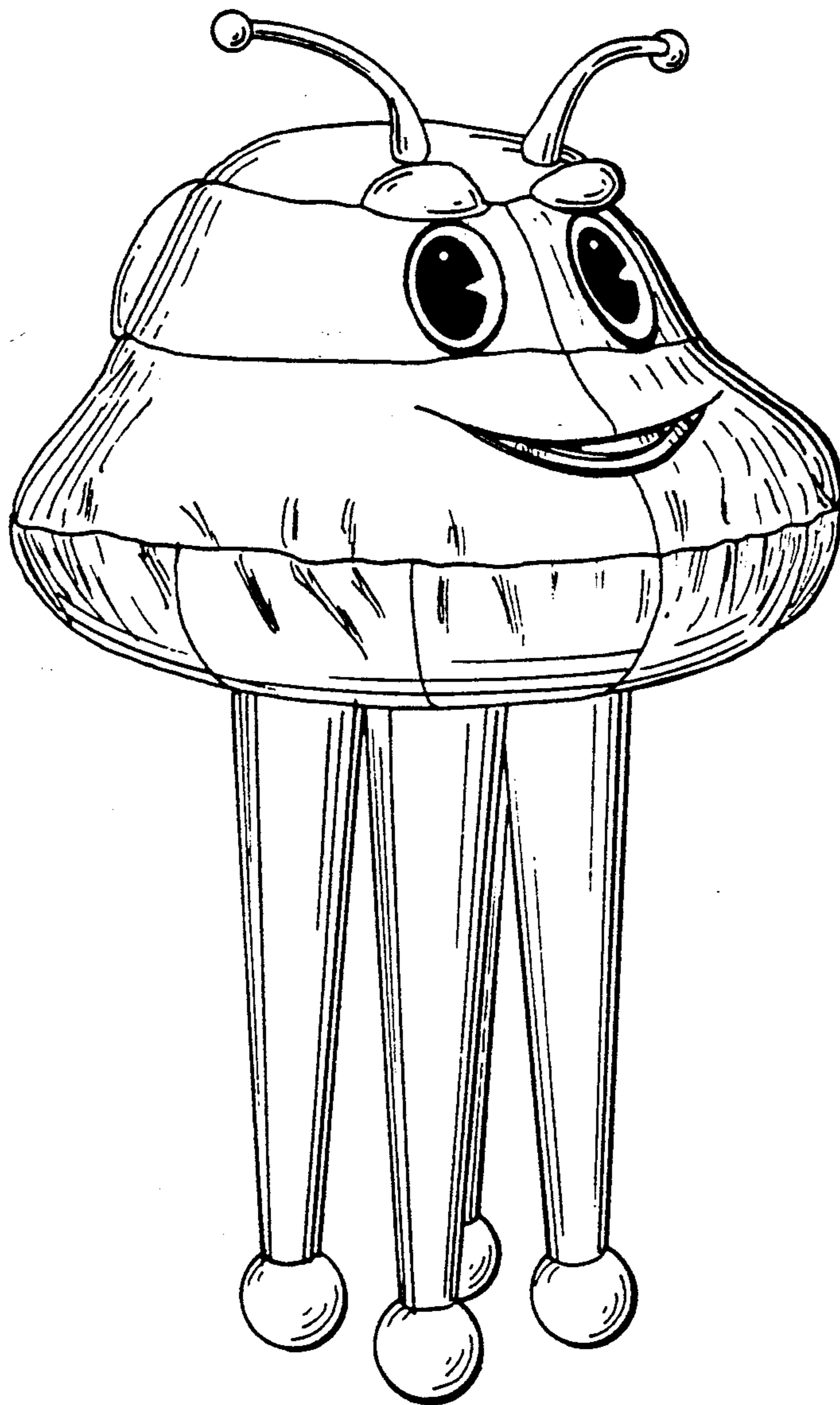
Primary Examiner—Melvin B. Feifer
Attorney, Agent, or Firm—Anderson Kill Olick & Oshinsky

[57] CLAIM

The ornamental design for a toy figure, as shown and described.

DESCRIPTION

FIG. 1 is a perspective front view of a toy figure showing my new design;
FIG. 2 is a top view thereof;
FIG. 3 is a side elevational view thereof;
FIG. 4 is a rear elevational view thereof; and,
FIG. 5 is a bottom view thereof.



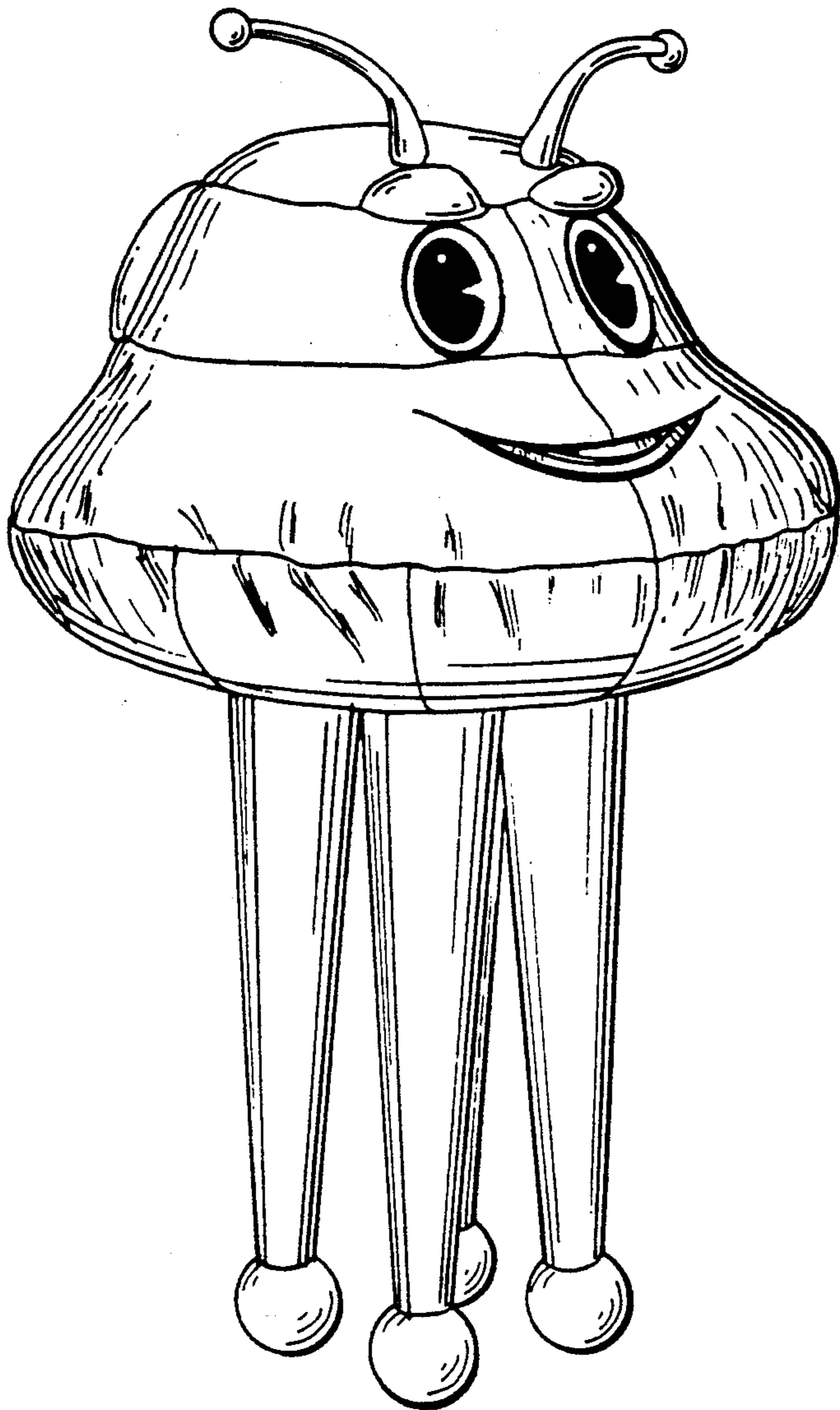


FIG. 1

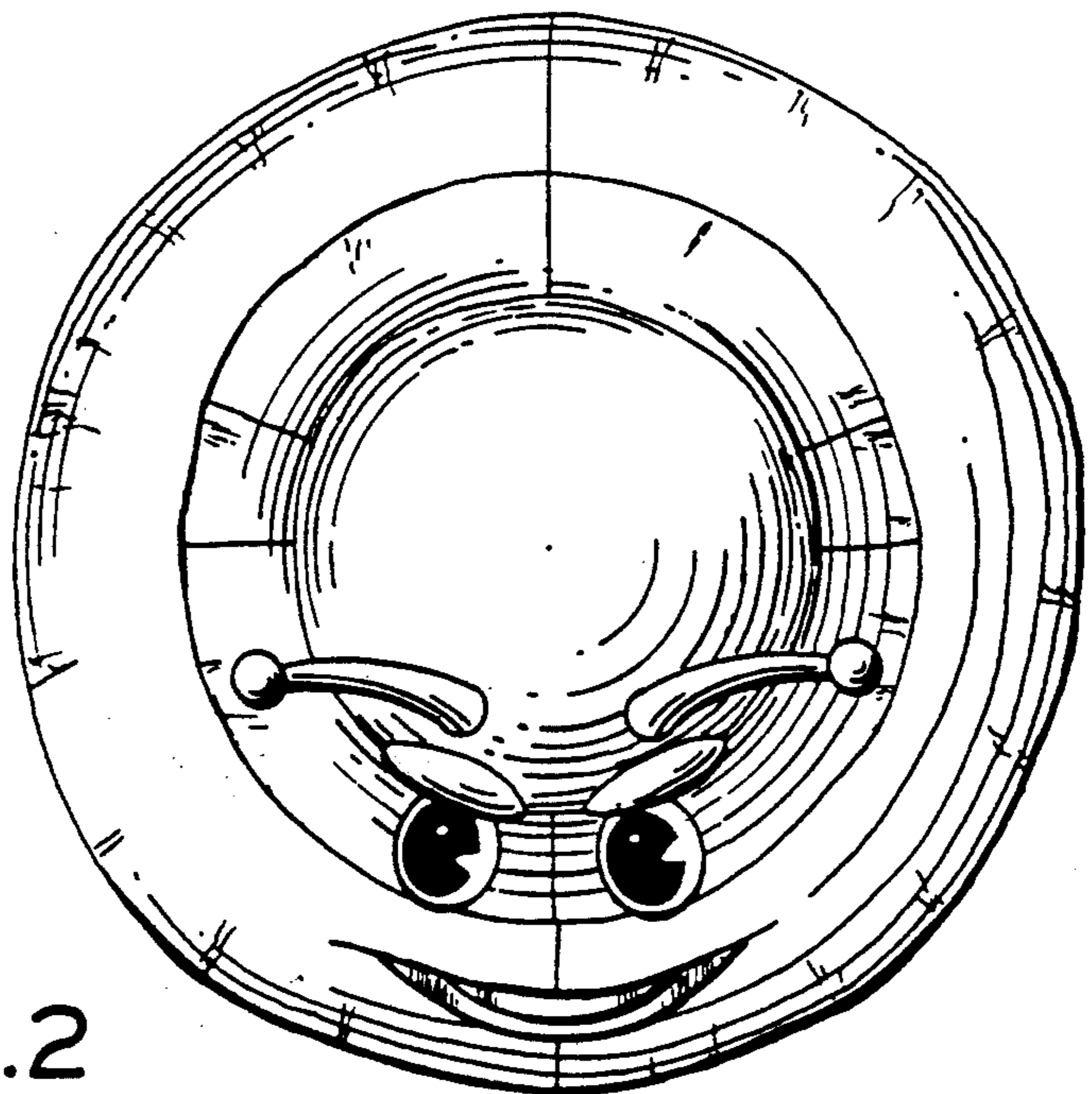


FIG. 2

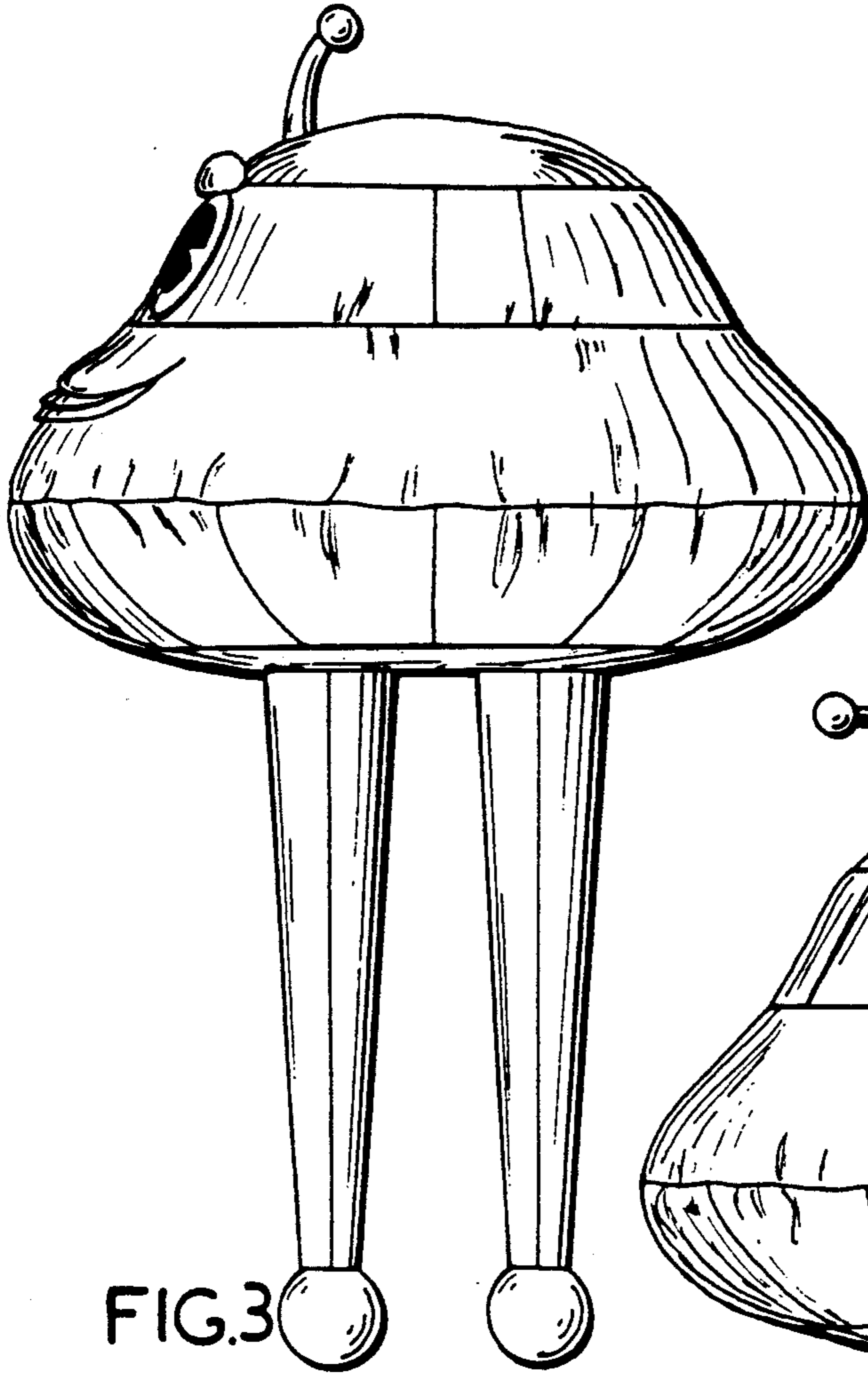


FIG.3

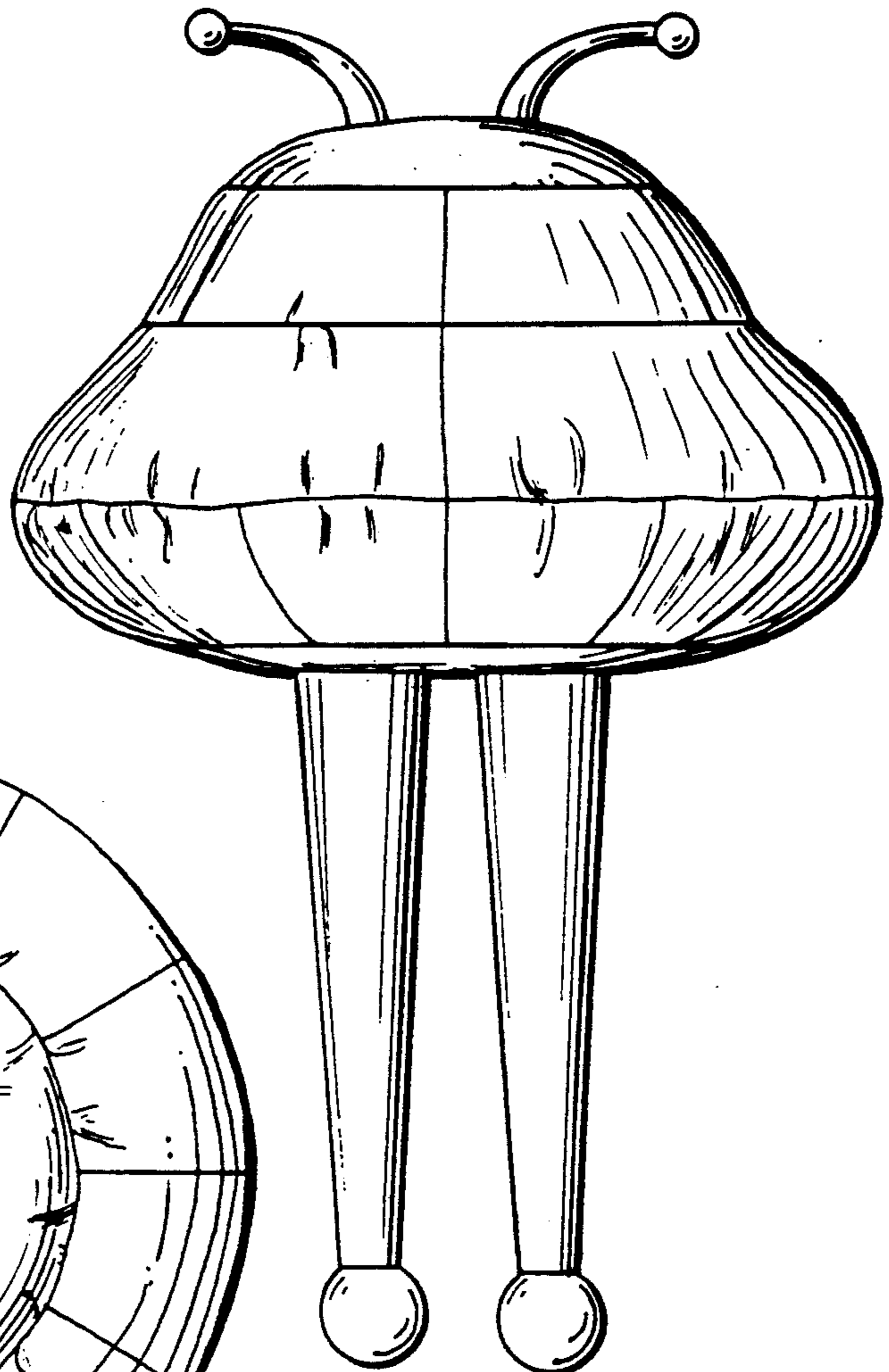


FIG.4

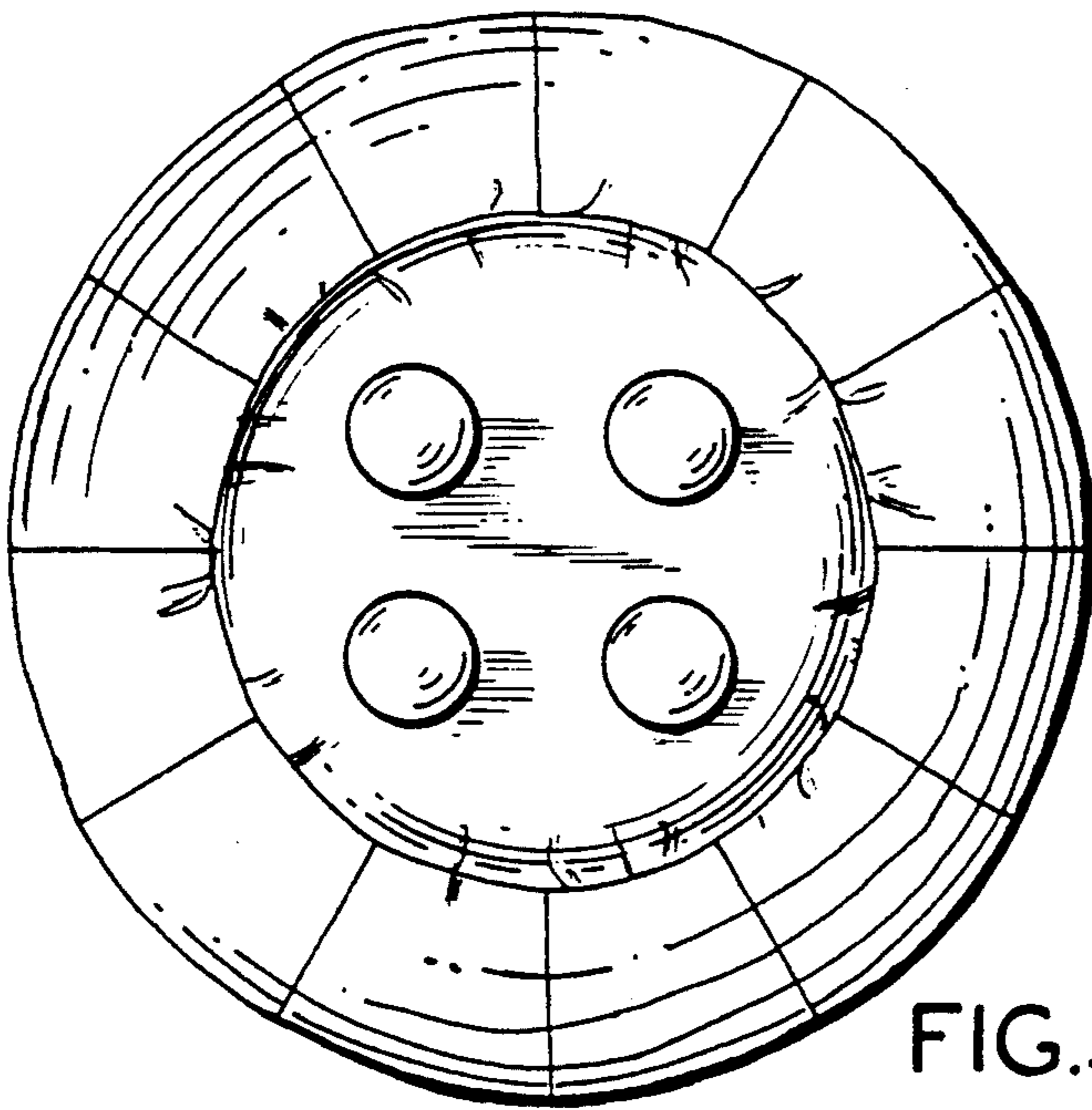


FIG.5