



US00D343867S

# United States Patent [19]

[11] Patent Number: **Des. 343,867**

**Mendelsohn**

[45] Date of Patent: **\*\* Feb. 1, 1994**

[54] **ADVERTISEMENT STAND FOR GRAPHIC DESSERT DISPLAY**

2,142,826	1/1939	Rosello .....	40/124.1
2,343,741	3/1944	Blechta .....	40/124.1
2,427,629	9/1947	Smith et al. ....	40/124.1

[76] Inventor: **Joseph H. Mendelsohn, 4208 Inverrary Blvd., Suite 80A, Lauderhill, Fla. 33319**

*Primary Examiner*—Wallace R. Burke  
*Assistant Examiner*—Marcus Jackson  
*Attorney, Agent, or Firm*—Malin, Haley, DiMaggio & Crosby

[\*\*] Term: **14 Years**

[57] **CLAIM**

[21] Appl. No.: **1,459**

The ornamental design for the advertisement stand for graphic dessert display, as shown and described.

[22] Filed: **Nov. 13, 1992**

**DESCRIPTION**

[52] U.S. Cl. .... **D20/40**

[58] Field of Search ..... 40/1, 124, 124.1, 124.2, 40/152, 152.1, 584, 590, 591, 592, 593; D6/329, 332; D20/10, 39, 40, 41, 42

FIG. 1 is a front elevational view of the advertisement stand for graphic dessert display showing the new design;

[56] **References Cited**

FIG. 2 is a top plan view thereof;

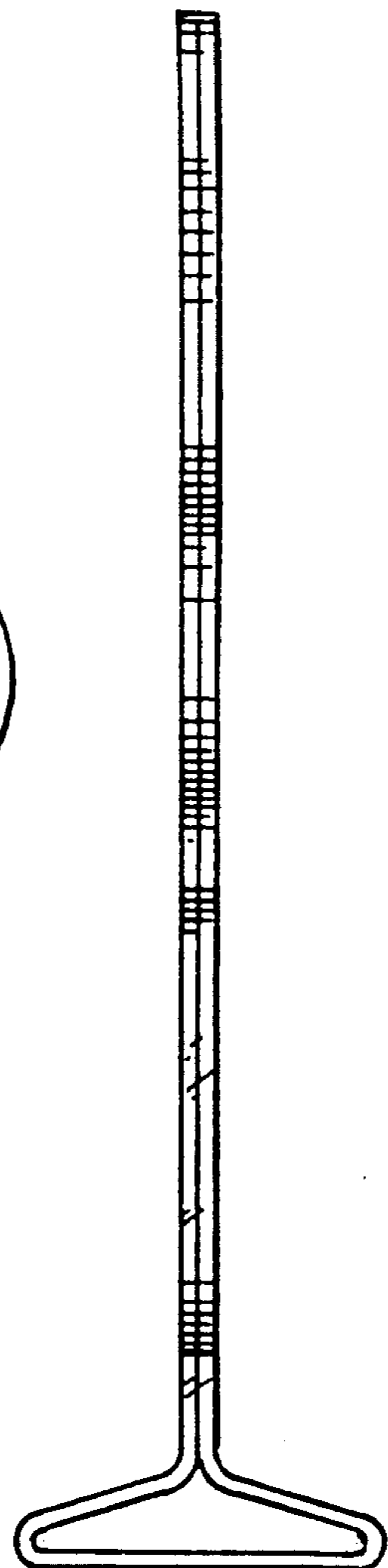
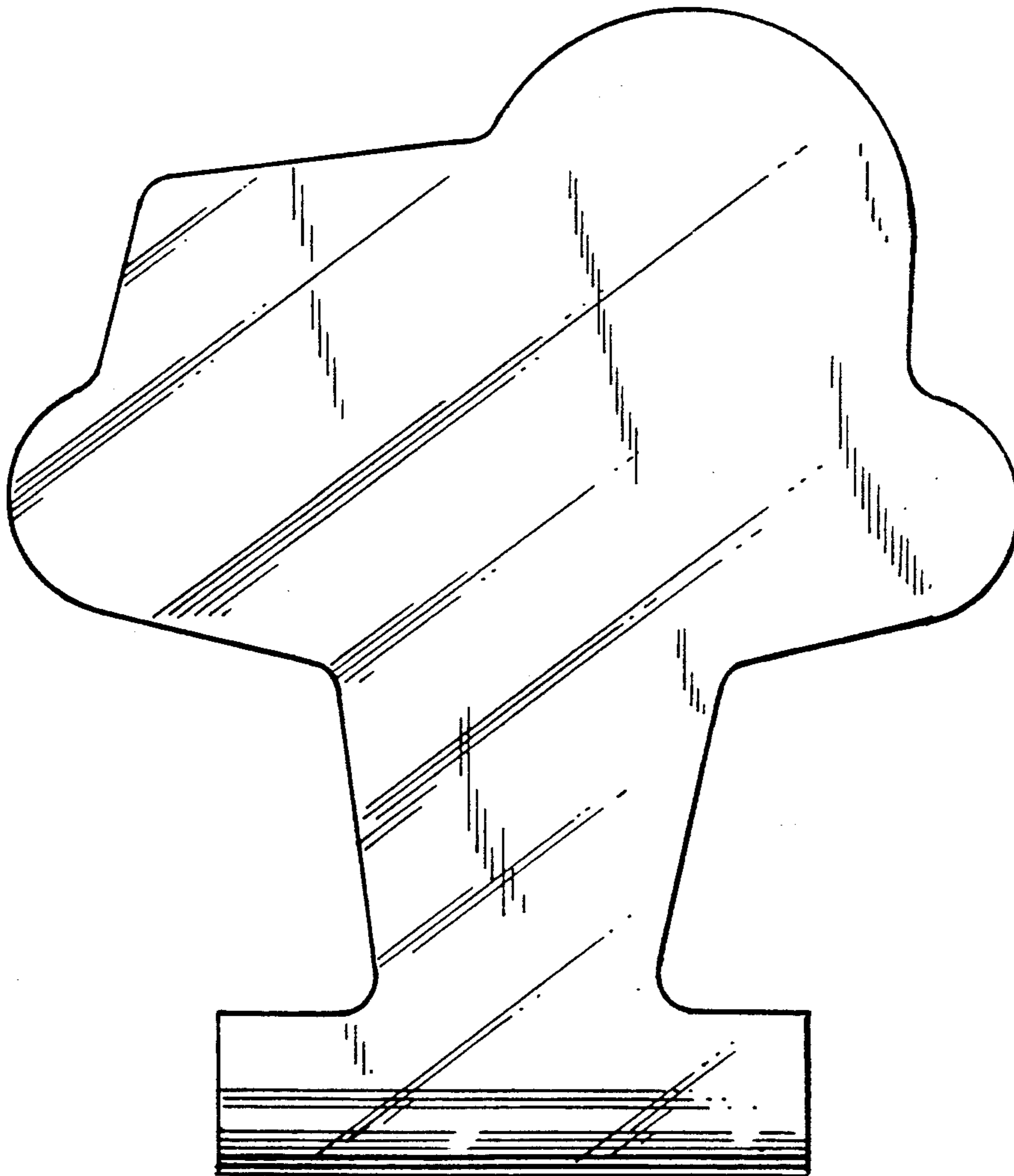
**U.S. PATENT DOCUMENTS**

FIG. 3 is a bottom view thereof;

2,113,406 4/1938 Koeble ..... 40/124.1

FIG. 4 is a right side elevational view thereof; and,

FIG. 5 is a left side elevational view thereof.



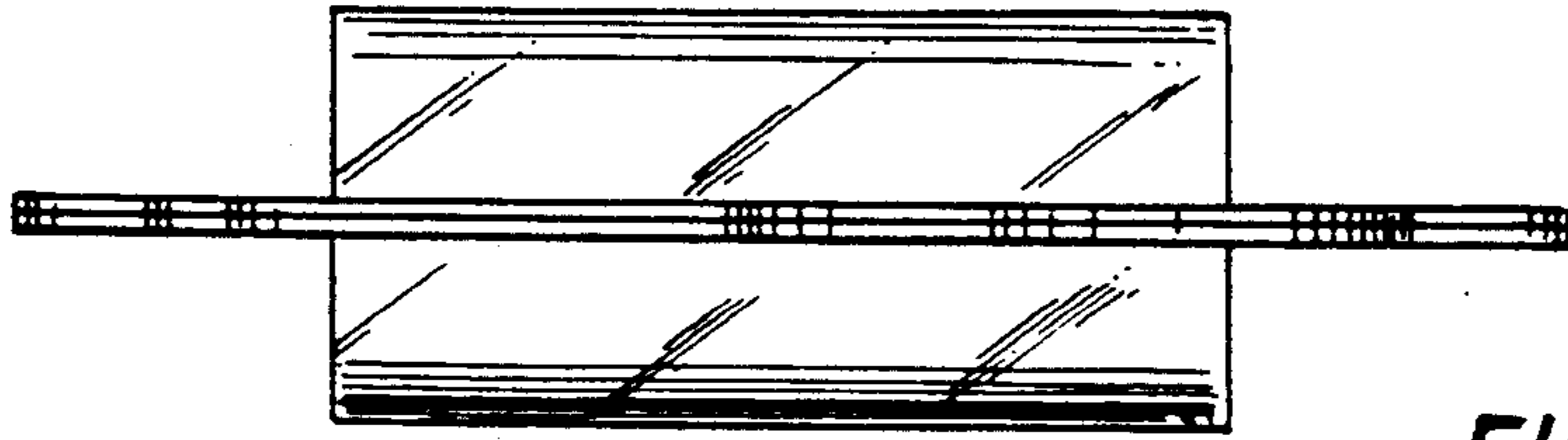


FIG. 2.

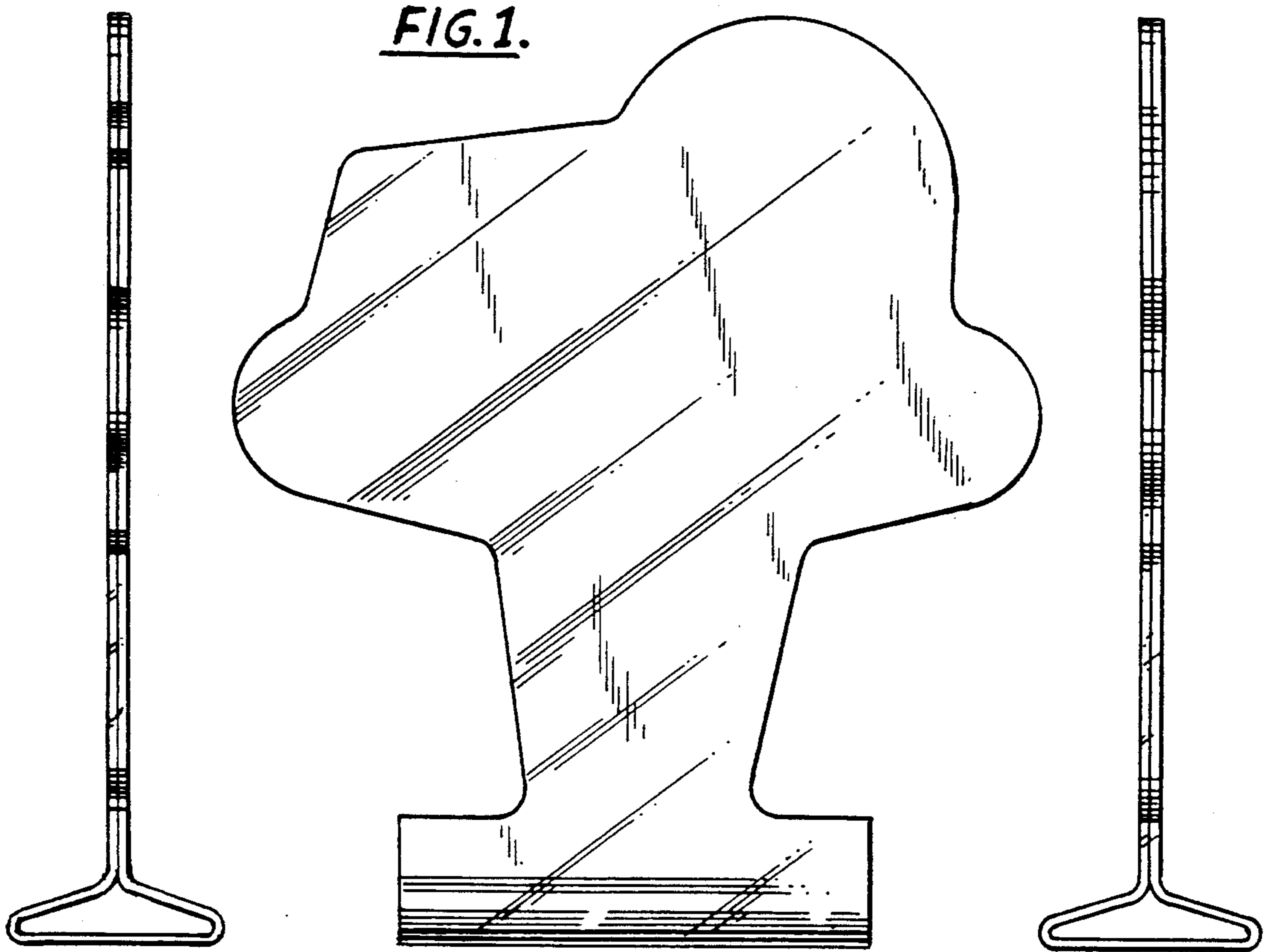


FIG. 1.

FIG. 5.

FIG. 4.

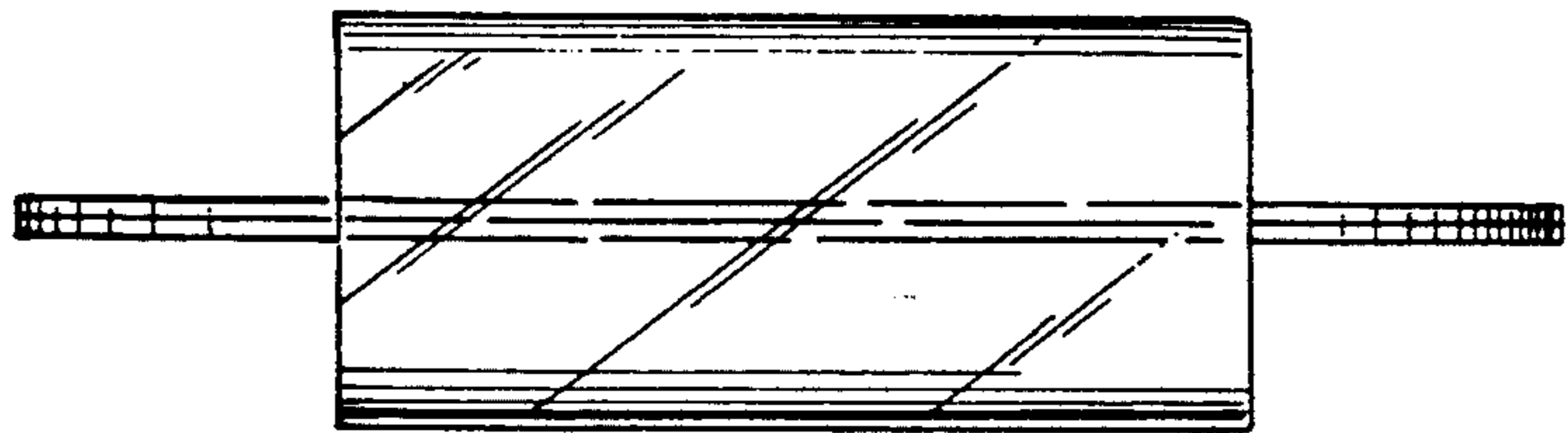


FIG. 3.