



US00D343866S

United States Patent [19]
Pearce

[11] **Patent Number: Des. 343,866**

[45] **Date of Patent: ** Feb. 1, 1994**

[54] **APPLIQUE FOR USE WITH A CEILING FAN**

[75] **Inventor: Richard A. Pearce, Memphis, Tenn.**

[73] **Assignee: Hunter Fan Company, Memphis, Tenn.**

[**] **Term: 14 Years**

[21] **Appl. No.: 7,465**

[22] **Filed: Apr. 23, 1993**

Related U.S. Application Data

[62] **Division of Ser. No. 835,264, Feb. 13, 1992.**

[52] **U.S. Cl. D20/11**

[58] **Field of Search D23/377, 379, 385, 411, D23/386; D21/87; D12/319, 214; D20/11**

[56] **References Cited**

PUBLICATIONS

How To Identify War Planes—Friend or Enemy,

© 1942, Plane (A), p. 7, middle right side of page, and Plane (B), p. 31, bottom right side of page.

Primary Examiner—Wallace R. Burke
Assistant Examiner—Lisa Lichtenstein
Attorney, Agent, or Firm—Heiskell, Donelson, Bearman, Adams, Williams & Caldwell

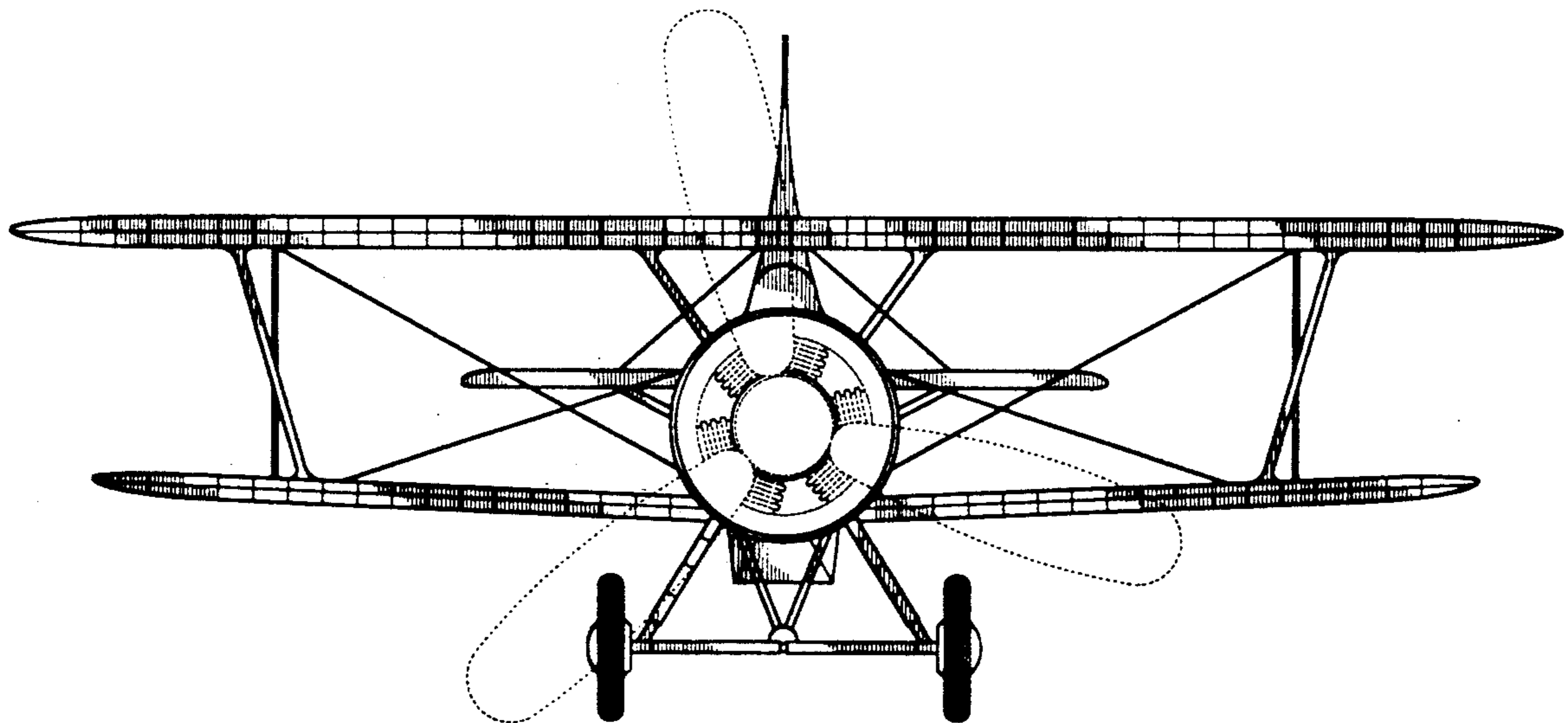
[57] **CLAIM**

The ornamental design for an applique for use with a ceiling fan, as shown and described.

DESCRIPTION

FIG. 1 is a front elevational view of an applique for use with a ceiling fan showing my design; and, FIG. 2 is a rear elevational view of the applique shown in FIG. 1.

The broken line drawing of a ceiling fan shown in FIG. 2 is for illustrative purposes only, and forms no part of the claimed design.



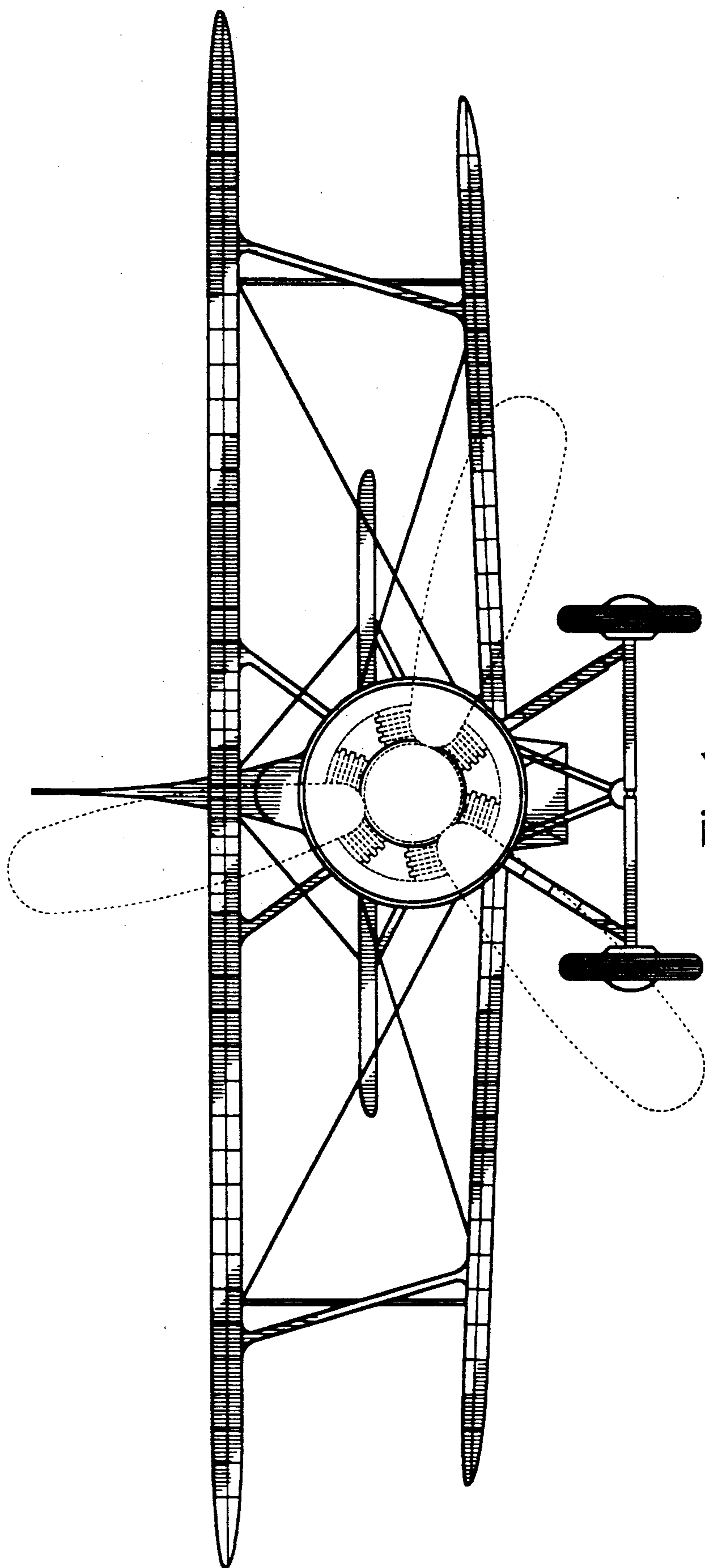


Fig.1

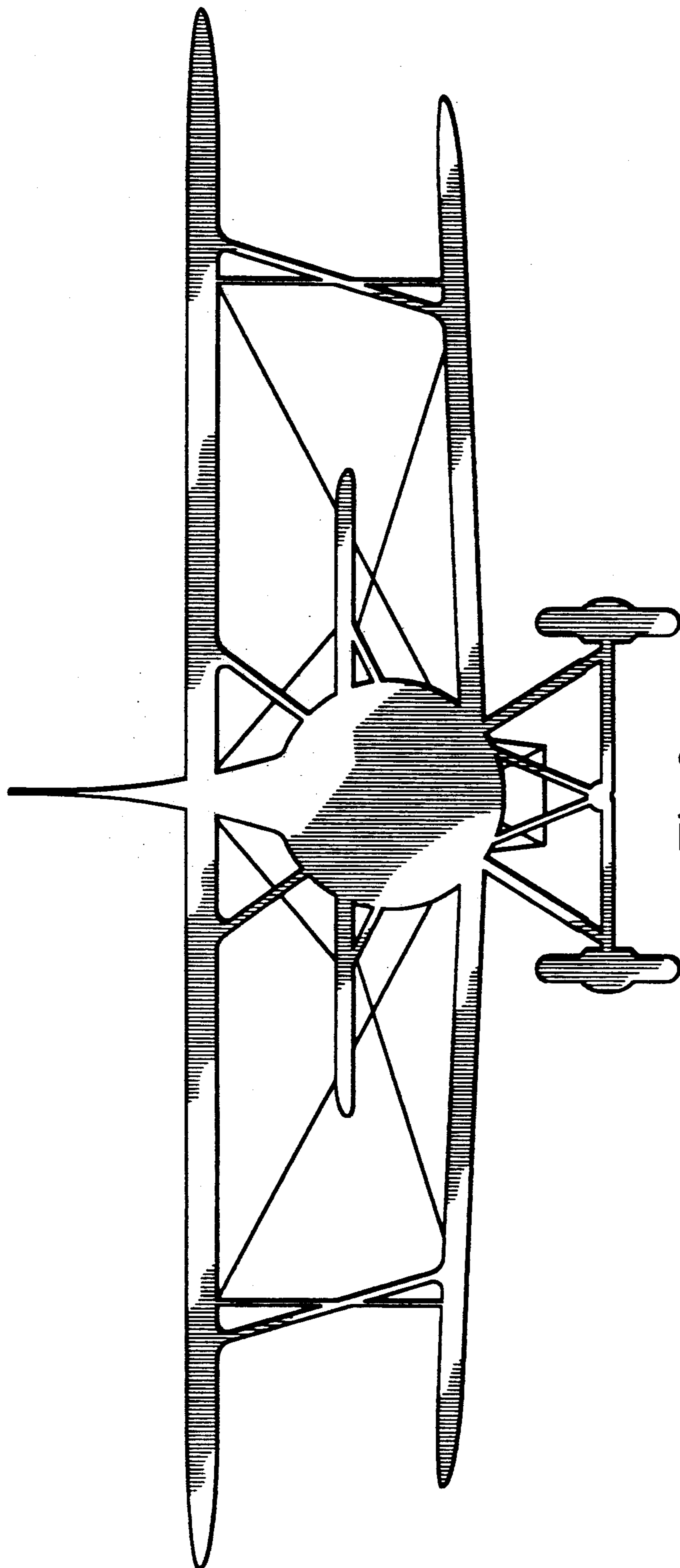


Fig. 2