



US00D343865S

# United States Patent [19]

[11] Patent Number: **Des. 343,865**

**Pohl**

[45] Date of Patent: **\*\* Feb. 1, 1994**

[54] **COMBINED VISOR-MOUNTABLE WRITING BOARD AND MARKING INSTRUMENT**

[76] Inventor: **Louise Pohl, 1179 Wild Rose Dr., Santa Rosa, Calif. 95401**

[\*\*] Term: **14 Years**

[21] Appl. No.: **786,921**

[22] Filed: **Oct. 31, 1991**

[52] U.S. Cl. .... **D19/78; D12/191; D19/52; D19/84**

[58] Field of Search ..... **224/312; 296/97.1, 97.2, 296/97.12, 97.5; 160/DIG. 3; D12/191; D19/35, 36, 52, 78, 86, 90, 91, 99, 100**

[56] **References Cited**

**U.S. PATENT DOCUMENTS**

- D. 119,284 3/1940 Rosenberg ..... D19/78
- D. 160,746 10/1950 Schumann ..... D12/191
- D. 168,707 1/1953 Pavenick ..... D12/191
- D. 228,202 8/1973 Quenot ..... D19/78 X
- D. 273,002 3/1984 Schafer ..... D12/191

- D. 274,065 5/1984 Poutchat ..... D19/78
- D. 319,262 8/1991 Brinker et al. .... D19/78 X
- D. 325,554 4/1992 Min-Jenn ..... D12/191
- D. 327,778 10/1991 Palett ..... D12/191

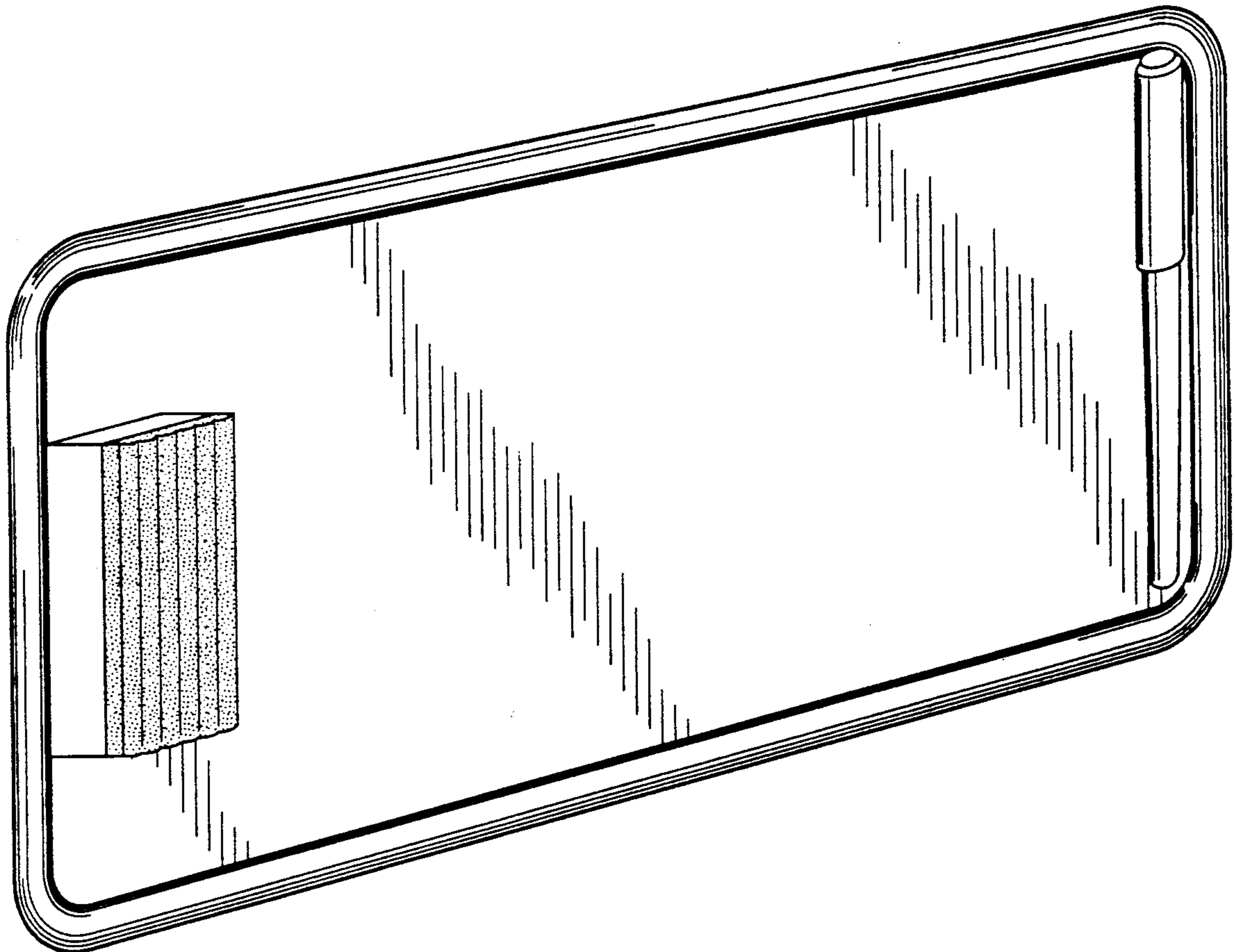
*Primary Examiner*—Nelson C. Holtje  
*Assistant Examiner*—Martie Thompson  
*Attorney, Agent, or Firm*—Malcolm B. Wittenberg

[57] **CLAIM**

The ornamental design for a combined visor-mountable writing board and marking instrument, as shown and described.

**DESCRIPTION**

FIG. 1 is a top, left front perspective view of a combined visor-mountable writing board and marking instrument showing my new design; FIG. 2 is a front elevational view; FIG. 3 is a right side elevational view; FIG. 4 is a rear elevational view; FIG. 5 is a left side elevational view; FIG. 6 is a top plan view; and, FIG. 7 is a bottom plan view.



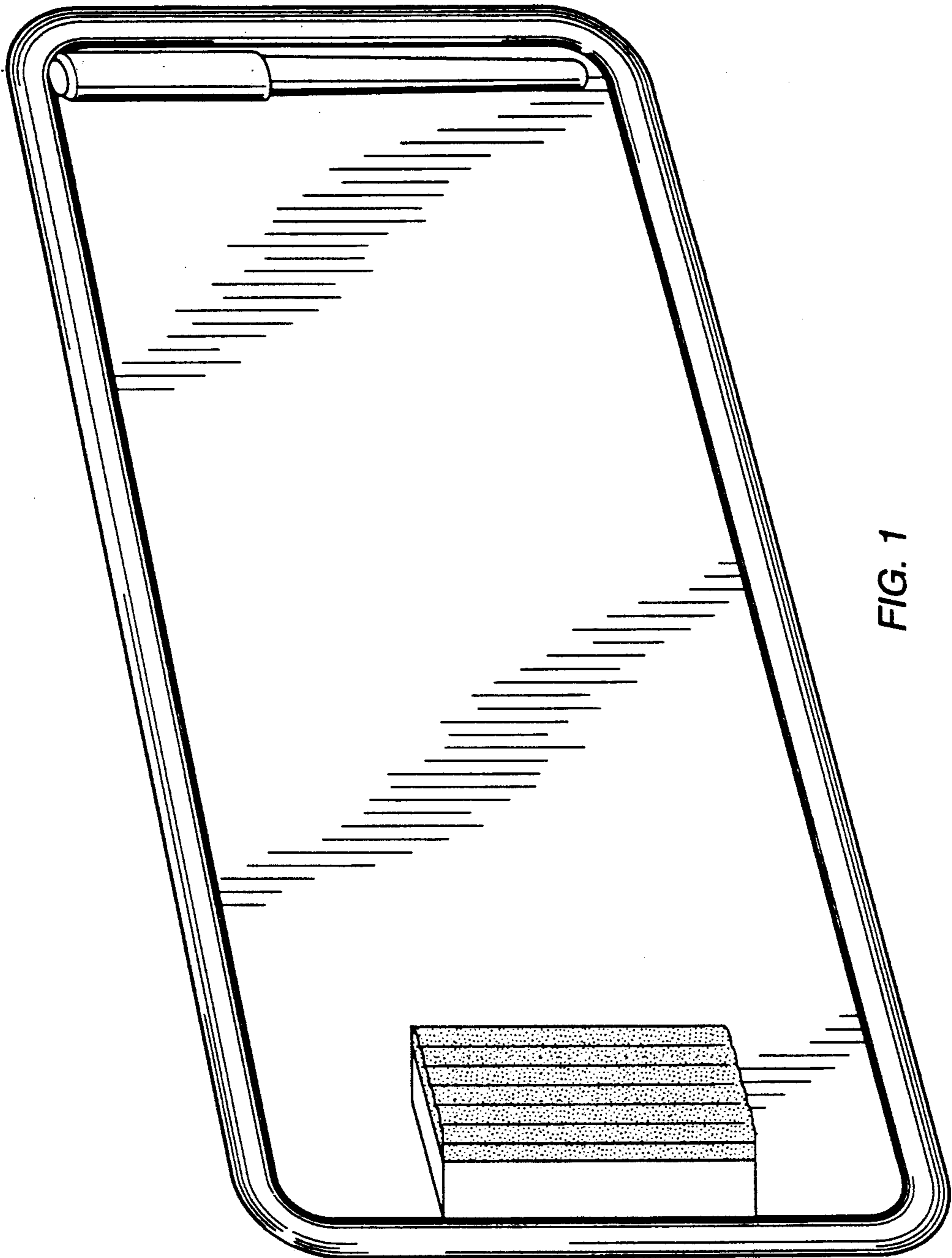


FIG. 1

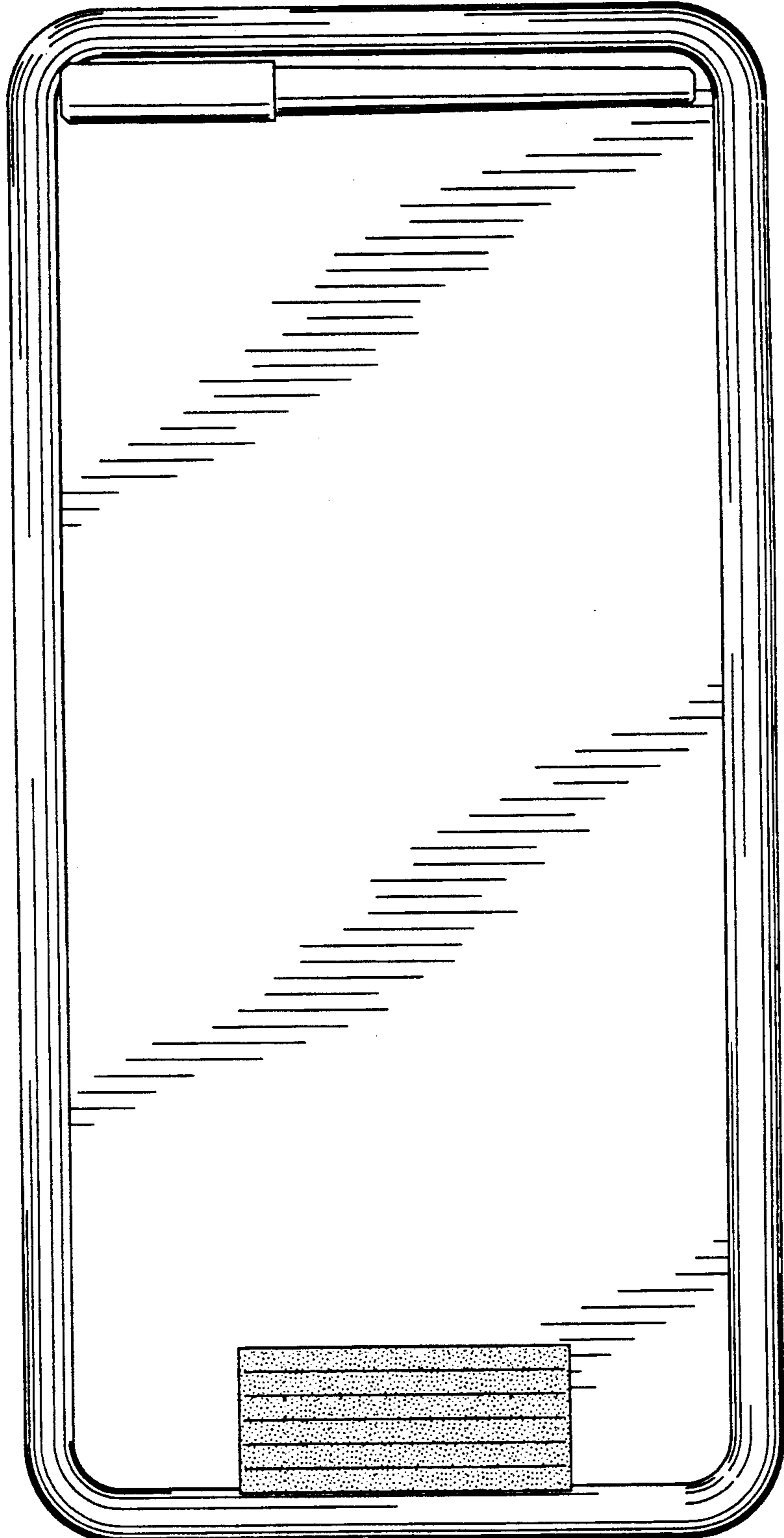


FIG. 2

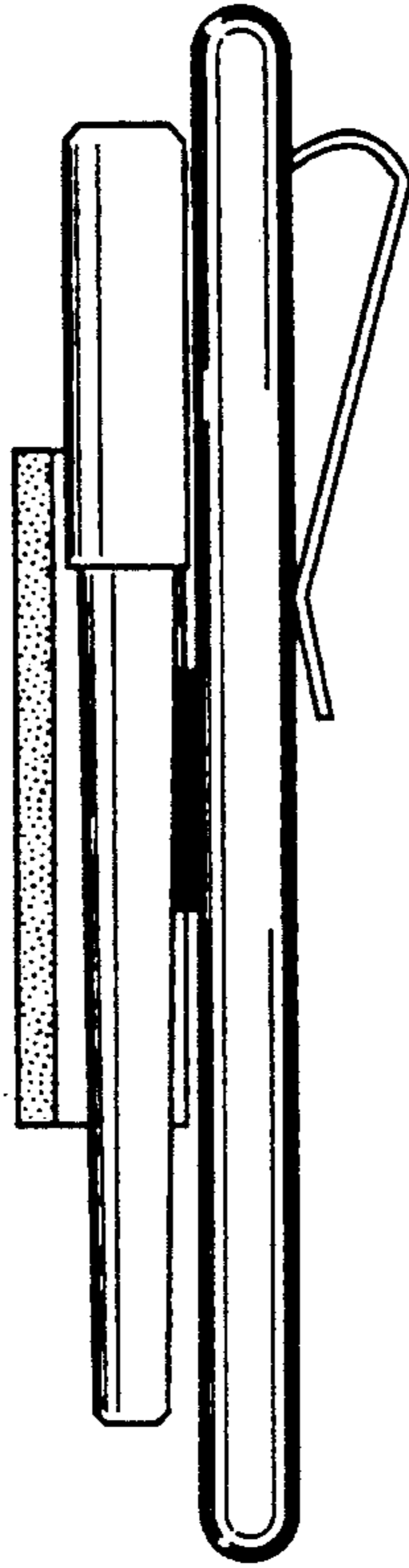


FIG. 3

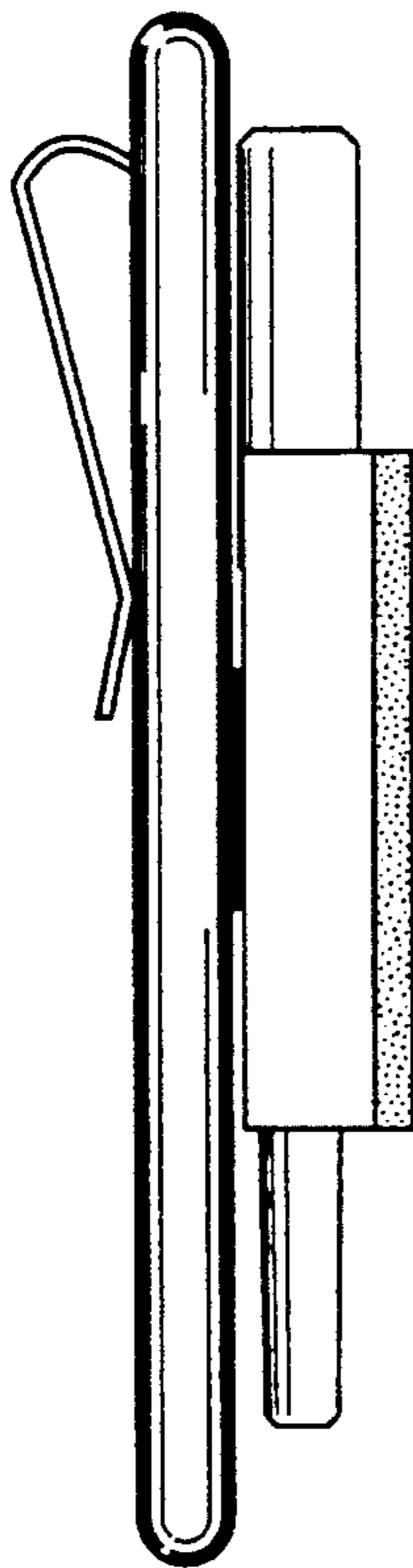


FIG. 5

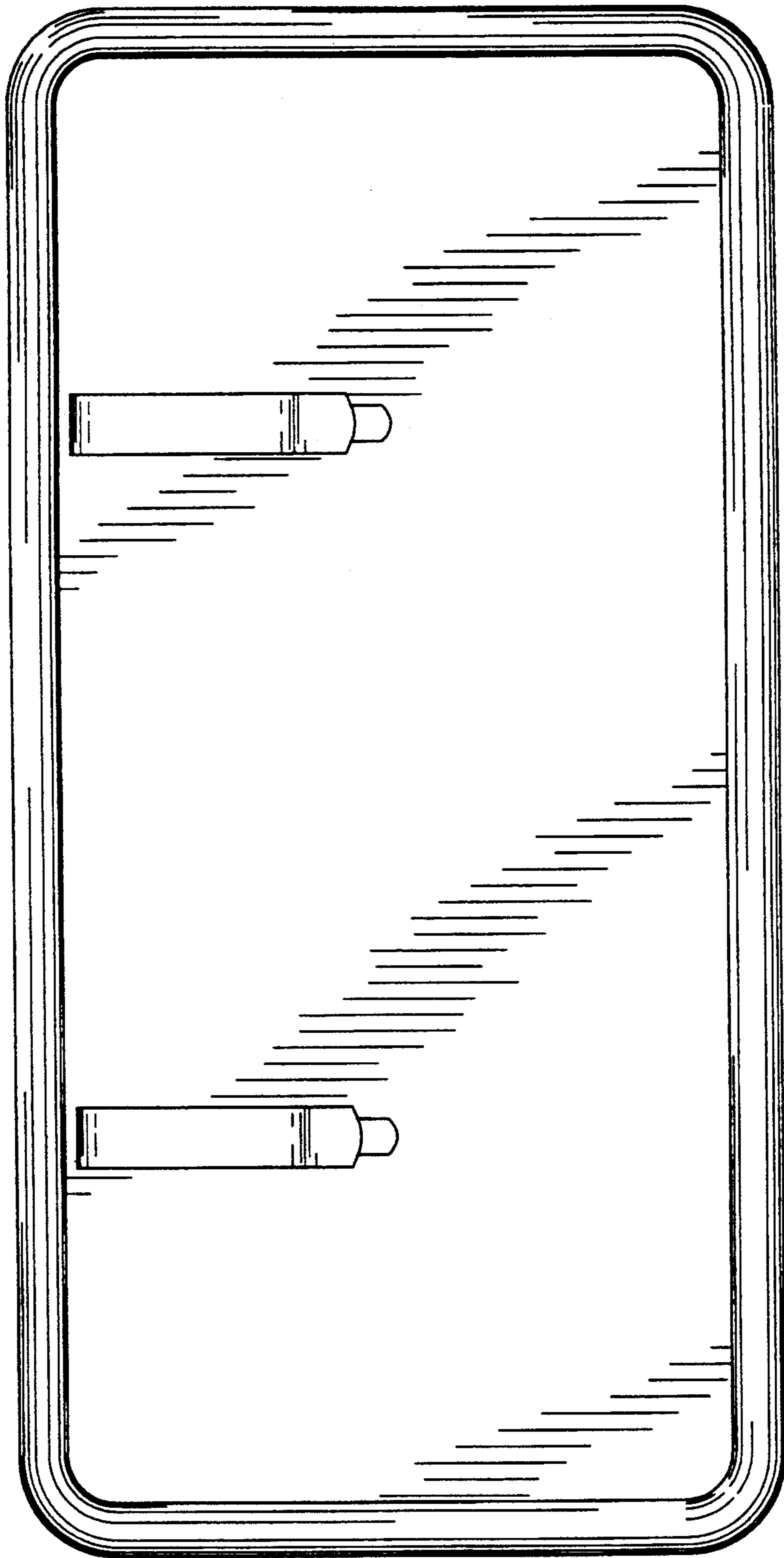


FIG. 4

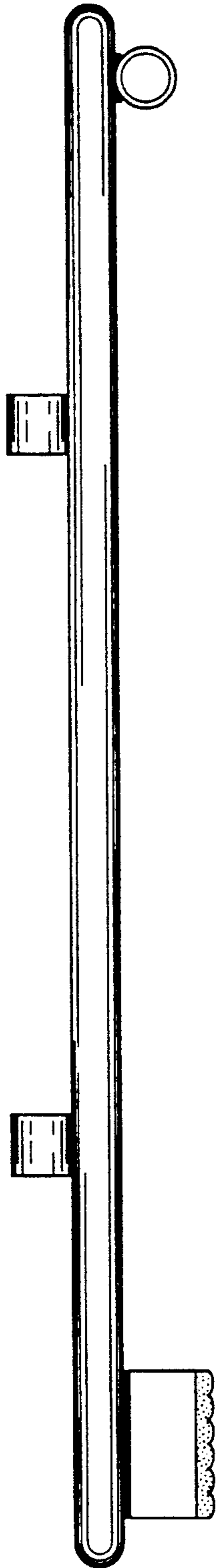


FIG. 6

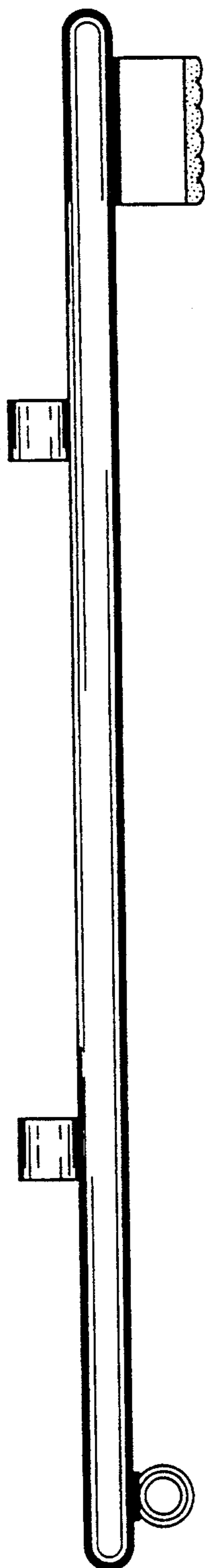


FIG. 7