



US00D343863S

United States Patent [19]

Gits

[11] Patent Number: **Des. 343,863**

[45] Date of Patent: **** Feb. 1, 1994**

[54] **POWERED STIPPLER**

[76] Inventor: **Remi J. Gits, 500 W. Cermak Suite 501, Chicago, Ill. 60616-1818**

[**] Term: **14 Years**

[21] Appl. No.: **827,829**

[22] Filed: **Jan. 28, 1992**

[52] U.S. Cl. **D19/35; D19/41**

[58] Field of Search **D8/51, 61; 81/9.22; 401/48; 173/49, 117; D19/35, 41**

D. 296,566 7/1988 Hori D8/49
 4,159,659 7/1979 Nightingale 81/9.22
 4,204,438 5/1980 Binaris et al. 81/9.22

Primary Examiner—Bernard Ansher
Assistant Examiner—Philip Hyder
Attorney, Agent, or Firm—Terry M. Gernstein

[57] CLAIM

The ornamental design for a powered stippler, as shown and described.

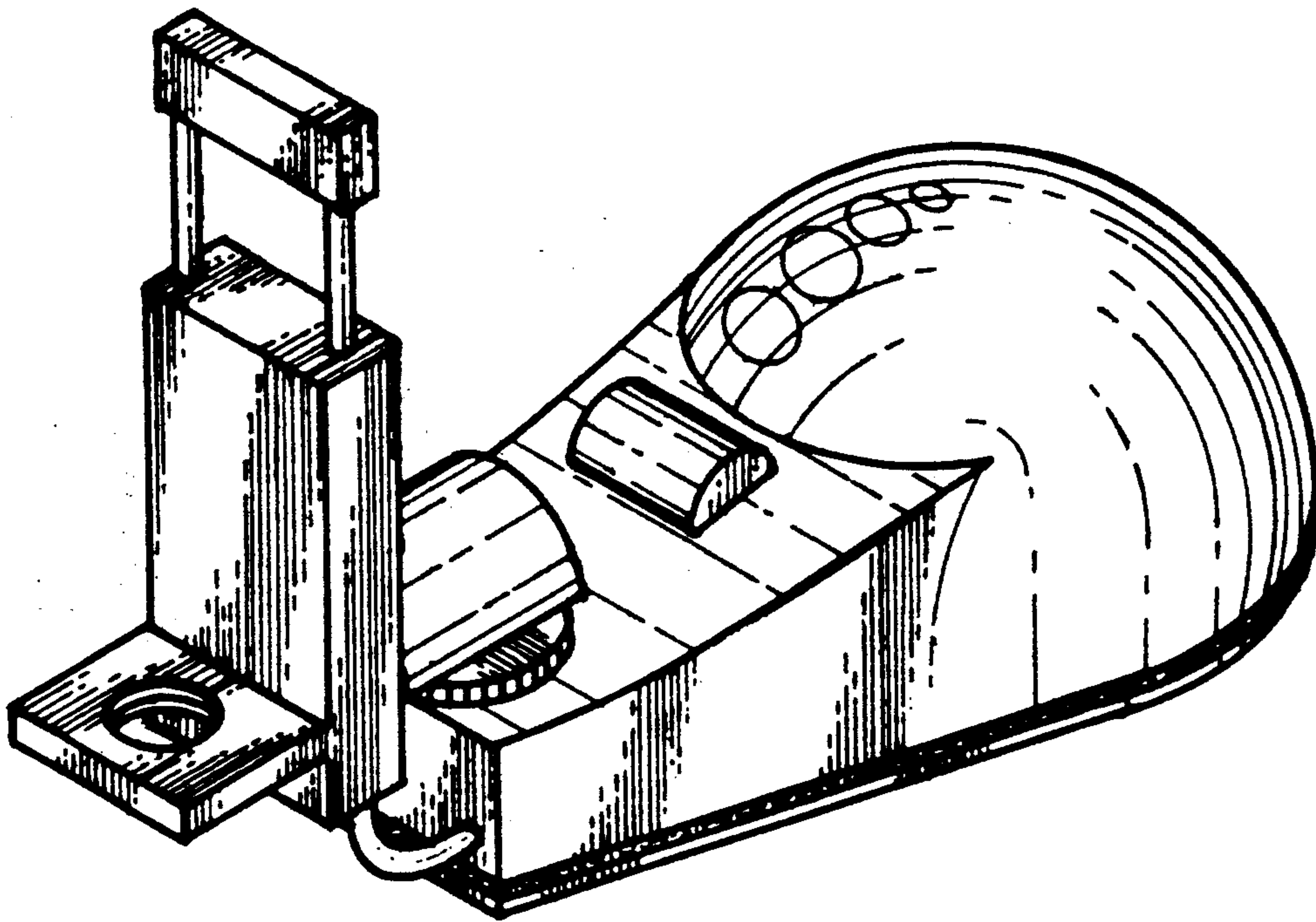
DESCRIPTION

FIG. 1 is a perspective view of a powered stippler showing my new design;
 FIG. 2 is a front end elevational view thereof;
 FIG. 3 is a rear end elevational view thereof;
 FIG. 4 is a left side elevational view thereof;
 FIG. 5 is a right side elevational view thereof;
 FIG. 6 is a top plan view thereof; and,
 FIG. 7 is a bottom view thereof.

[56] References Cited

U.S. PATENT DOCUMENTS

D. 254,706 4/1980 Barrett D8/49
 D. 262,378 12/1981 Baker D19/41
 D. 262,462 12/1981 Baker D19/35
 D. 262,976 2/1982 Koelichen, Jr. D19/41
 D. 263,153 2/1982 Baker D19/41
 D. 288,060 2/1987 Somers D8/49



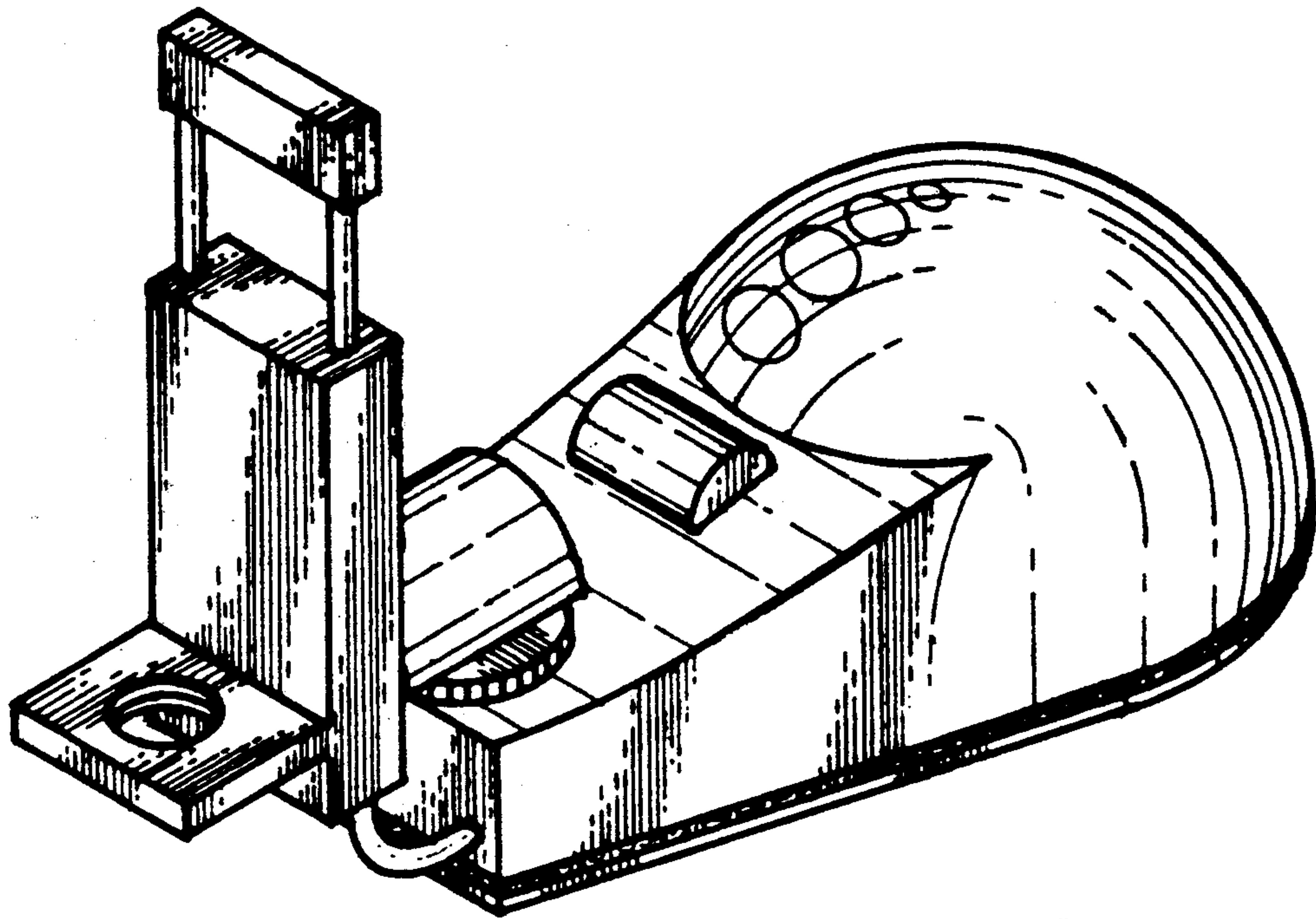


FIG. 1

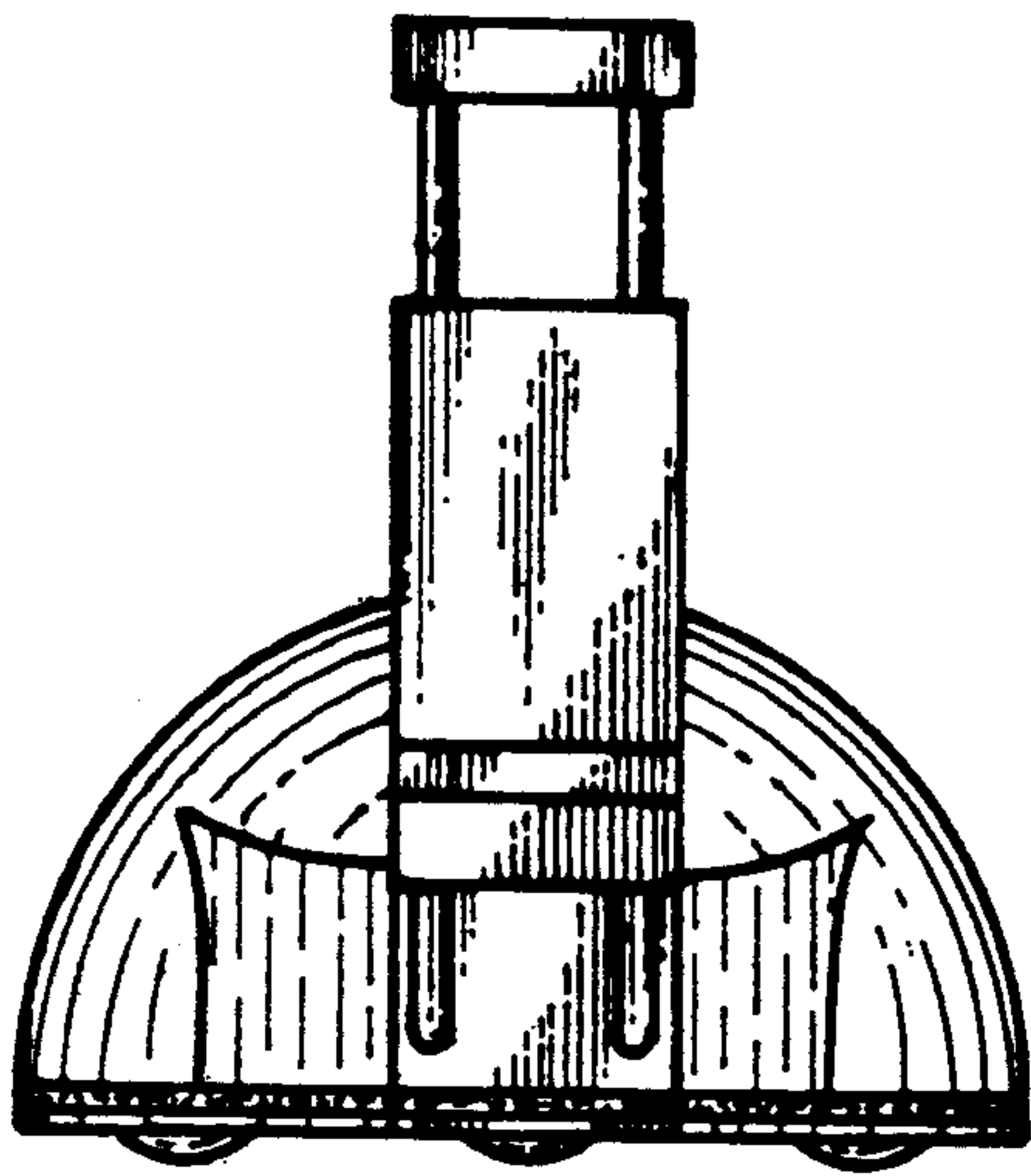


FIG. 2

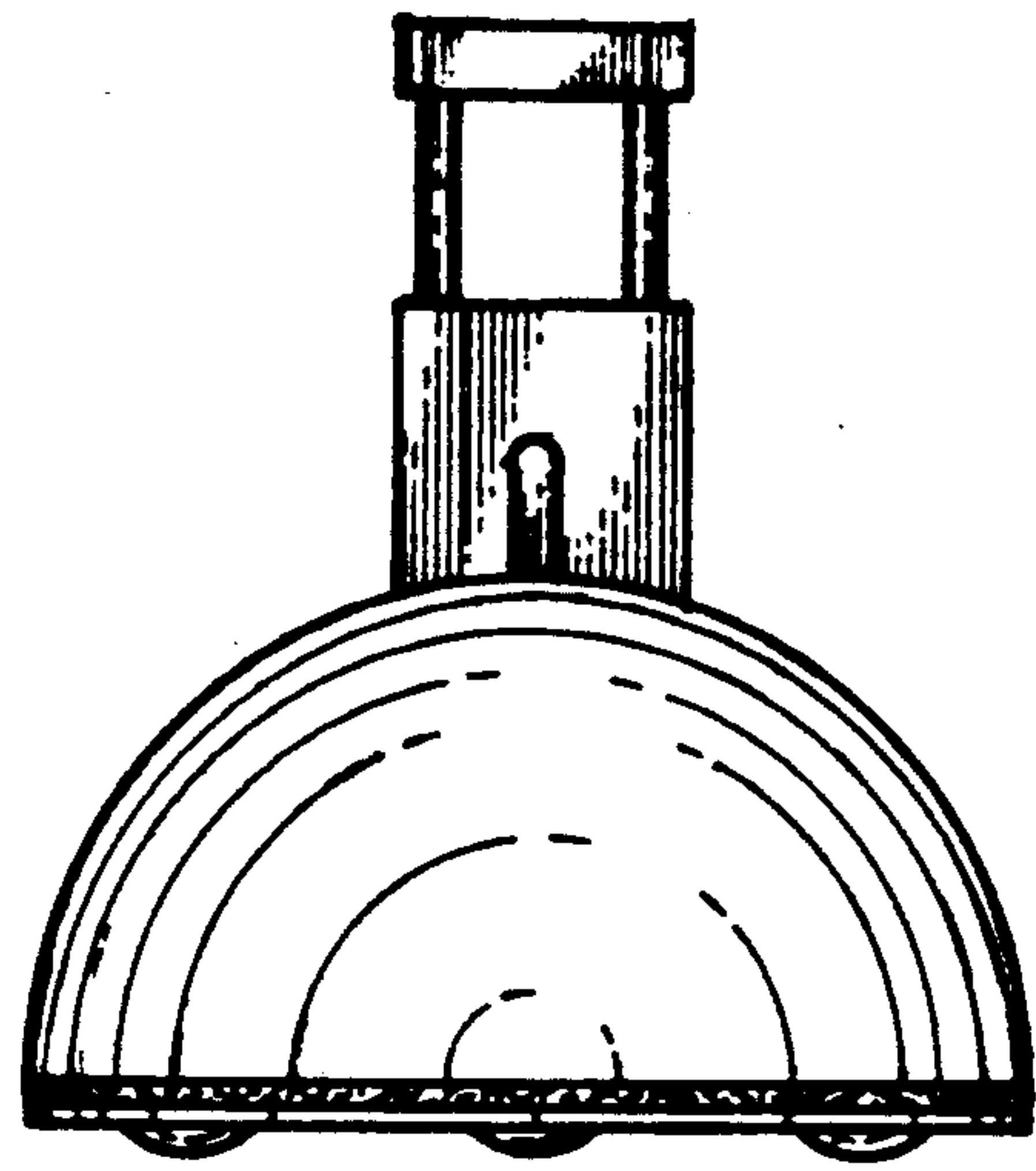


FIG. 3

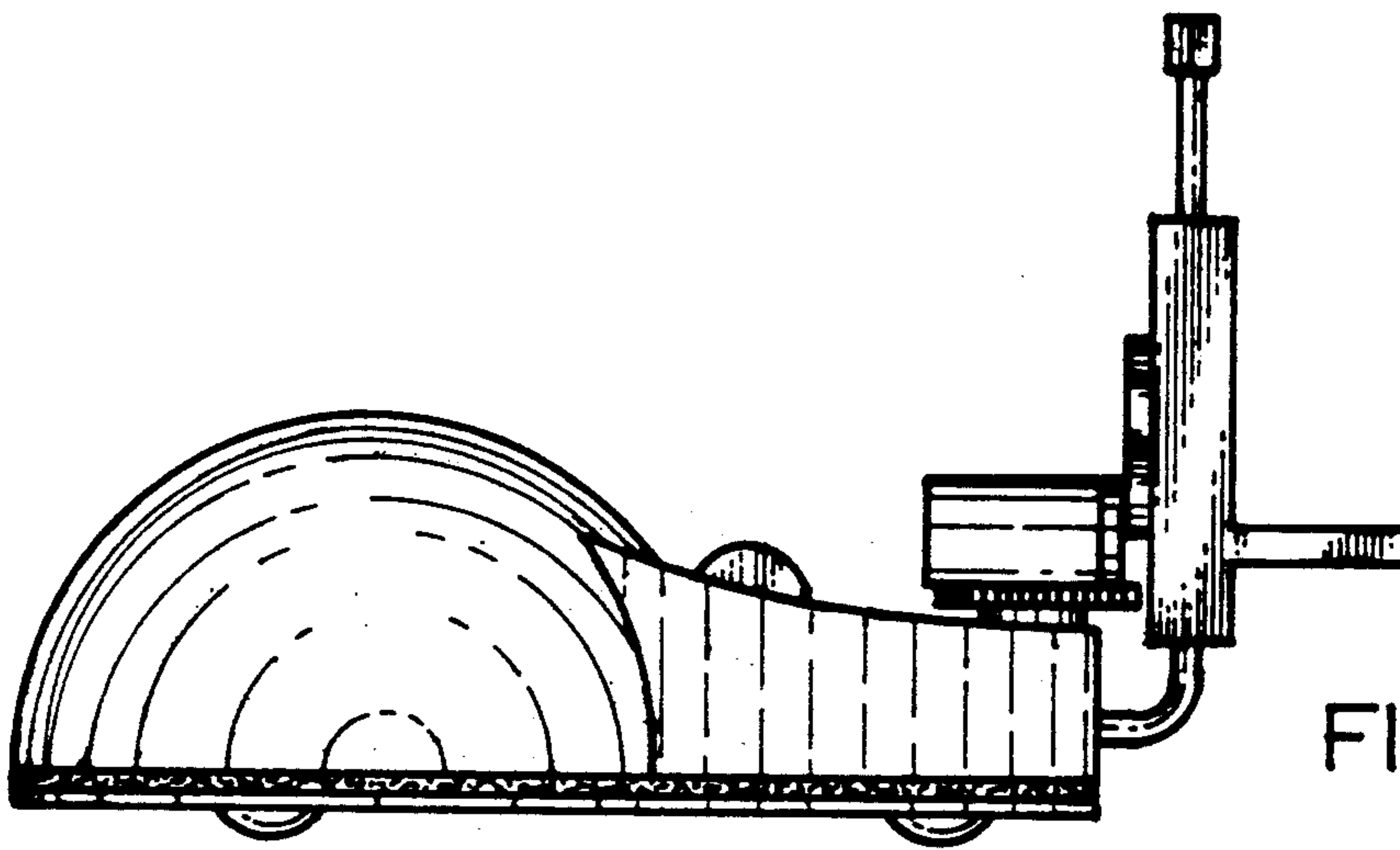


FIG. 4

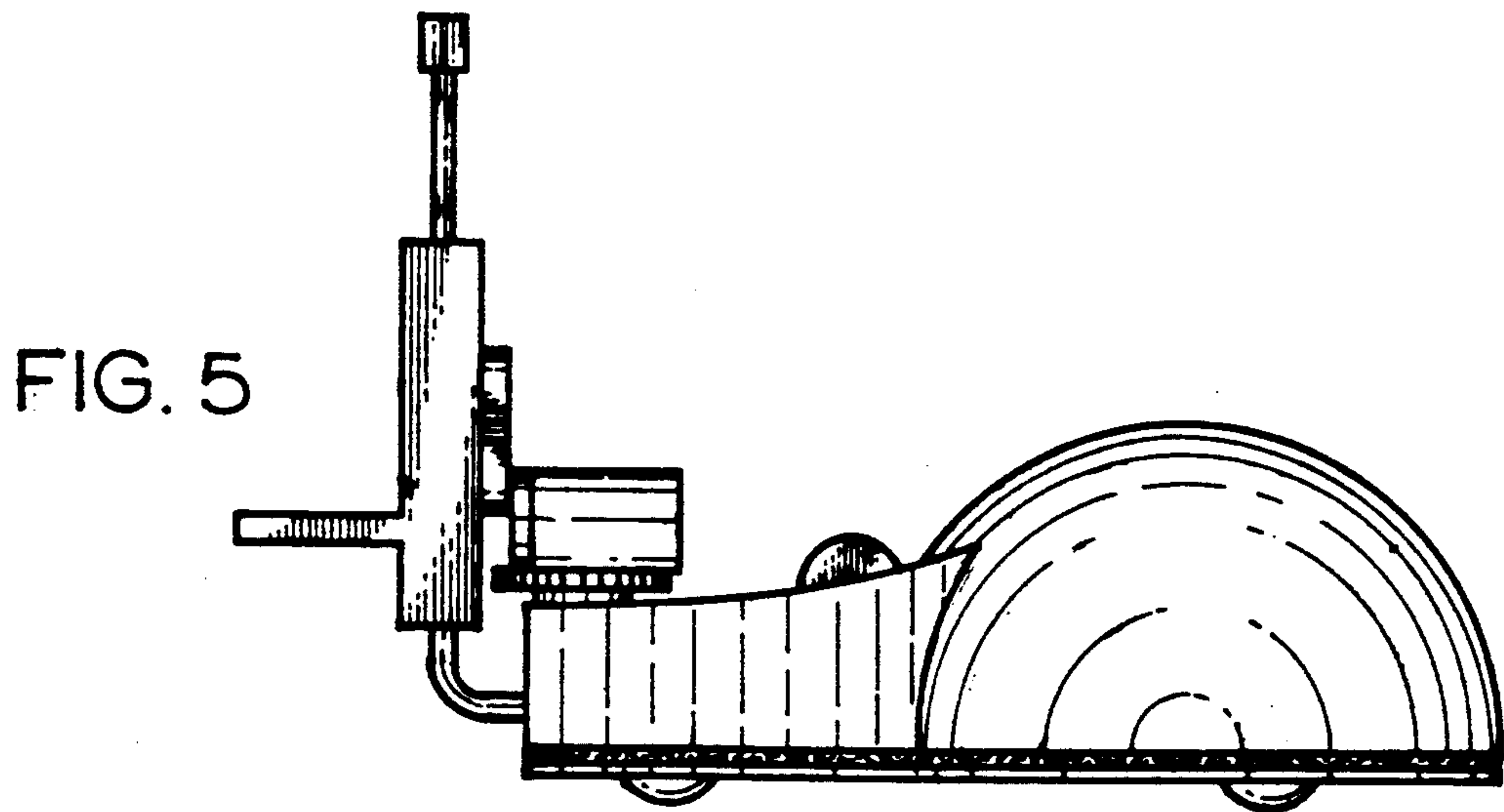


FIG. 5

FIG. 6

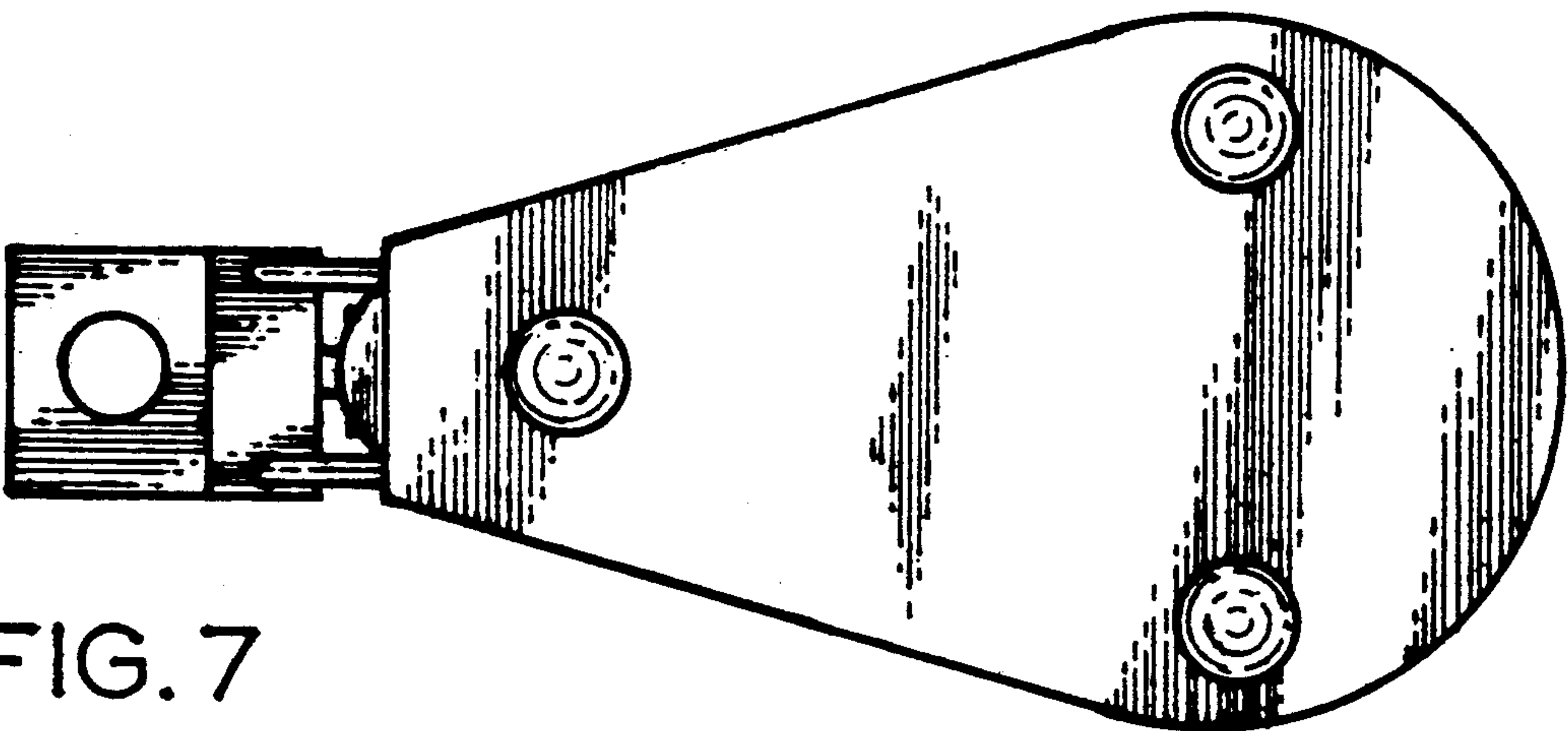
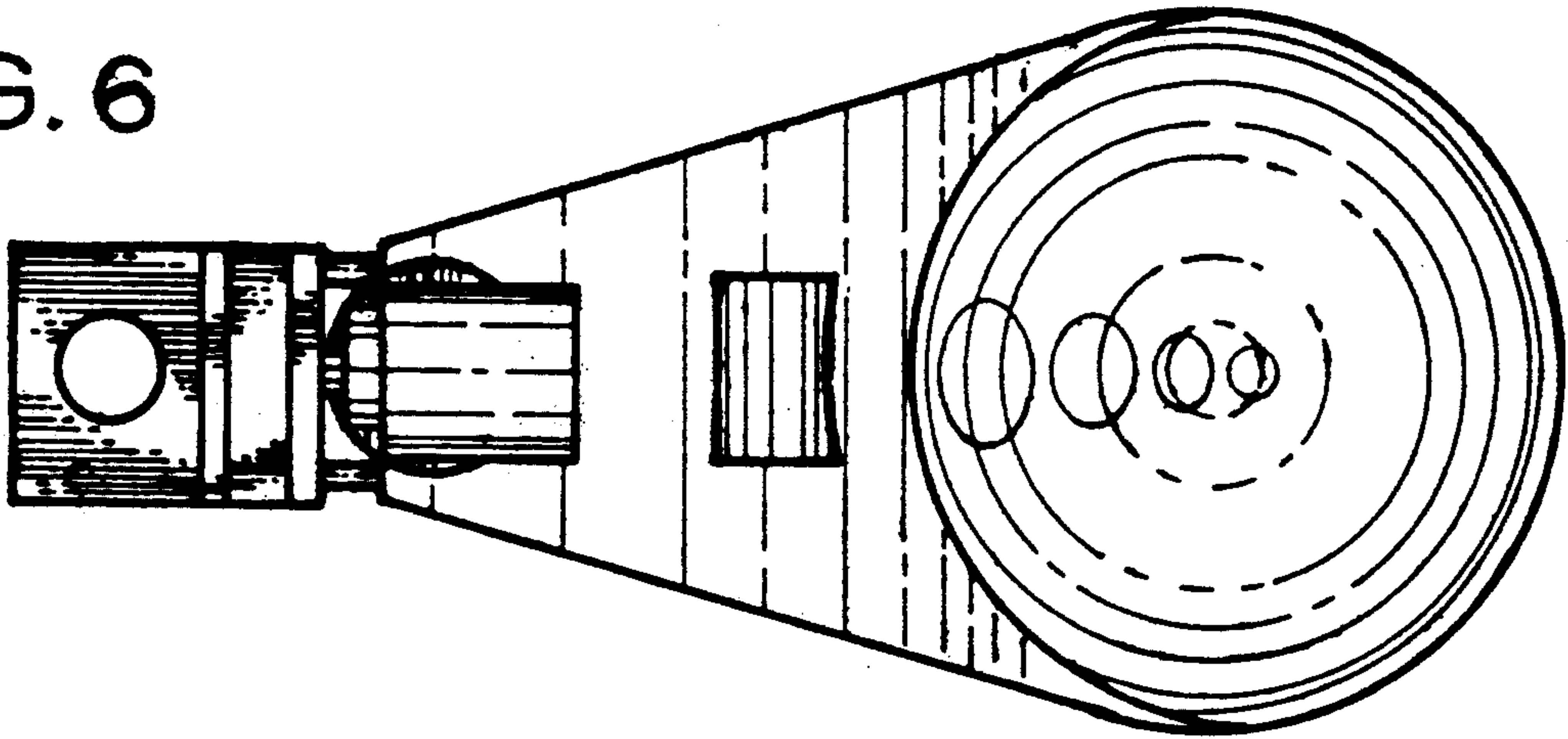


FIG. 7