



US00D343861S

# United States Patent [19]

[11] Patent Number: **Des. 343,861**

DeWitt

[45] Date of Patent: **\*\* Feb. 1, 1994**

- [54] **COMBINED CALENDAR AND PHOTOGRAPH HOLDER**
- [76] Inventor: **Linda DeWitt, P.O. Box 5191, Santa Cruz, Calif. 95063**
- [\*\*] Term: **14 Years**
- [21] Appl. No.: **771,935**
- [22] Filed: **Oct. 4, 1991**
- [52] U.S. Cl. .... **D19/21**
- [58] Field of Search ..... **40/107, 109, 117, 118, 40/120, 122, 124; 229/68; 283/4, 2, 81; D19/20, 21, 22, 23, 24, 25; D20/19, 20, 40**

- 2,990,638 7/1961 Mathe ..... 40/120
- 4,451,067 5/1984 Williams ..... 283/2
- 5,062,229 11/1991 Werjefelt ..... 40/120

*Primary Examiner*—Wallace R. Burke  
*Assistant Examiner*—Marcus Jackson  
*Attorney, Agent, or Firm*—Flehr, Hobach, Test, Albritton & Herbert

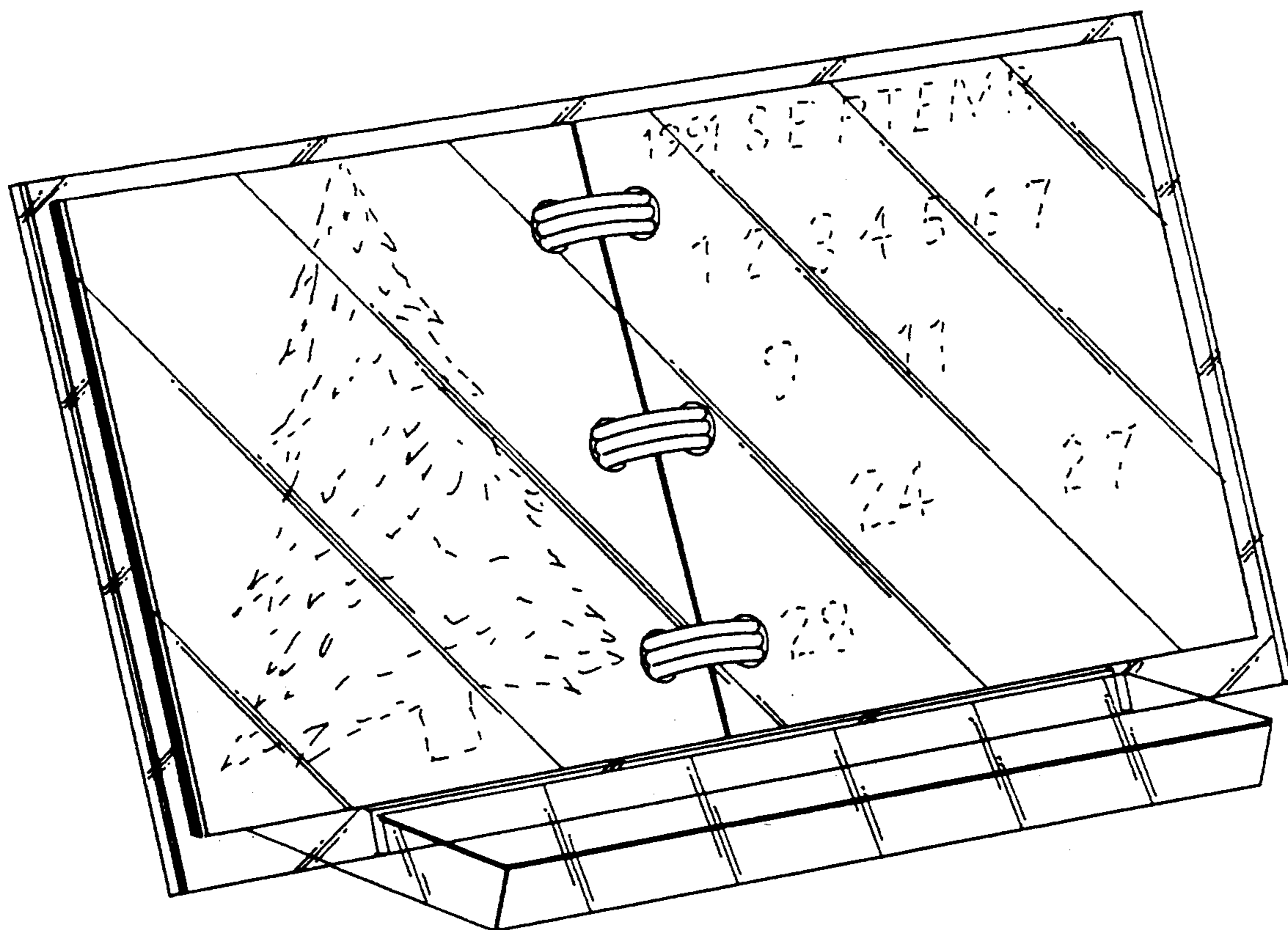
### [57] CLAIM

The ornamental design for a combined calendar and photograph holder, as shown and described.

### DESCRIPTION

FIG. 1 is a perspective view of the combined calendar and photograph holder, showing my new design; FIG. 2 is a front elevational view thereof; FIG. 3 is a right side elevational view thereof; FIG. 4 is a rear elevational view thereof; FIG. 5 is a left side elevational view thereof; FIG. 6 is a top plan view thereof; and, FIG. 7 is a bottom plan view thereof.

- [56] **References Cited**
- U.S. PATENT DOCUMENTS**
- 304,806 9/1884 Downs ..... 40/120
- 1,490,780 4/1924 MacNicol ..... 40/120
- 1,718,315 6/1929 Slosser ..... 229/68
- 2,546,419 3/1951 Ashley ..... 40/120
- 2,731,746 1/1956 Newman ..... 283/2



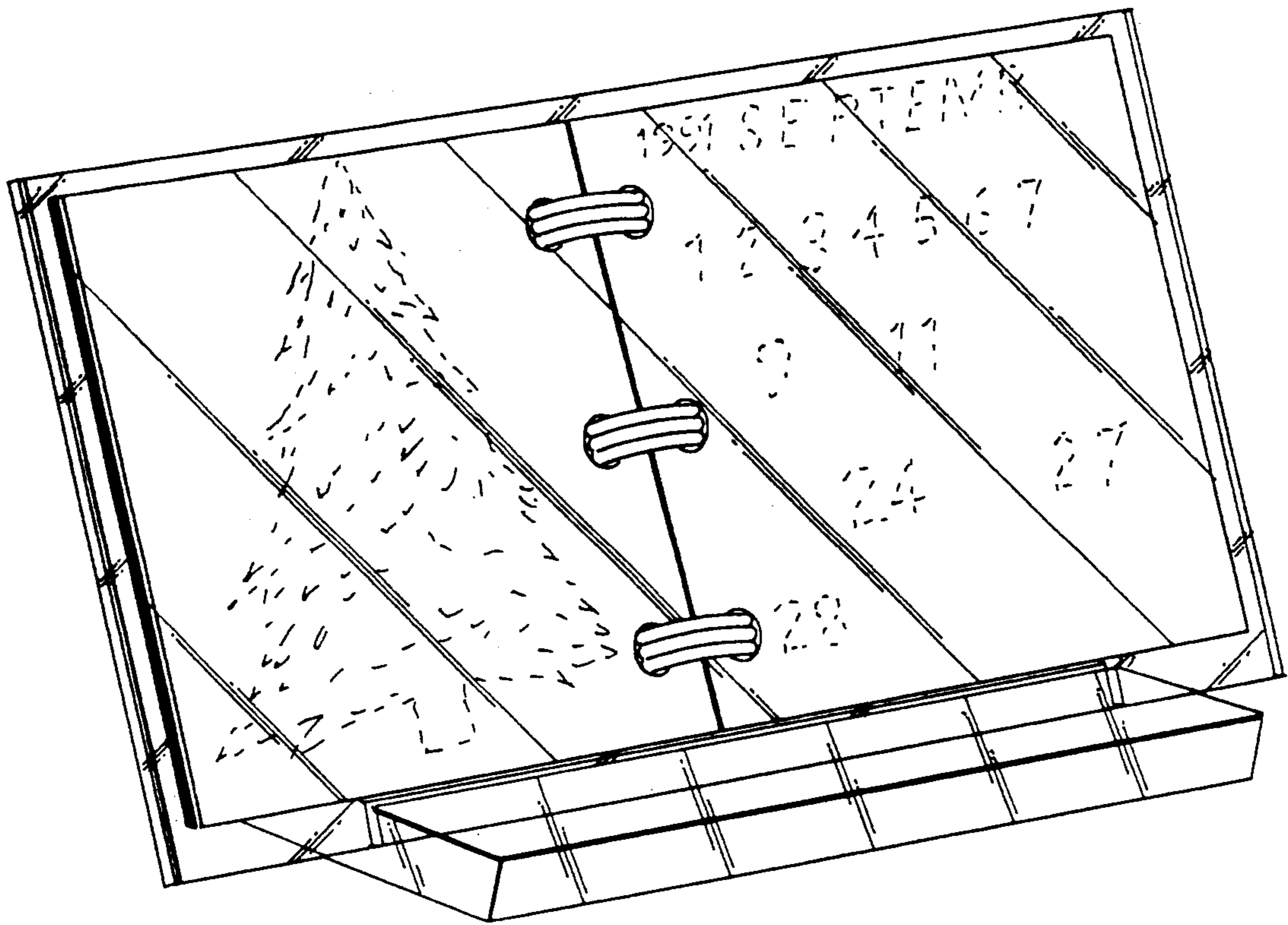


FIG. -1

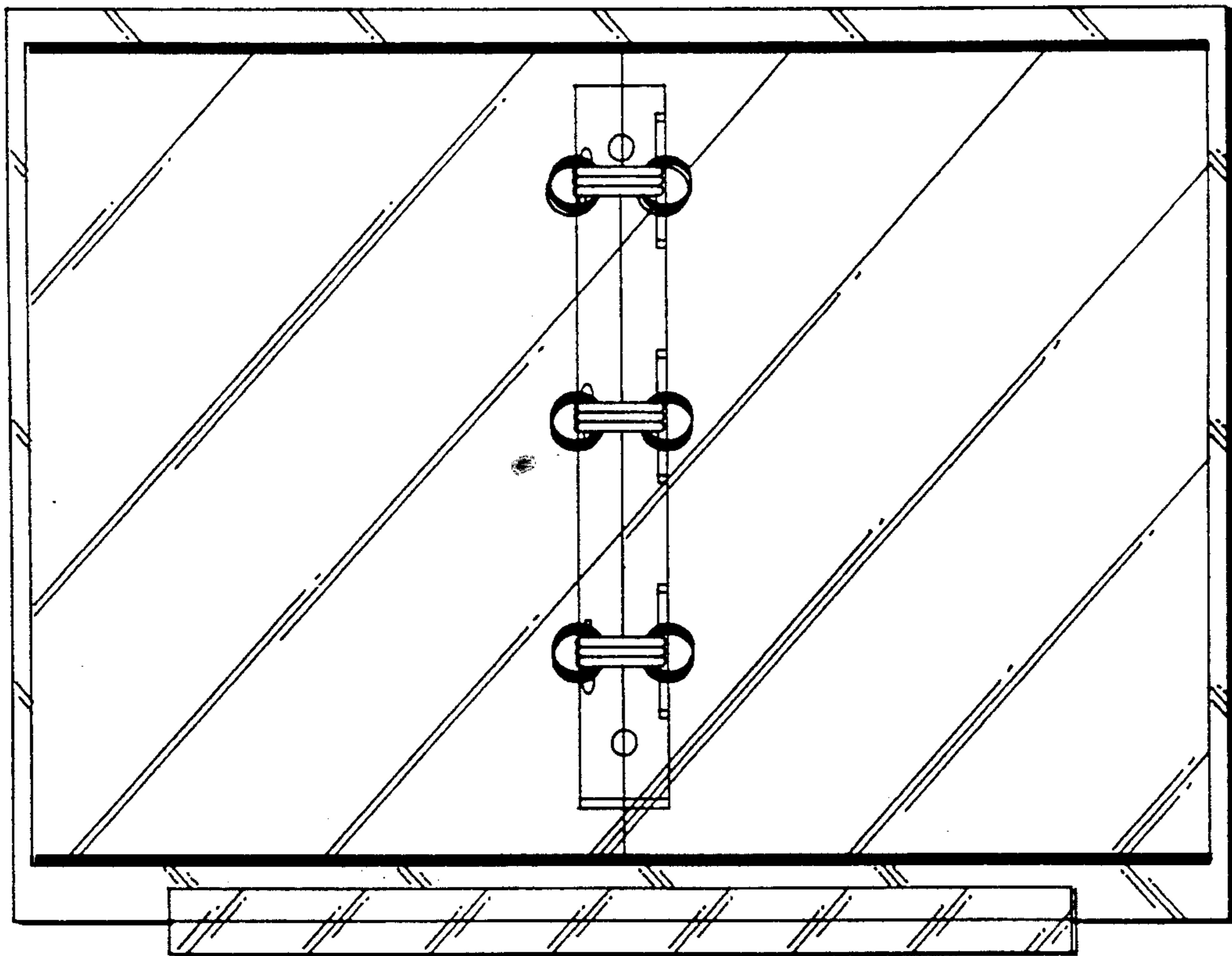


FIG. -2

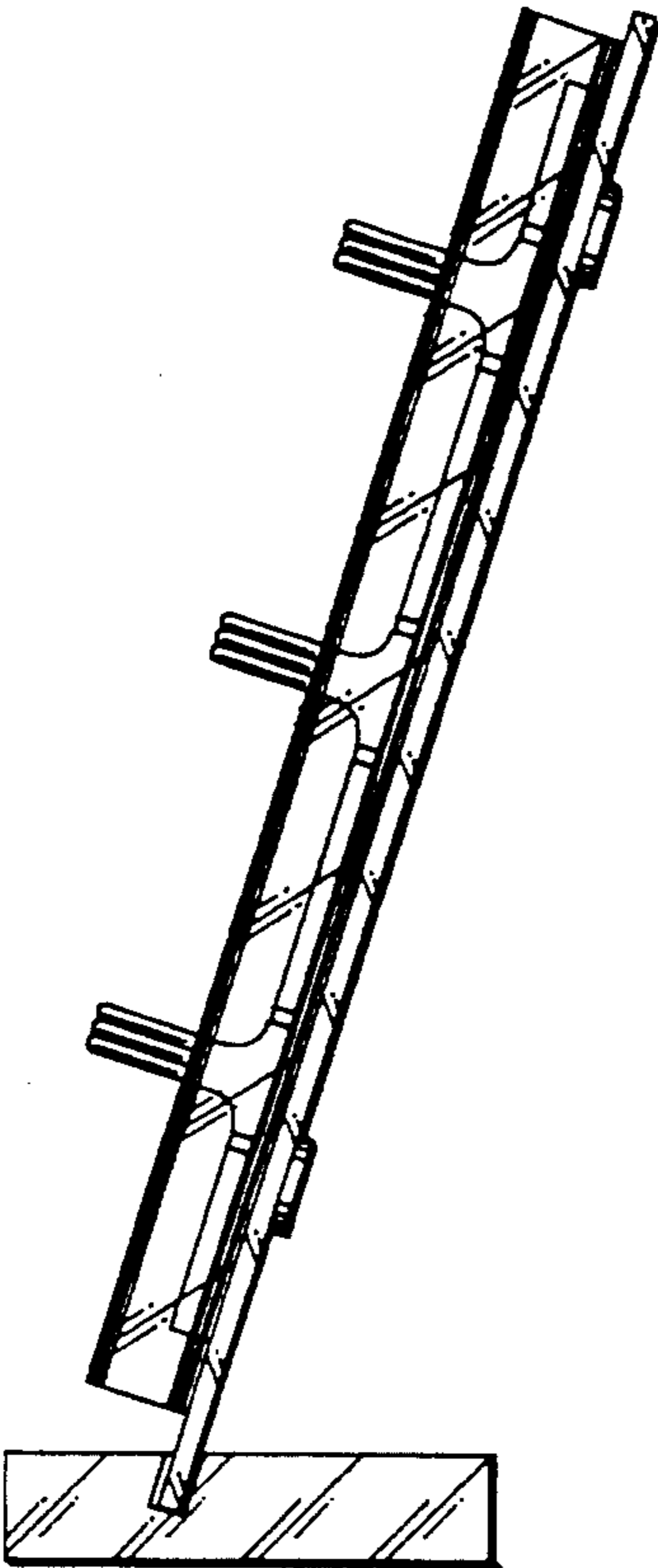


FIG. - 3

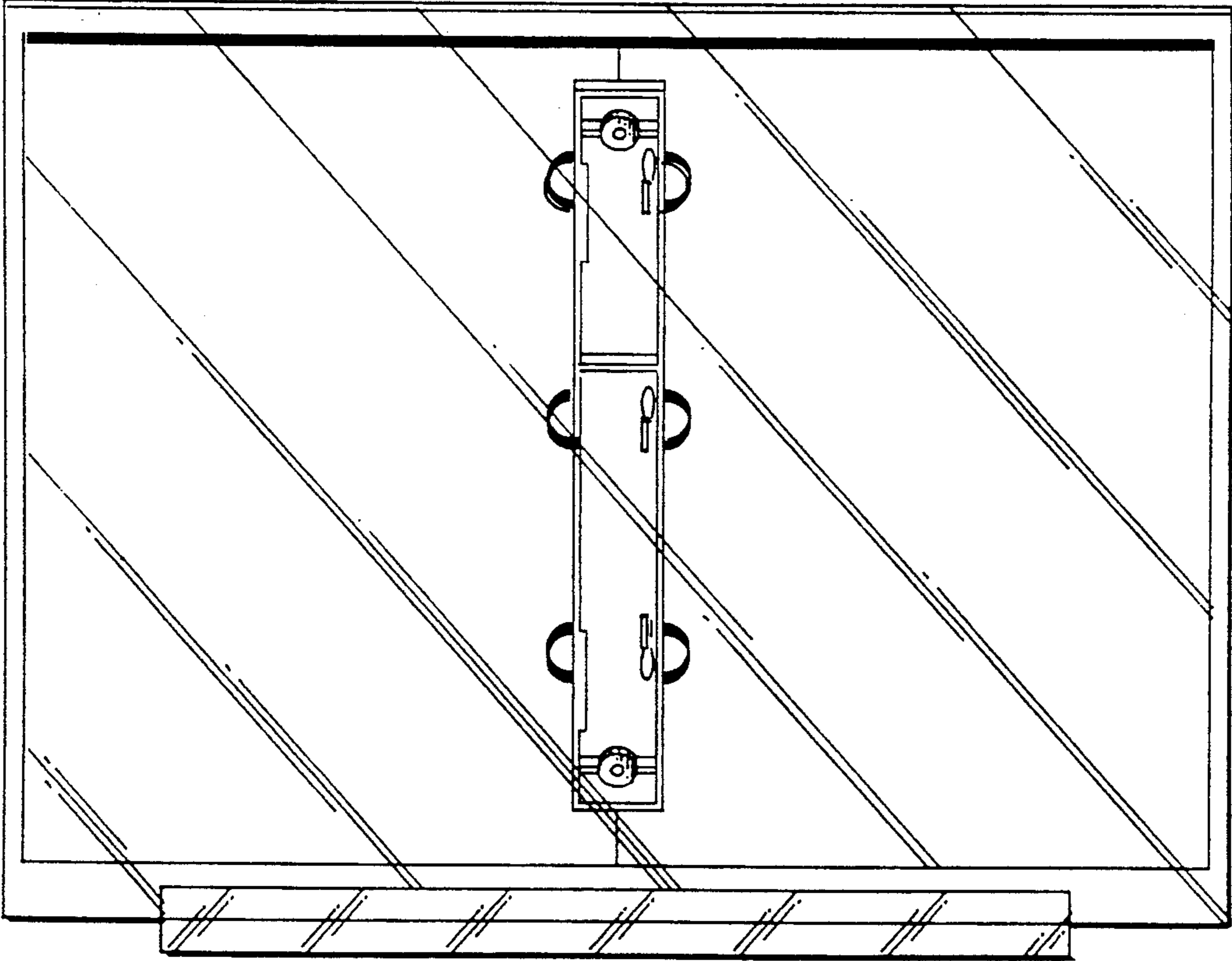


FIG. - 4

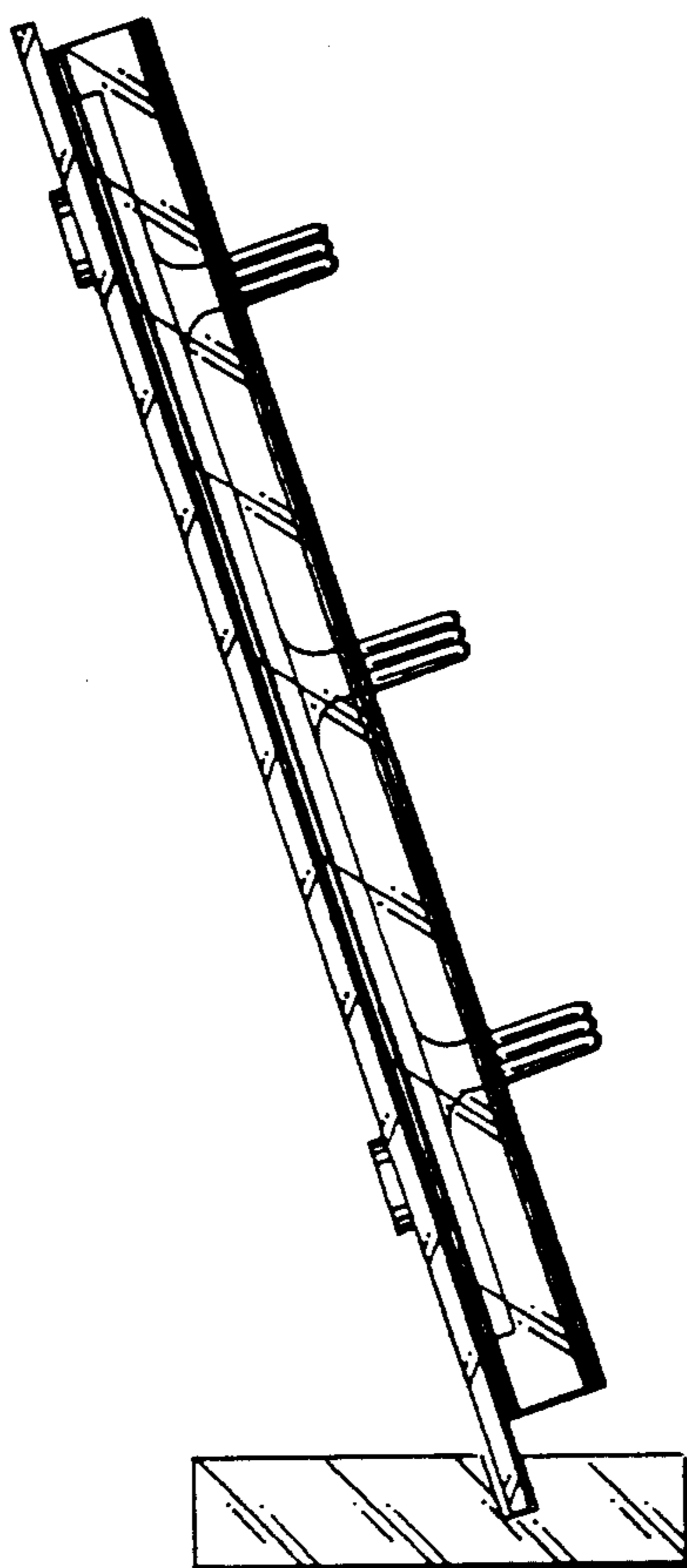


FIG. -5

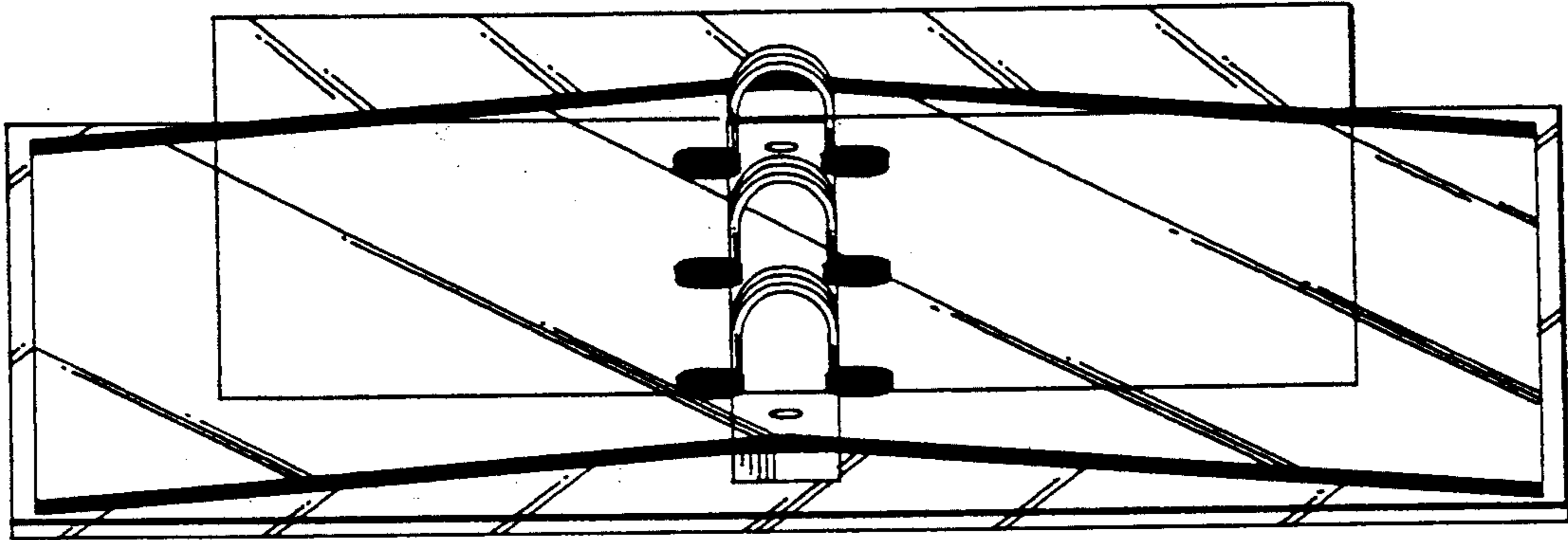


FIG. -6

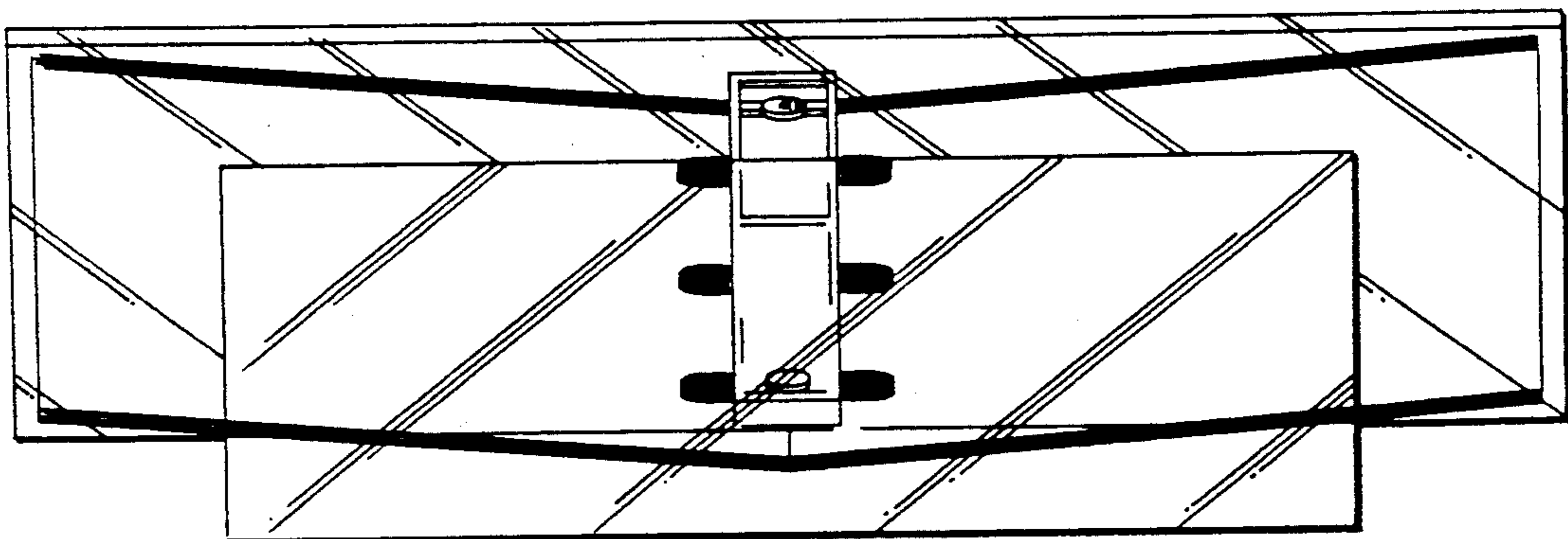


FIG. -7