



US00D343860S

United States Patent [19]

[11] Patent Number: Des. 343,860

DeWitt

[45] Date of Patent: ** Feb. 1, 1994

[54] **COMBINED CALENDAR AND PHOTOGRAPH HOLDER**

4,451,067 5/1984 Williams 283/2
5,062,229 11/1991 Werjefelt 40/120

[76] Inventor: **Linda DeWitt**, P.O. Box 5191, Santa Cruz, Calif. 95063

Primary Examiner—Wallace R. Burke
Assistant Examiner—Marcus Jackson
Attorney, Agent, or Firm—Flehr, Hohbach, Test, Albritton & Herbert

[**] Term: **14 Years**

[21] Appl. No.: **771,932**

[57] **CLAIM**

[22] Filed: **Oct. 4, 1991**

The ornamental design for a combined calendar and photograph holder, as shown and described.

[52] U.S. Cl. **D19/21**

[58] Field of Search 40/107, 109, 117, 118, 40/120, 122, 124; 229/68; 283/2, 4, 81; D19/20, 21, 22, 23, 24, 25; D20/19, 20, 40

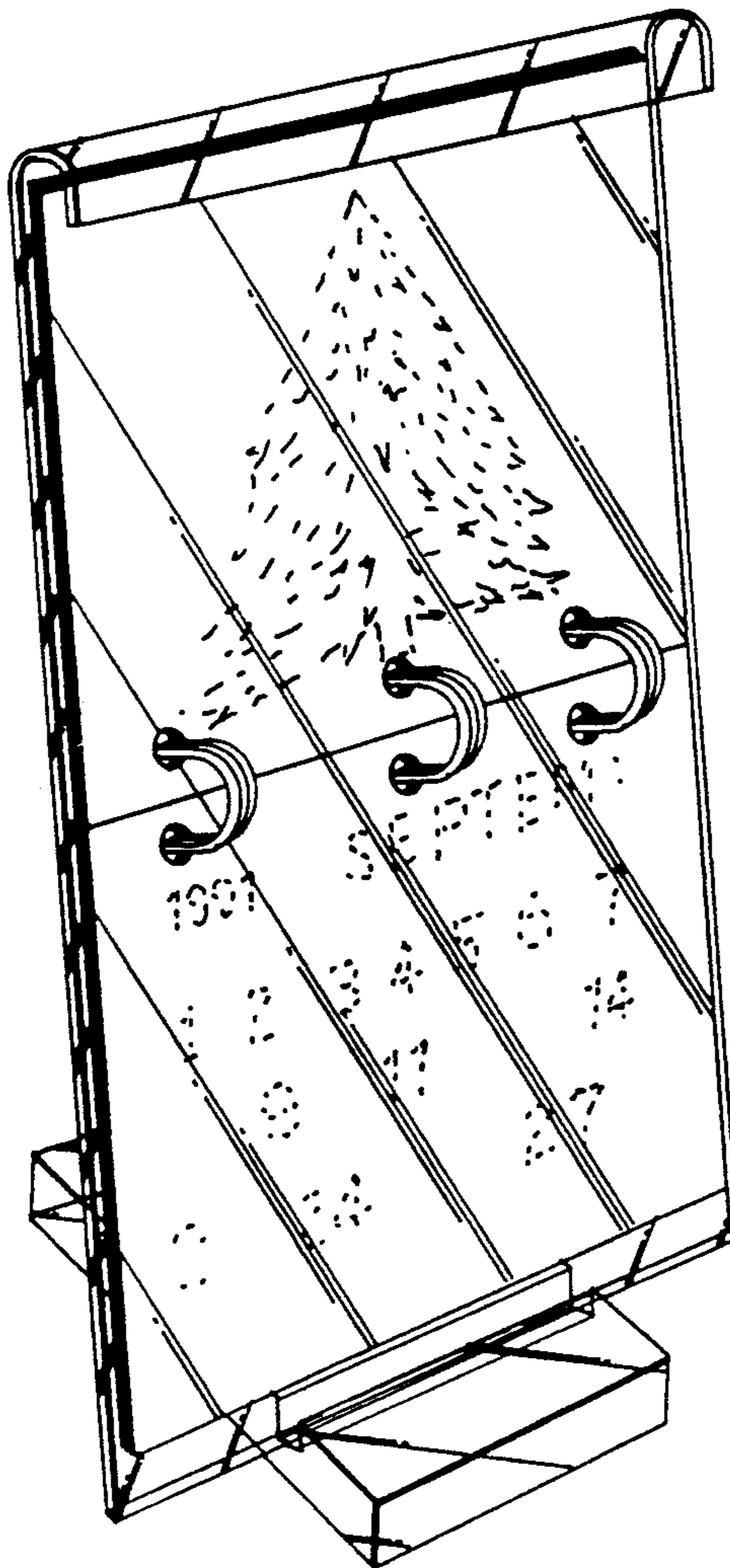
DESCRIPTION

[56] **References Cited**

U.S. PATENT DOCUMENTS

304,806	9/1884	Downs	40/120
1,490,780	4/1924	MacNicol	40/120
1,718,315	6/1929	Slosser	229/68
2,546,419	3/1951	Ashley	40/120
2,731,746	1/1956	Newman	283/2
2,990,638	7/1961	Mathe	40/120

FIG. 1 is a perspective view of the combined calendar and photograph holder showing my new design, with the broken line showing for illustrative purposes only and forming no part of the claimed design; FIG. 2 is a front elevational view thereof; FIG. 3 is a right side elevational view, the left side elevational view being a mirror image thereof; FIG. 4 is a rear elevational view thereof; FIG. 5 is a top plan view thereof; and, FIG. 6 is a bottom plan view thereof.



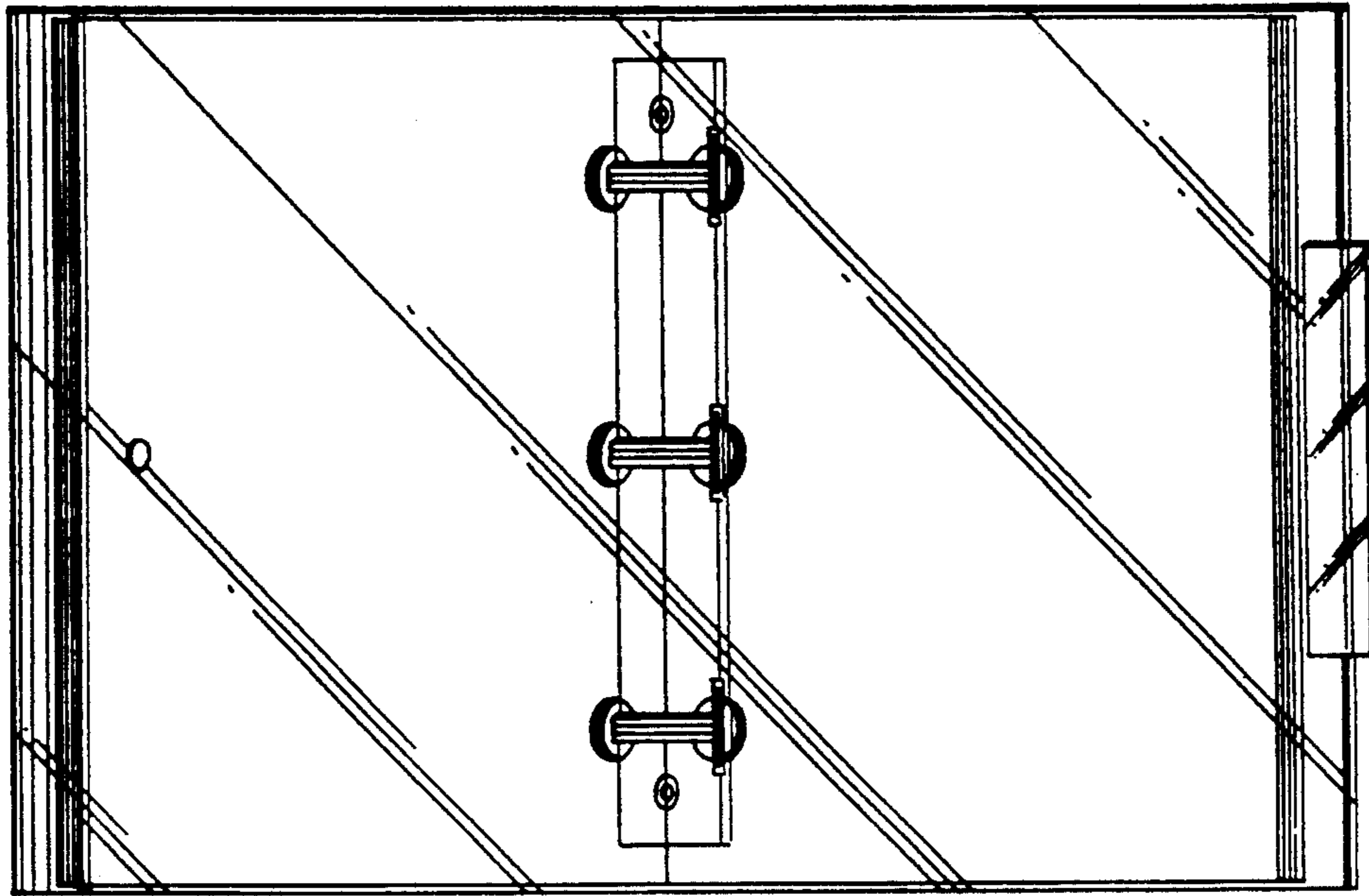


FIG. -2

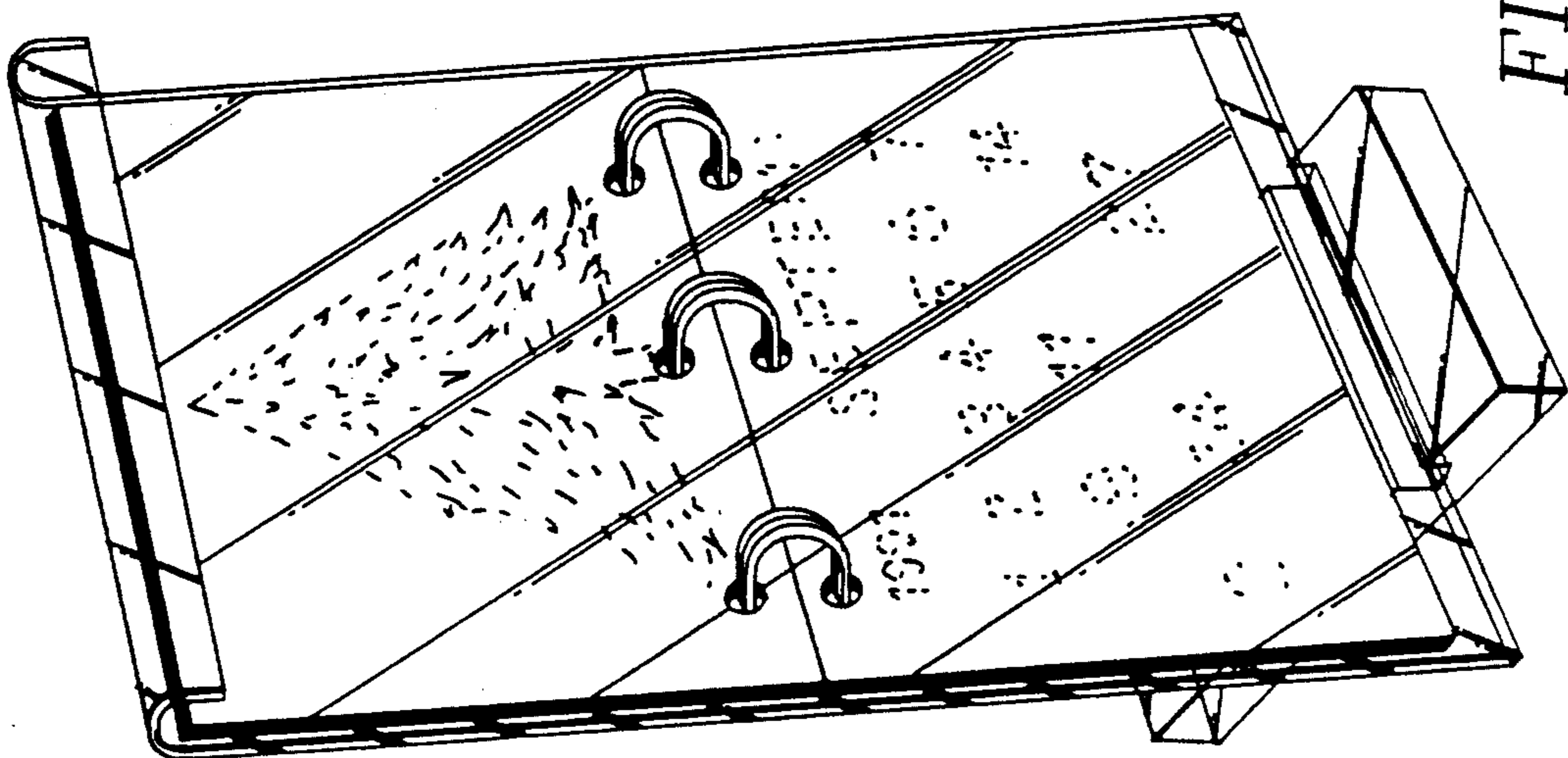


FIG. -1

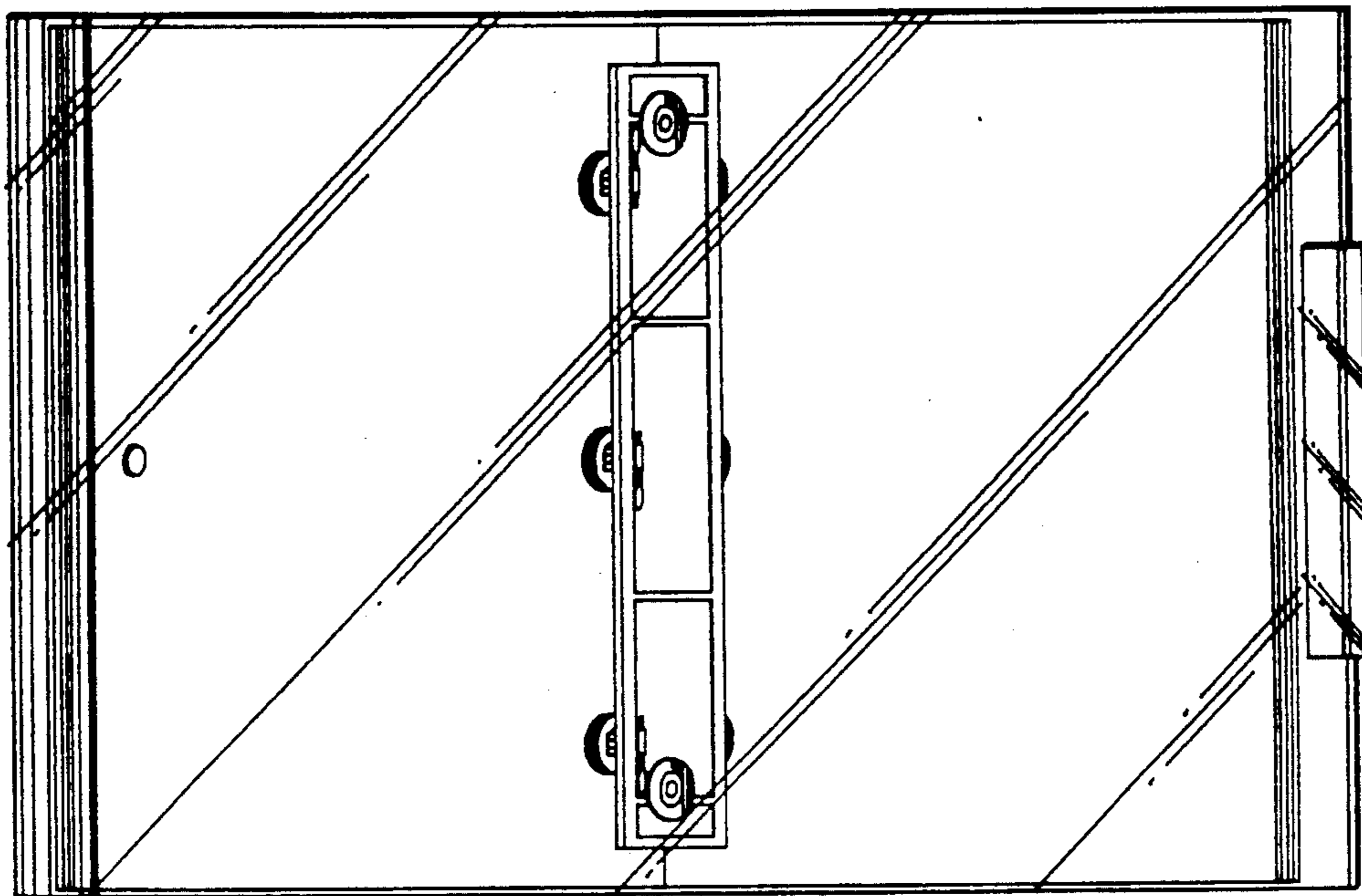


FIG. -4

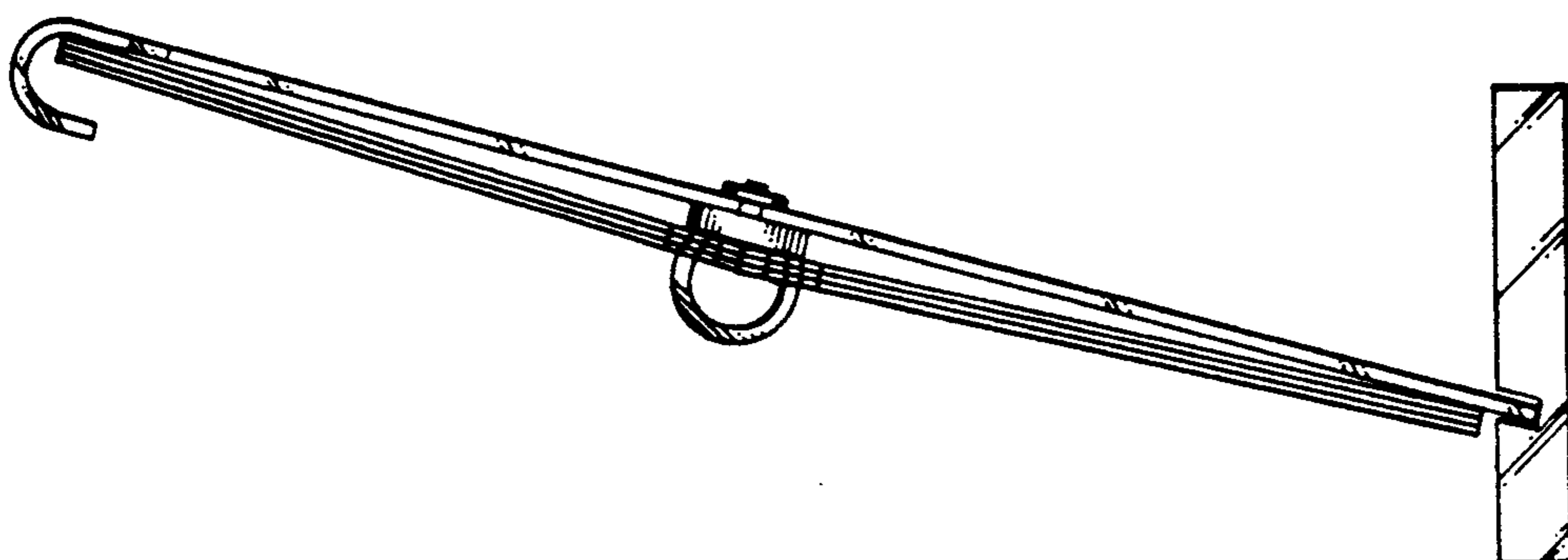


FIG. -3

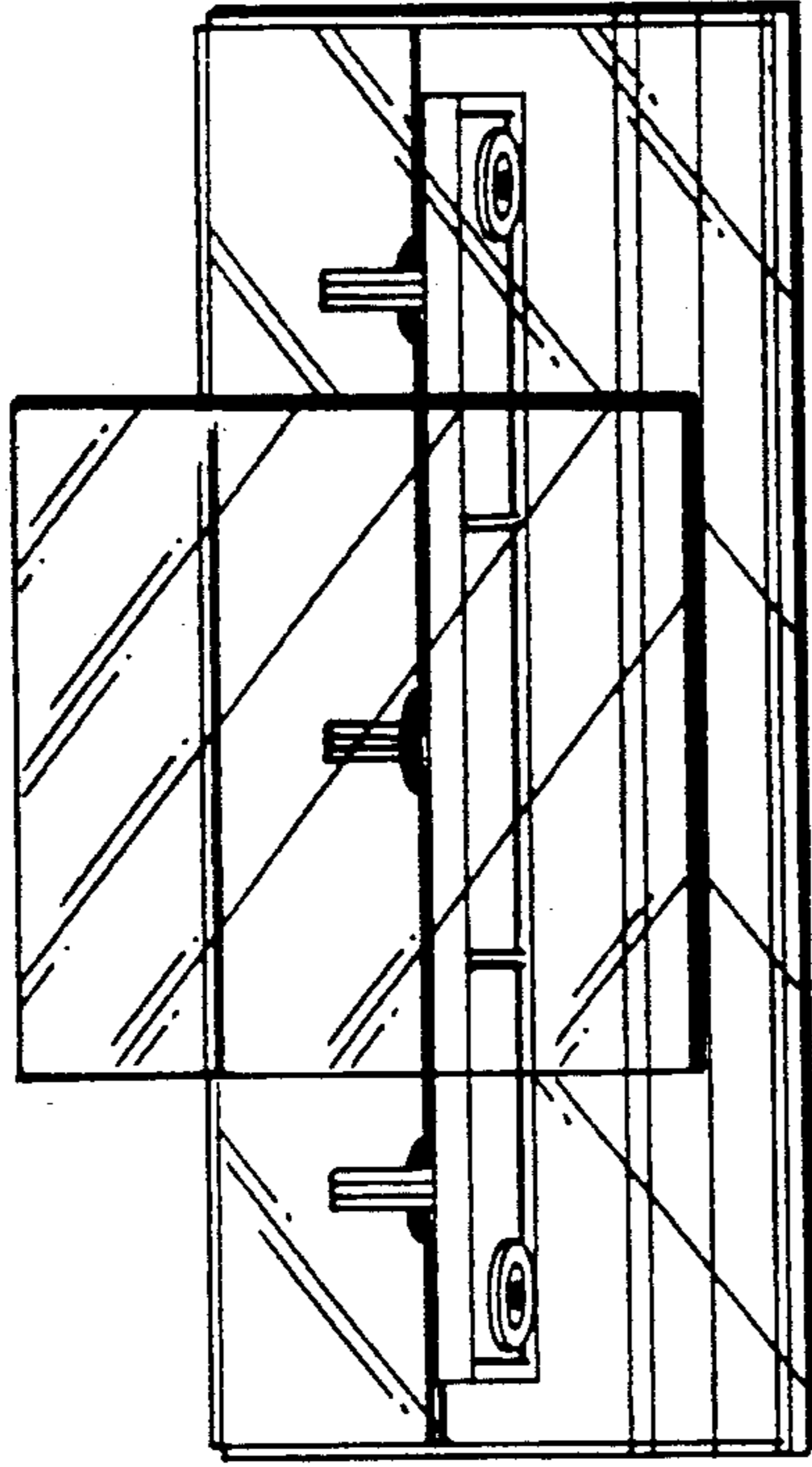


FIG. --6

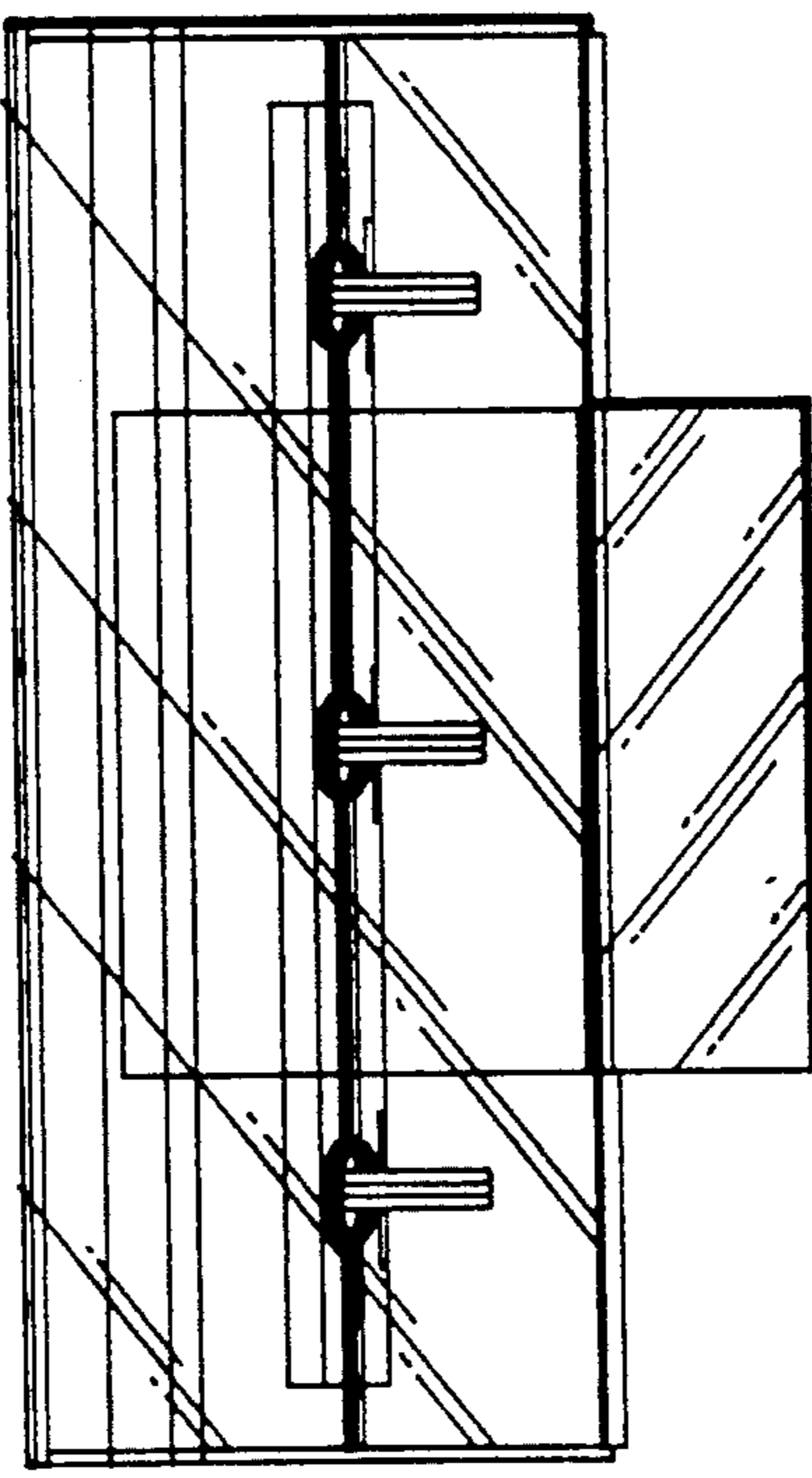


FIG. --5