



US00D343857S

United States Patent [19] Clary

[11] Patent Number: **Des. 343,857**
[45] Date of Patent: **** Feb. 1, 1994**

[54] DATA PRINTER

[76] Inventor: **John G. Clary**, 2850 Thorndike Rd.,
Pasadena, Calif. 91107

[**] Term: **14 Years**

[21] Appl. No.: **939,645**

[22] Filed: **Sep. 8, 1992**

[52] U.S. Cl. **D18/50; D18/34**

[58] Field of Search **400/690-694,**
400/613, 613.1-613.4, 690.1-690.4; D14/100,
106; D18/6, 11, 19, 34, 46, 49, 50, 52-55

[56] References Cited

U.S. PATENT DOCUMENTS

D. 249,347	9/1978	Ziehut	D18/54
D. 250,144	10/1978	Coppola	D18/54
D. 273,953	5/1984	Lahey	D18/55
D. 281,247	11/1985	Lahey et al.	D18/55
D. 288,448	2/1987	Hiroki	D18/54
D. 293,113	12/1987	Foy	D18/54
D. 322,277	12/1991	Clary et al.	D18/50
D. 334,565	4/1993	Rauch et al.	D18/50
4,581,616	4/1986	Ross et al.	D18/50

FOREIGN PATENT DOCUMENTS

8800088 10/1988 Fed. Rep. of Germany ... D18/694,
400 50

OTHER PUBLICATIONS

NCR7731 Personal Image Processor brochure; @1990;
cover photo.
Addmaster Ink Jet Validation Printer brochure.

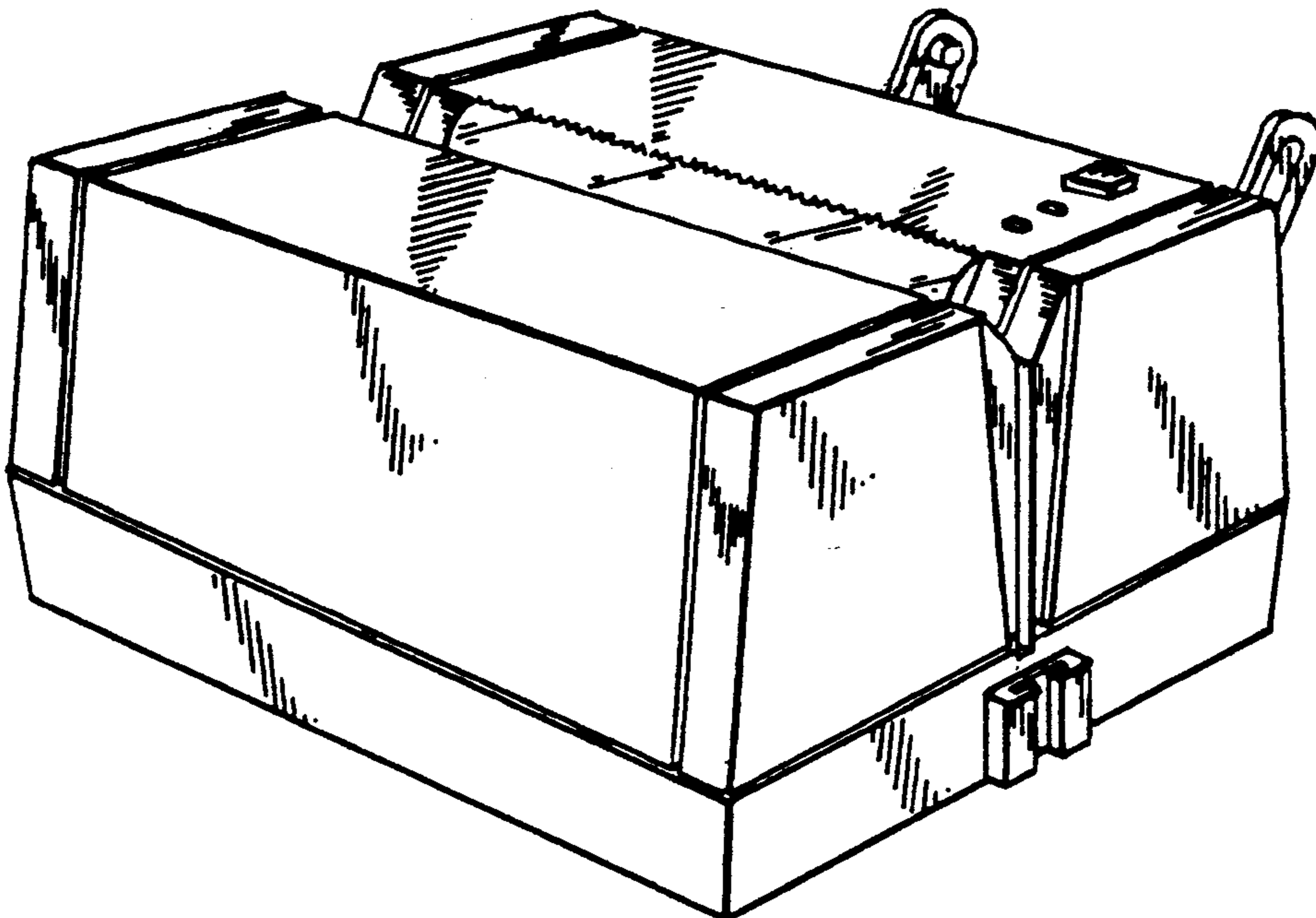
Primary Examiner—A. Hugo Word
Assistant Examiner—CathyAnne MacCormac
Attorney, Agent, or Firm—Fred N. Schwend

[57] CLAIM

The ornamental design for a data printer, as shown and described.

DESCRIPTION

FIG. 1 is a top, front and right side perspective view of a data printer showing my new design;
FIG. 2 is a top plan view thereof;
FIG. 3 is a bottom plan view thereof;
FIG. 4 is a right side elevation view thereof;
FIG. 5 is a left side elevation view thereof;
FIG. 6 is a front elevation view thereof; and,
FIG. 7 is a rear elevation view thereof.



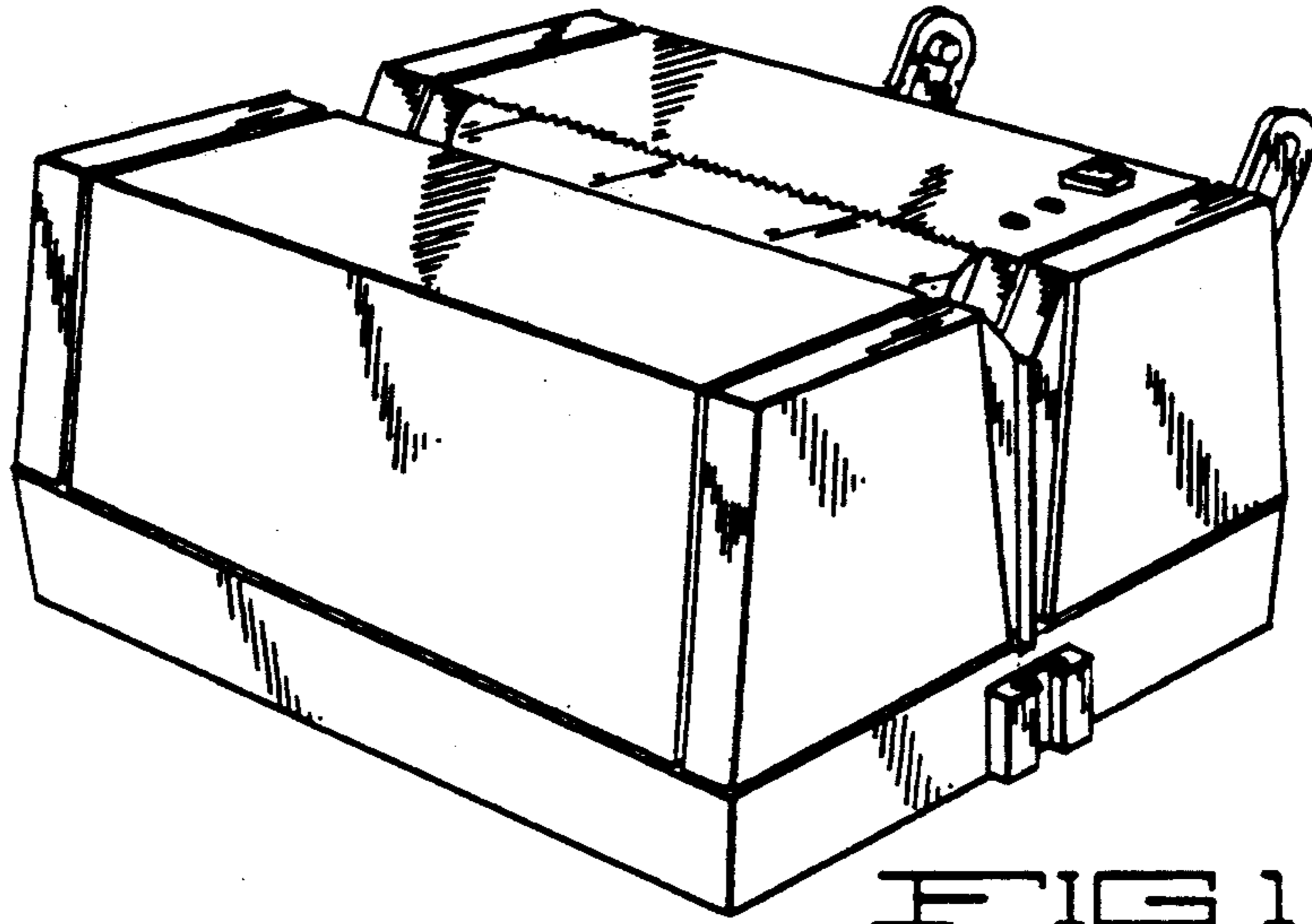


FIG. 1

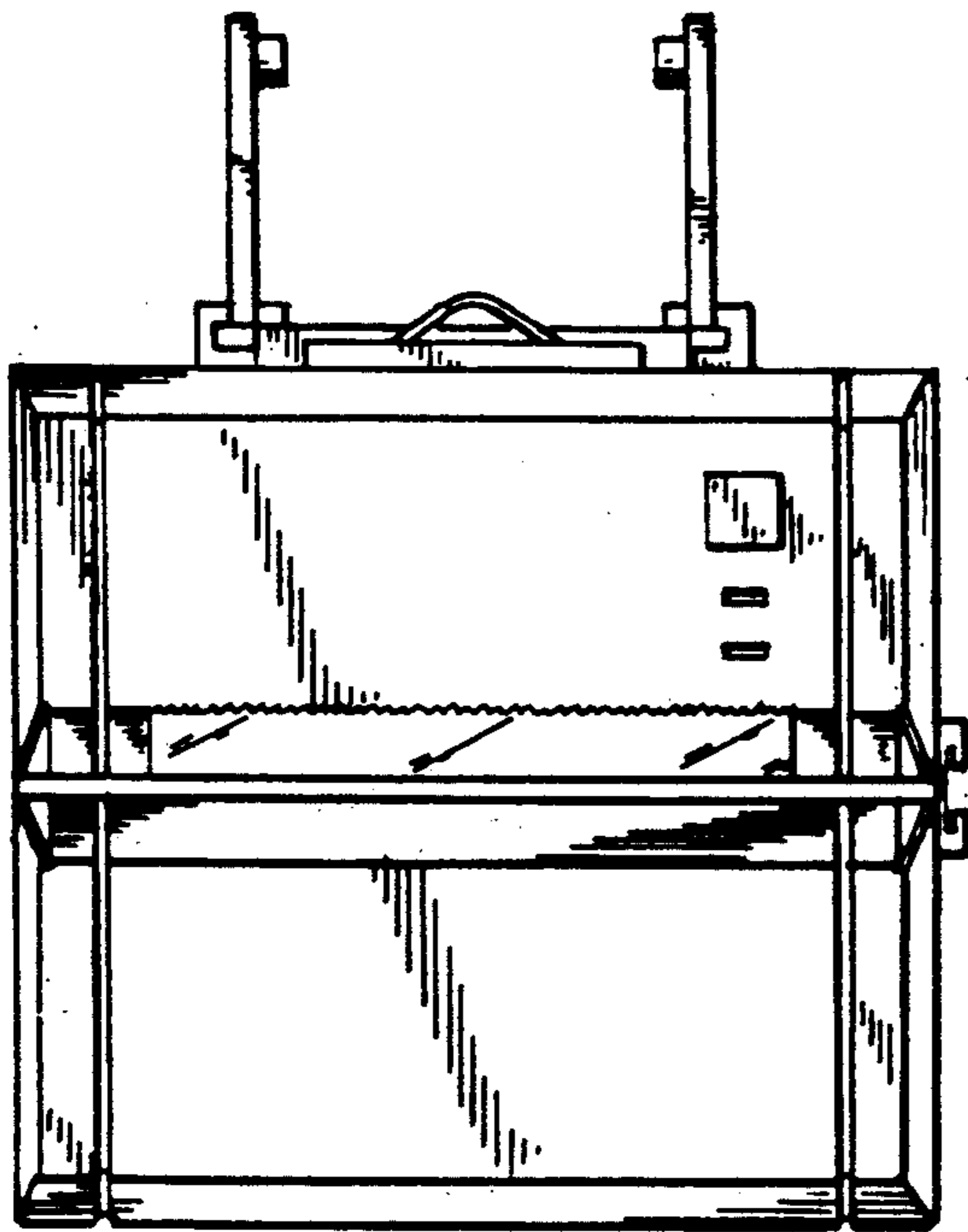


FIG. 2

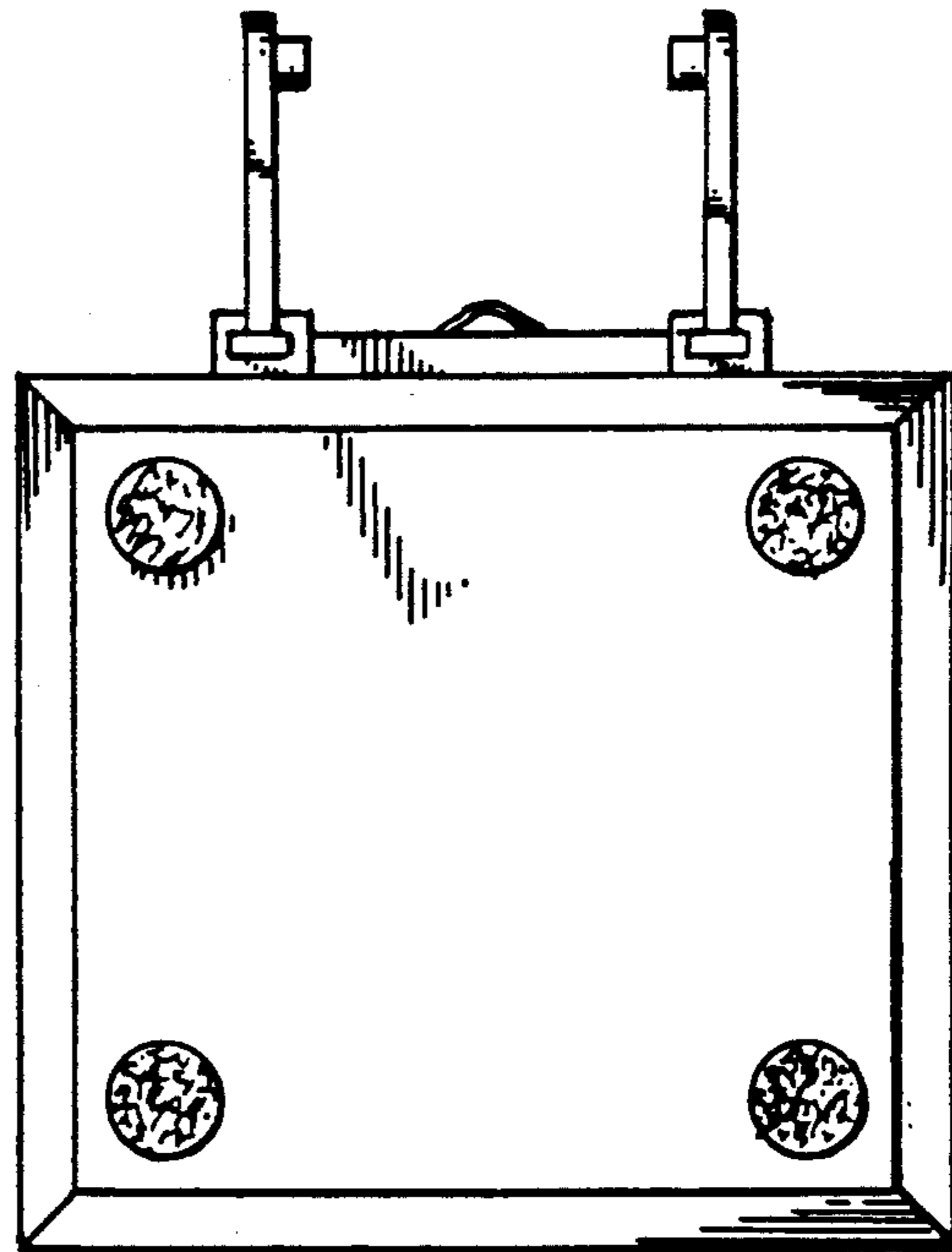


FIG. 3

FIG. 4

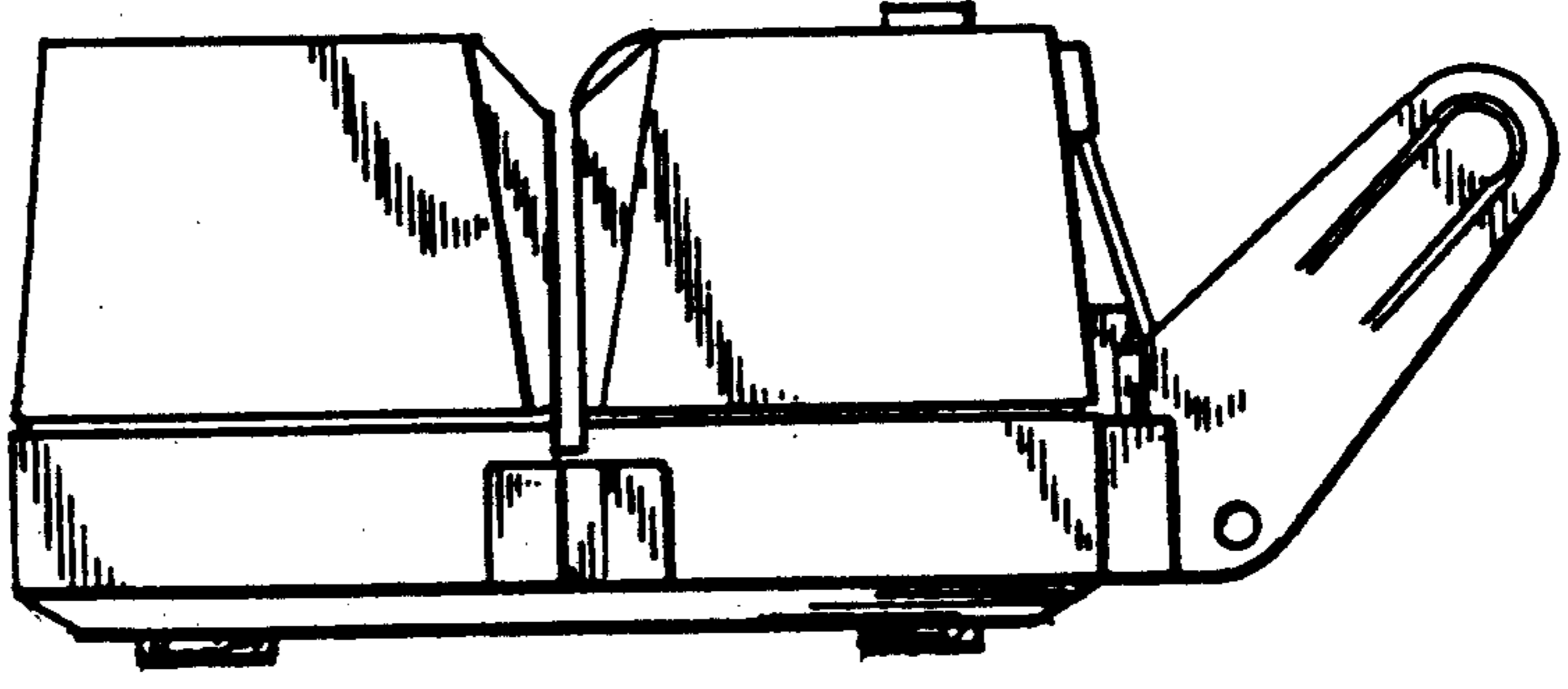


FIG. 5

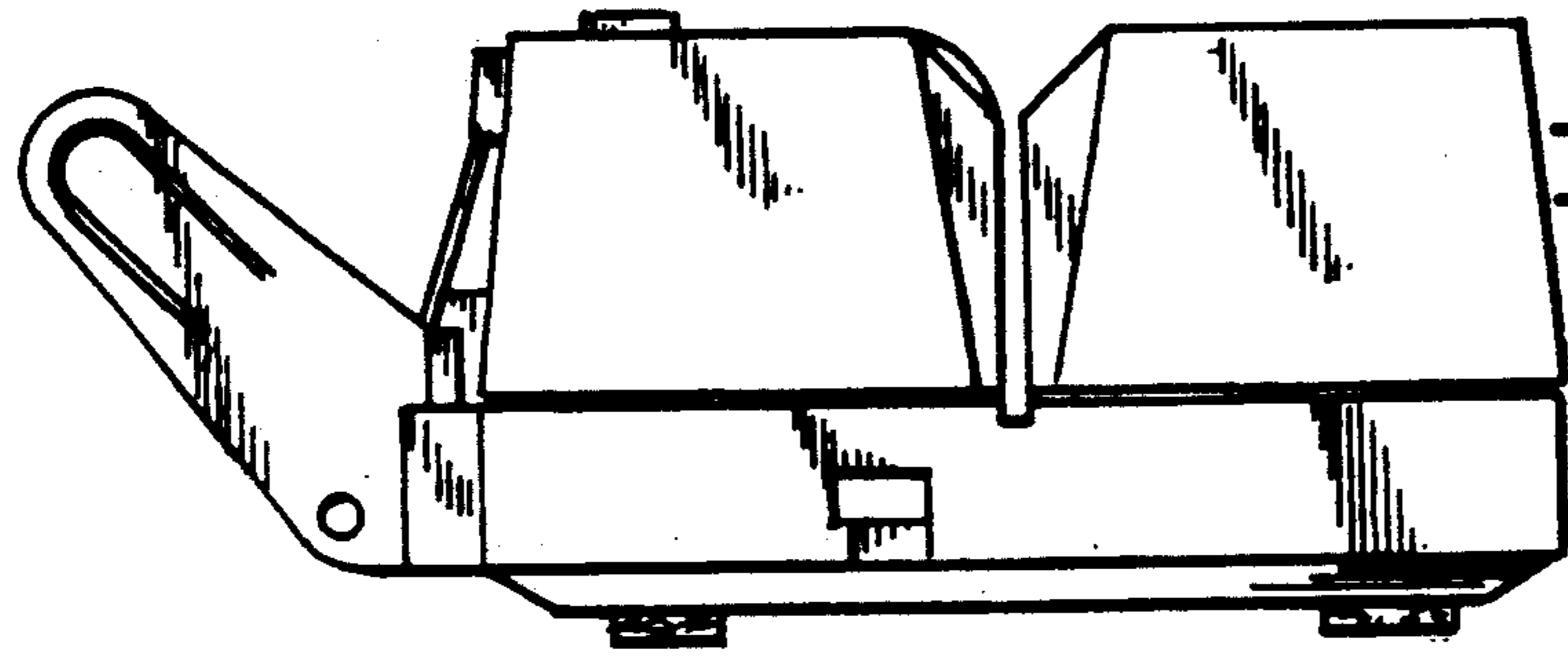


FIG. 6

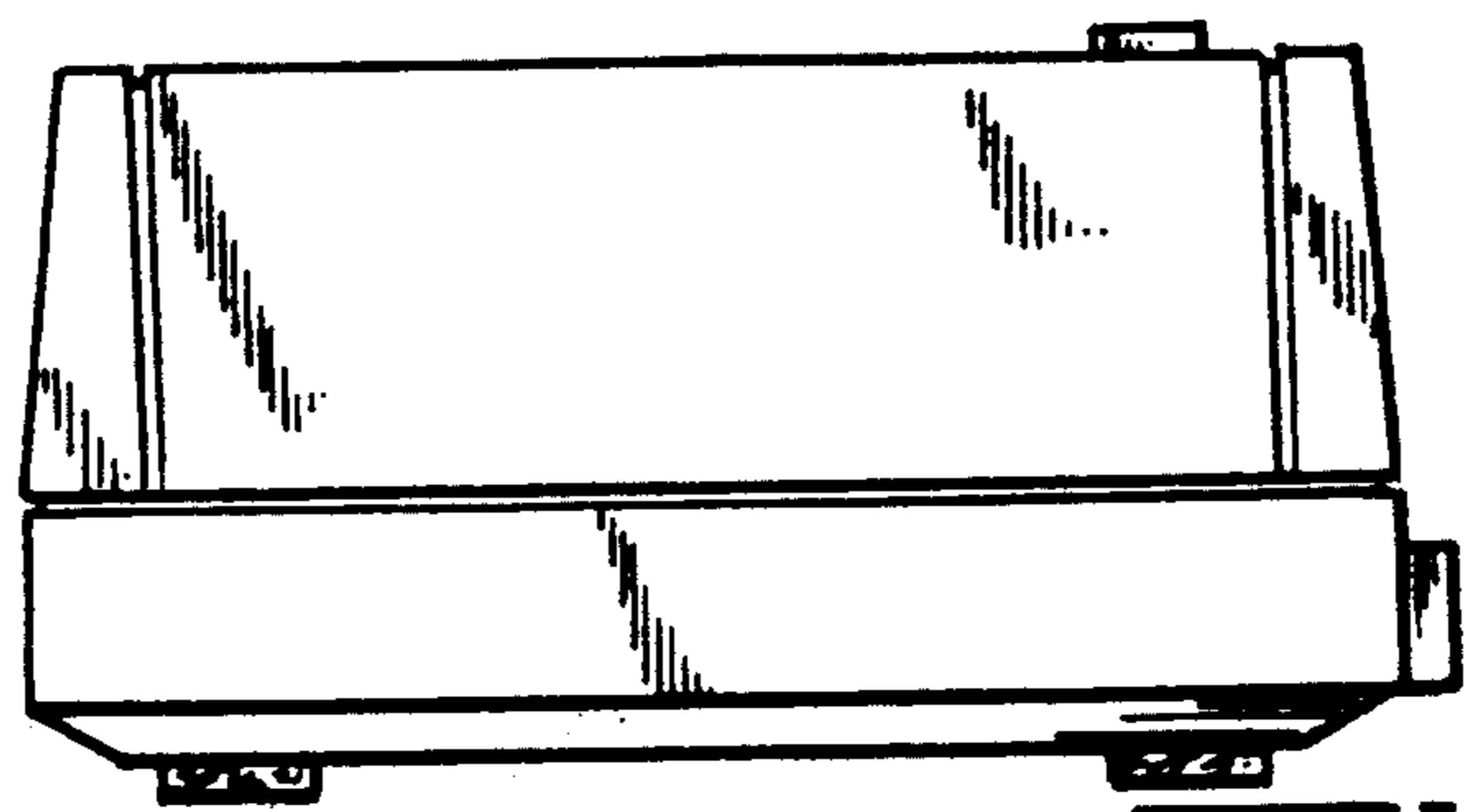


FIG. 7

