



US00D343855S

United States Patent [19]

[11] Patent Number: **Des. 343,855**

Jones

[45] Date of Patent: **** Feb. 1, 1994**

[54] REWINDING MACHINE FOR NEWSPRINT STOCK

[76] Inventor: **David Jones**, 11879 Bonnie La., Nampa, Id. 83651

[**] Term: **14 Years**

[21] Appl. No.: **5,192**

[22] Filed: **Feb. 26, 1993**

Related U.S. Application Data

[63] Continuation of Ser. No. 559,591, Jul. 30, 1990, abandoned.

[52] U.S. Cl. **D18/34**

[58] Field of Search **242/67.1 R; D18/34; D15/7, 9**

[56] References Cited

U.S. PATENT DOCUMENTS

D. 295,754	5/1988	Wang	D15/9
1,577,763	3/1926	Schimek	242/67.1 R
4,099,682	7/1978	Benuska	242/67.1 R
4,498,640	2/1985	Nowak	242/67.1 R
4,500,046	2/1985	Woenker	242/67.1 R
5,060,880	10/1991	Mayer	242/67.1 R
5,069,394	12/1991	Panttila et al.	242/67.1 R

FOREIGN PATENT DOCUMENTS

237986	8/1909	Fed. Rep. of Germany	242/67.1 R
2856104	7/1980	Fed. Rep. of Germany	242/67.1 R
1426308	12/1965	France	242/67.1 R
0131637	7/1978	German Democratic Rep.	242/67.1 R
0235058	4/1986	German Democratic Rep.	242/67.1 R
329019	5/1958	Switzerland	242/67.1 R
1460005	12/1976	United Kingdom	242/67.1 R
2070575	9/1981	United Kingdom	242/67.1 R

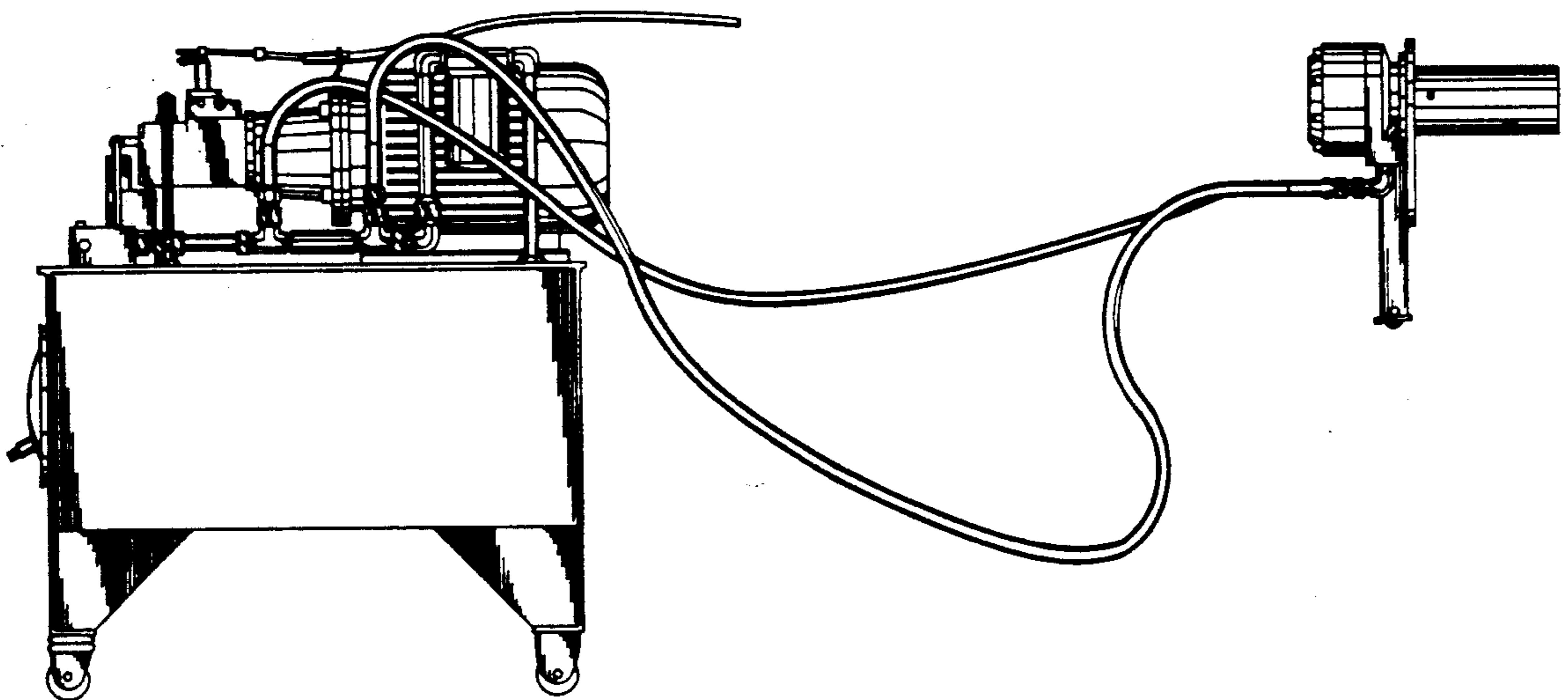
Primary Examiner—A. Hugo Word
Assistant Examiner—Cathy Anne MacCormac
Attorney, Agent, or Firm—Frank J. Dykas; Craig M. Korfanta; Ken J. Pedersen

[57] CLAIM

The ornamental design for a rewinding machine for newsprint stock, as shown and described.

DESCRIPTION

Fig. 1 is a front elevational view of the newsprint stock rewinding machine showing my new design;
 FIG. 2 is a right side elevational view of the hydraulic tank and pump portion of the newsprint stock rewinding machine;
 FIG. 3 is a rear elevational view of the hydraulic tank and pump portion;
 FIG. 4 is a front elevational view of the hydraulic tank and pump portion;
 FIG. 5 is a left side elevational view of the hydraulic tank and pump portion;
 FIG. 6 is a top plan view of the hydraulic tank and pump portion;
 FIG. 7 is a bottom plan view of the hydraulic tank and pump portion;
 FIG. 8 is a front elevational view of the hydraulic motor portion;
 FIG. 9 is a right side elevational view of the hydraulic motor portion;
 FIG. 10 is a rear elevational view of the hydraulic motor portion;
 FIG. 11 is a left side elevational view of the hydraulic motor portion;
 FIG. 12 is a top plan view of the hydraulic motor portion; and,
 FIG. 13 is a bottom plan view of the hydraulic motor portion;
 The broken lines in FIGS. 8, 12 and 13 are for purposes of illustration only and form no part of the claimed design;



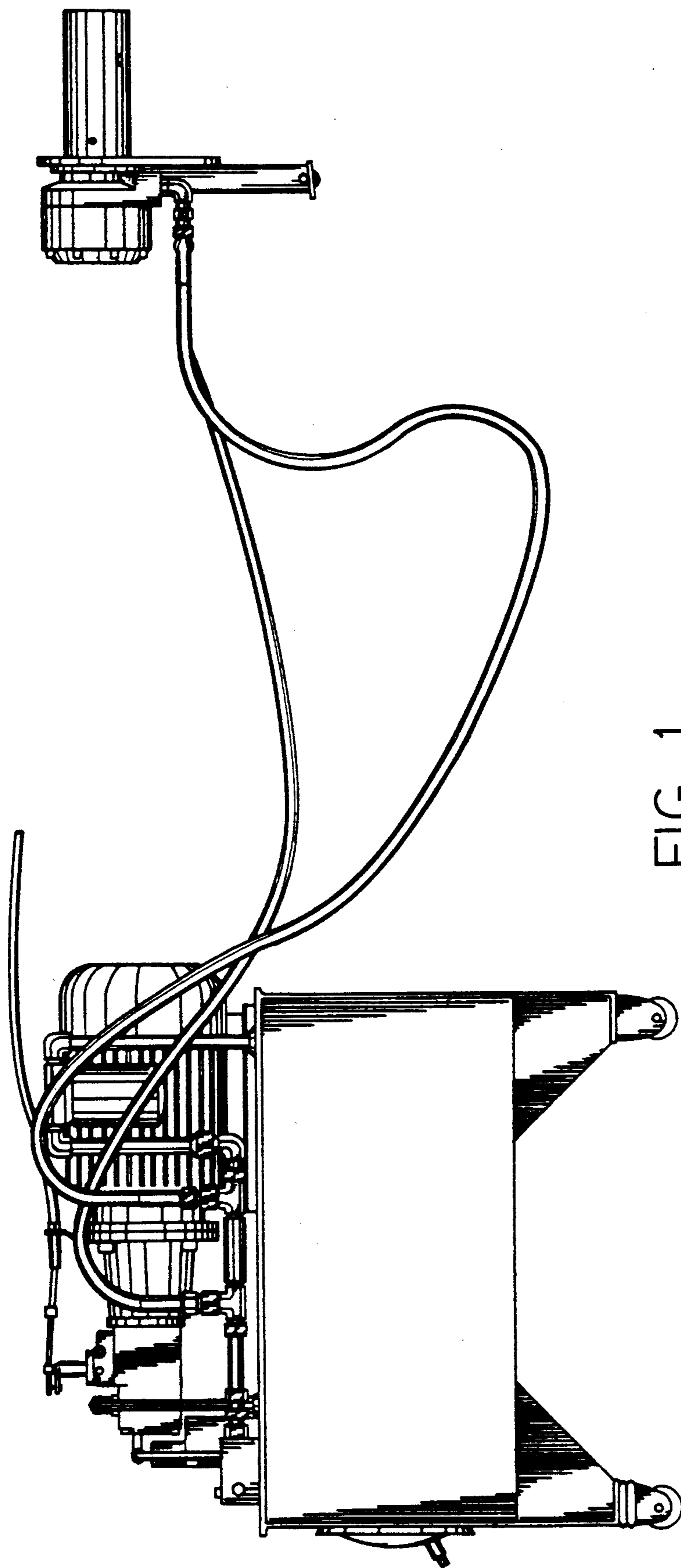


FIG. 1

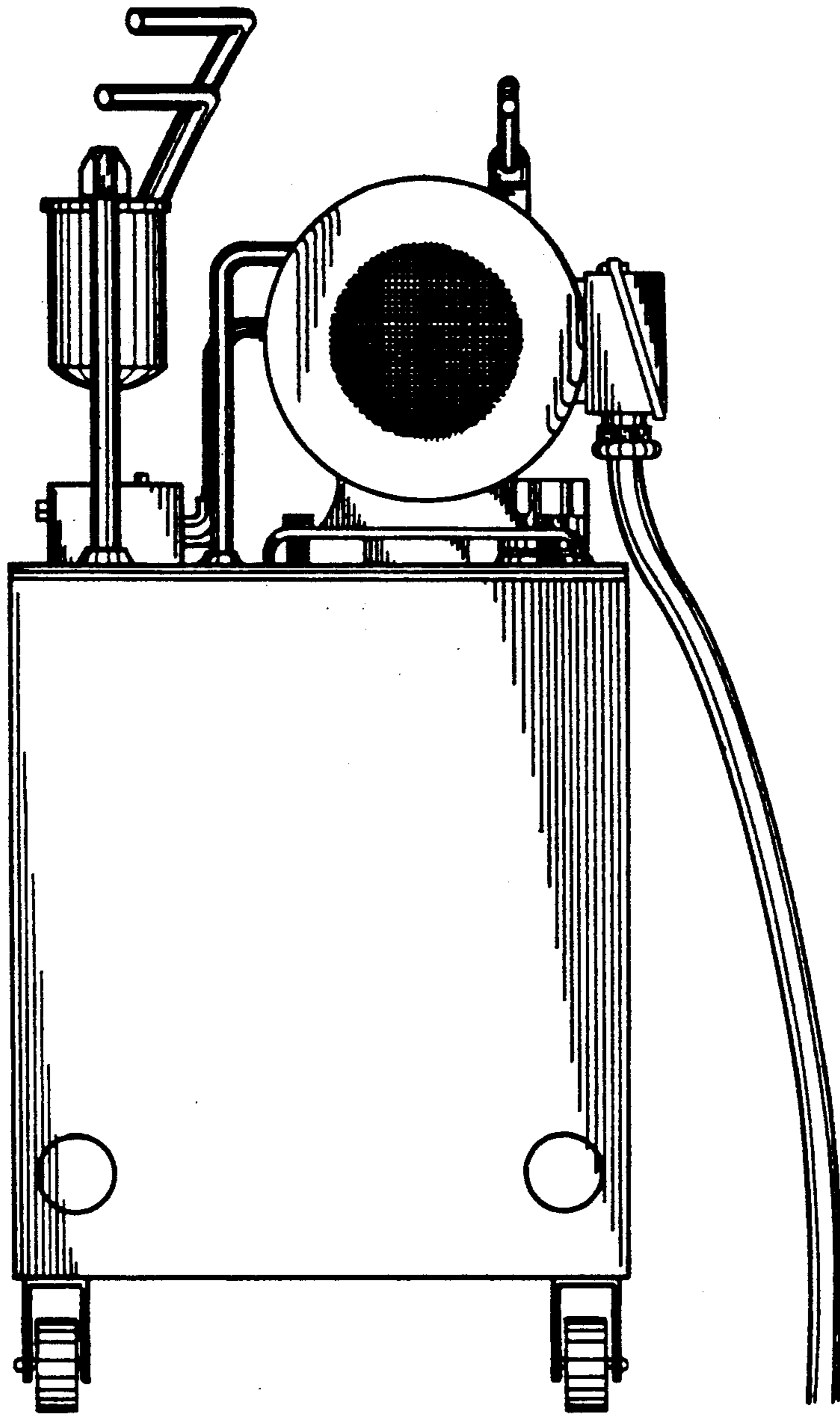


FIG. 2

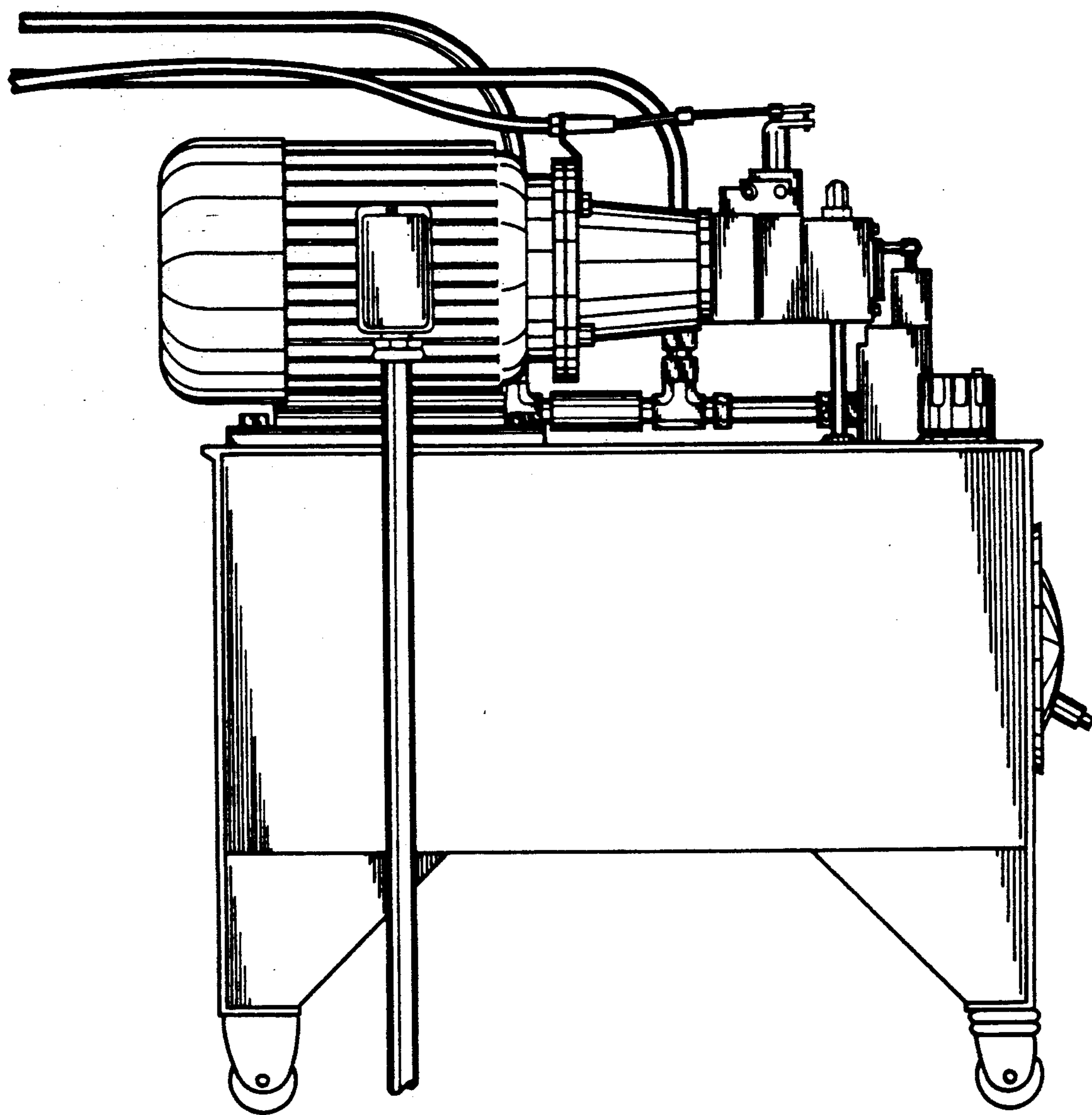


FIG. 3

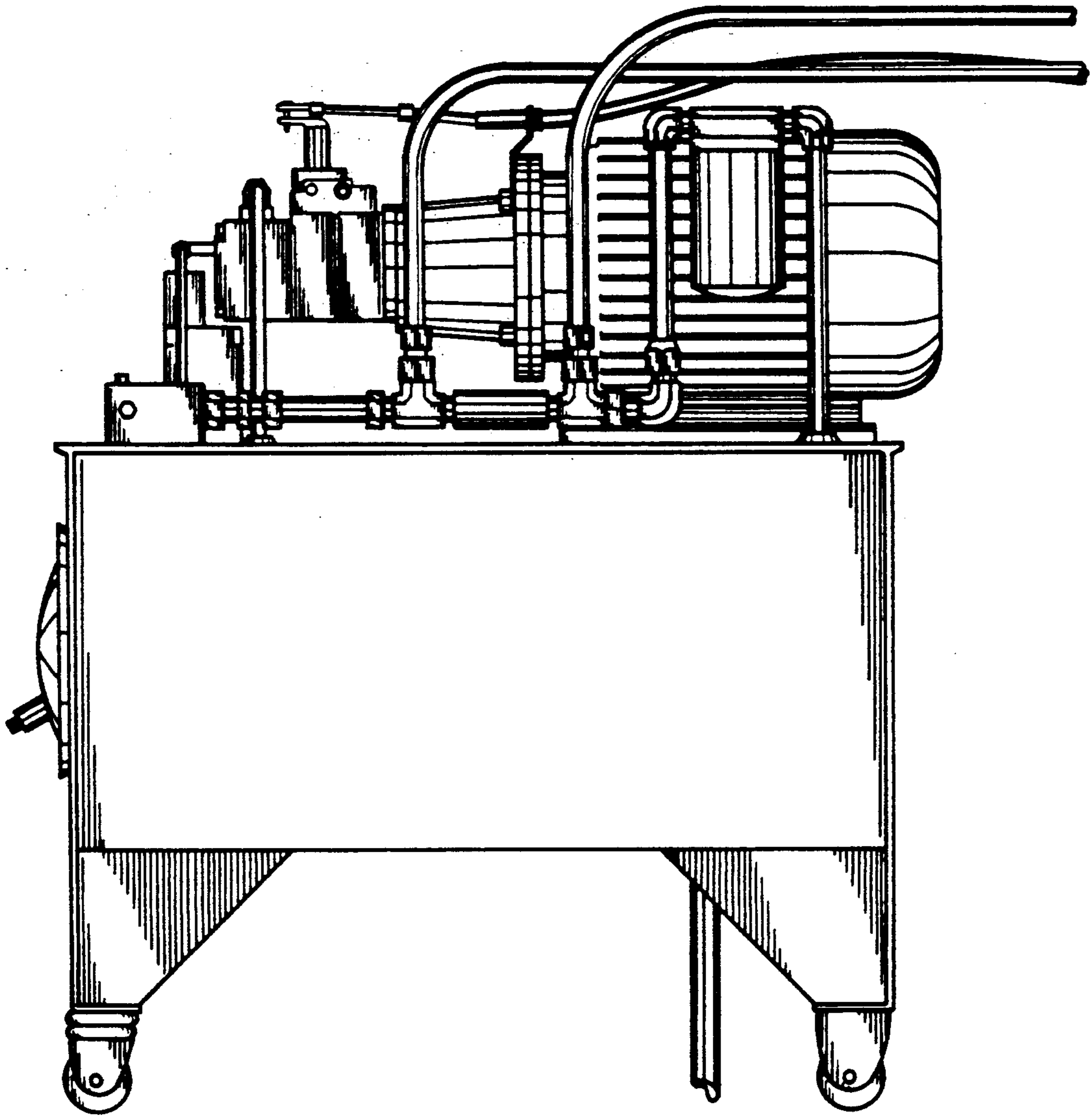


FIG. 4

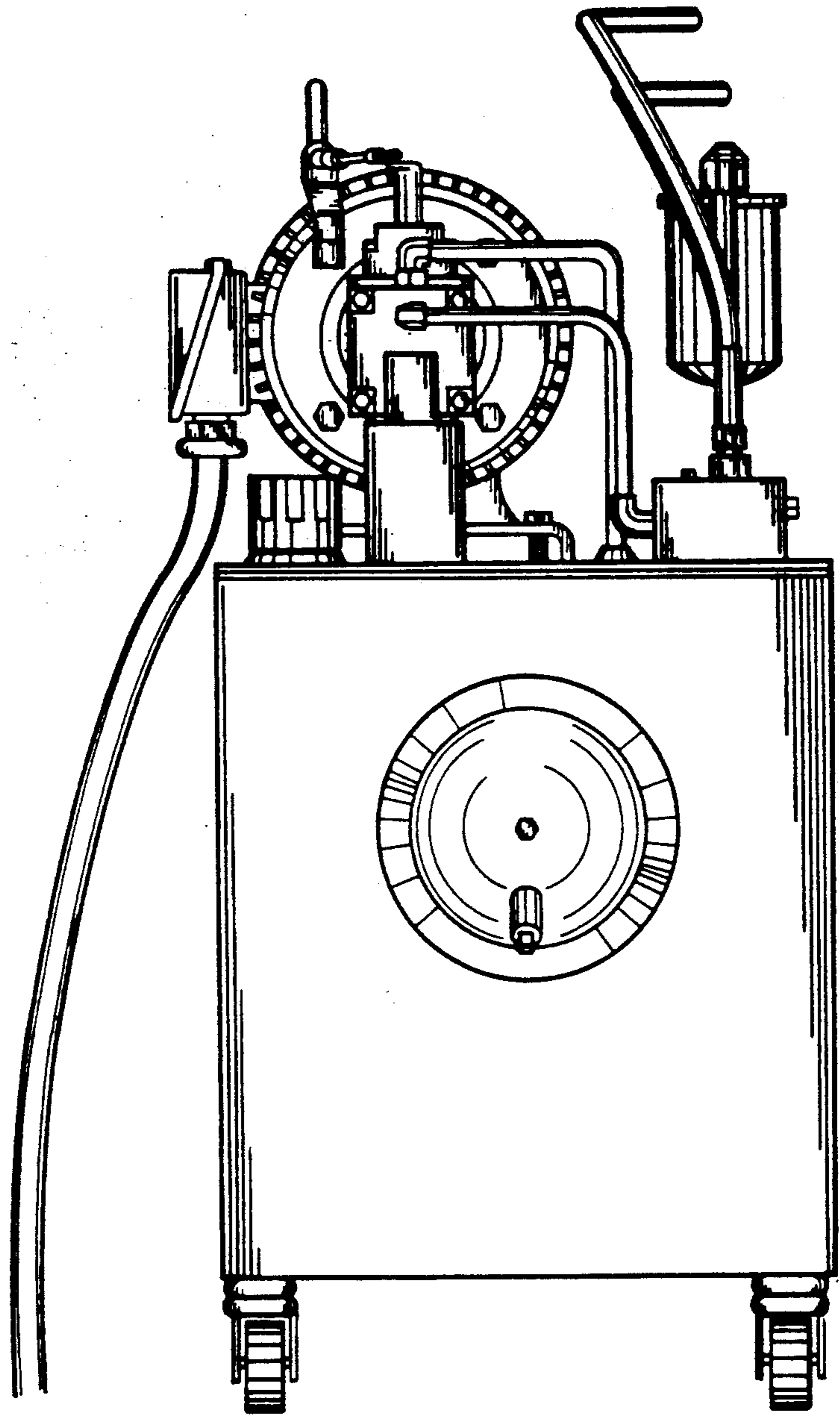


FIG. 5

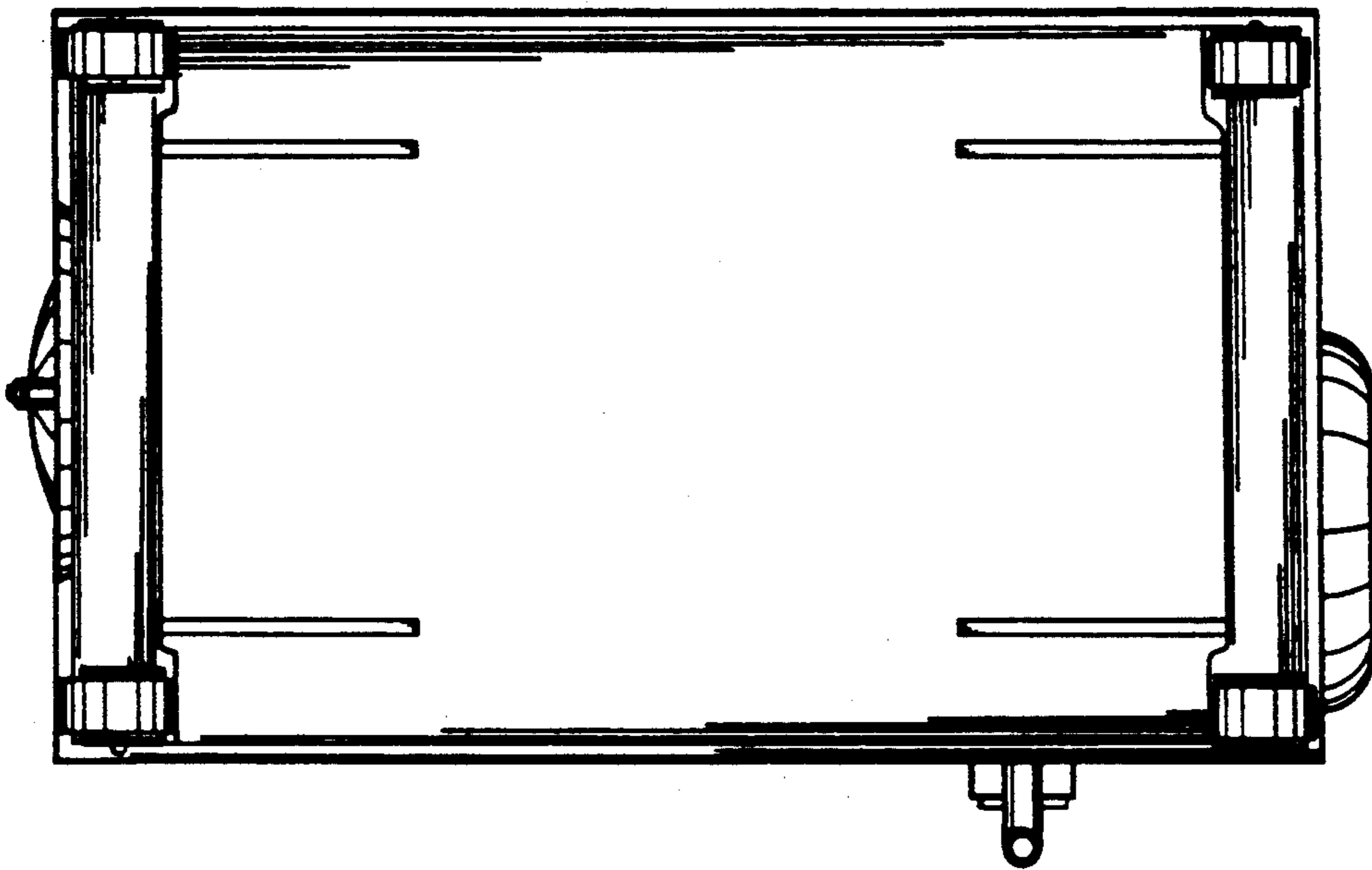


FIG. 7

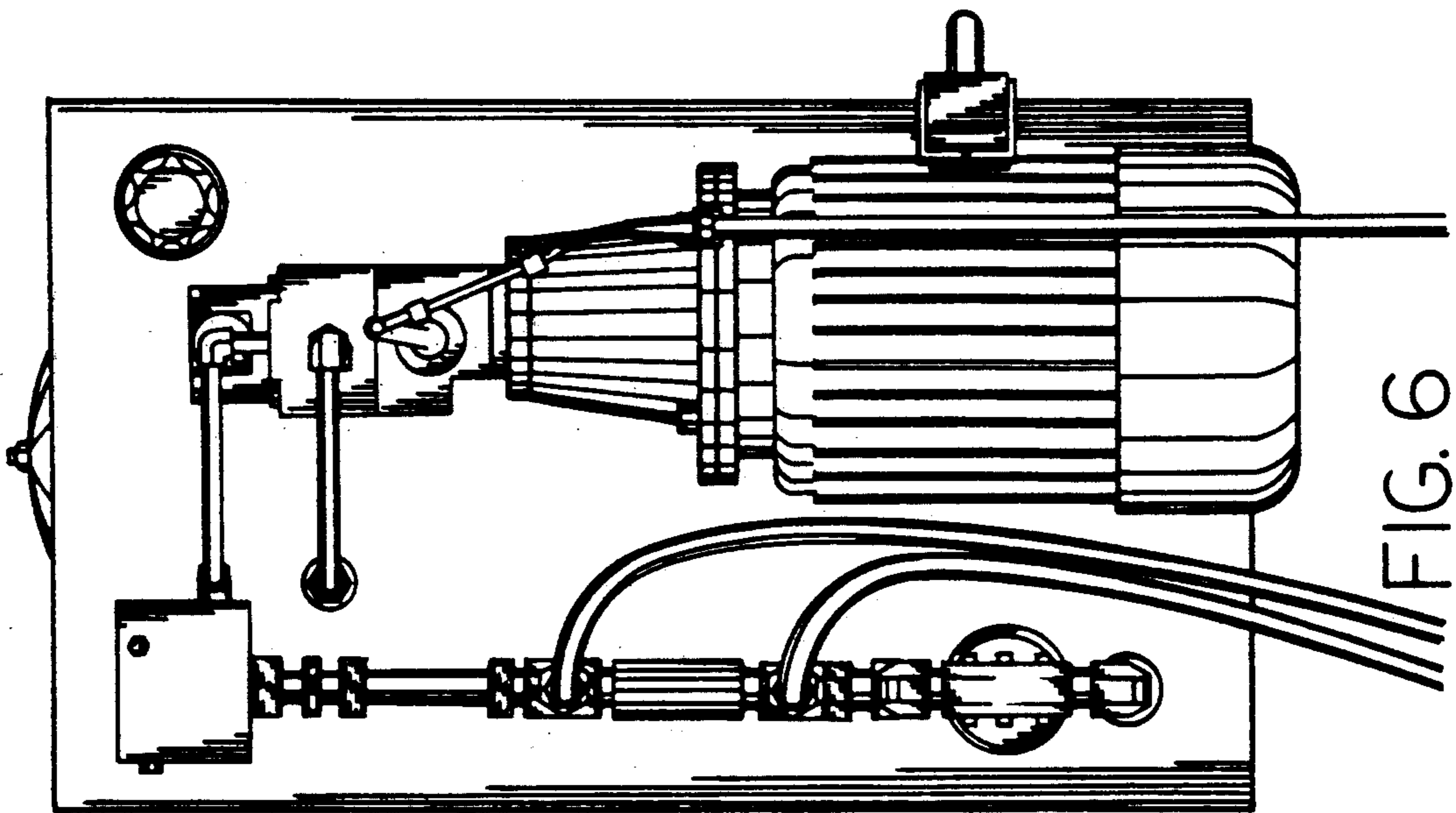


FIG. 6

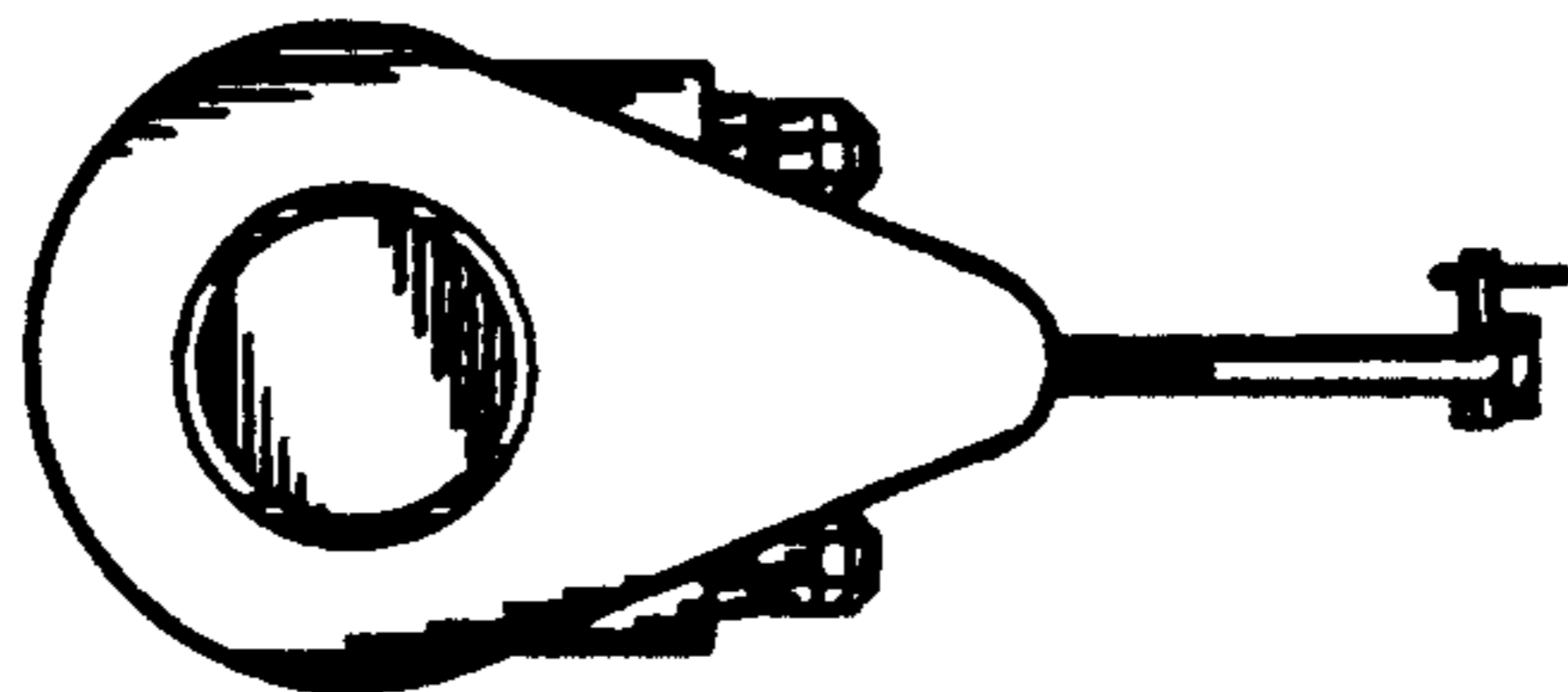


FIG. 9

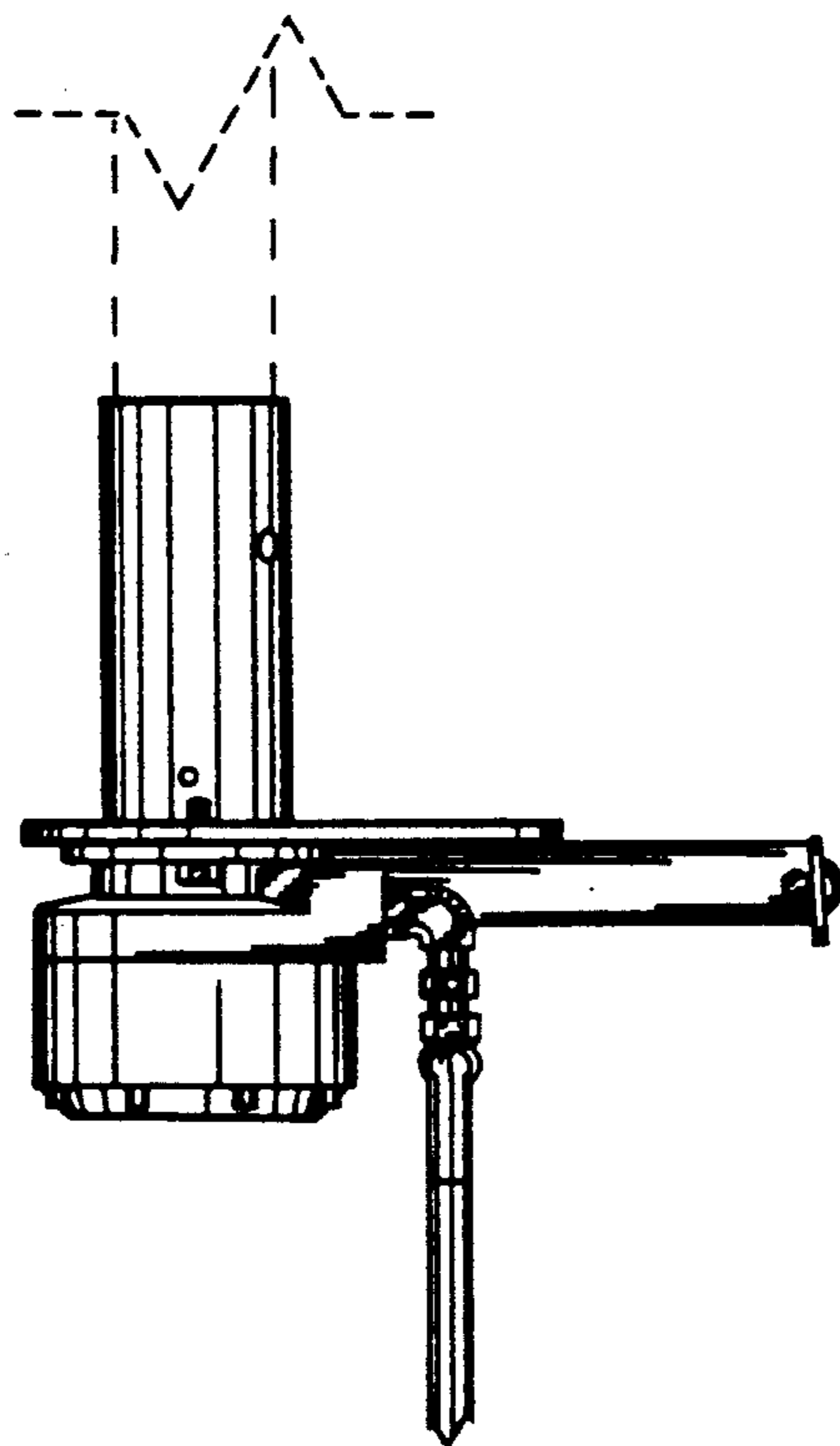


FIG. 8

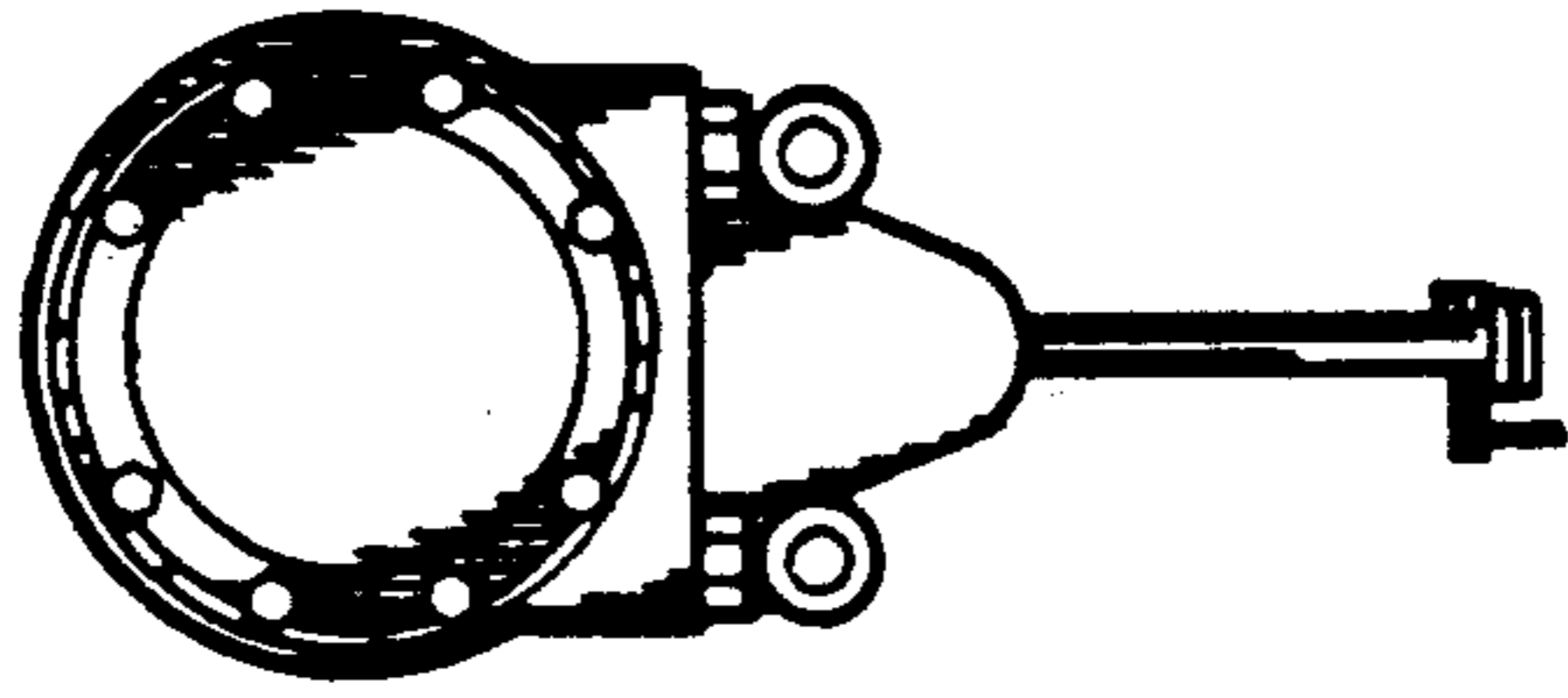


FIG. 11

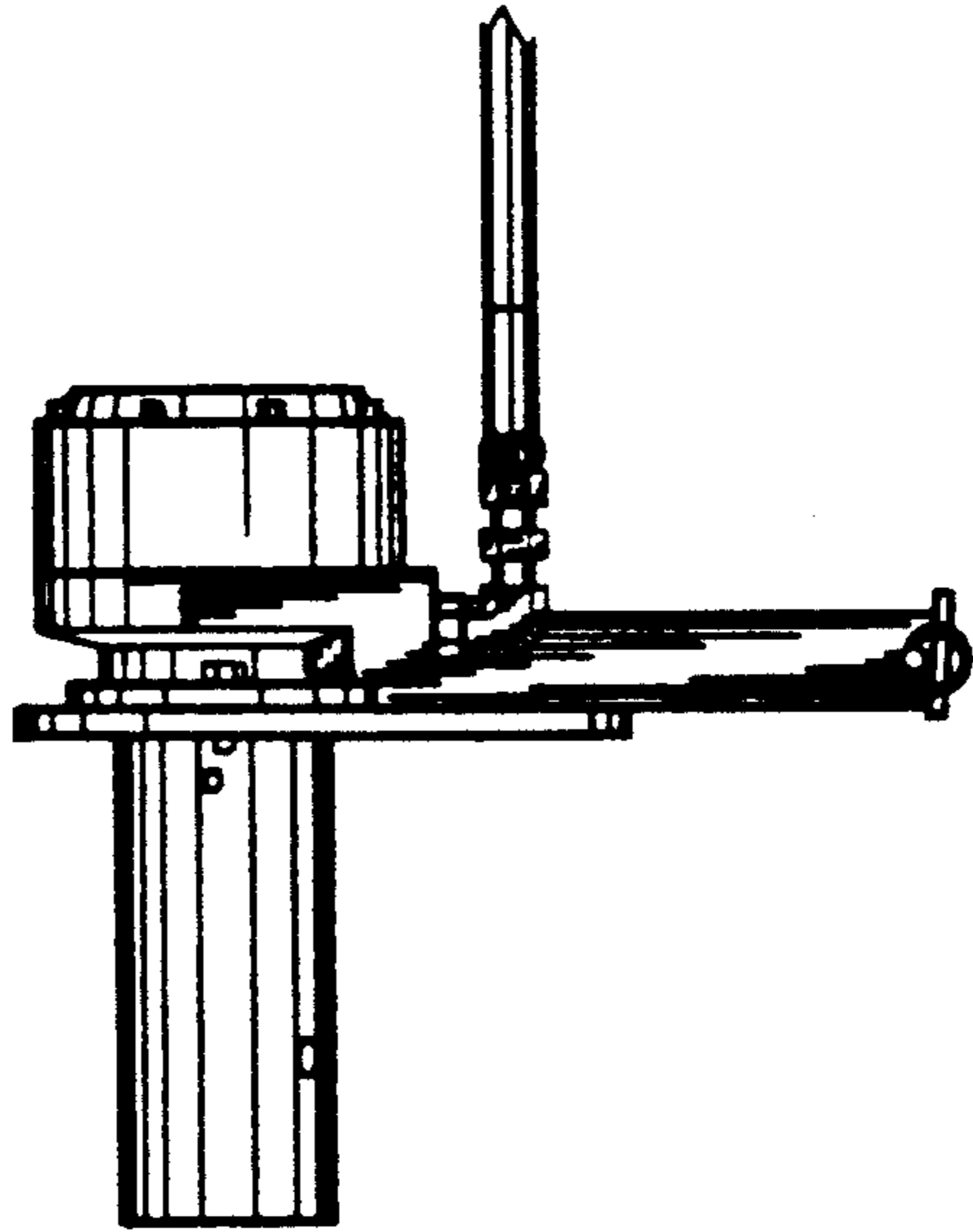


FIG. 10

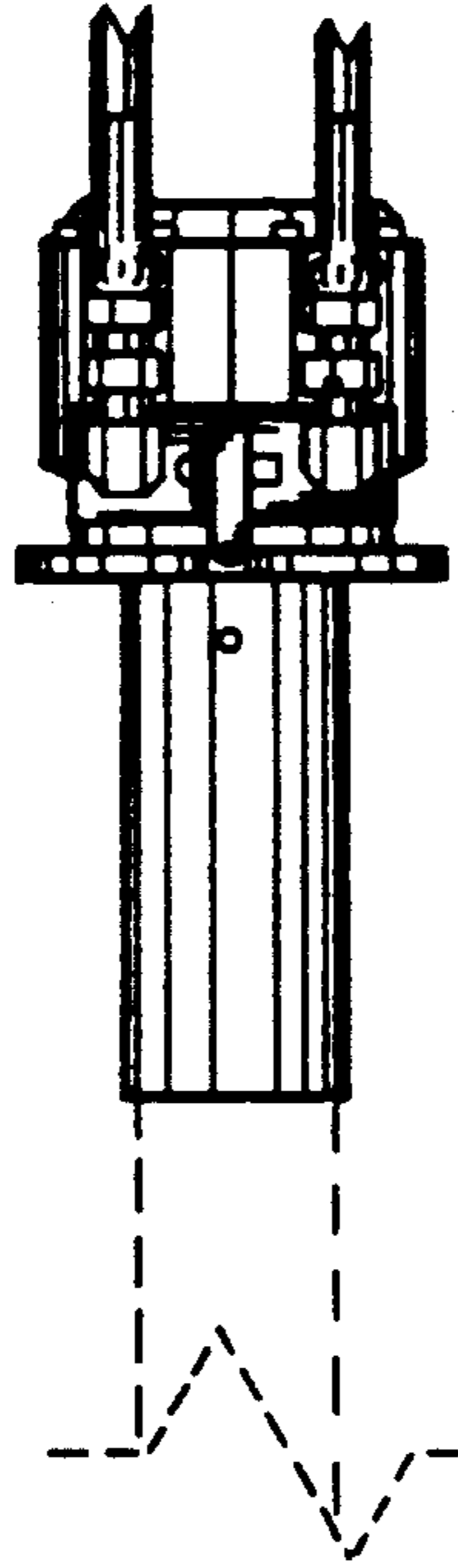


FIG. 12

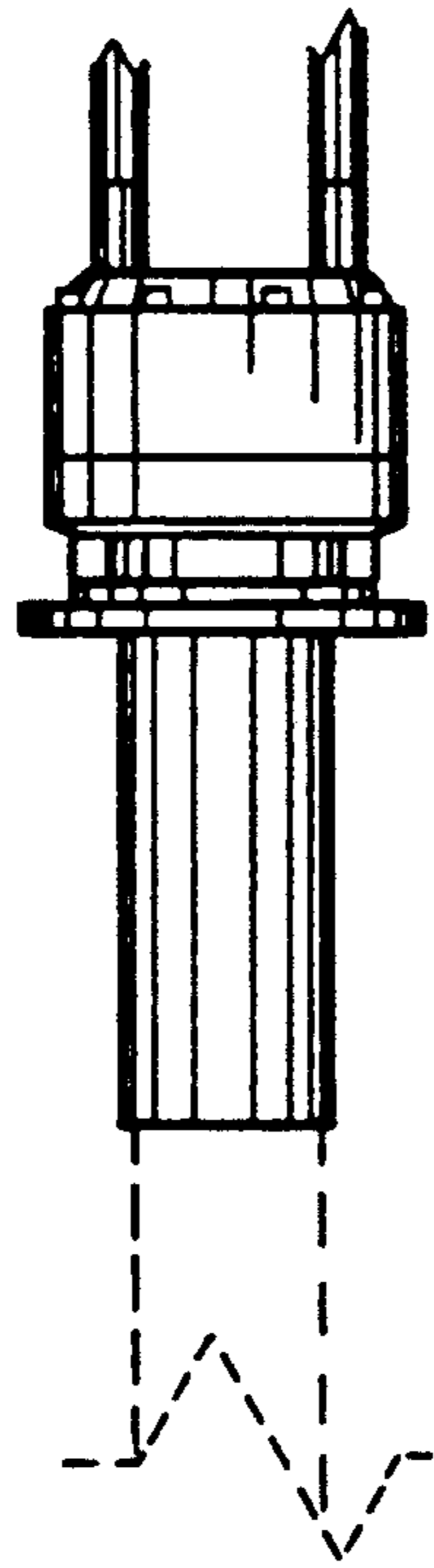


FIG. 13