



US00D343853S

# United States Patent [19]

[11] Patent Number: **Des. 343,853**

**Haung**

[45] Date of Patent: **\*\* Feb. 1, 1994**

[54] **TRIPOD HEAD**

[76] Inventor: **Yee M. Haung**, 5 F, No. 151, Nan Da Rd., Hsinchu, Taiwan

[\*\*] Term: **14 Years**

[21] Appl. No.: **680,286**

[22] Filed: **Apr. 4, 1991**

[52] U.S. Cl. .... **D16/245**

[58] Field of Search ..... 248/183-185;  
354/293-295; D16/244, 245

[56] **References Cited**

**U.S. PATENT DOCUMENTS**

D. 262,635	1/1982	Iwasaki	.....	D16/245
D. 276,730	12/1984	Nakatani	.....	D16/245
D. 289,899	5/1987	Iwasaki	.....	D16/245
D. 294,150	2/1988	Iwasaki	.....	D16/245
D. 303,269	9/1989	Yamaguchi	.....	D16/245

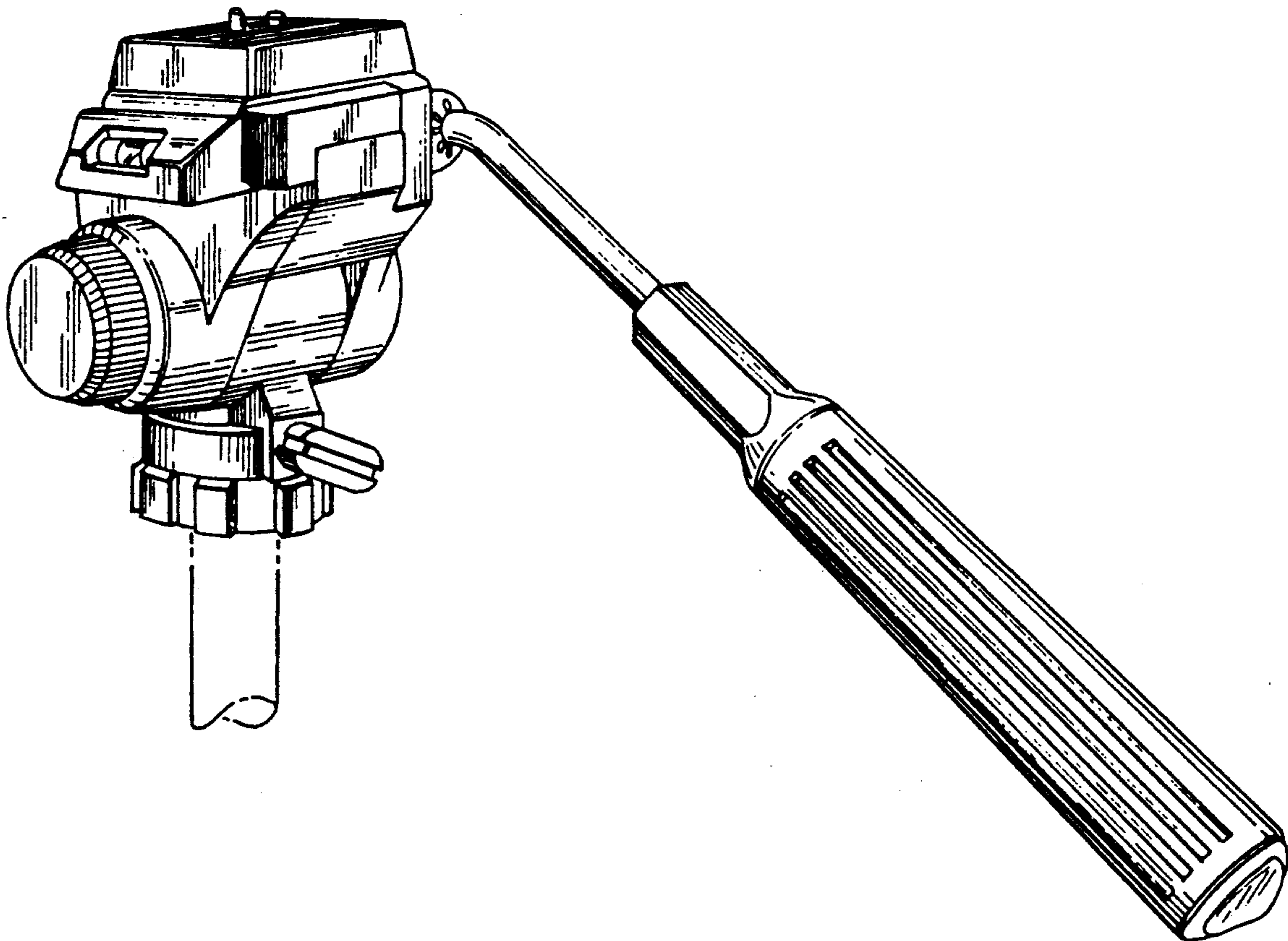
*Primary Examiner*—Bernard Ansher  
*Assistant Examiner*—Adir Aronovich  
*Attorney, Agent, or Firm*—Ladas & Parry

[57] **CLAIM**

The design for a tripod head, as shown and described above.

**DESCRIPTION**

FIG. 1 is a perspective view of my new design for a tripod head;  
FIG. 2 is a front view of my new design;  
FIG. 3 is a rear view of my new design;  
FIG. 4 is a left side view of my new design;  
FIG. 5 is a right side view of my new design;  
FIG. 6 is a top view of my new design; and,  
FIG. 7 is a bottom view of my new design.  
The broken line showing the fragmentary leg portion is for illustrative purposes and forms no part of the claim design.



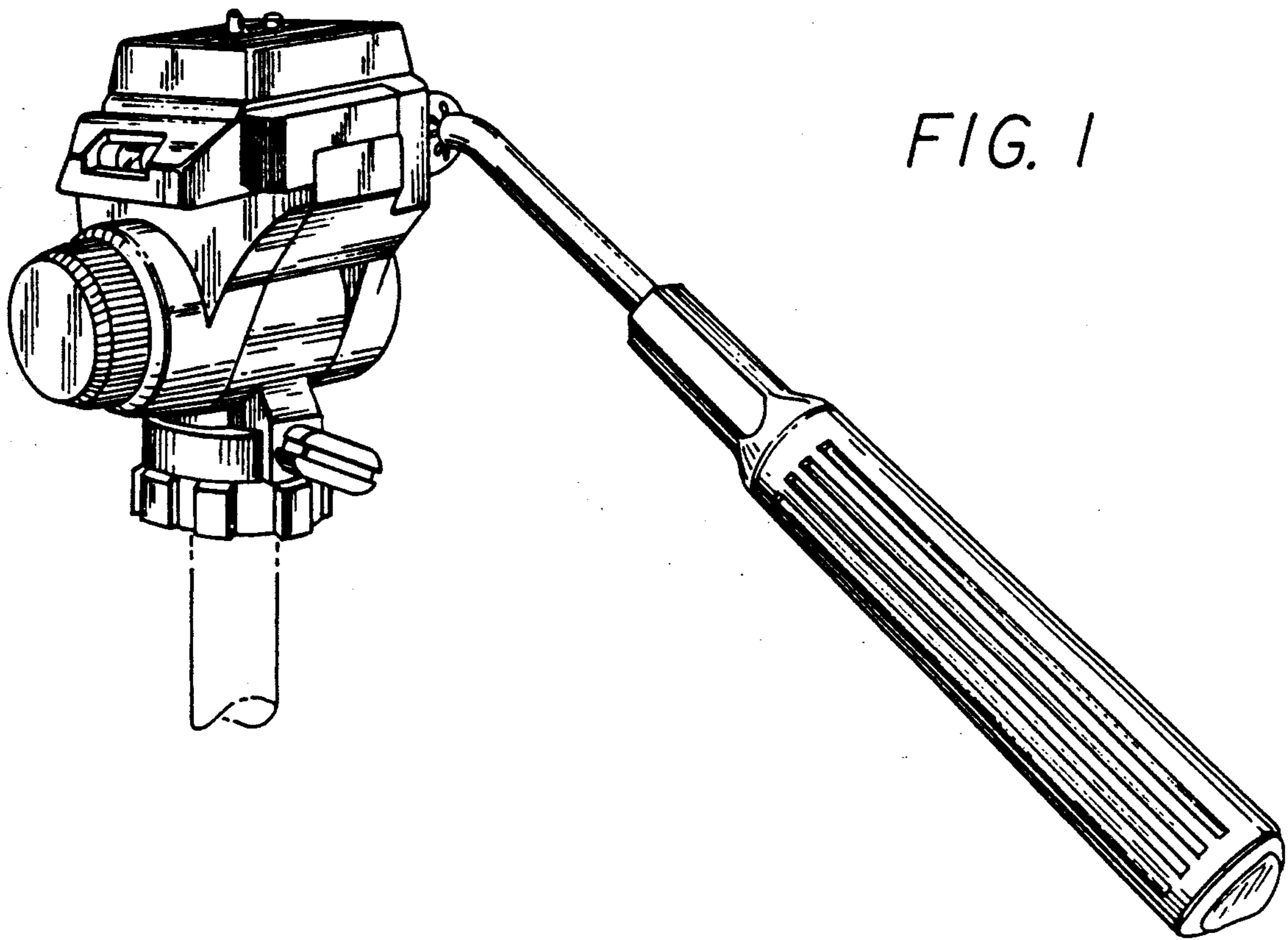


FIG. 1

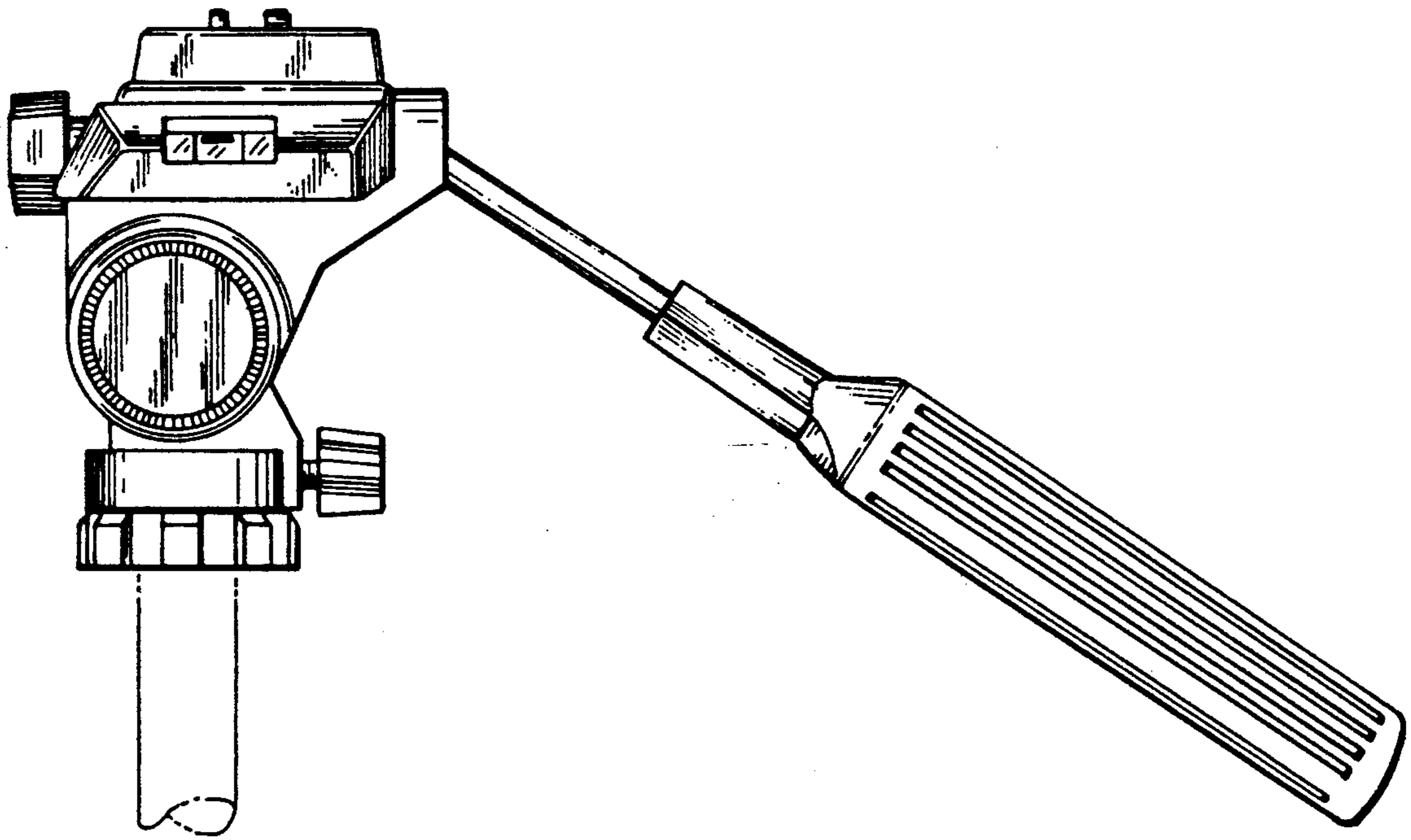


FIG. 2

FIG. 3

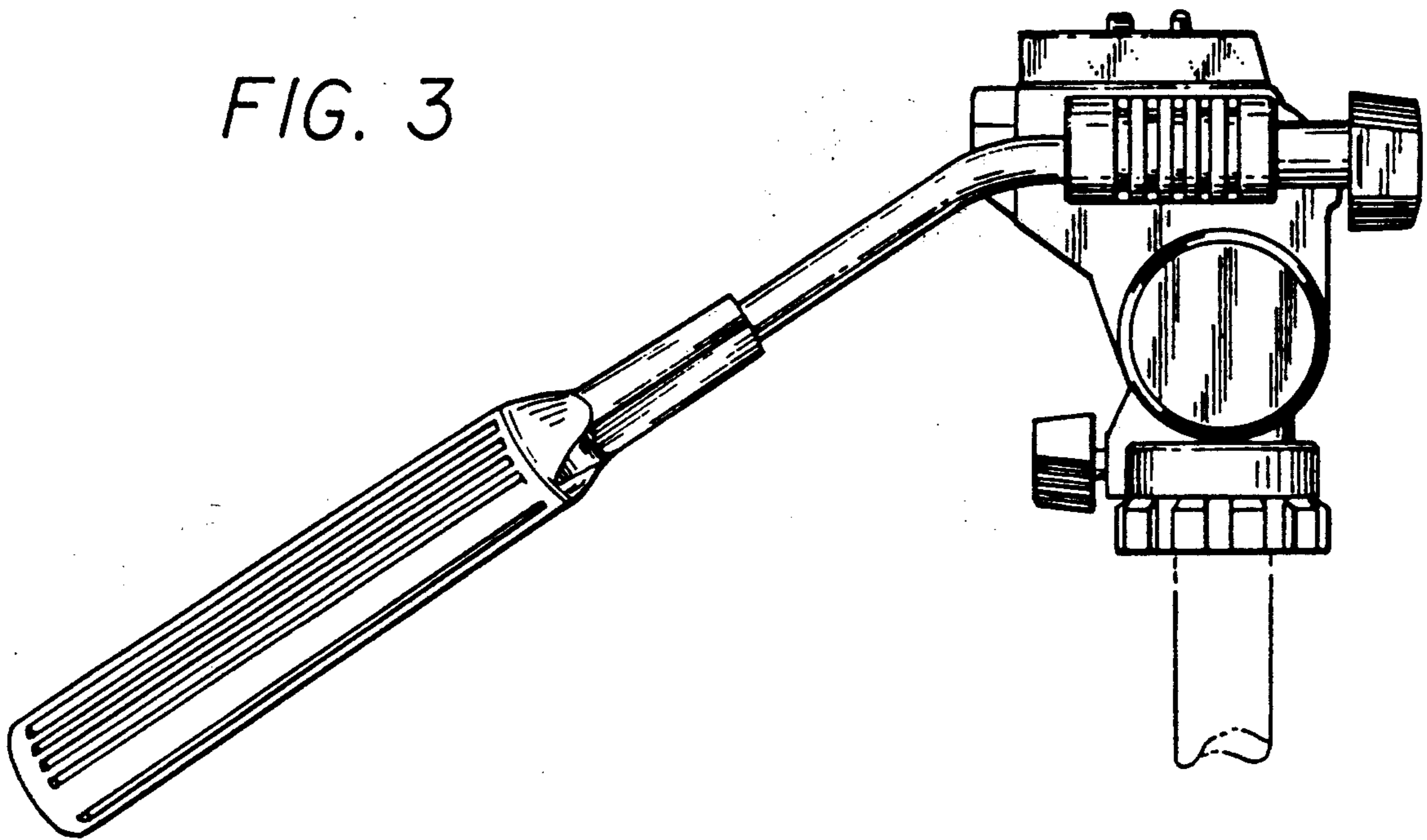


FIG. 4

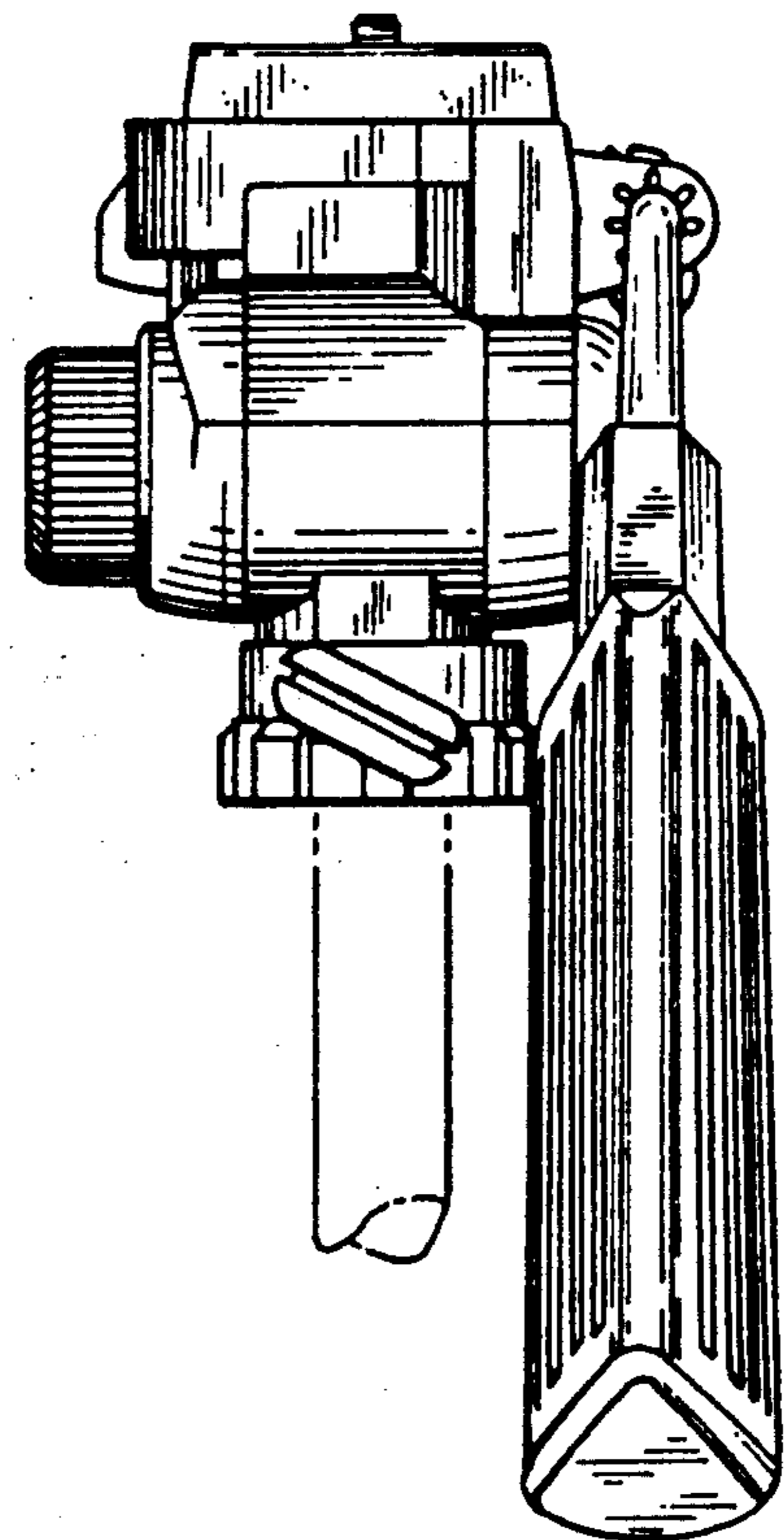
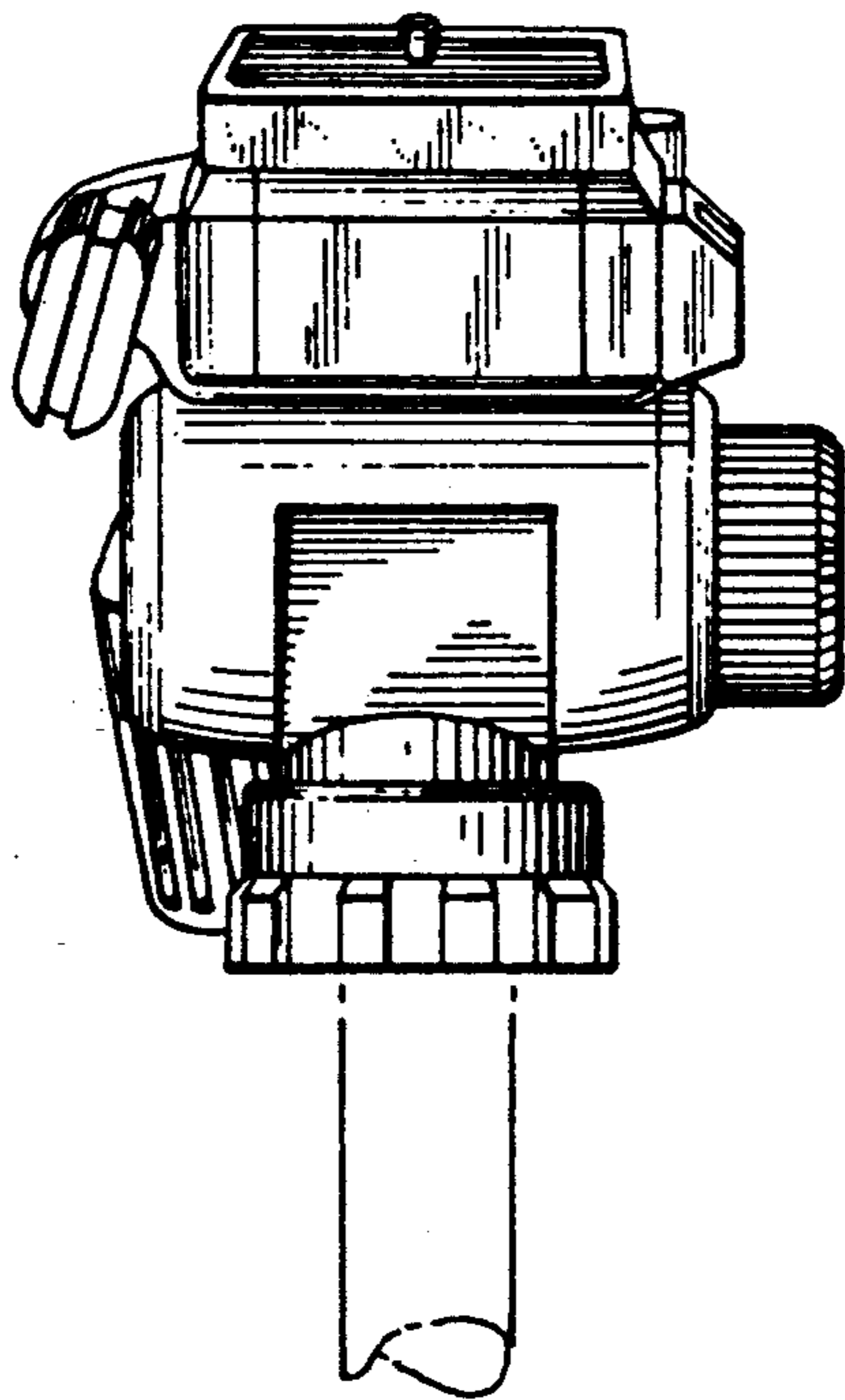


FIG. 5

FIG. 6

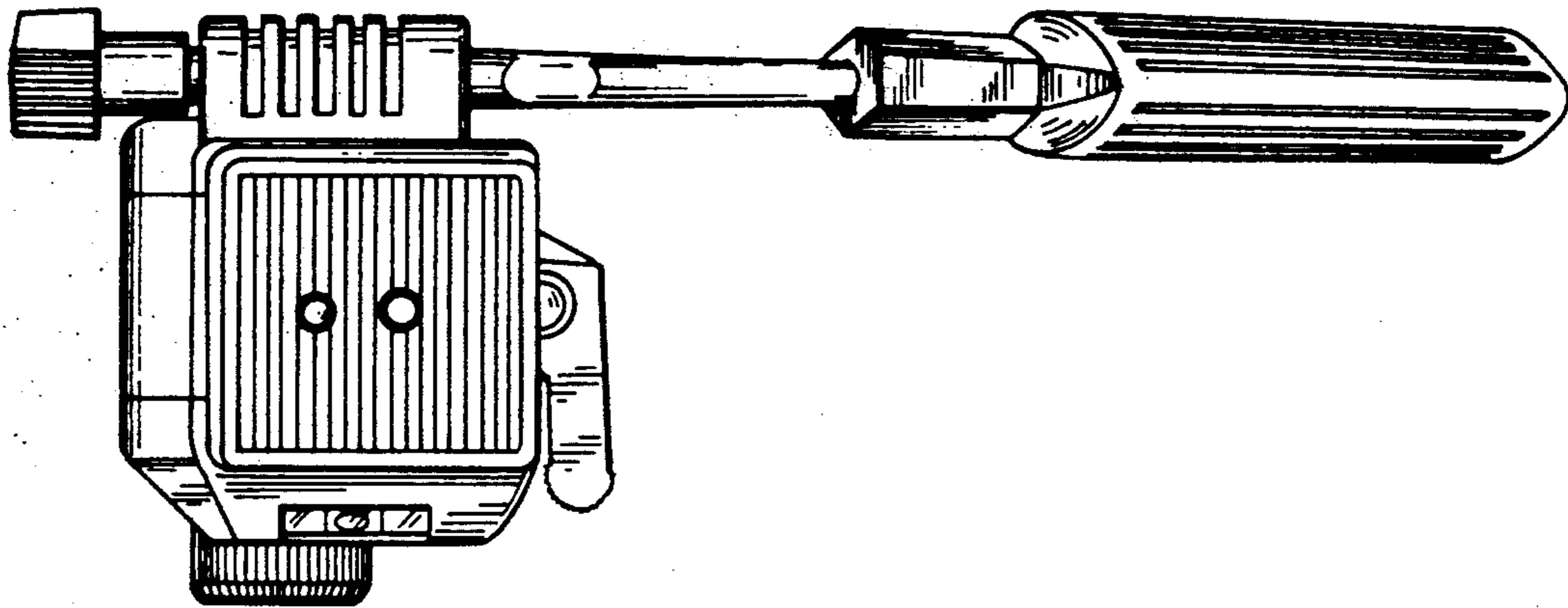


FIG. 7

