



US00D343851S

United States Patent [19]

[11] Patent Number: **Des. 343,851**

Haung

[45] Date of Patent: **** Feb. 1, 1994**

[54] TRIPOD HEAD

[76] Inventor: **Yee M. Haung**, 5 F, No. 151, Nan Da Rd., Hsinchu, Taiwan

[**] Term: **14 Years**

[21] Appl. No.: **680,266**

[22] Filed: **Apr. 4, 1991**

[52] U.S. Cl. **D16/245**

[58] Field of Search **248/183-185; 354/293-295; D16/244, 245**

[56] References Cited

U.S. PATENT DOCUMENTS

D. 262,635	1/1982	Iwasaki	D16/245
D. 276,730	12/1984	Nakatani	D16/245
D. 289,899	5/1987	Iwasaki	D16/245
D. 303,269	9/1989	Yamaguchi	D16/245
D. 327,085	6/1992	Miyauchi	D16/245

Primary Examiner—Bernard Ansher
Assistant Examiner—Adir Aronovich
Attorney, Agent, or Firm—Ladas & Parry

[57] CLAIM

The design for a tripod head, as shown and described above.

DESCRIPTION

FIG. 1 is a perspective view of my new design for a tripod head;

FIG. 2 is a front view of my new design;

FIG. 3 is a rear view of my new design;

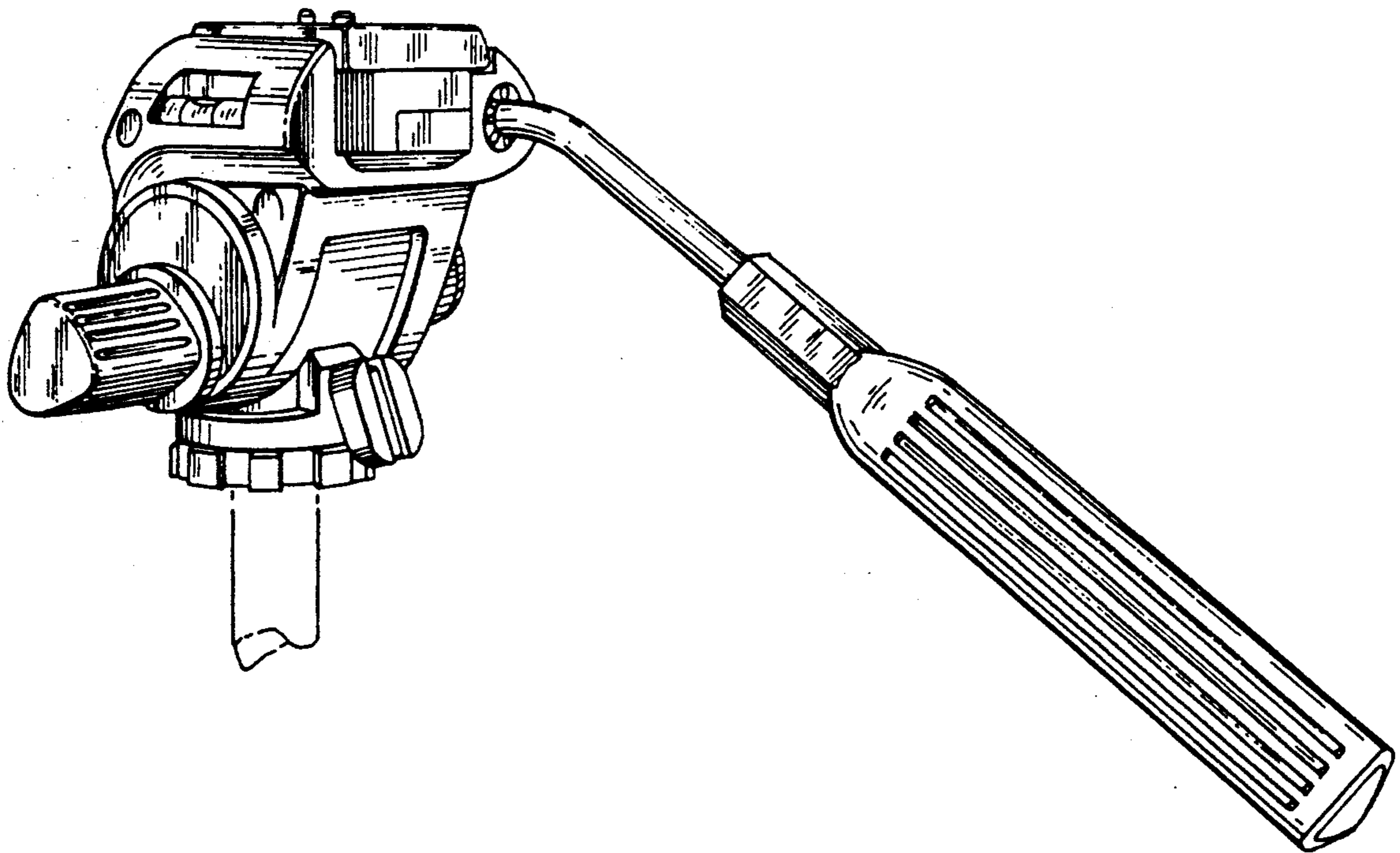
FIG. 4 is a left side view of my new design;

FIG. 5 is a right side view of my new design;

FIG. 6 is a top view of my new design; and,

FIG. 7 is a bottom view of my new design.

The broken line showing the fragmentary leg portion is for illustrative purposes and forms no part of the claim design.



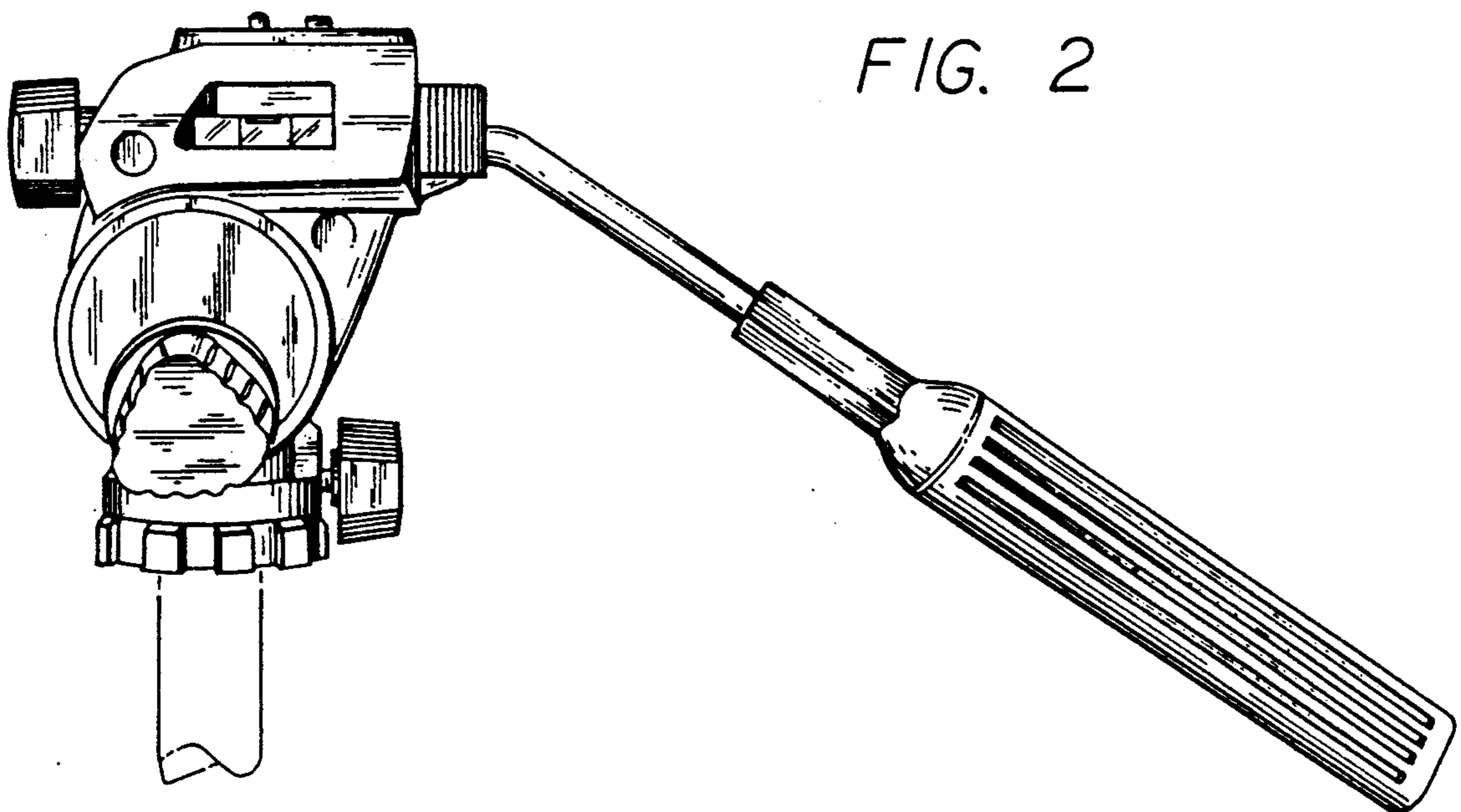
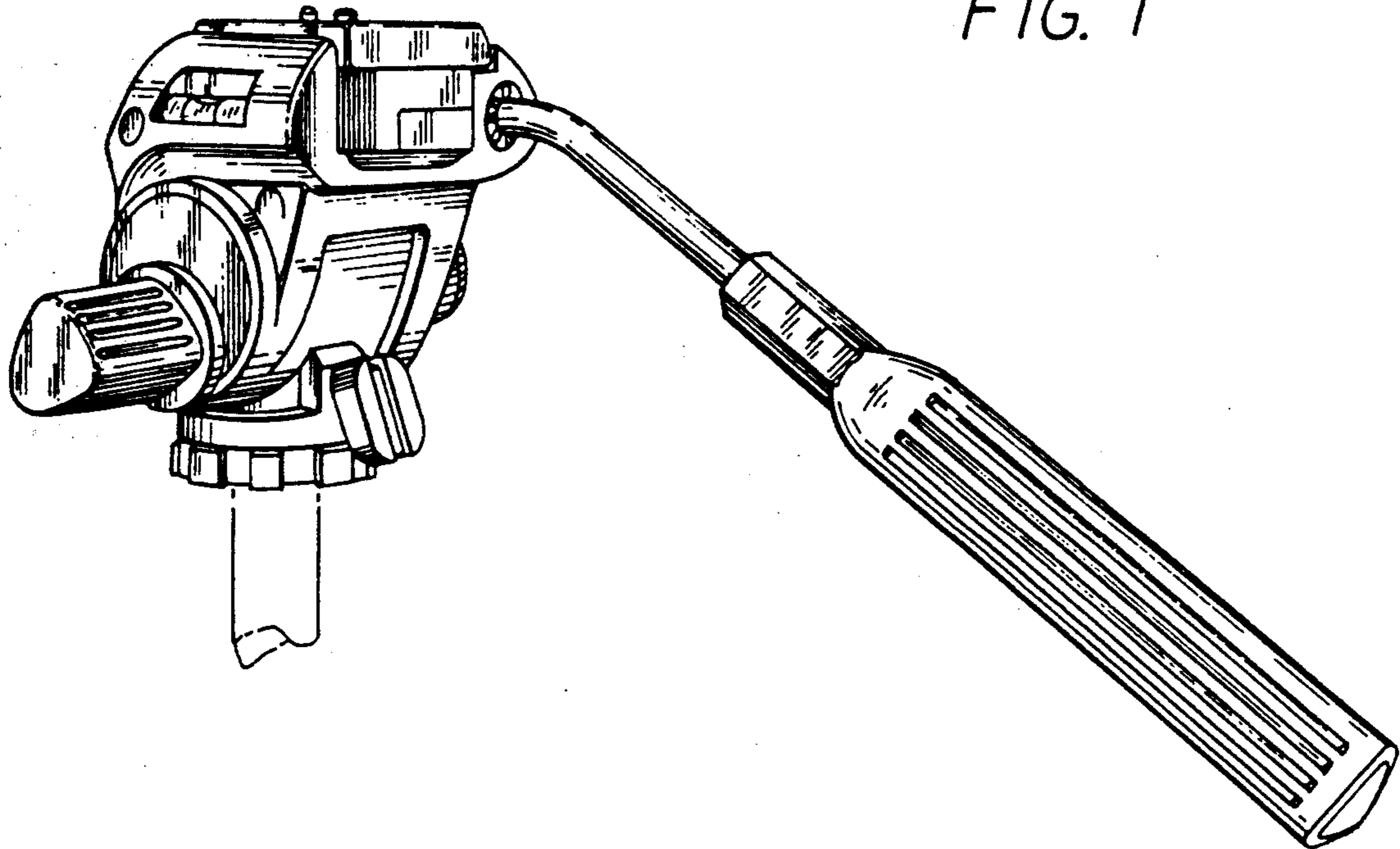


FIG. 3

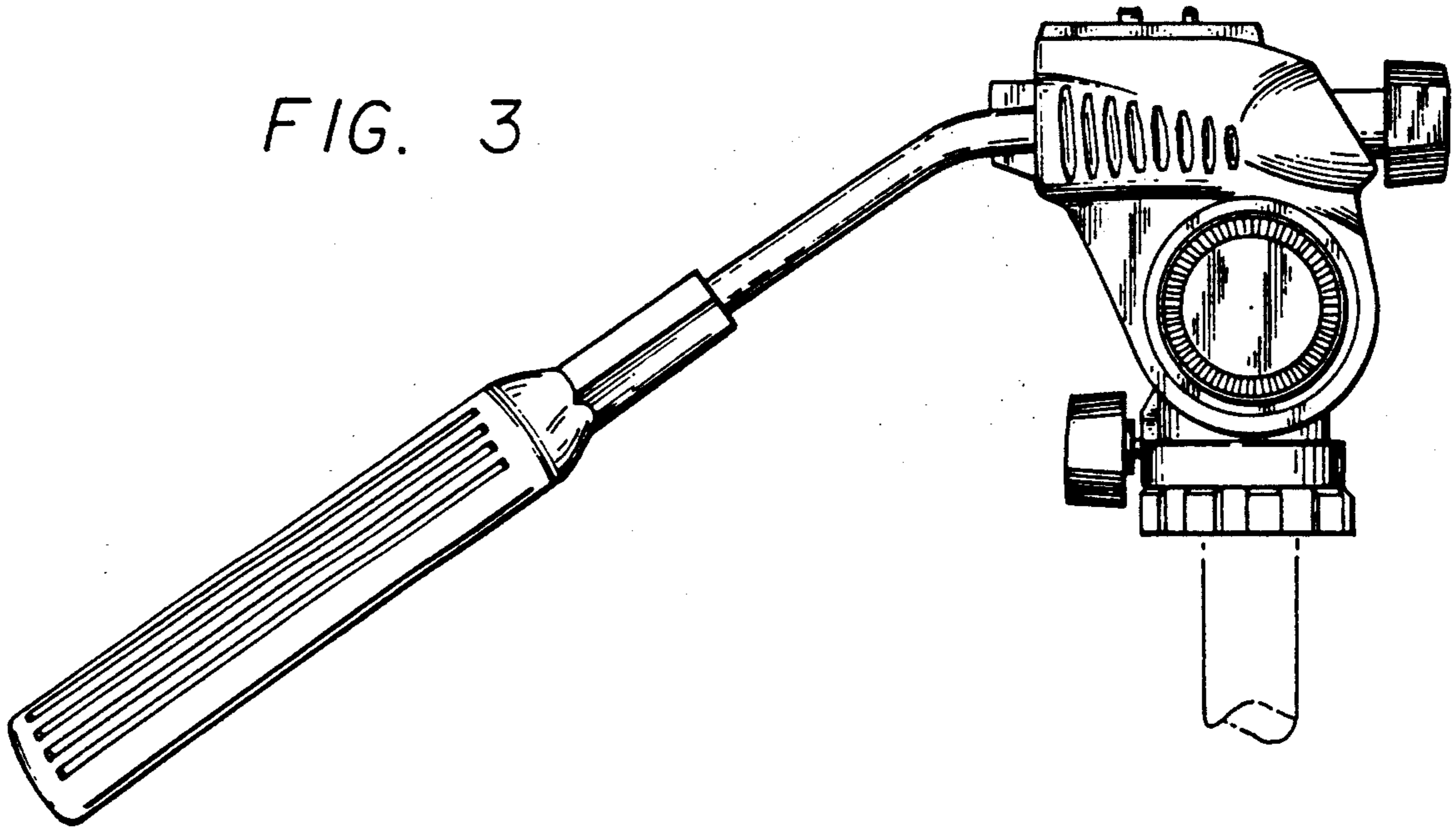


FIG. 5

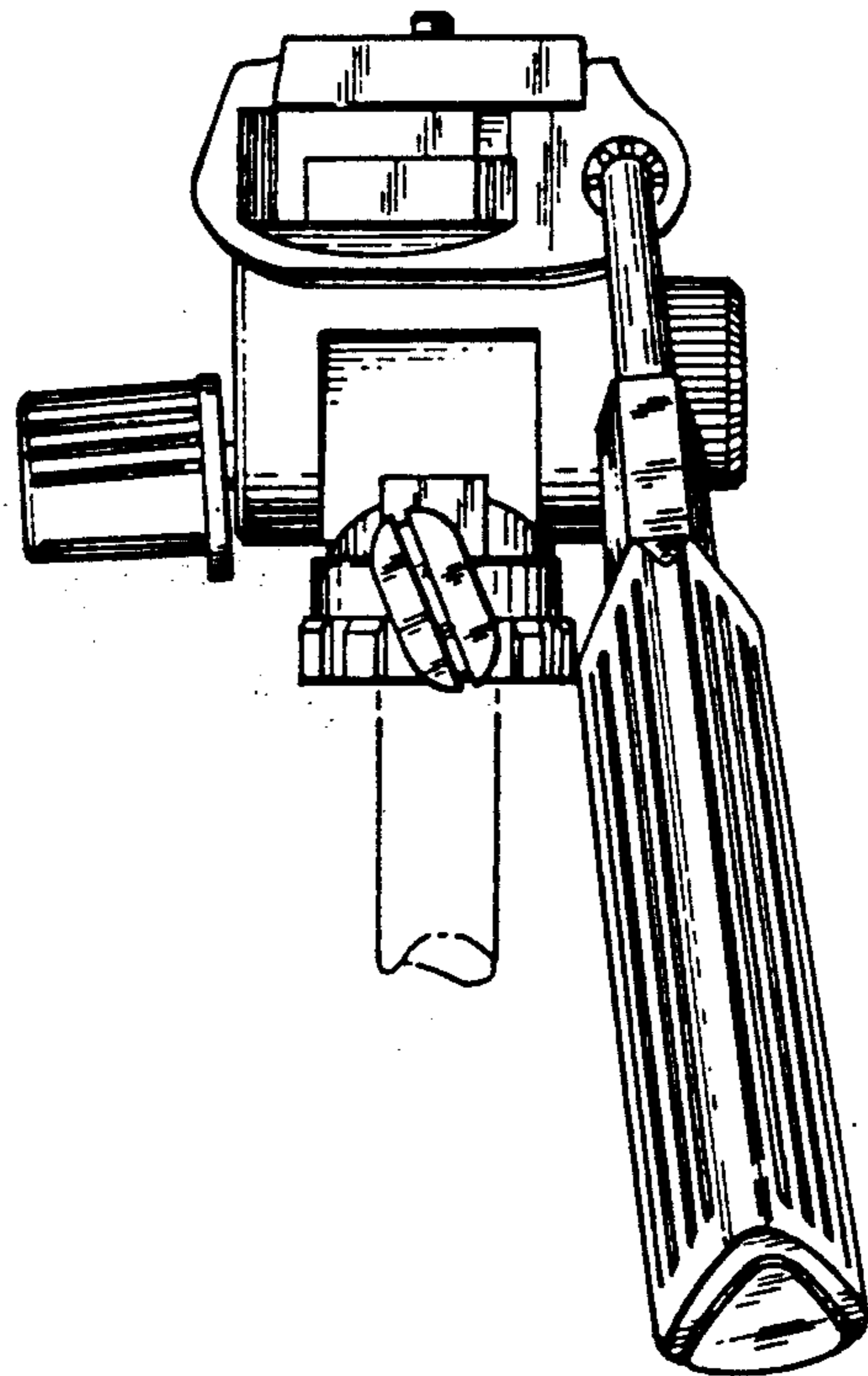
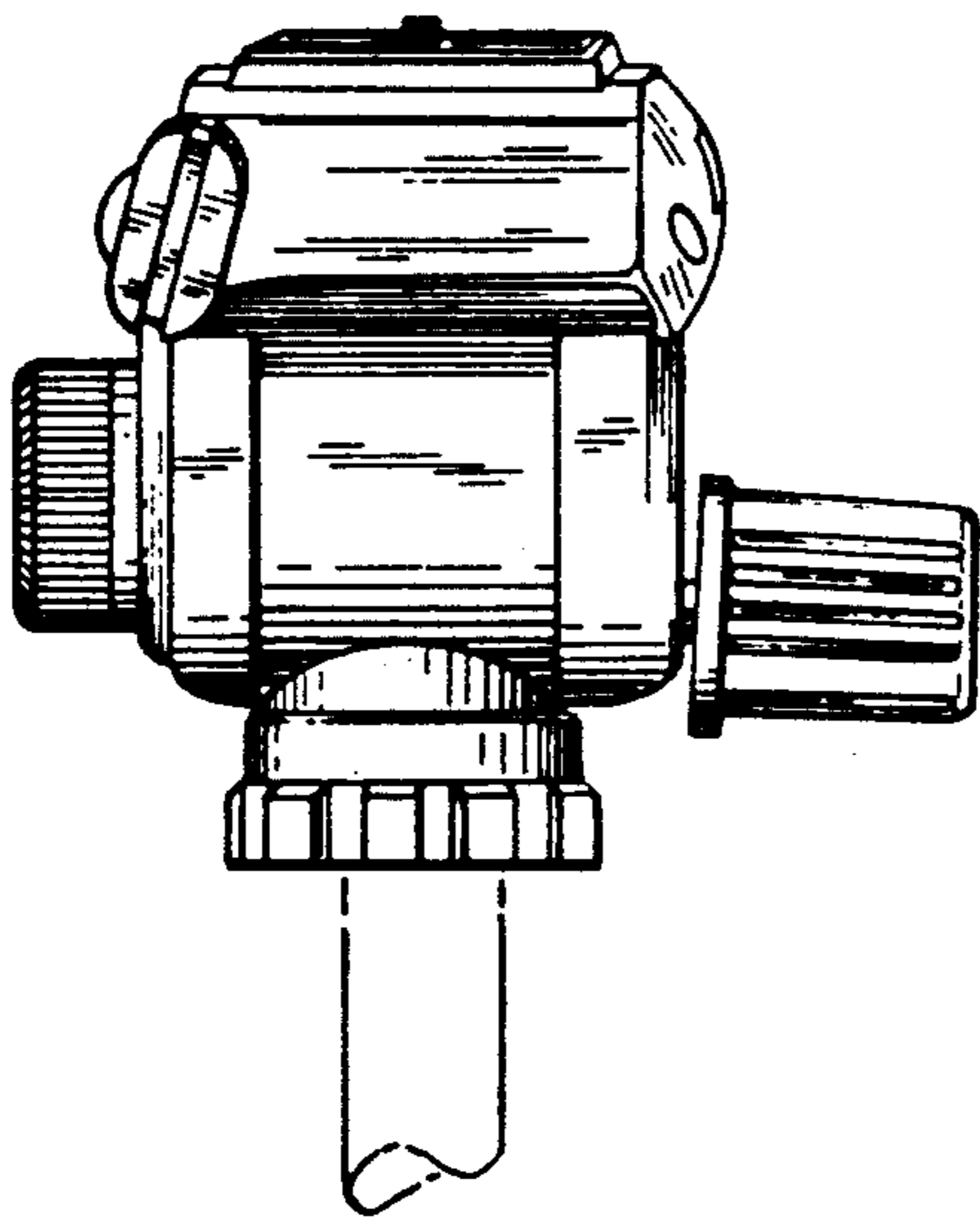


FIG. 4



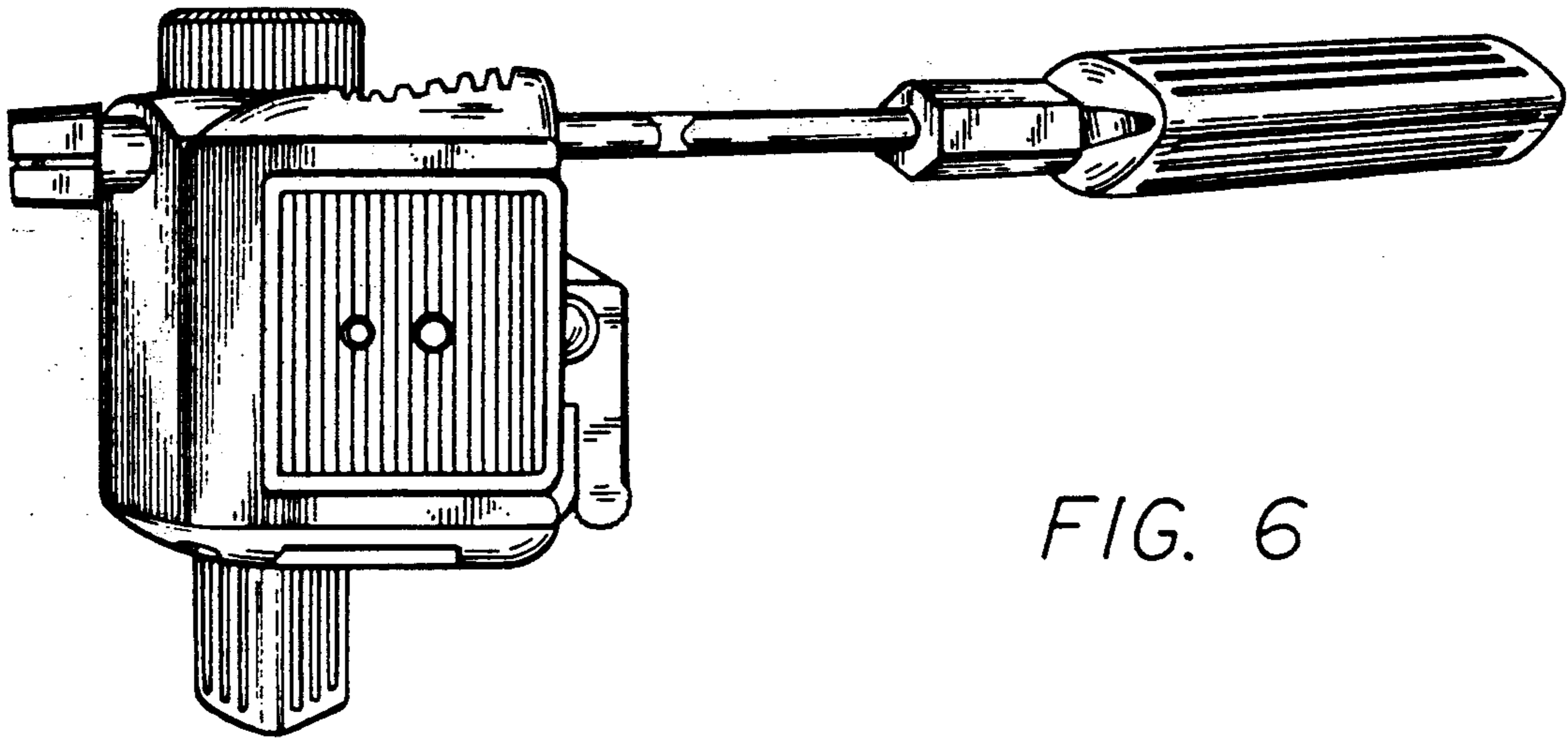


FIG. 6

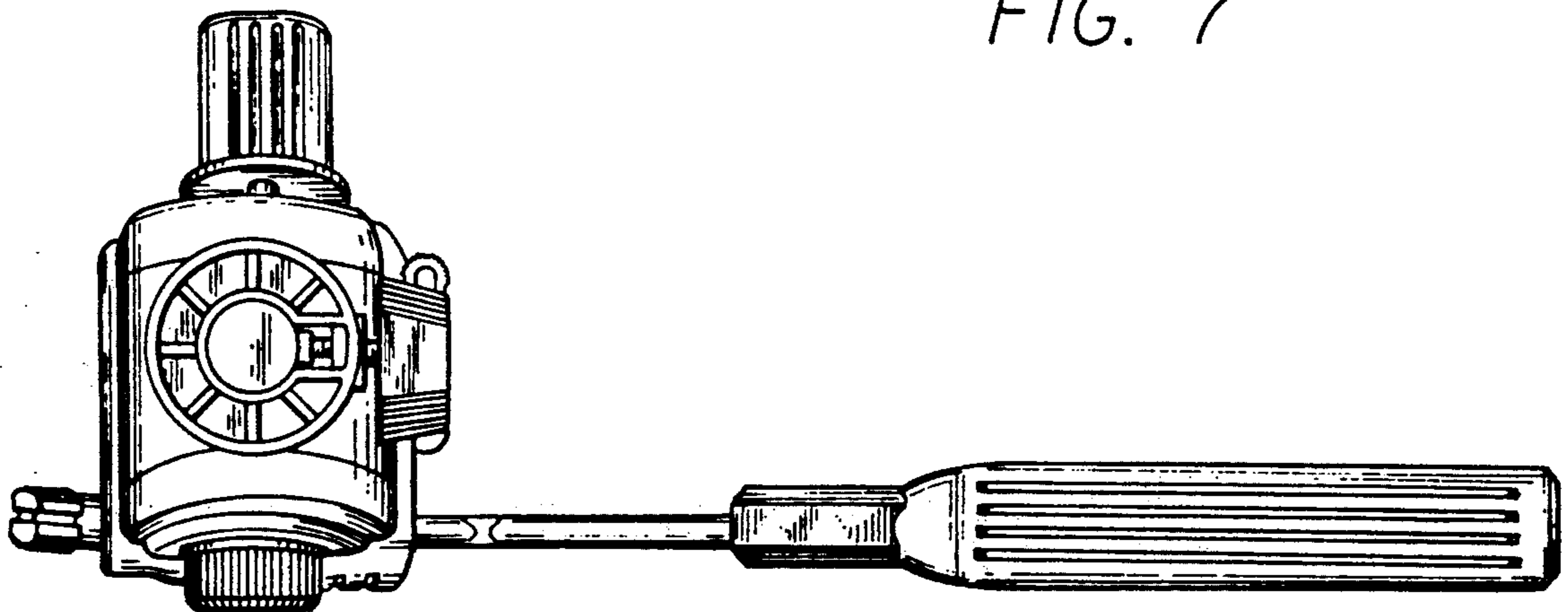


FIG. 7