



US00D343847S

United States Patent [19]

McBride et al.

[11] Patent Number: **Des. 343,847**

[45] Date of Patent: **** Feb. 1, 1994**

[54] **TELEFOTO CAMERA**

4,887,109 12/1989 Fujita et al. 354/195.12

[75] Inventors: **John K. McBride; James D. Gresko,**
both of Rochester, N.Y.

FOREIGN PATENT DOCUMENTS

53-17325 2/1978 Japan 354/126
1566453 4/1980 United Kingdom 354/187

[73] Assignee: **Eastman Kodak Company,**
Rochester, N.Y.

Primary Examiner—Bernard Ansher
Assistant Examiner—Adir Aronovich
Attorney, Agent, or Firm—Roger A. Fields

[**] Term: **14 Years**

[21] Appl. No.: **831,118**

[57] CLAIM

The ornamental design for a telefoto camera, as shown and described.

[22] Filed: **Feb. 4, 1992**

[52] U.S. Cl. **D16/218; D16/200**

[58] Field of Search 354/126, 127.11, 149.11,
354/195.1, 195.12, 202, 288; D16/200-206,
208, 209, 210, 211, 216-218; D21/110

DESCRIPTION

FIG. 1 is a front perspective view of a telefoto camera showing our new design;

FIG. 2 is a front elevation view thereof;

FIG. 3 is a rear elevation view thereof;

FIG. 4 is a top plan view thereof;

FIG. 5 is a bottom plan view thereof;

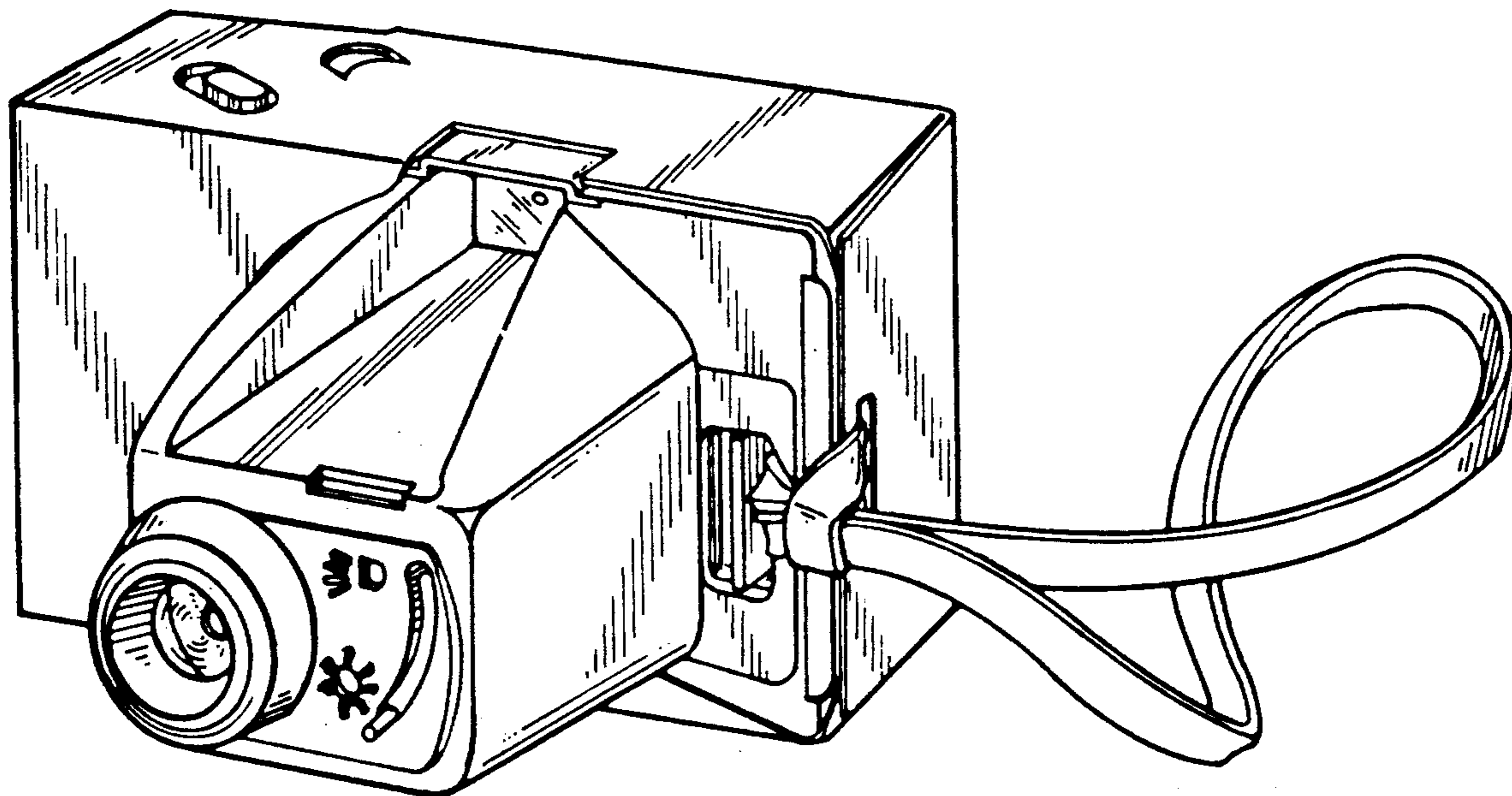
FIG. 6 is a right-side elevation view thereof; and,

FIG. 7 is a left-side elevation view thereof.

[56] References Cited

U.S. PATENT DOCUMENTS

D. 244,685 6/1977 Hansen et al. D16/211
D. 294,606 3/1988 Ryland D16/218
4,093,956 6/1978 Goto 354/288



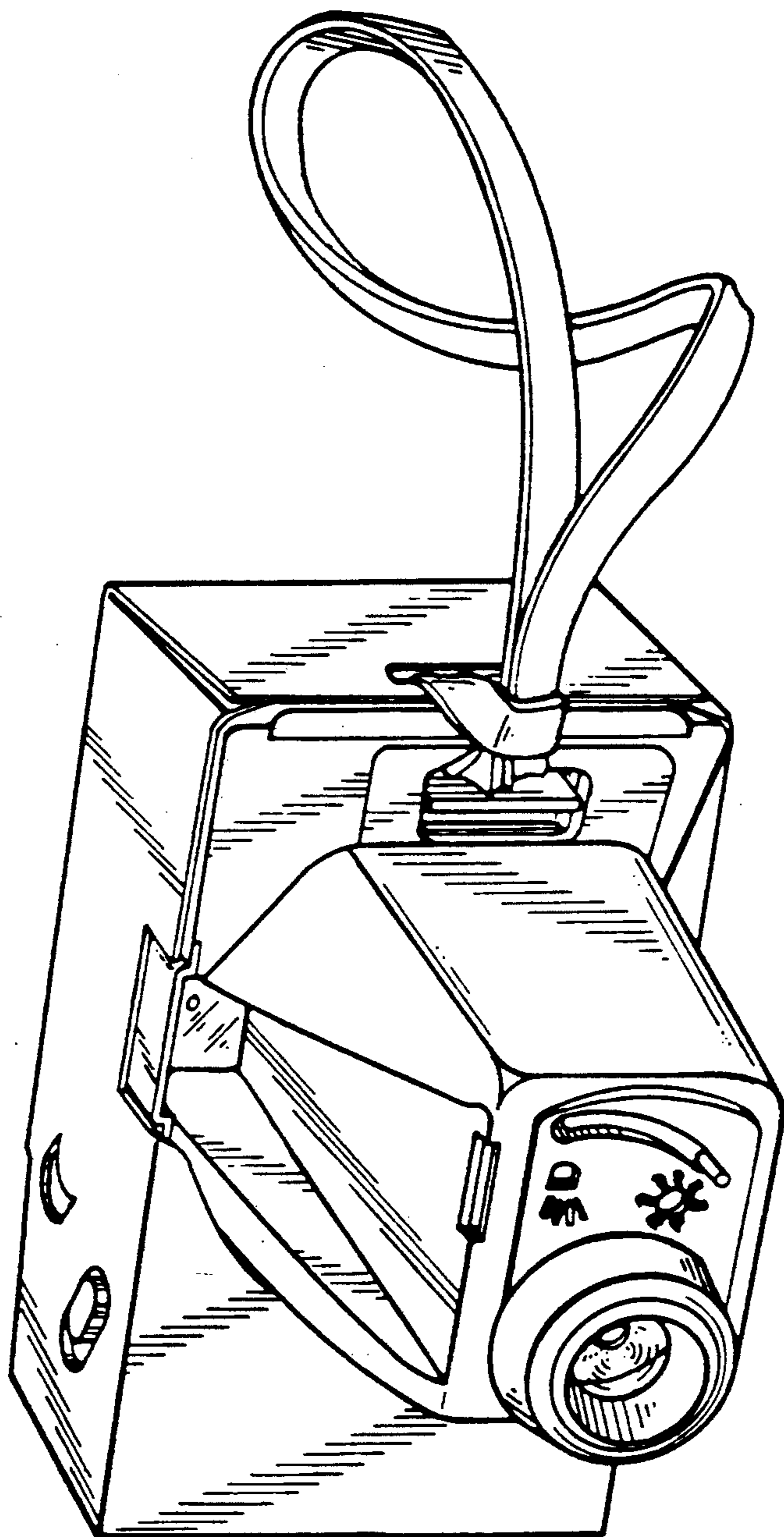


FIG. 1

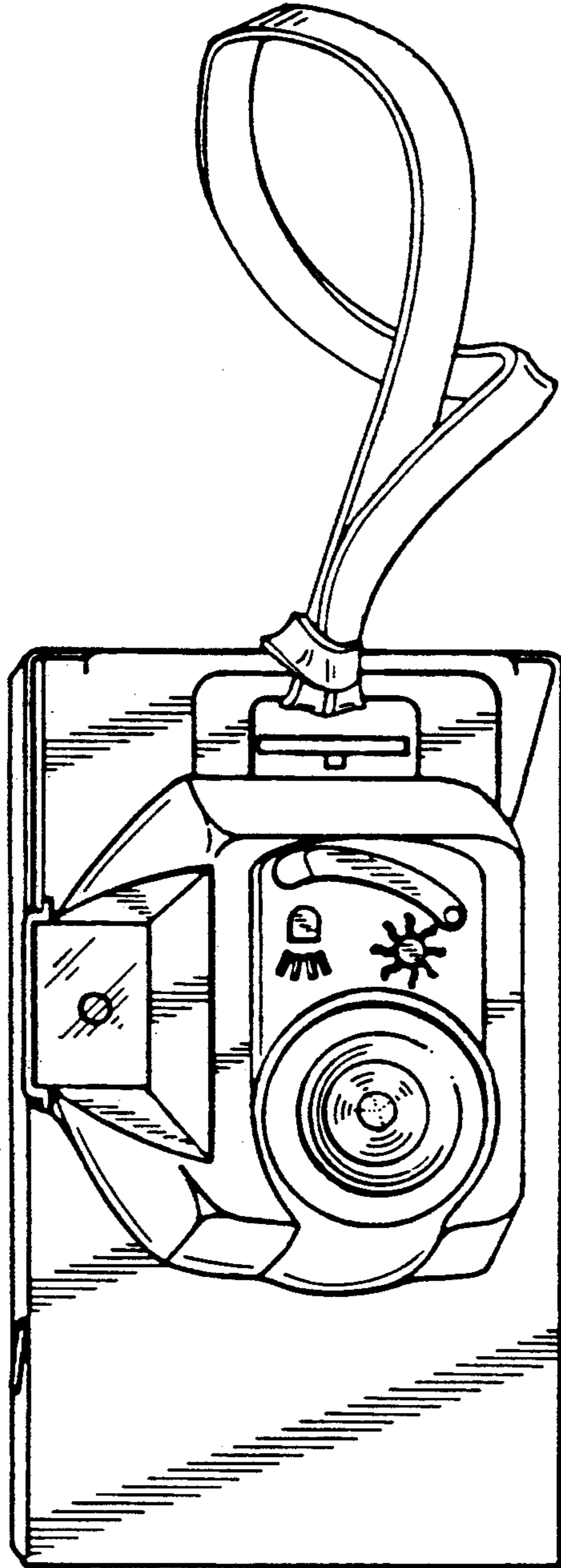


FIG. 2

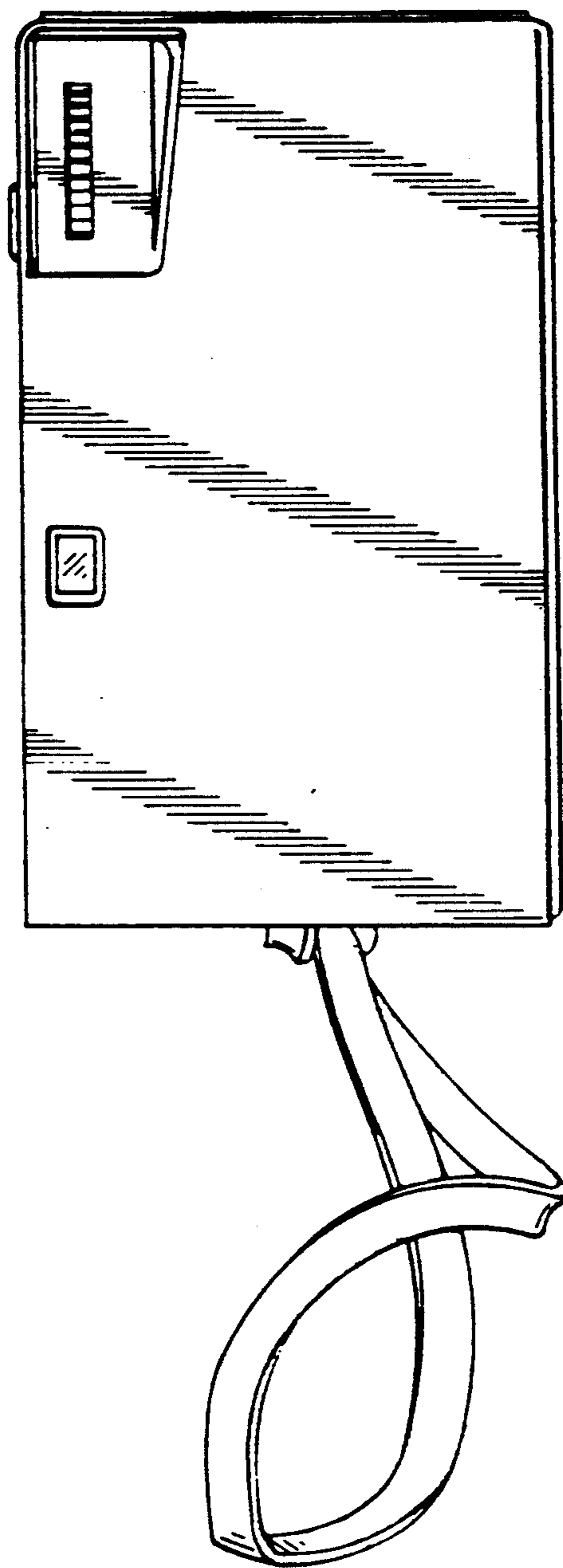


FIG. 3

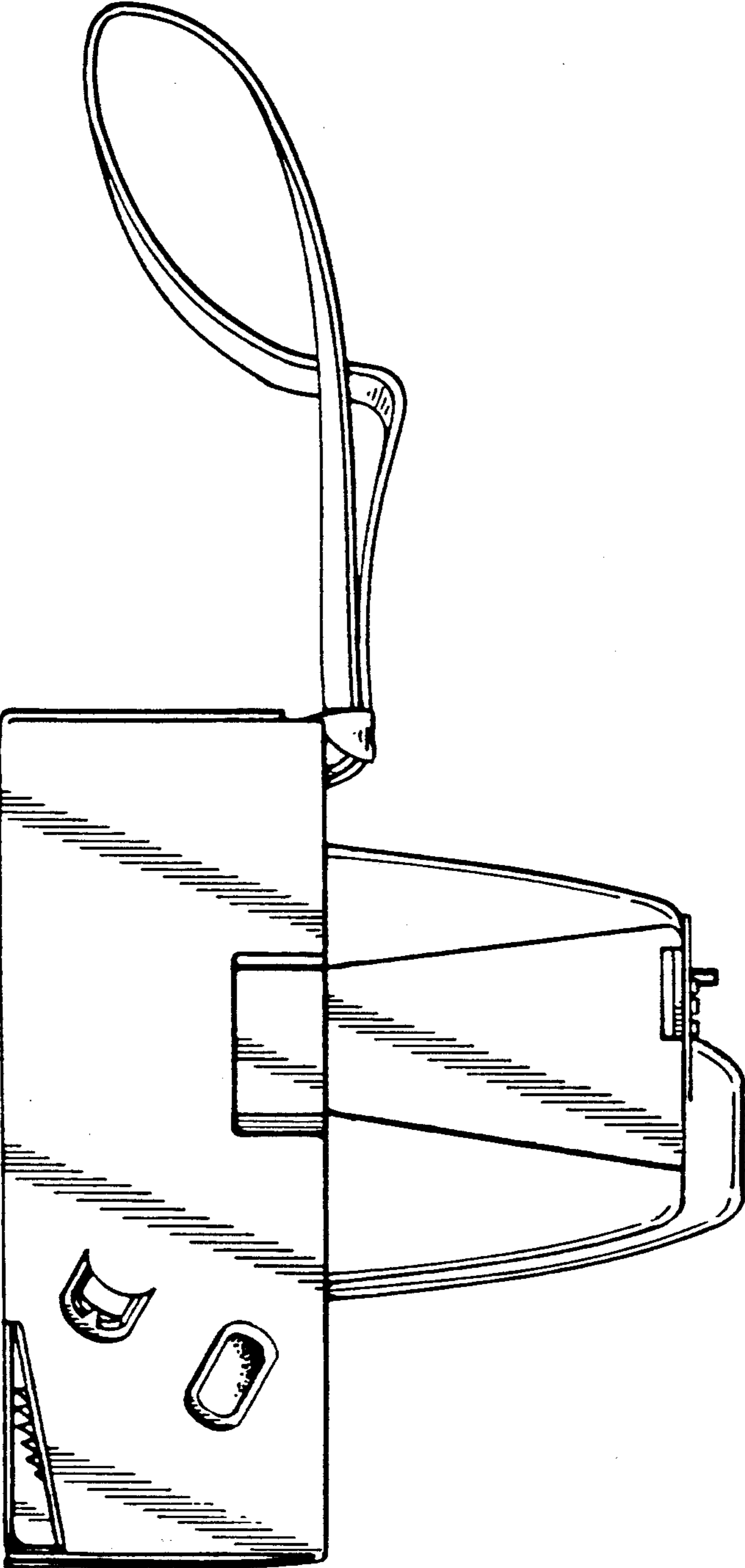


FIG. 4

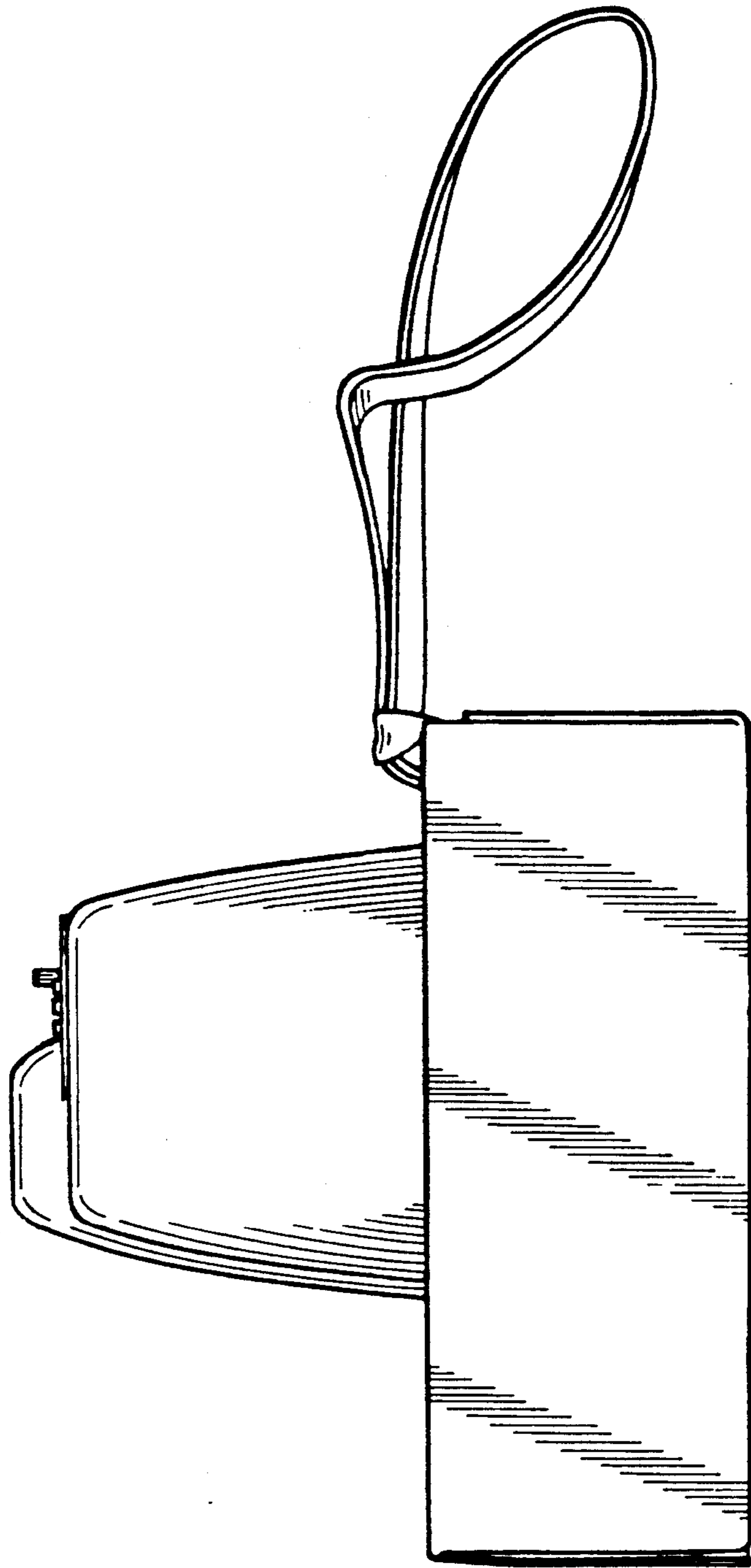


FIG. 5

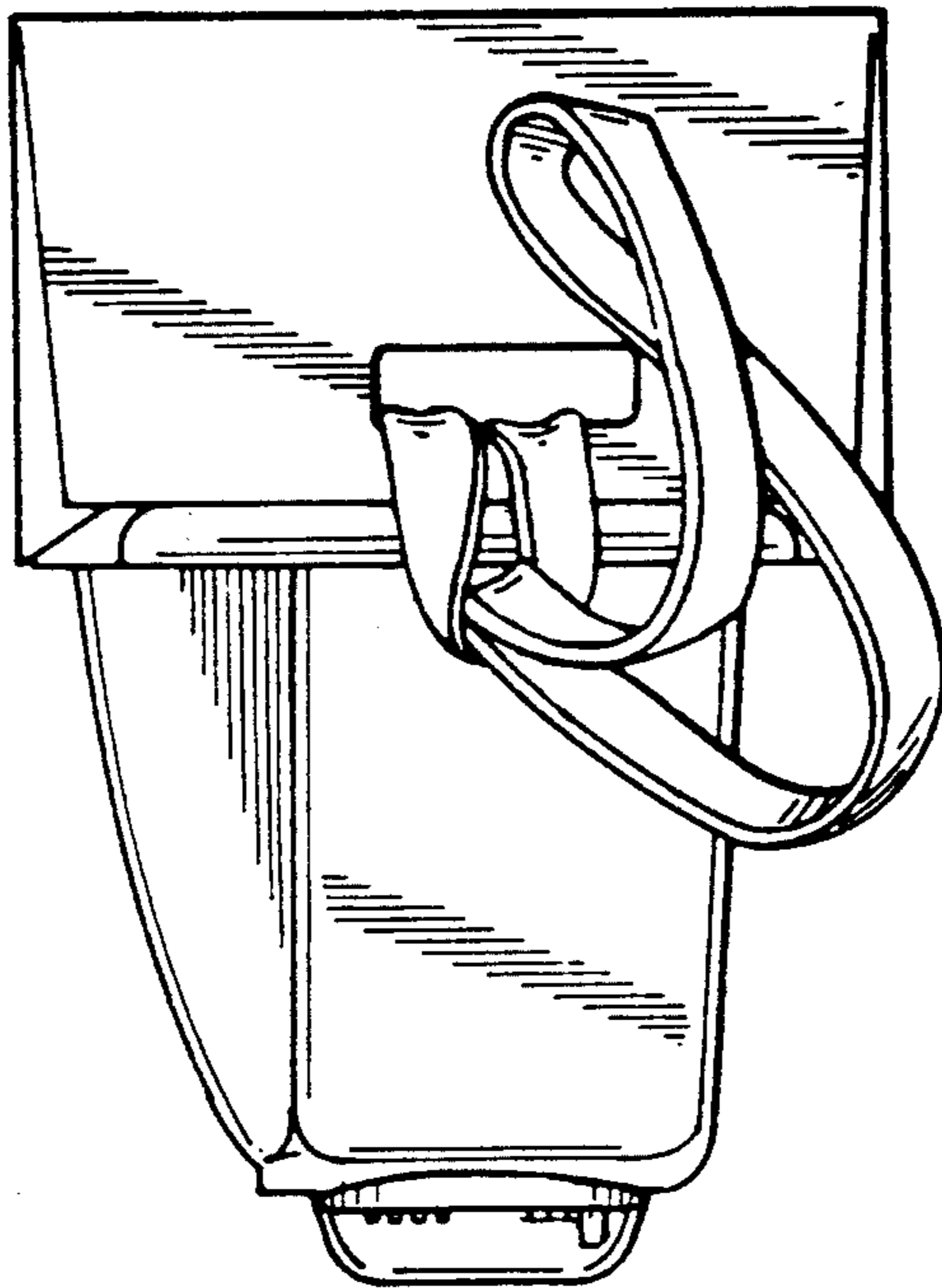


FIG. 6

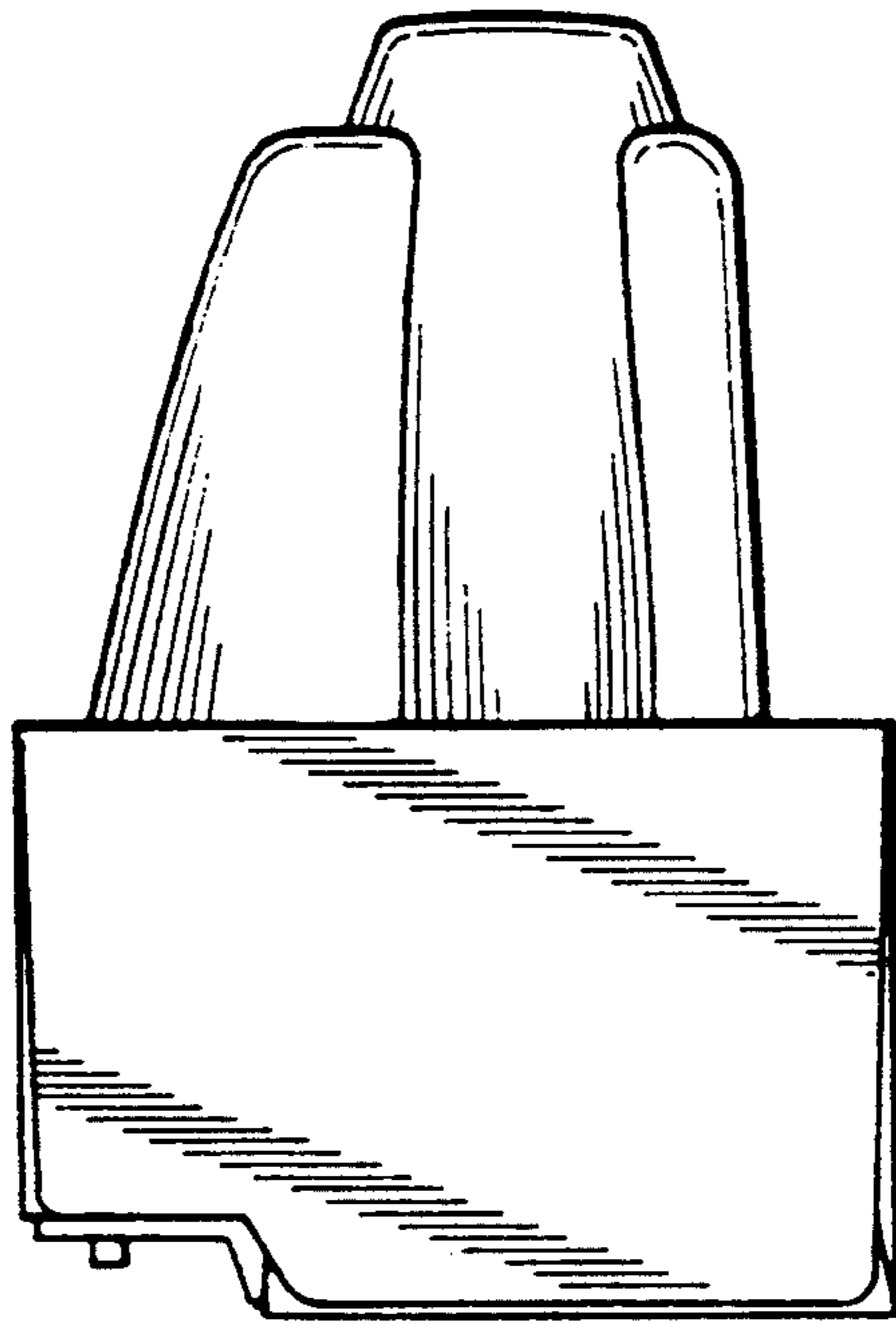


FIG. 7