



US00D343846S

United States Patent [19]

[11] Patent Number: **Des. 343,846**

Balolia et al.

[45] Date of Patent: **** Feb. 1, 1994**

[54] ROUTER TABLE

[56] References Cited

[75] Inventors: Shiraz H. Balolia; Steven A. Erbach, both of Bellingham, Wash.

U.S. PATENT DOCUMENTS

4,445,553 5/1984 Hanyzewski et al. D15/127 X
5,025,841 6/1991 Tohen 144/286 R X

[73] Assignee: Woodstock International, Inc., Bellingham, Wash.

Primary Examiner—Nelson C. Holtje
Assistant Examiner—Antoine D. Davis
Attorney, Agent, or Firm—Christensen, O'Connor, Johnson & Kindness

[**] Term: 14 Years

[57] CLAIM

The ornamental design for a router table, as shown and described.

[21] Appl. No.: 855,336

DESCRIPTION

[22] Filed: Mar. 18, 1992

FIG. 1 is a top isometric view of a router table showing our new design;

[52] U.S. Cl. D15/127

FIG. 2 is a front elevational view thereof;

[58] Field of Search 144/1 F, 134 R, 134 D,

FIG. 3 is a back elevational view thereof;

144/137, 144 R, 145 A, 145 R, 286, 371, 372;

FIG. 4 is a right side elevational view thereof;

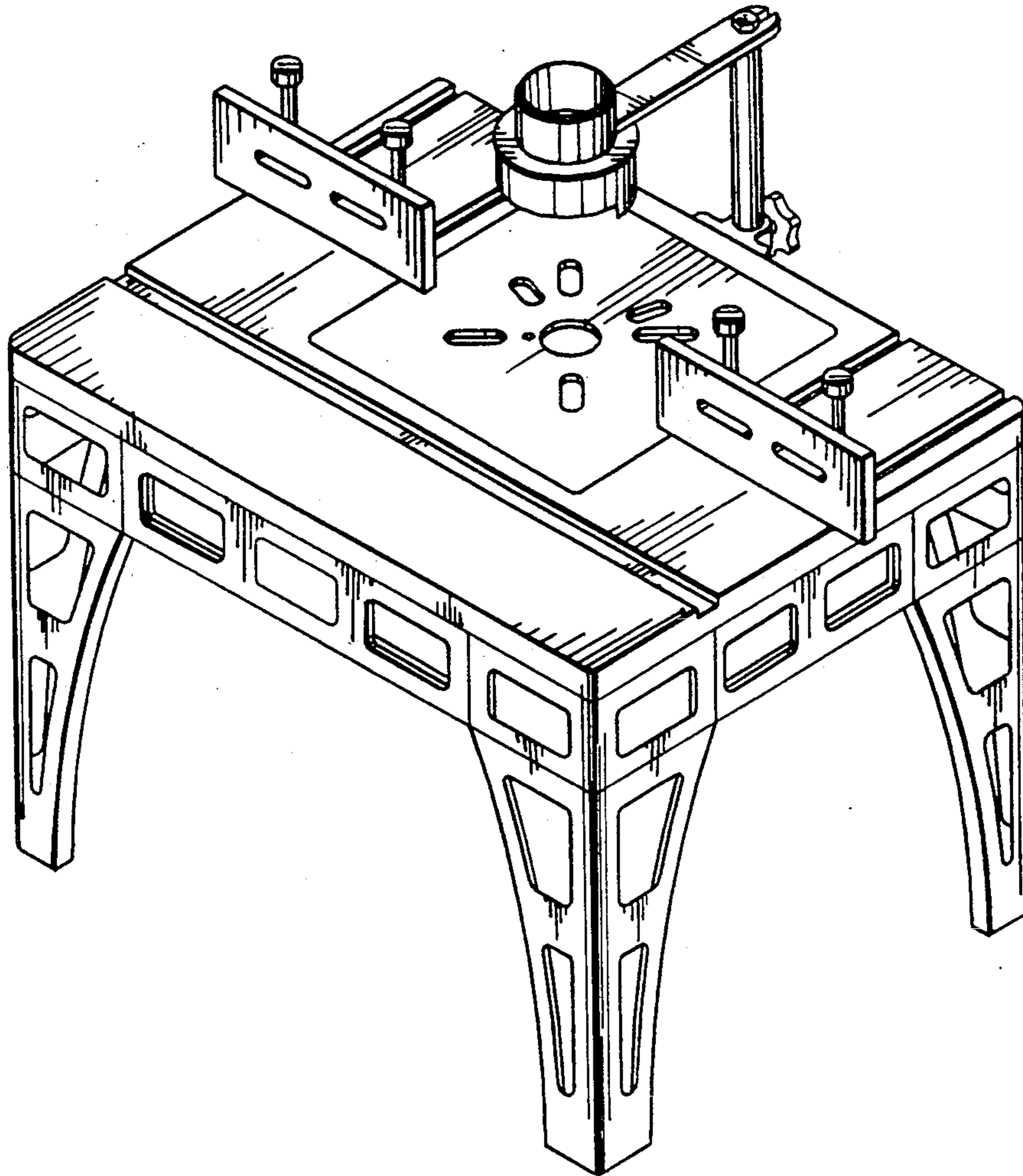
269/25, 32, 34, 89; 409/125, 130, 131, 182, 229;

FIG. 5 is a left side elevational view thereof;

D15/127

FIG. 6 is a top plan view thereof; and,

FIG. 7 is a bottom plan view thereof.



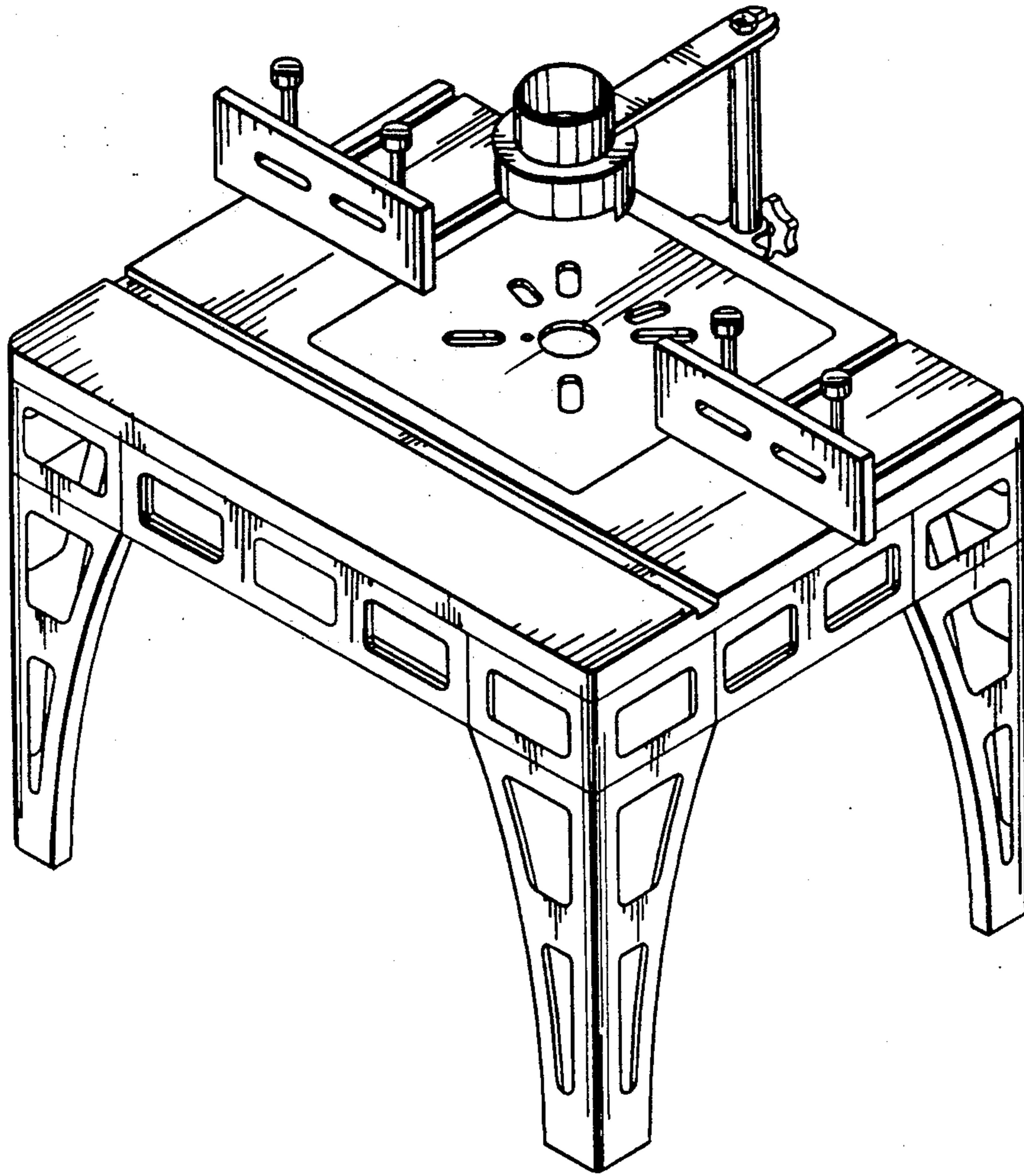


Fig. 1.

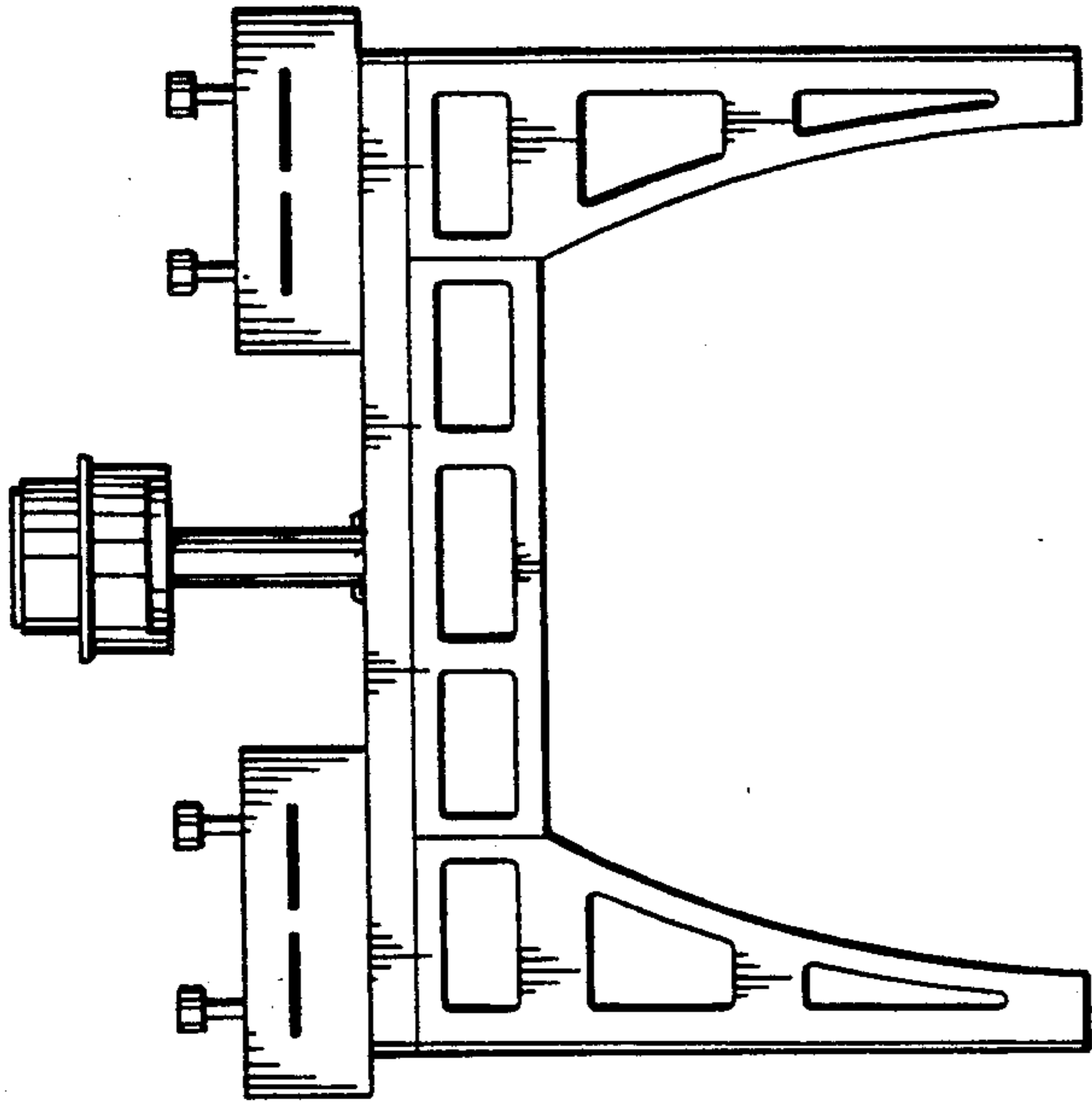


Fig. 2.

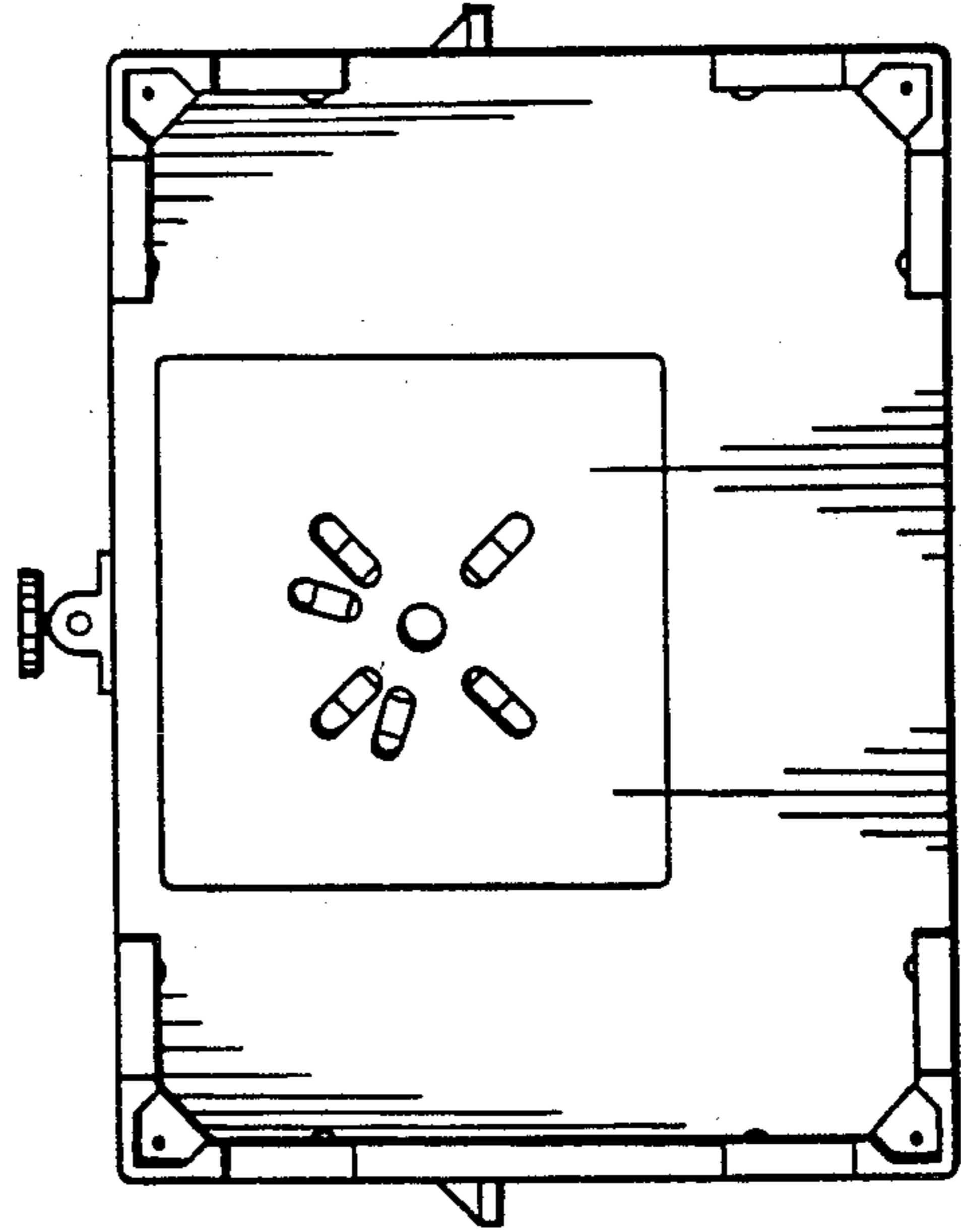


Fig. 6.

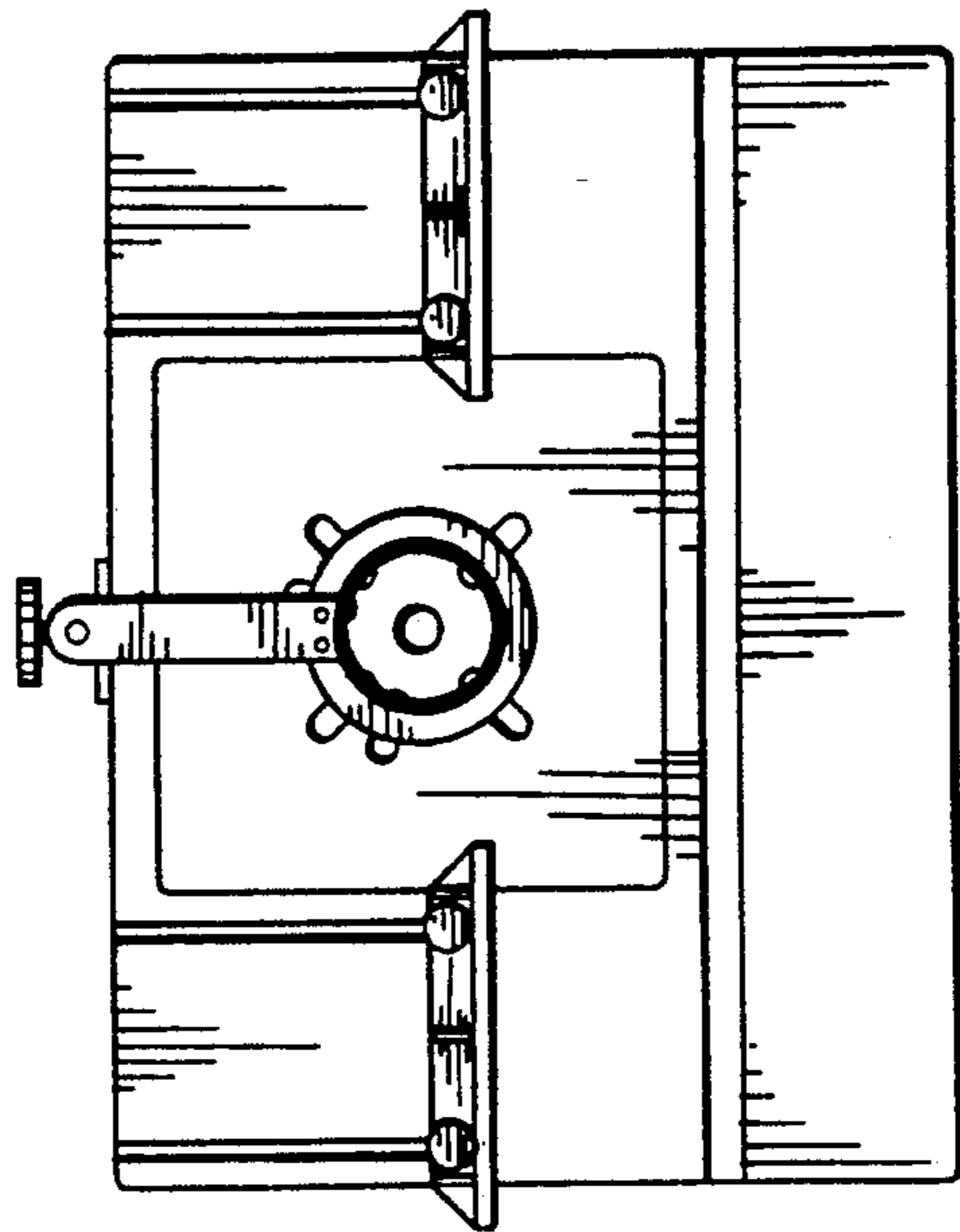


Fig. 7.

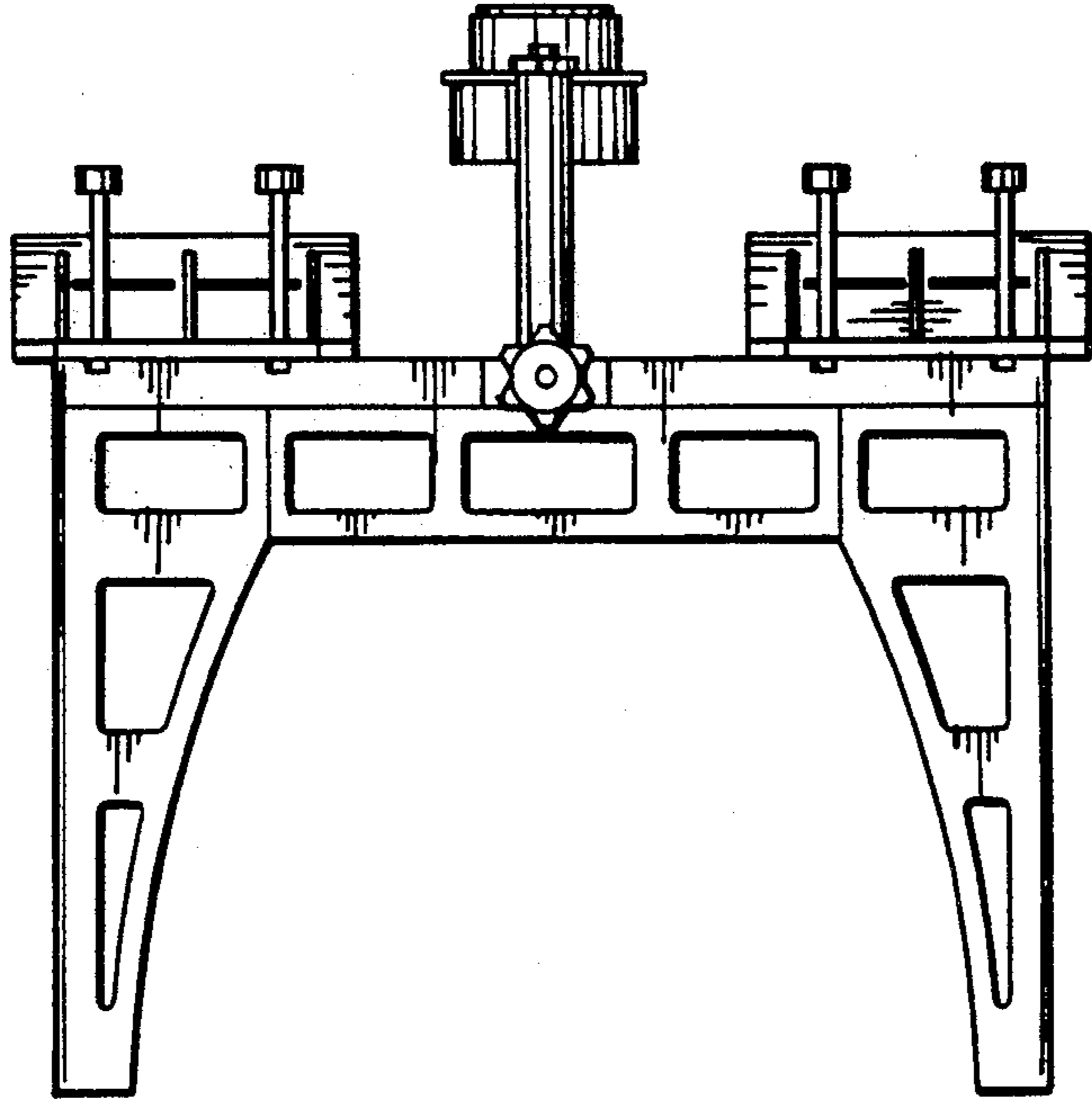


Fig. 3.

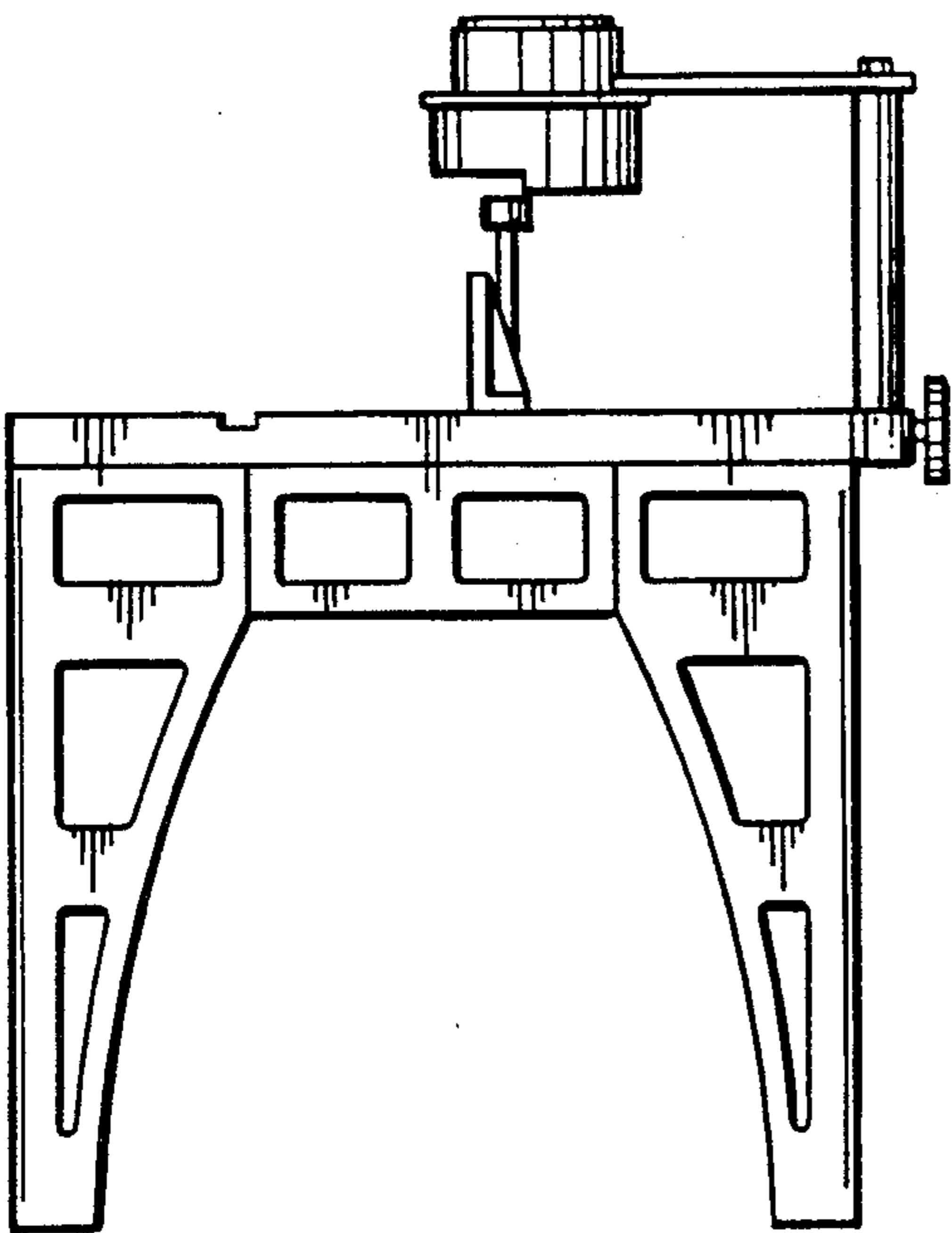


Fig. 4.

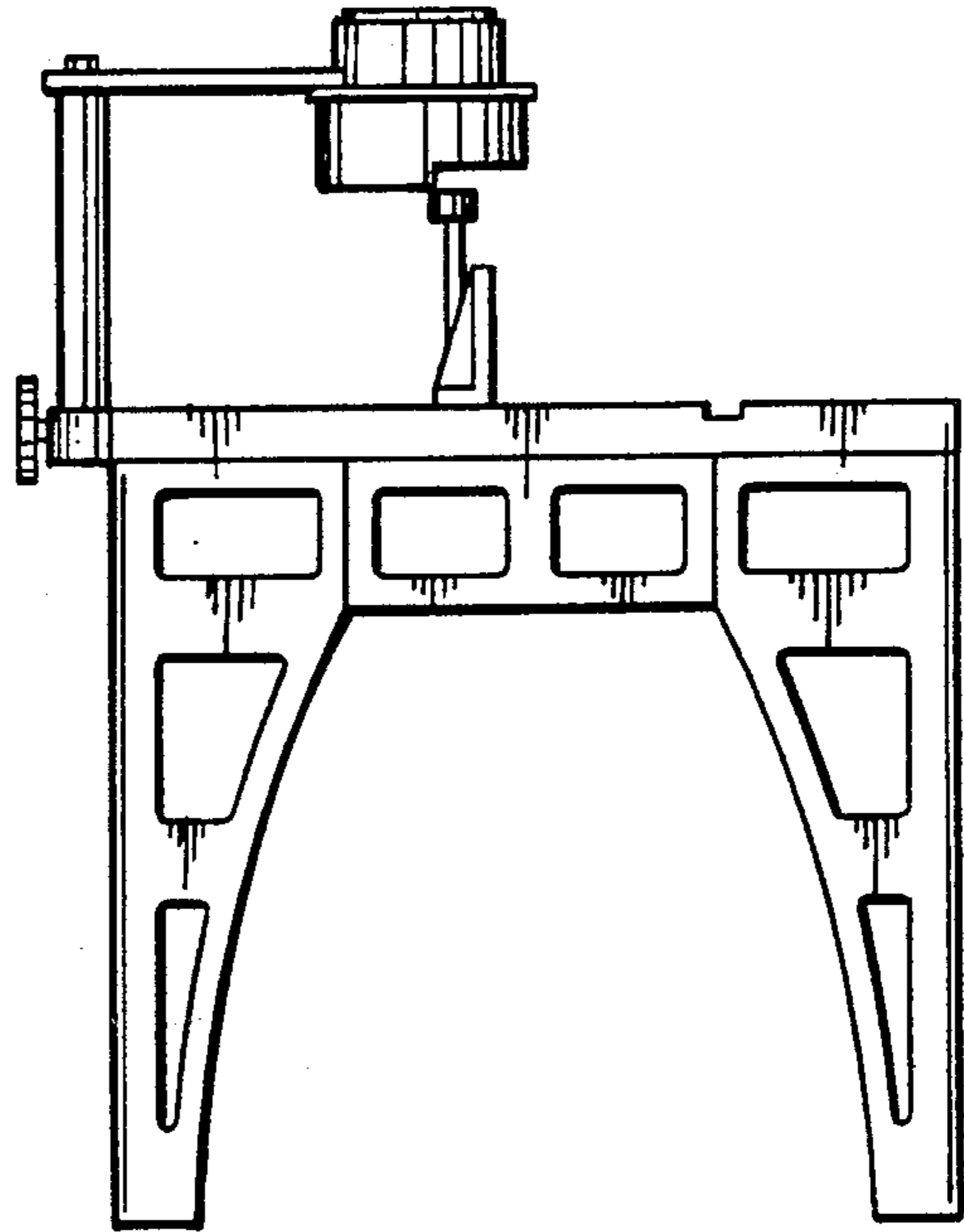


Fig. 5.