



US00D343843S

United States Patent [19] Mikado

[11] Patent Number: **Des. 343,843**
[45] Date of Patent: **** Feb. 1, 1994**

[54] **INTERNAL COMBUSTION ENGINE**
[75] Inventor: **Yoshio Mikado, Niiza, Japan**
[73] Assignee: **Honda Giken Kogyo K.K., Tokyo, Japan**
[**] Term: **14 Years**
[21] Appl. No.: **775,409**
[22] Filed: **Oct. 15, 1991**
[30] **Foreign Application Priority Data**
Apr. 15, 1991 [JP] Japan 3-10684
[52] U.S. Cl. **D15/1**
[58] Field of Search 123/156 BA, 56, 50 A,
123/50 B; 51 R, 51 A, 56 A, 65 R, 70 R, 50 R;
D15/1, 3, 9

D. 309,458 7/1990 Johnson et al. D15/1
D. 310,373 9/1990 Ishii et al. D15/1
D. 330,897 11/1992 Carlson et al. D15/1

Primary Examiner—A. Hugo Word
Assistant Examiner—R. Seifert
Attorney, Agent, or Firm—Schwartz & Weinrieb

[57] CLAIM

The ornamental design for an internal combustion engine, as shown and described.

DESCRIPTION

FIG. 1 is a front elevational view of an internal combustion engine showing my new design;
FIG. 2 is a rear elevational view thereof;
FIG. 3 is a top plan view thereof;
FIG. 4 is a bottom plan view thereof;
FIG. 5 is a side elevational view thereof;
FIG. 6 is a side elevational view thereof, of the opposite side of FIG. 5;
FIG. 7 is a rear perspective view thereof; and,
FIG. 8 is a front perspective view thereof.

[56] **References Cited**
U.S. PATENT DOCUMENTS
D. 287,128 12/1986 Yamamoto D15/1
D. 308,871 6/1990 Harkness et al. D15/1

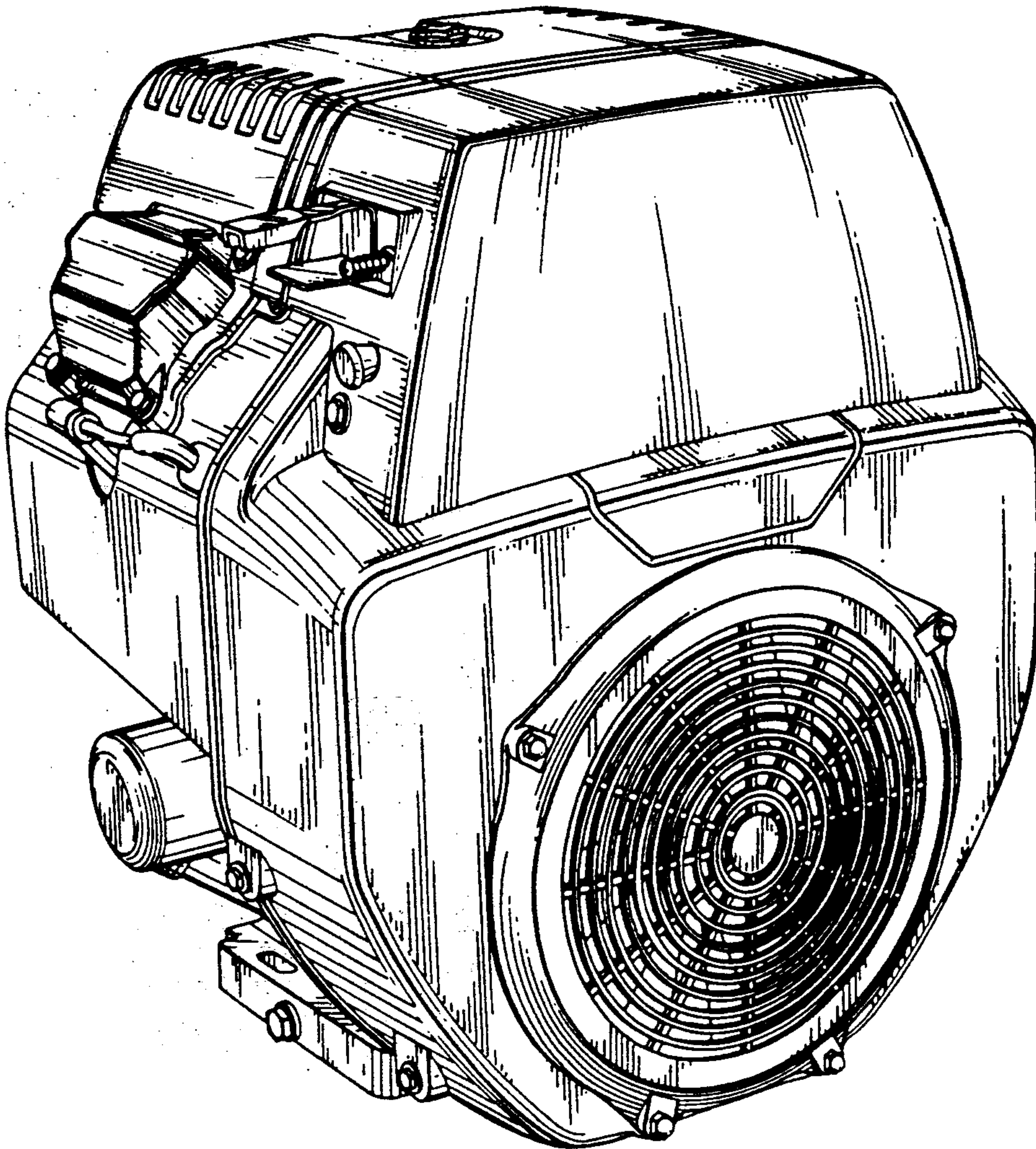


FIG. 1

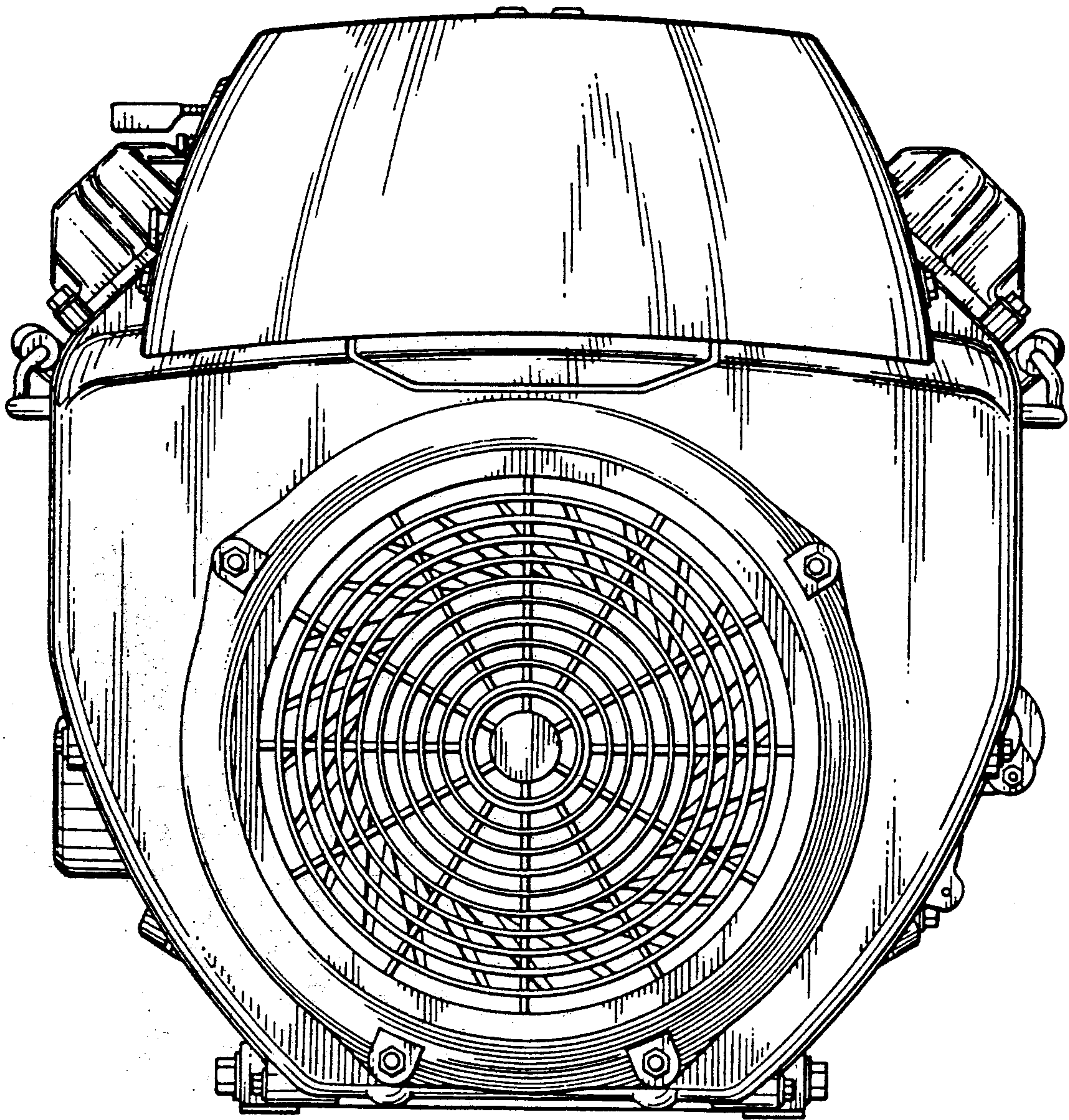


FIG. 2

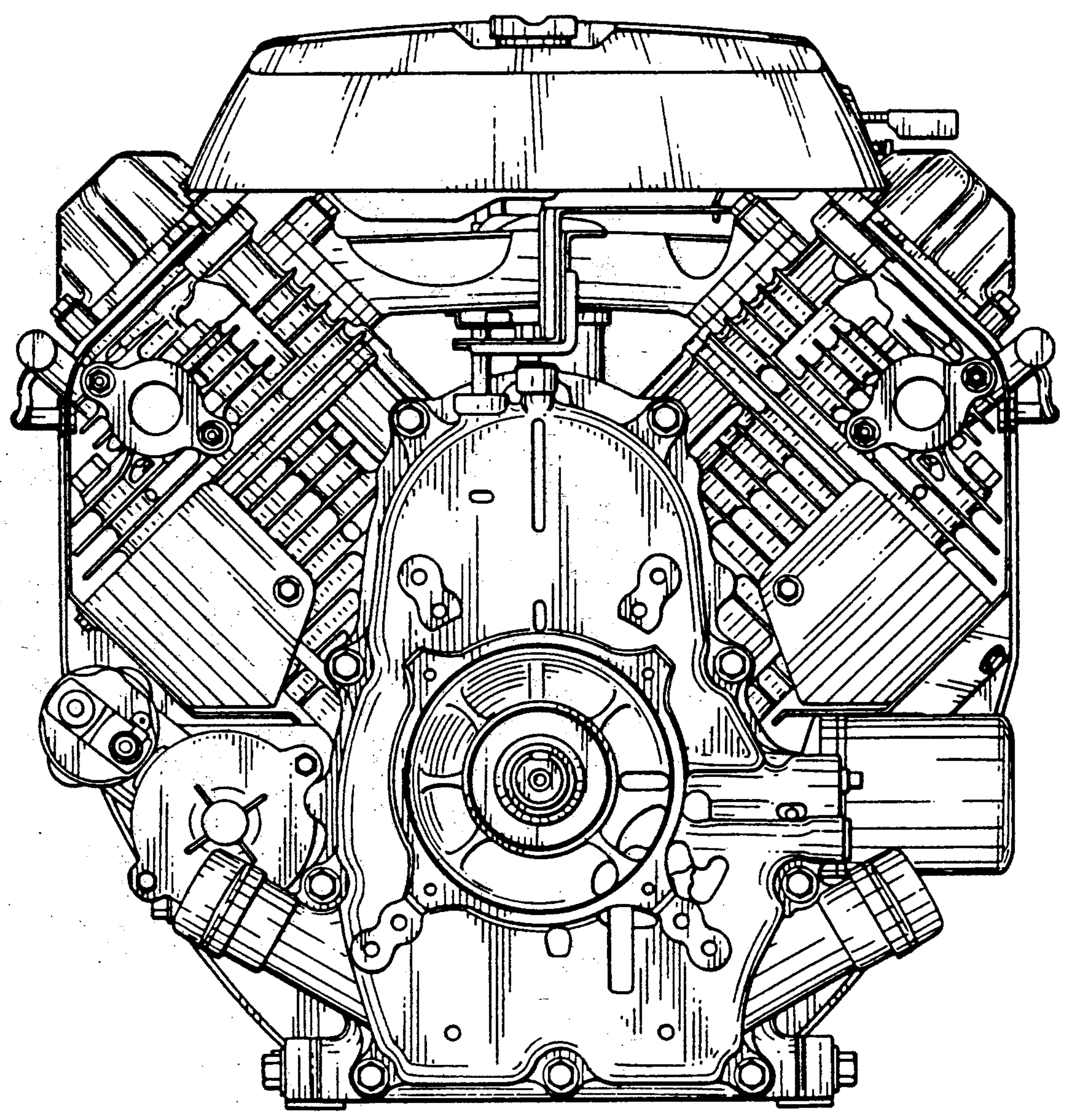


FIG. 3

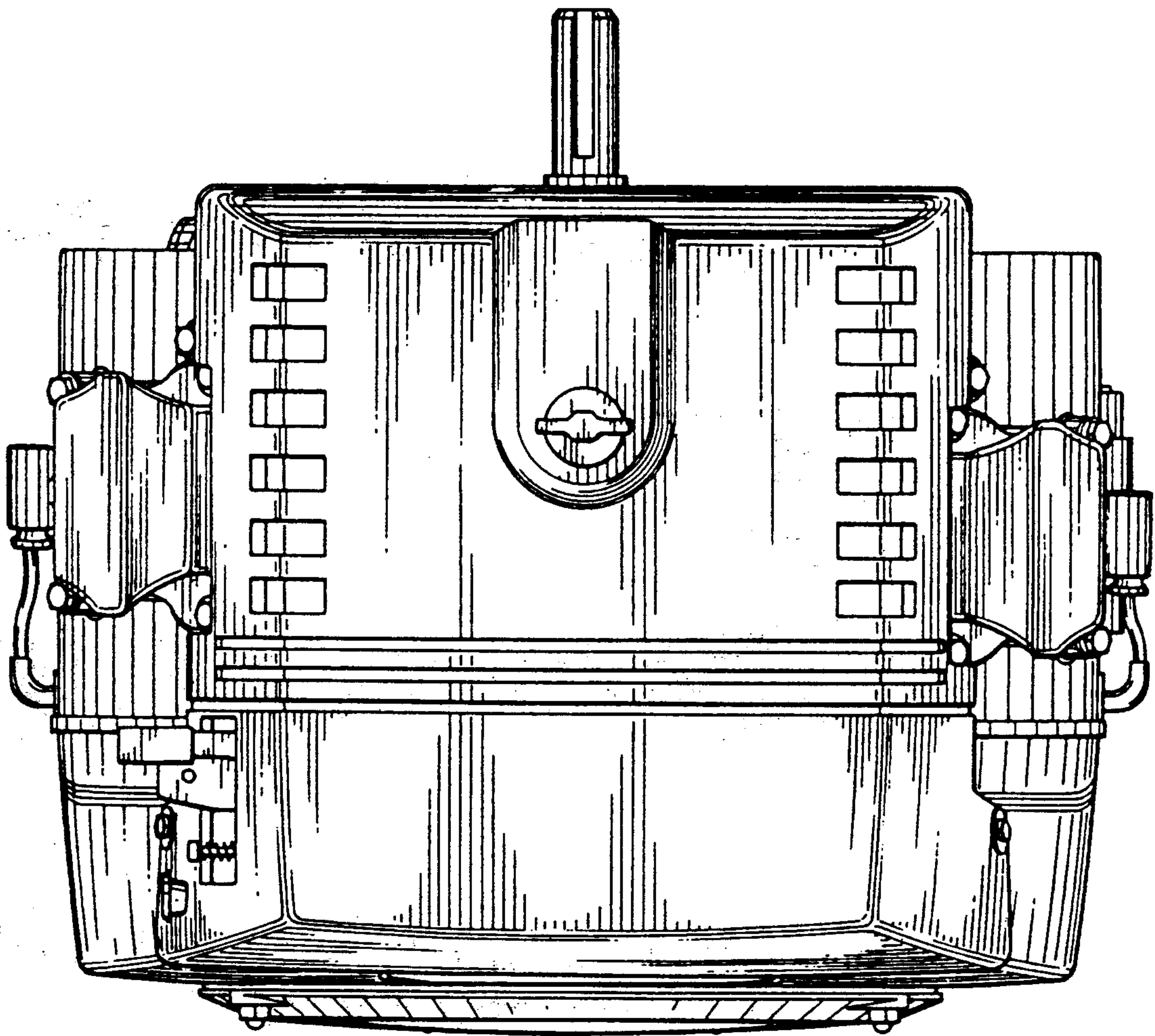
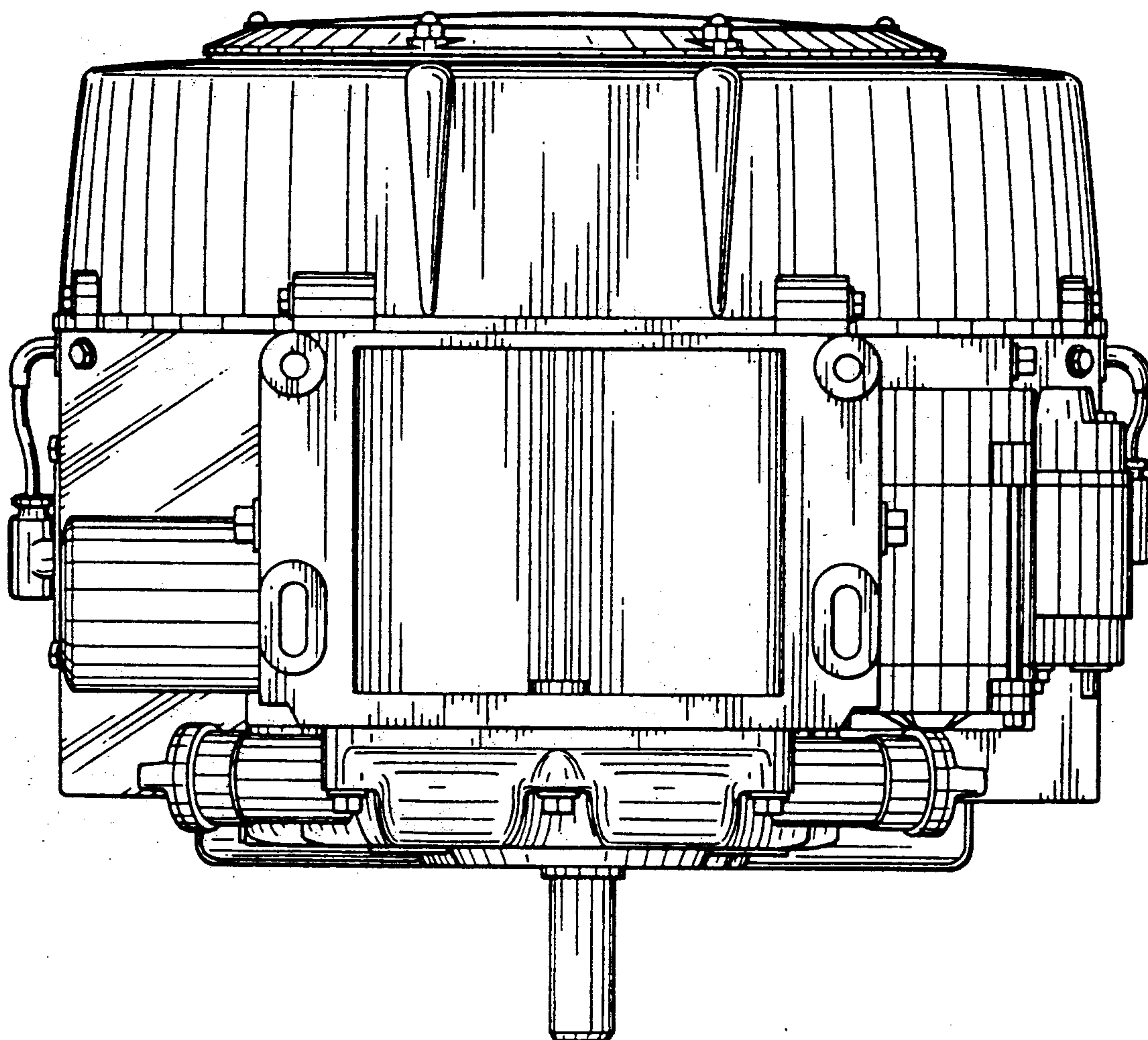


FIG. 4



F I G . 5

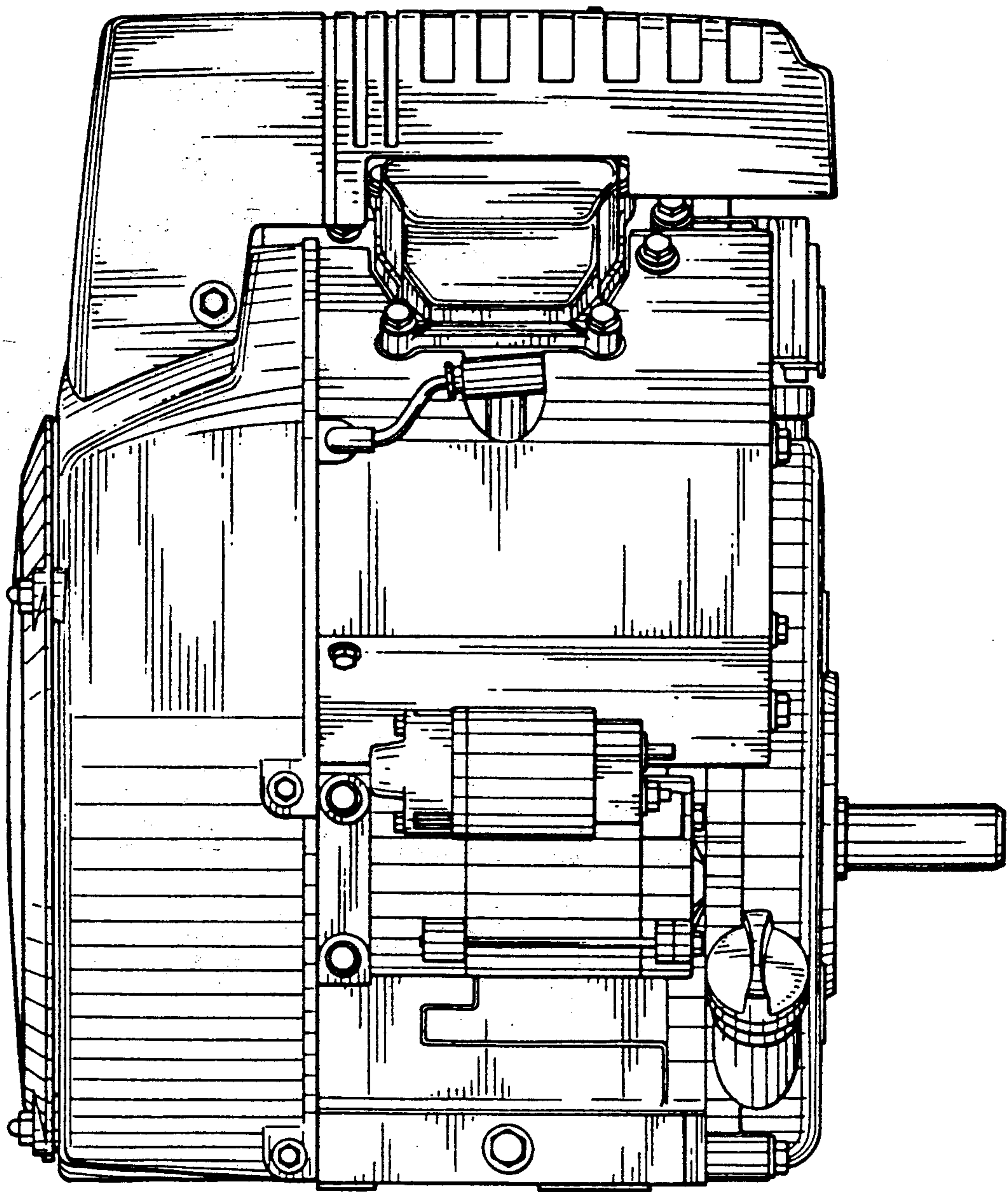
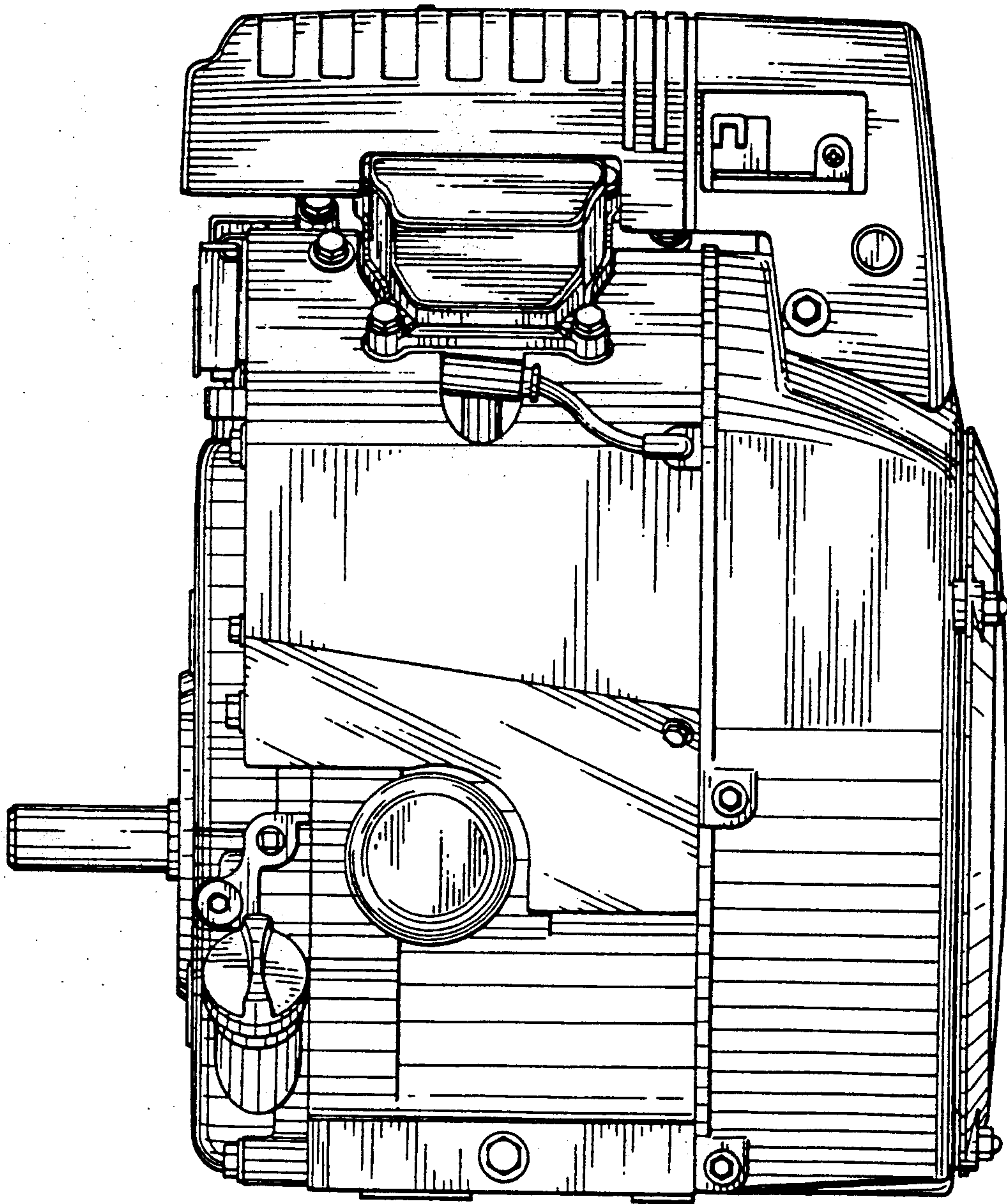


FIG. 6



F I G . 7

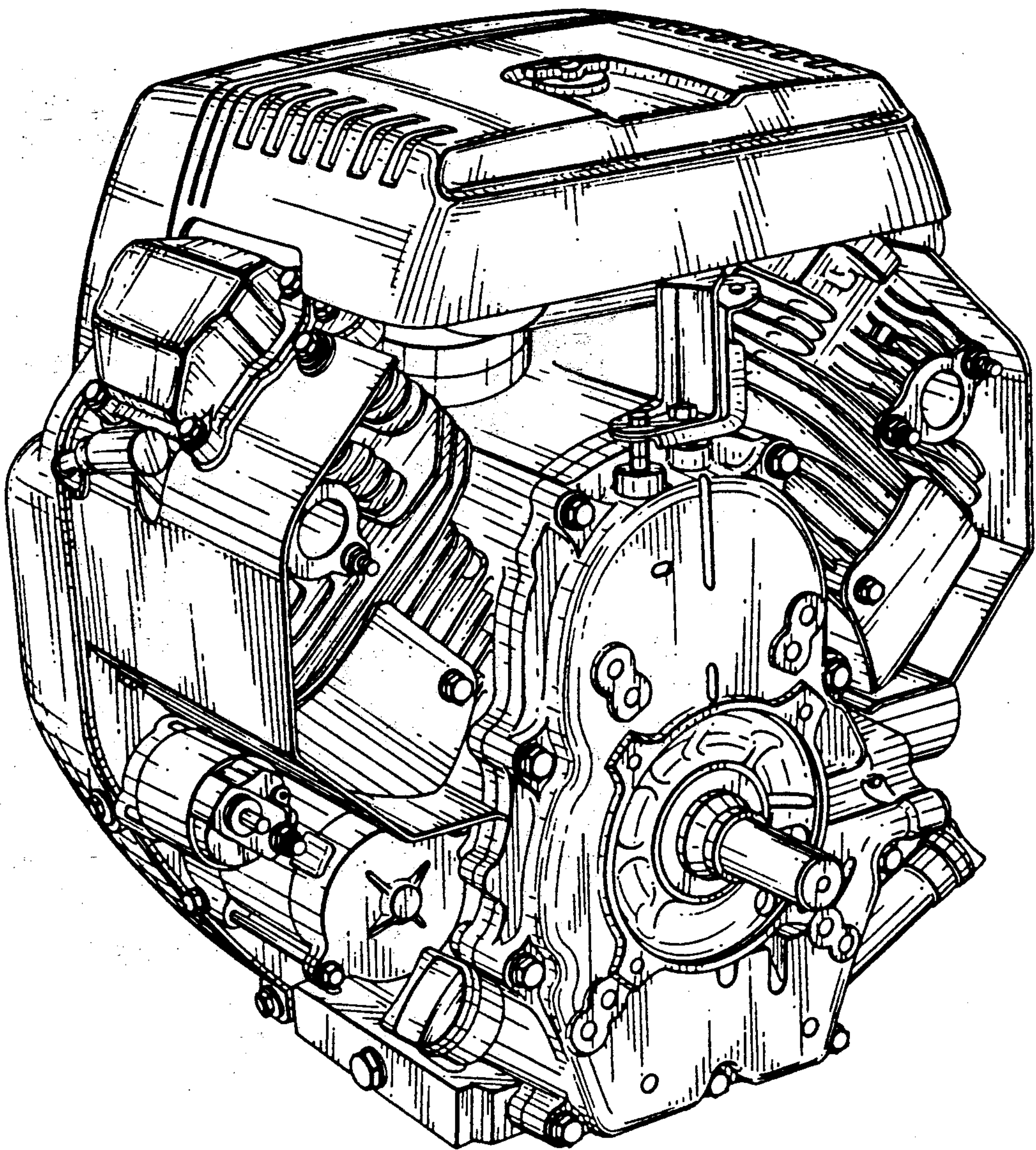


FIG. 8

