



US00D343840S

# United States Patent [19]

[11] Patent Number: **Des. 343,840**

**Watanabe**

[45] Date of Patent: **\*\* Feb. 1, 1994**

[54] **AUTOMOBILE ROOF SIDE ANTENNA MOUNT**

3,493,203	2/1970	Gualano	248/539
4,114,160	9/1978	Verini	343/715
5,020,765	6/1991	Evans et al.	343/715 X

[75] Inventor: **Hironobu Watanabe, Itabashi, Japan**

*Primary Examiner*—Bernard Ansher  
*Assistant Examiner*—Richelle Shelton  
*Attorney, Agent, or Firm*—Wenderoth, Lind & Ponack

[73] Assignee: **Dai-Ichi Denpa Kogyo Co., Ltd., Tokyo, Japan**

[\*\*] Term: **14 Years**

[57] **CLAIM**

[21] Appl. No.: **819,001**

The ornamental design for a automobile roof side antenna mount, as shown and described.

[22] Filed: **Jan. 10, 1992**

**DESCRIPTION**

[30] **Foreign Application Priority Data**

FIG. 1 is a perspective view of a automobile roof side antenna mount showing my new design, taken from the top, front and right side of the stand;  
FIG. 2 is a perspective view of the stand taken from the bottom, rear and left side of the stand;  
FIG. 3 is a front elevational view thereof;  
FIG. 4 is a rear elevational view thereof;  
FIG. 5 is a top plan view thereof;  
FIG. 6 is a bottom plan view thereof;  
FIG. 7 is a left side elevational view thereof; and,  
FIG. 8 is a right side elevational view thereof.

Aug. 14, 1991 [JP] Japan ..... 3-24611

[52] U.S. Cl. .... **D14/238**

[58] Field of Search ..... D8/373; 343/715, 713, 343/892; 248/539; D14/238

[56] **References Cited**

**U.S. PATENT DOCUMENTS**

D. 272,537	2/1984	Spycher	D14/238
3,056,570	10/1962	Slavin	343/715

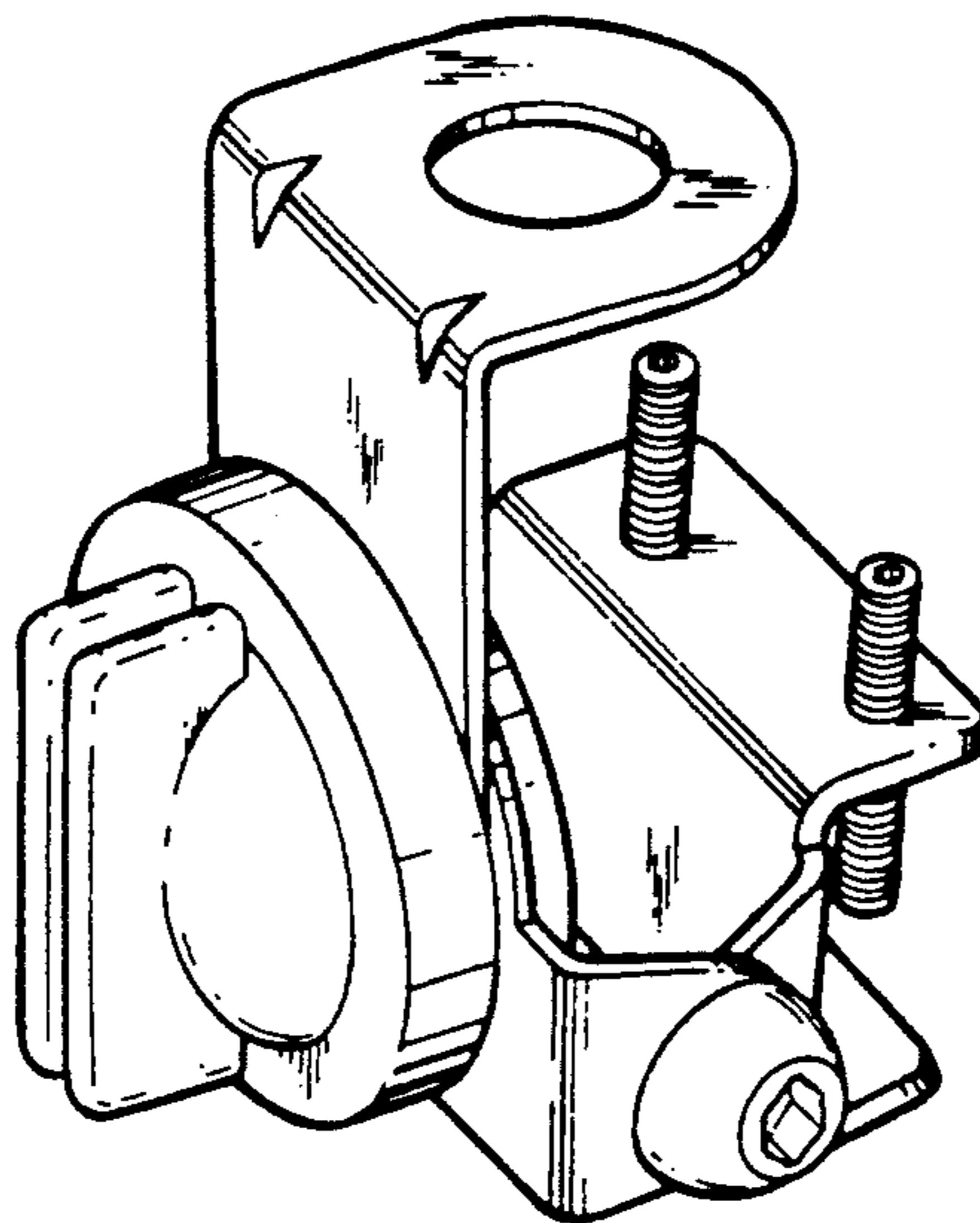


FIG. 1

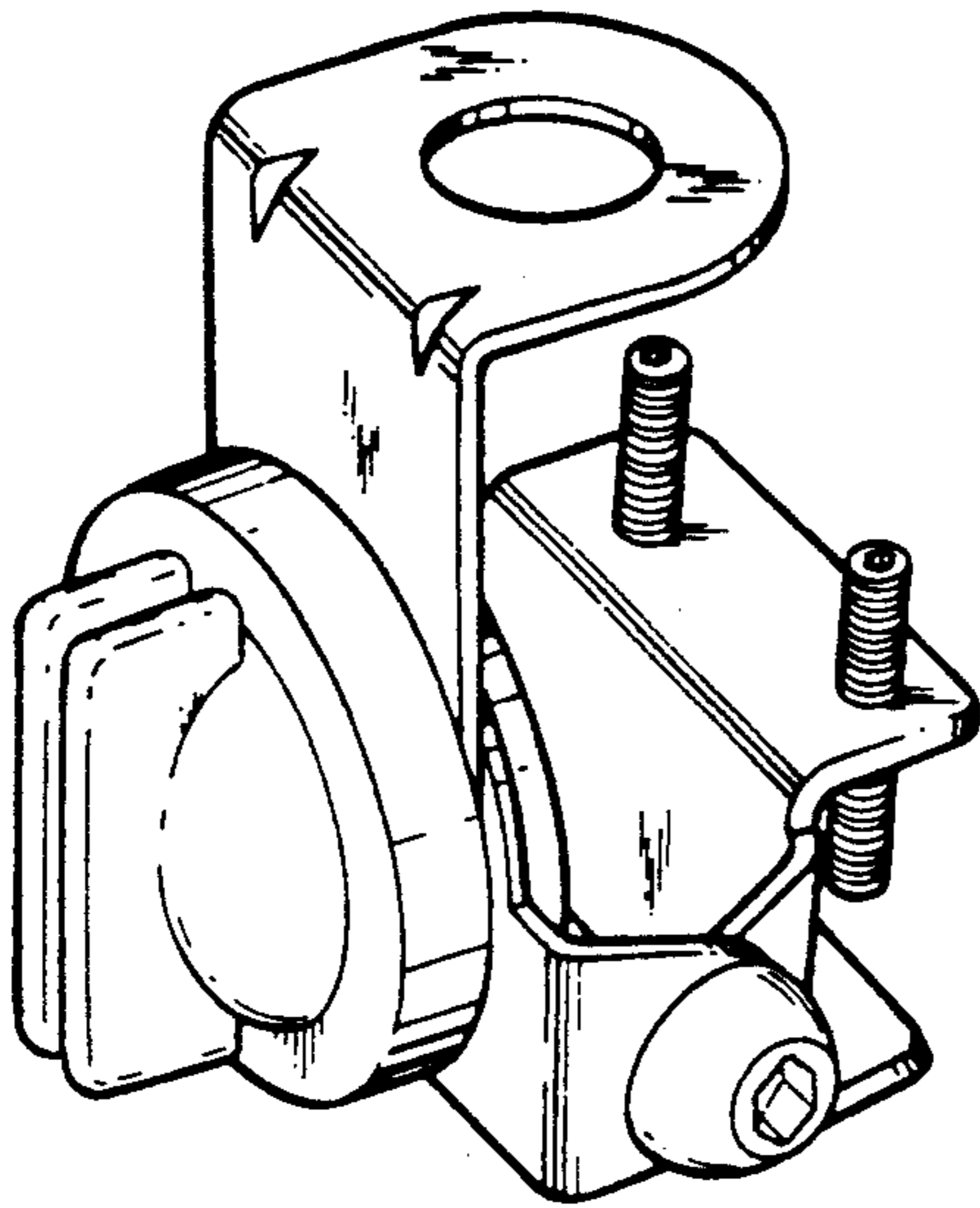


FIG. 2

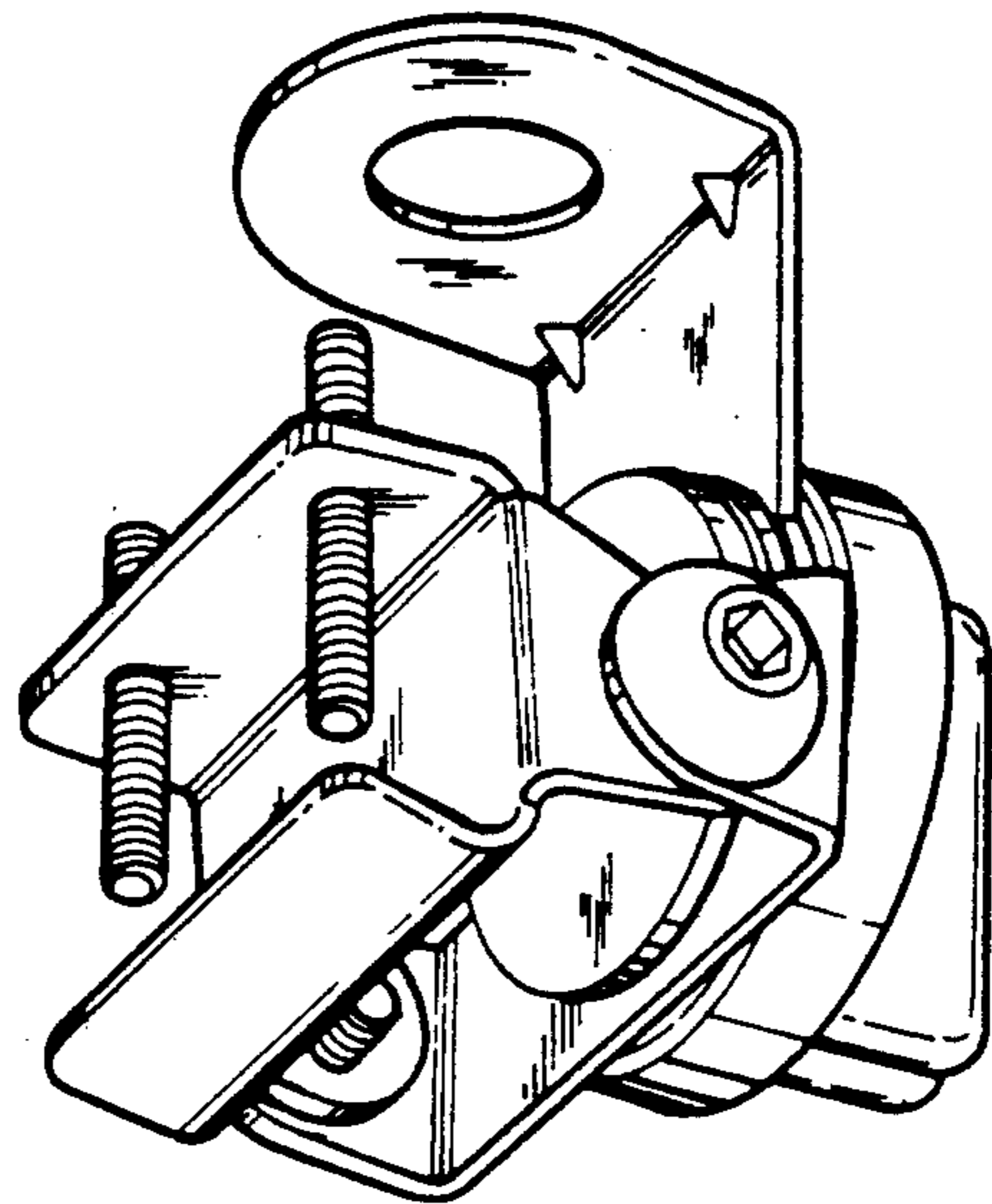


FIG. 3

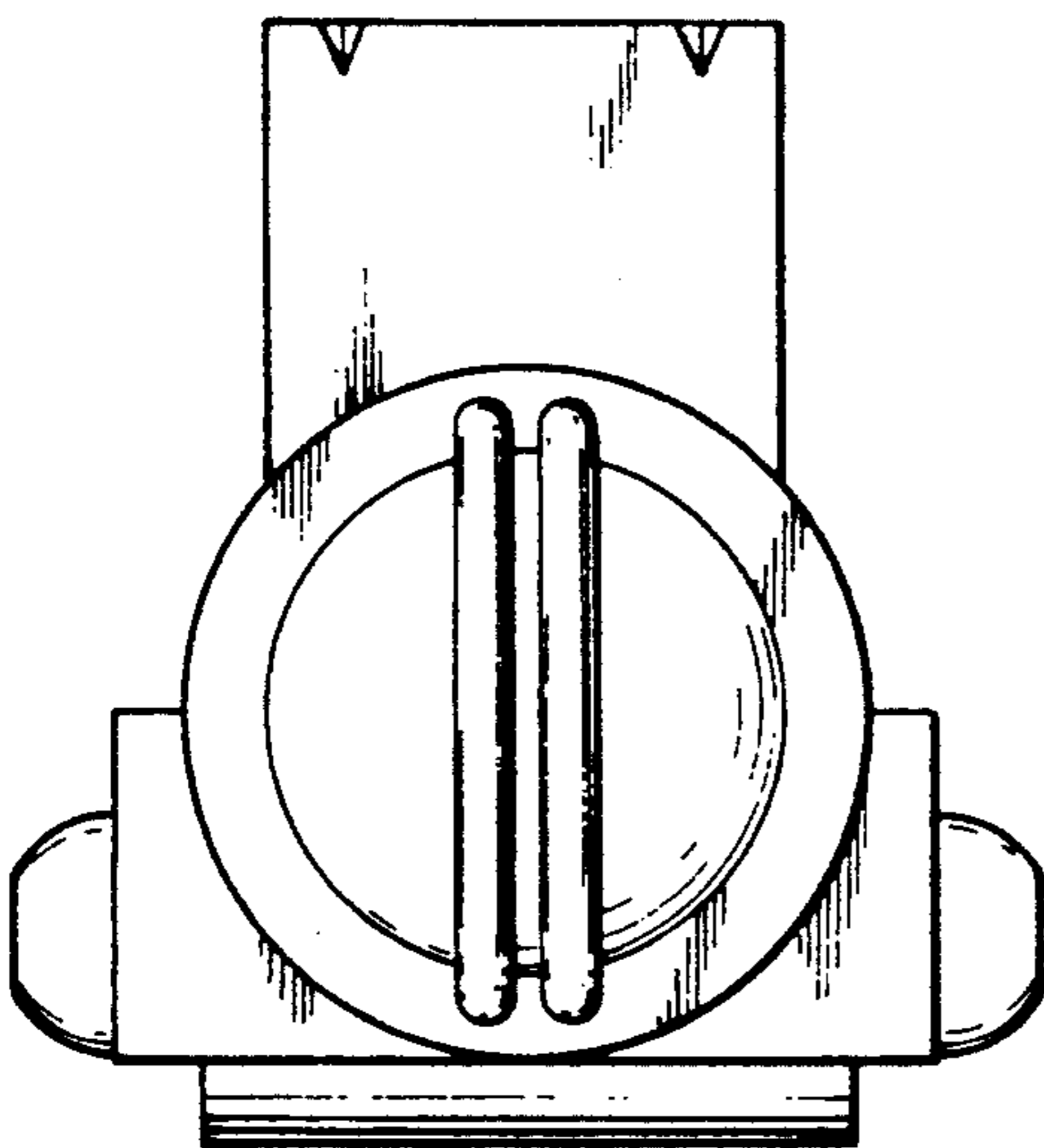


FIG. 4

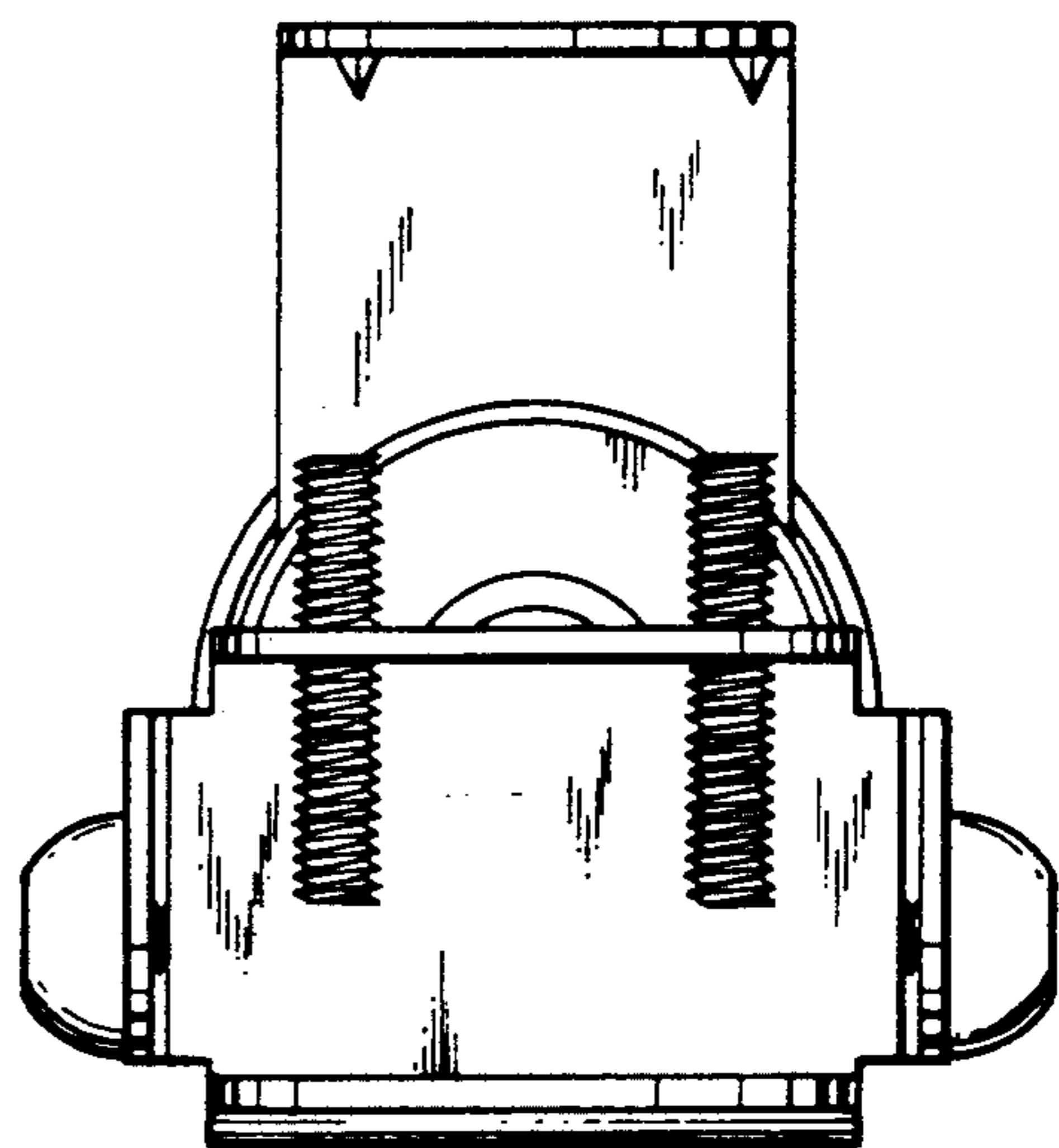


FIG. 5

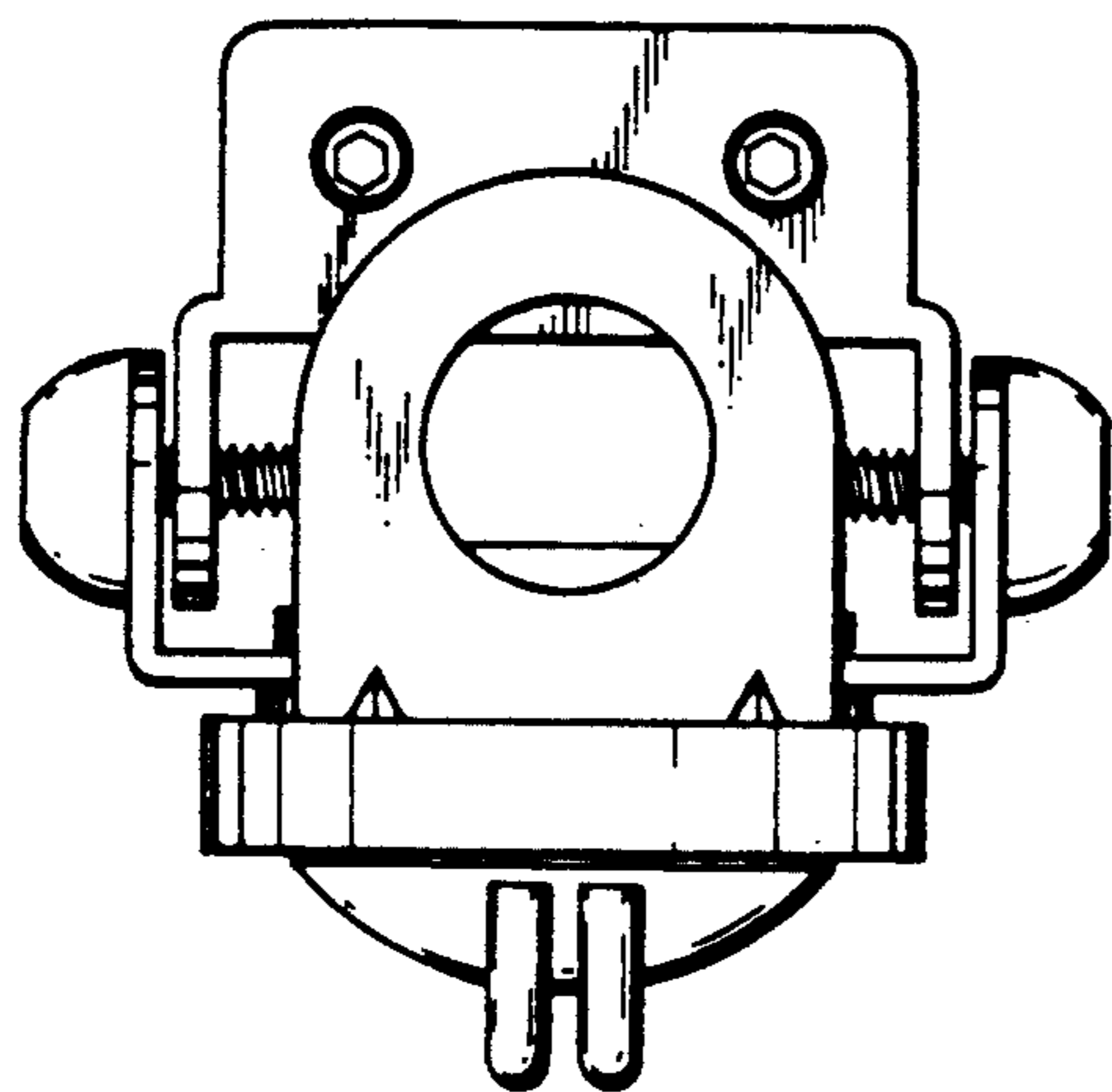


FIG. 6

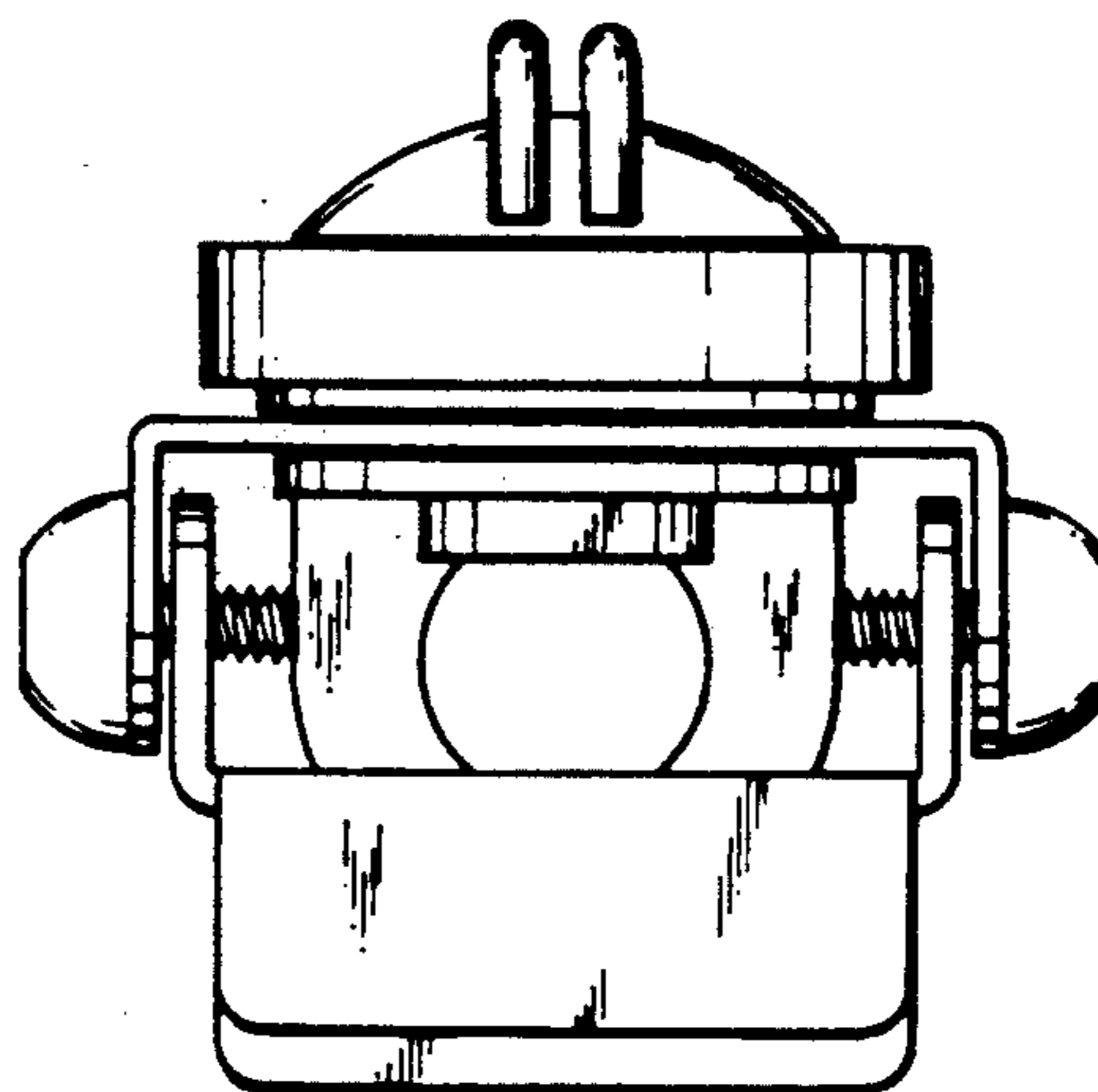


FIG. 7

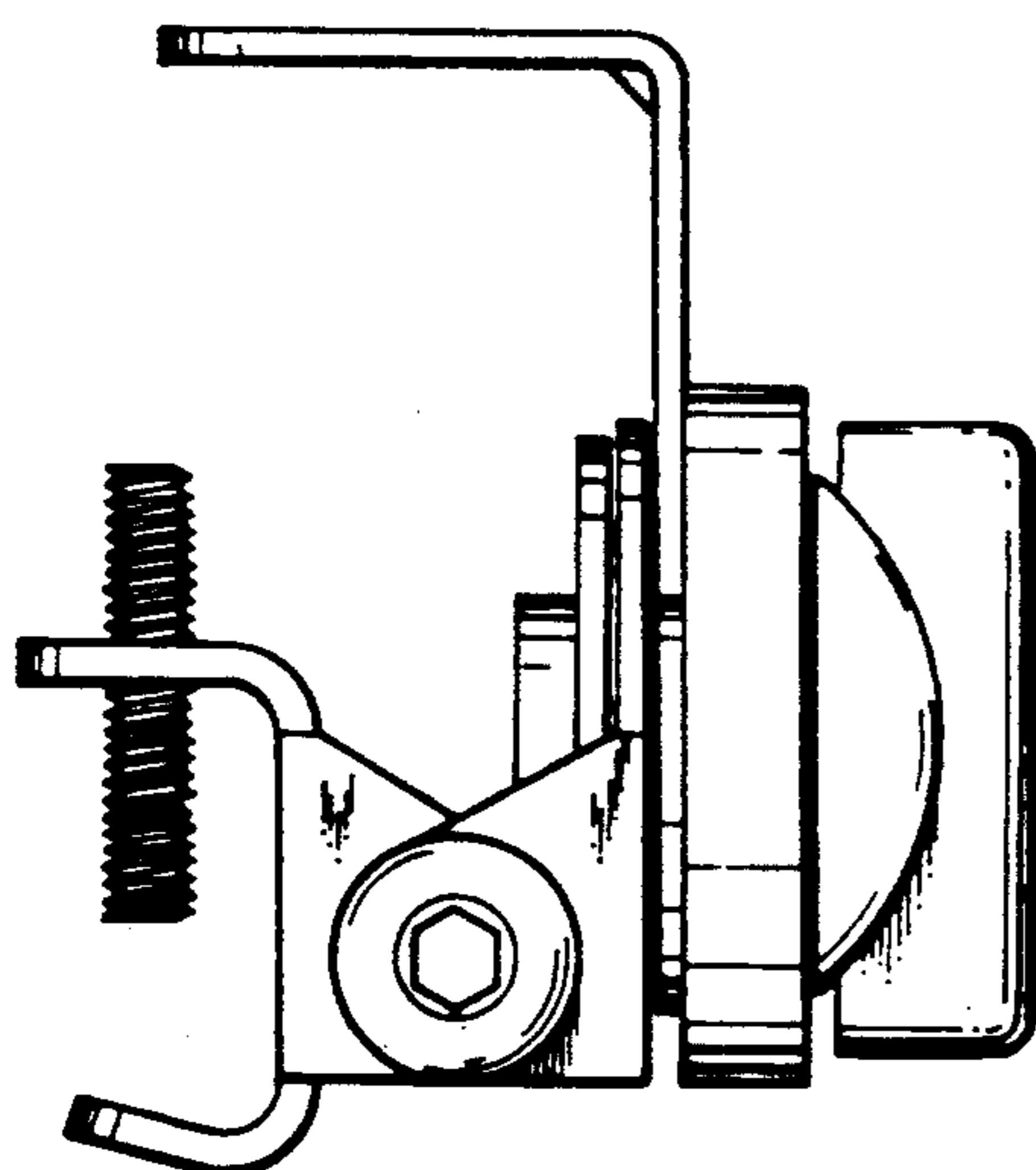


FIG. 8

