



US00D343839S

United States Patent [19]

[11] Patent Number: **Des. 343,839**

Dennis

[45] Date of Patent: **** Feb. 1, 1994**

[54] **COMPACT DISC CAROUSEL**

D. 327,889 7/1992 Ho et al. D14/136 X
D. 339,134 9/1993 Ho et al. D14/156

[76] Inventor: **James T. Dennis, 2312 NW. 57th St.,
Oklahoma City, Okla. 73112**

Primary Examiner—Terry A. Wallace
Attorney, Agent, or Firm—Mason, Kolehmainen,
Rathburn & Wyss

[**] Term: **14 Years**

[21] Appl. No.: **919,555**

[57] **CLAIM**

[22] Filed: **Jul. 22, 1992**

The ornamental design for a compact disc carousel, as shown and described.

[52] U.S. Cl. **D14/217**

[58] Field of Search 369/36-39,
369/75.1, 77.1, 77.2; D14/124, 135-136, 156,
217, 299

DESCRIPTION

[56] **References Cited**

U.S. PATENT DOCUMENTS

D. 315,348 3/1991 Wada D14/136 X

FIG. 1 is a top perspective view of a compact disc carousel, showing my new design;
FIG. 2 is a top plan view thereof;
FIG. 3 is a side elevational view thereof;
FIG. 4 is a bottom perspective view thereof; and,
FIG. 5 is a bottom plan view thereof.

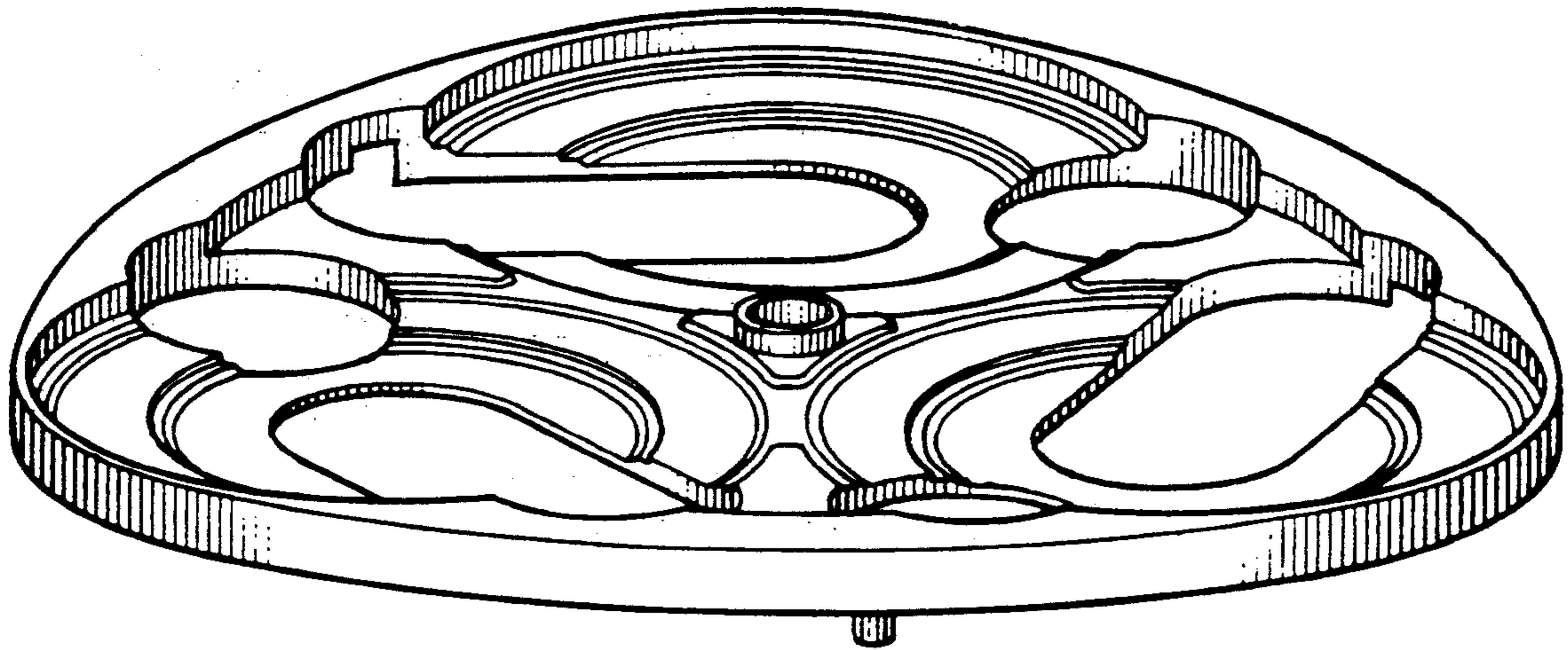


Fig. 1

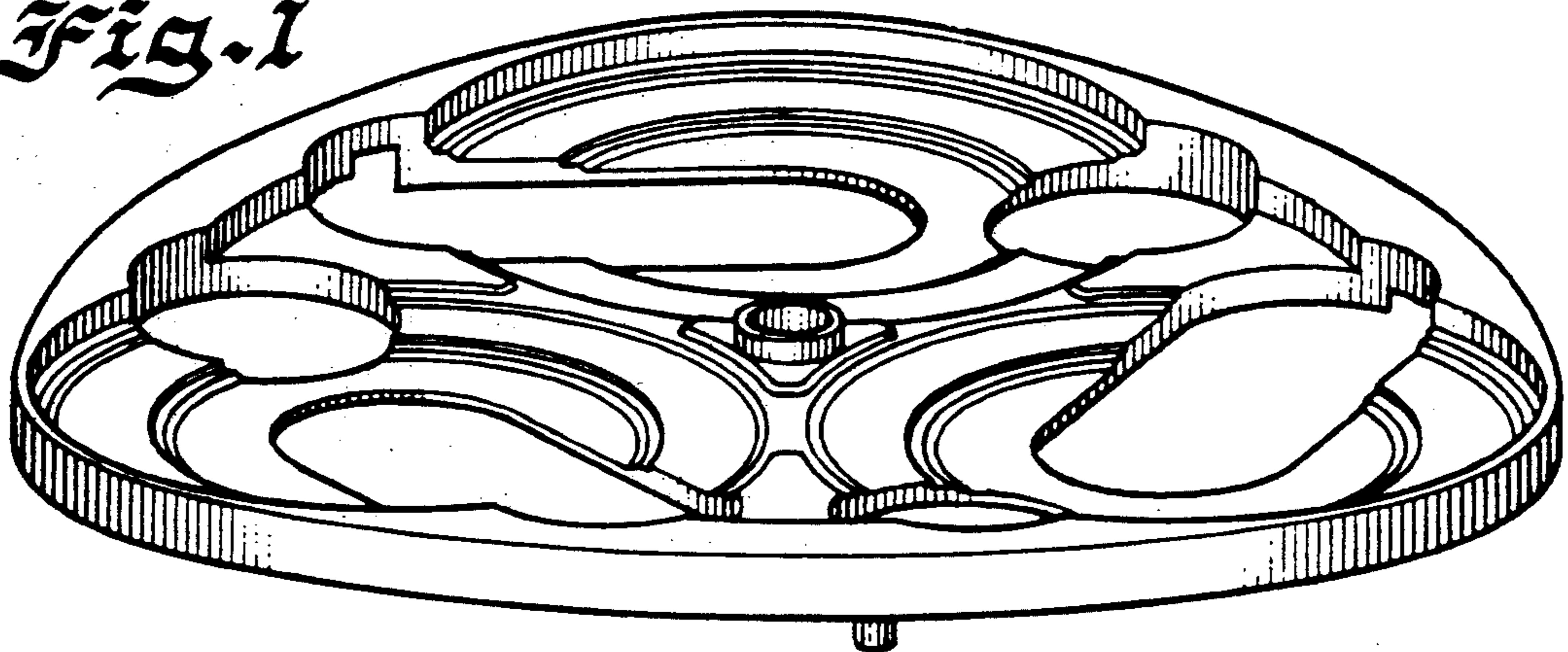


Fig. 2

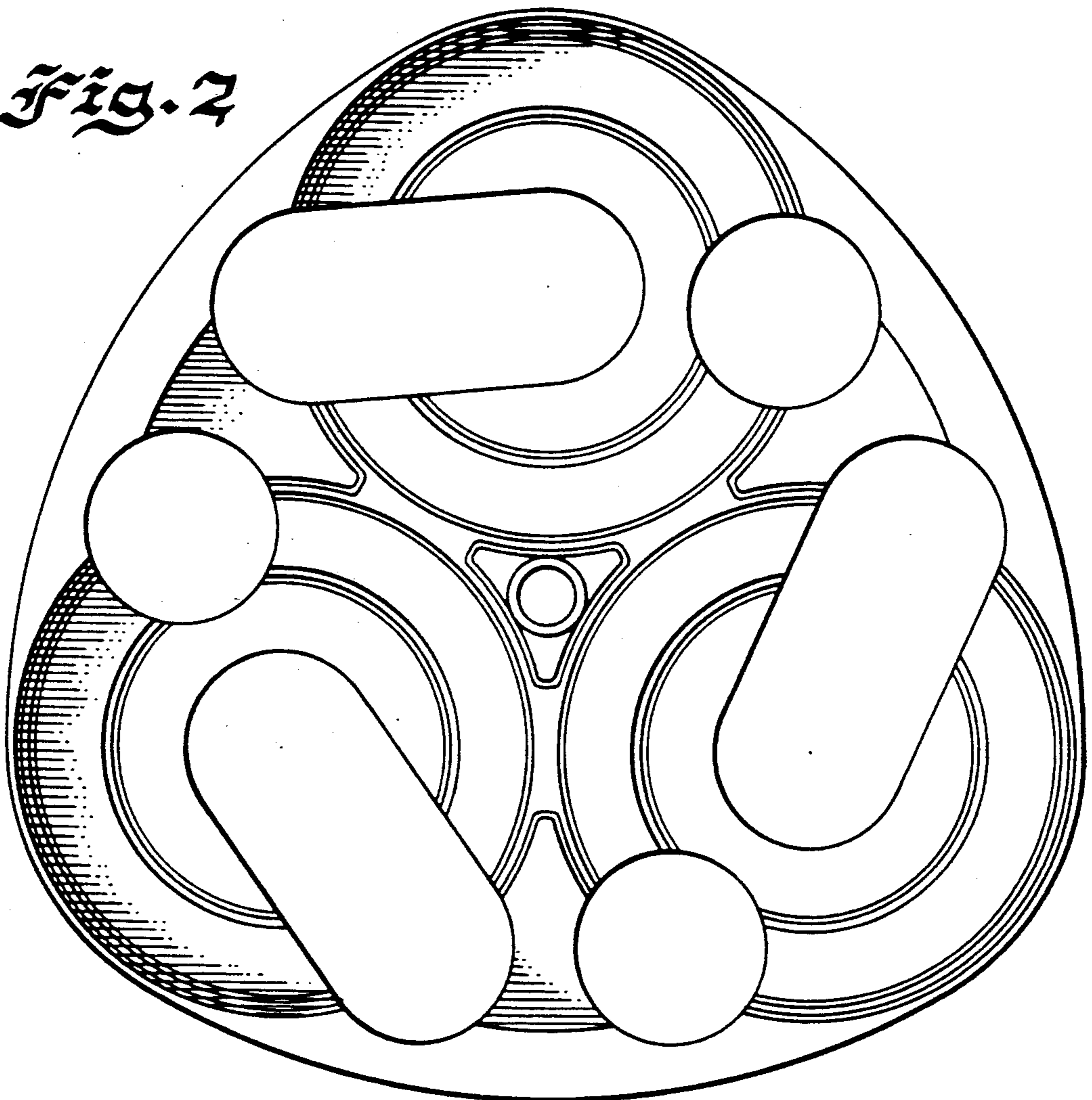


Fig. 3

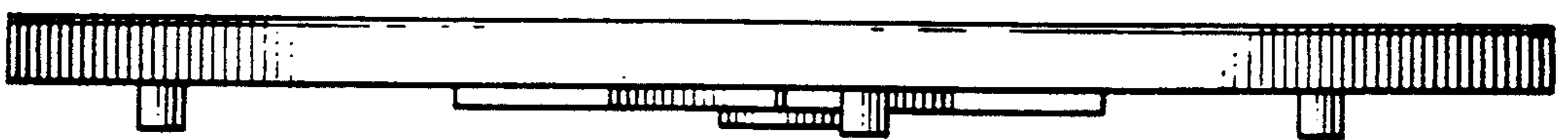


Fig. 4

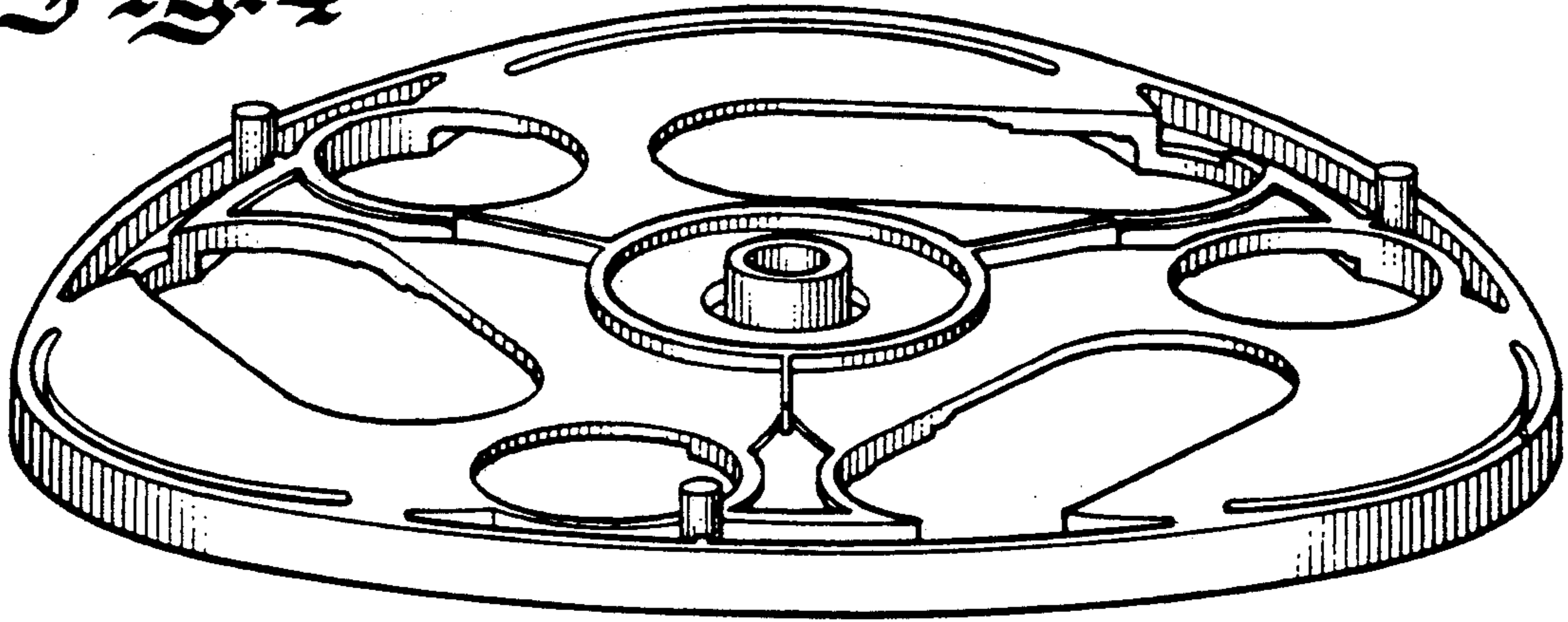


Fig. 5

