



US00D343838S

United States Patent [19]

Frank et al.

[11] Patent Number: **Des. 343,838**

[45] Date of Patent: **** Feb. 1, 1994**

[54] **AMPLIFIER HOUSING**

[75] Inventors: **Brett M. Frank, Canoga Park; Kim L. Christie, Sylmar, both of Calif.**

[73] Assignee: **Infinity Systems, Inc., Chatsworth, Calif.**

[**] Term: **14 Years**

[21] Appl. No.: **809,977**

[22] Filed: **Dec. 18, 1991**

[52] U.S. Cl. **D14/198**

[58] Field of Search **455/343, 344, 347, 350, 455/351; D14/188, 197, 198**

[56] **References Cited**

U.S. PATENT DOCUMENTS

D. 244,616 6/1977 Sizer D14/197

D. 249,946 10/1978 Ohtomo D14/197
D. 259,565 6/1981 Watanabe D14/197
D. 271,694 12/1983 Nomura et al. D14/197
D. 316,553 4/1991 Azima D14/188

Primary Examiner—**B. J. Bullock**

Attorney, Agent, or Firm—**Jones, Day, Reavis & Pogue**

[57] **CLAIM**

The ornamental design for an amplifier housing, as shown and described.

DESCRIPTION

FIG. 1 is a perspective view of the amplifier housing showing the front, side, and top;

FIG. 2 is a perspective view of the amplifier housing showing the rear, side, and top; and,

FIG. 3 is a top view of the amplifier housing.

The bottom of the amplifier housing is unornamented.

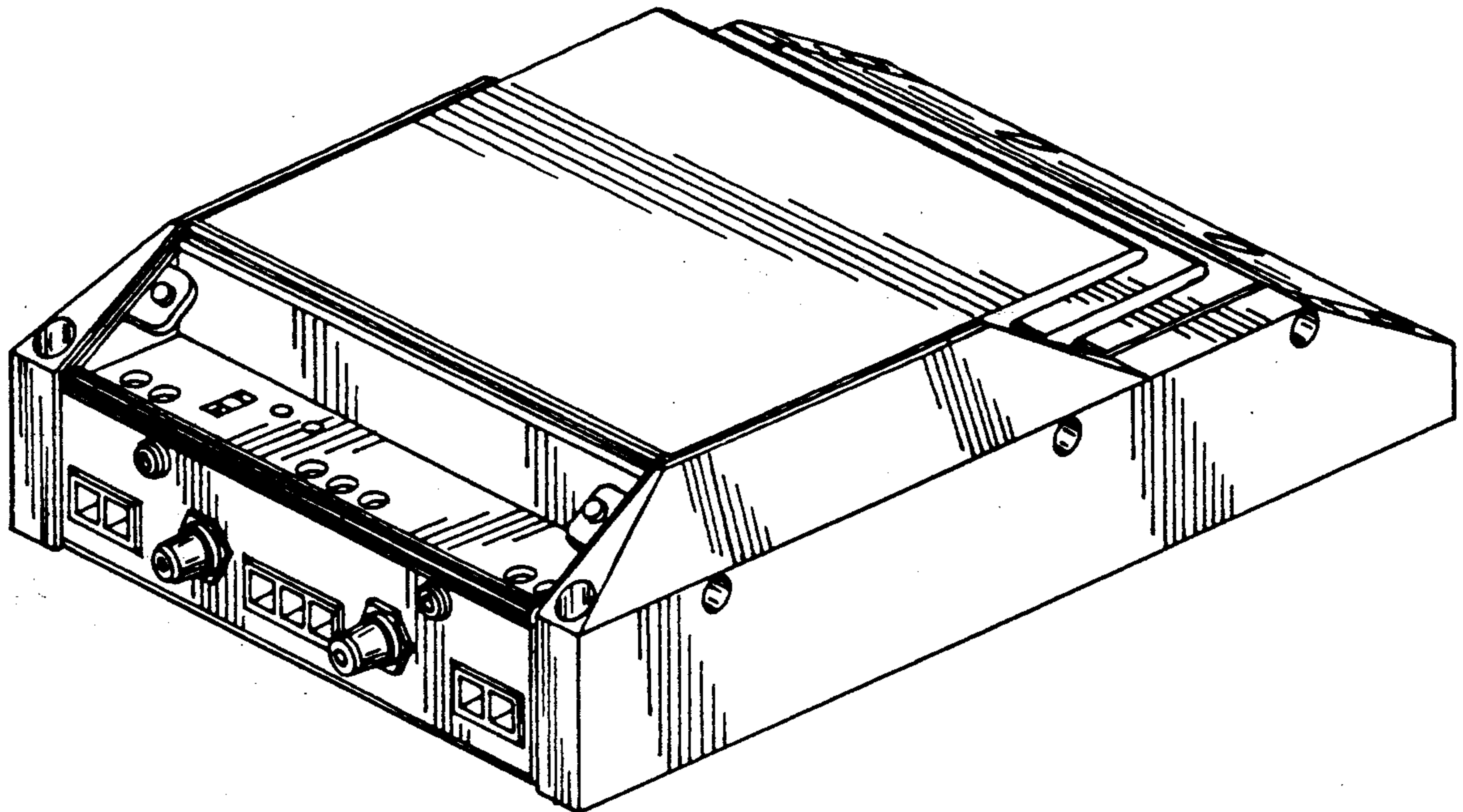


FIG. 1

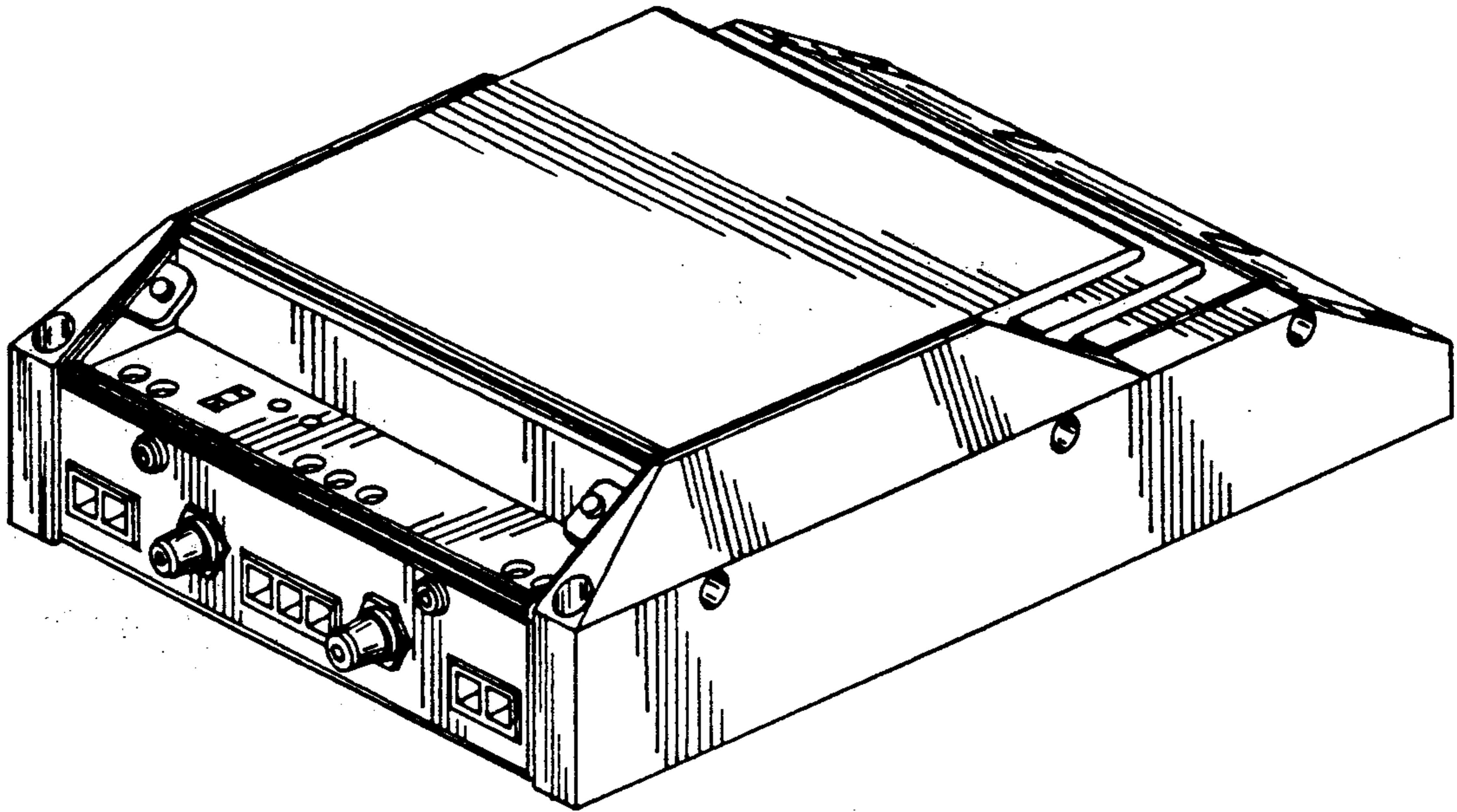


FIG. 2

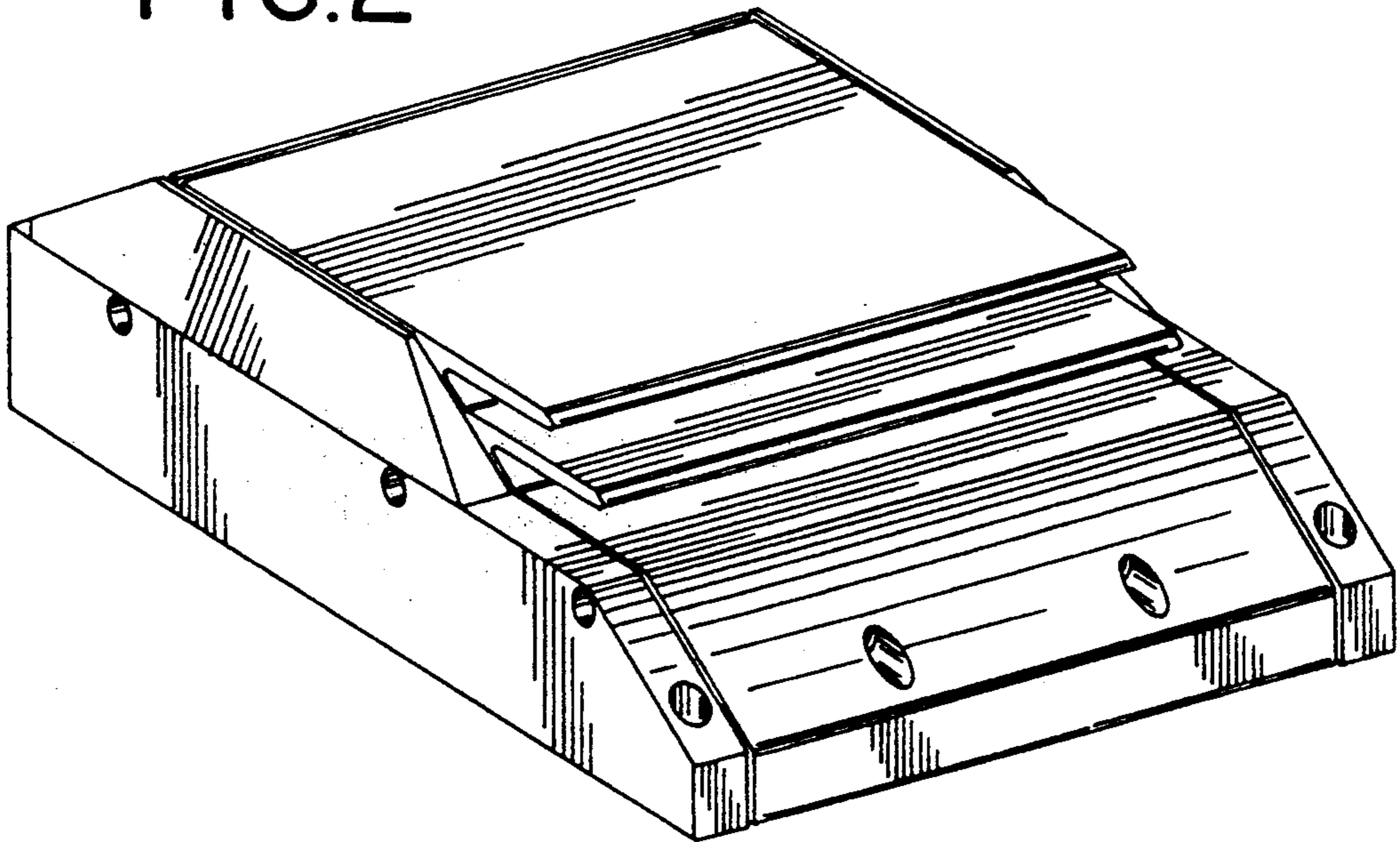


FIG. 3

