



US00D343836S

United States Patent [19] Mischenko

[11] Patent Number: **Des. 343,836**
[45] Date of Patent: **** Feb. 1, 1994**

- [54] TELEPHONE HANDSET
- [75] Inventor: **Nicholas Mischenko, Mount Prospect, Ill.**
- [73] Assignee: **Motorola, Inc., Schaumburg, Ill.**
- [**] Term: **14 Years**
- [21] Appl. No.: **853,311**
- [22] Filed: **Mar. 16, 1992**
- [52] U.S. Cl. **D14/148; D14/247**
- [58] Field of Search **379/419, 433, 60, 61, 379/59, 58; D14/138, 140, 142, 147, 148, 240, 248**

- D. 315,907 4/1991 Wong et al. .
- D. 316,859 5/1991 Wong et al. .
- D. 322,783 12/1991 Saluja et al. D14/138

OTHER PUBLICATIONS

Motorola, Inc., "Cellular Mobile Telephone", User's Manual for model AS821 America Series Radiotelephone (No. 68P09351A58-0), Jul. 30, 1990, p. 1.

Primary Examiner—Nelson C. Holtje
Assistant Examiner—Jeffrey Asch
Attorney, Agent, or Firm—Raymond A. Janski

[57] CLAIM

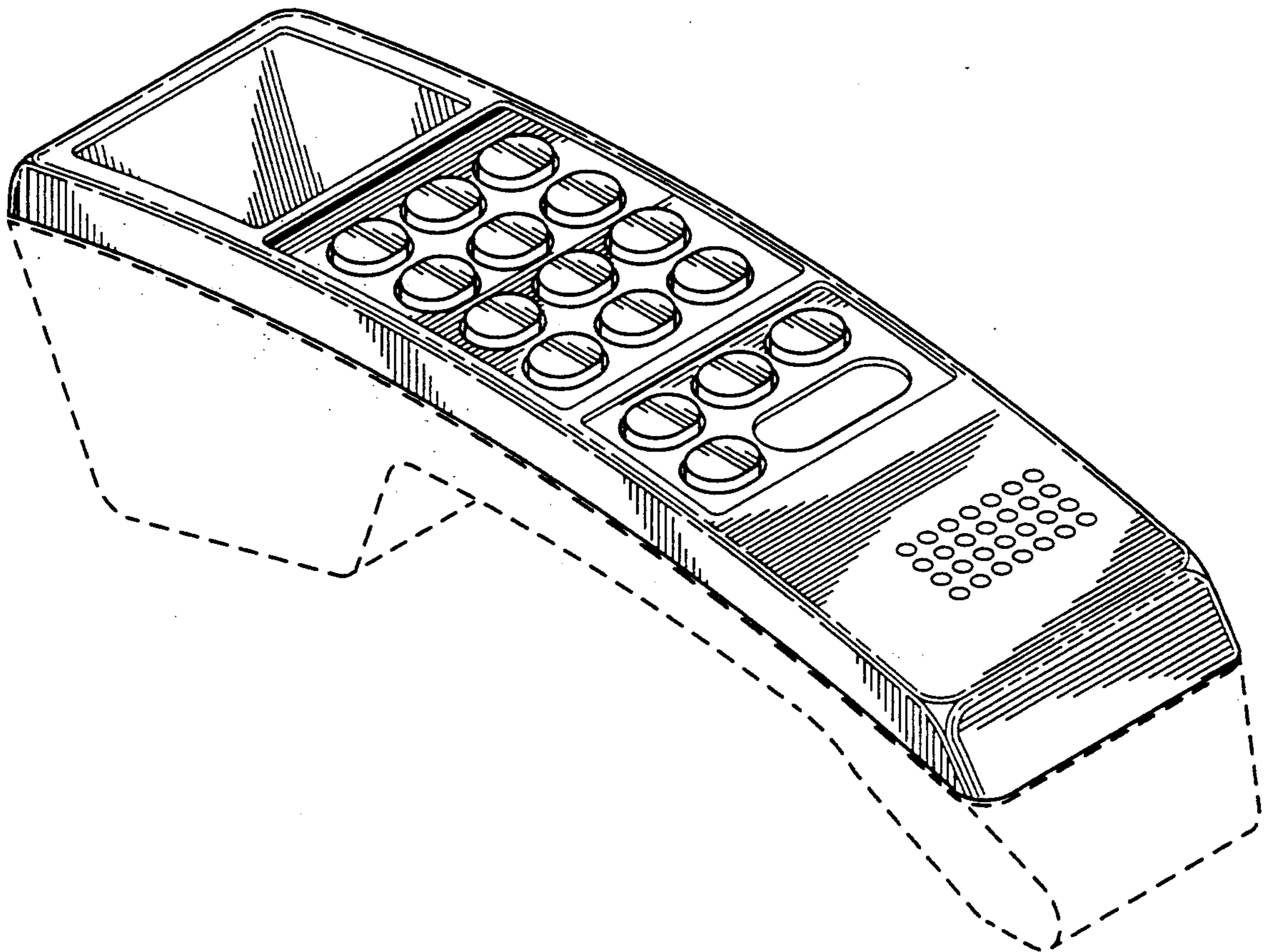
The ornamental design for an "telephone handset", as shown and described.

DESCRIPTION

FIG. 1 is a top, front, and left side perspective view of said "telephone handset" showing my new design, wherein the dotted line material is for reference purposes only and forms no part of the claimed invention; FIG. 2 is a right side elevational view of my new design, wherein the dotted line material is for reference purposes only and forms no part of the claimed invention; and, FIG. 3 is a rear elevational view thereof, wherein the dotted line material is for reference purposes only and forms no part of the claimed invention.

[56] References Cited U.S. PATENT DOCUMENTS

- D. 271,491 11/1983 Taylor .
- D. 286,778 11/1986 Beaumont .
- D. 292,578 11/1987 Taylor .
- D. 292,920 11/1987 Taylor .
- D. 295,973 5/1988 Nagele .
- D. 295,975 5/1988 Taylor et al. .
- D. 302,015 7/1989 Taylor .
- D. 306,293 2/1990 Nagele et al. .
- D. 306,441 3/1990 Taylor et al. .
- D. 315,559 3/1991 Taylor et al. .
- D. 315,565 3/1991 Taylor .



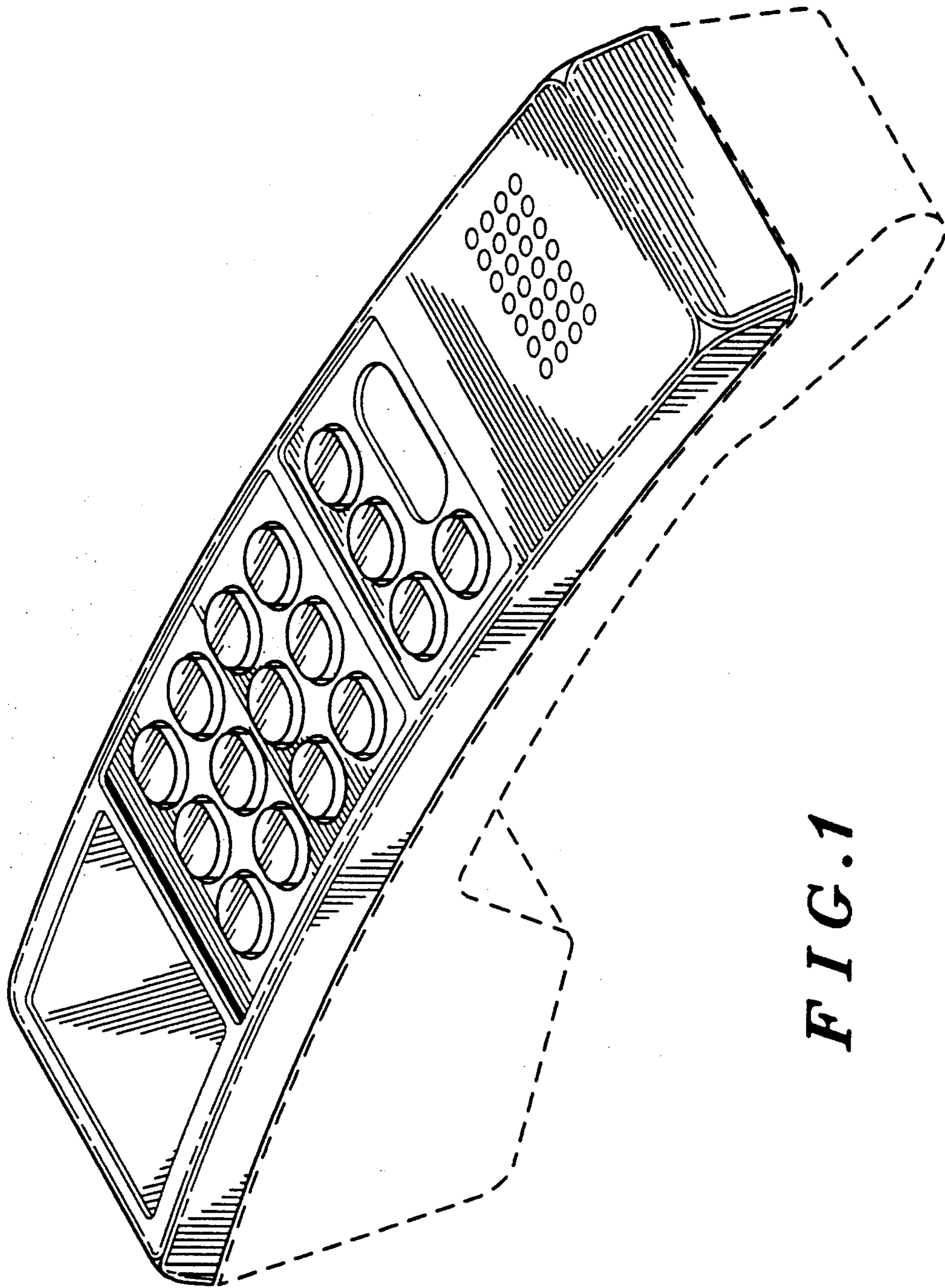


FIG. 1

FIG. 2

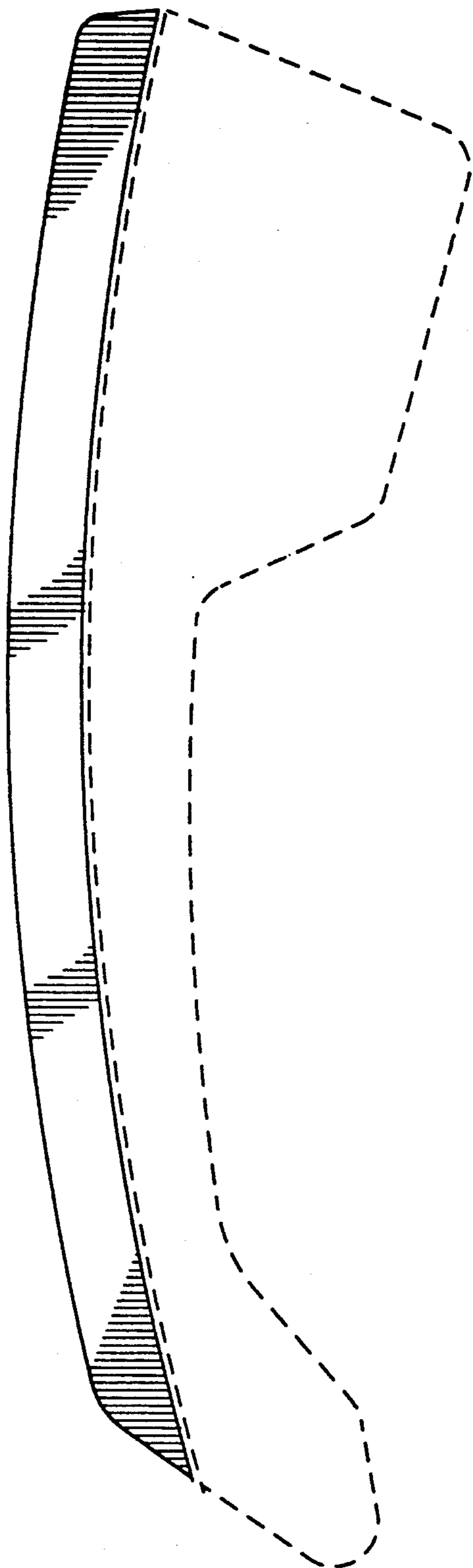


FIG. 3

