



US00D343832S

# United States Patent [19]

[11] Patent Number: **Des. 343,832**

Haraga et al.

[45] Date of Patent: **\*\* Feb. 1, 1994**

[54] **COMPUTER**

763855 6/1989 Japan .  
764976 6/1989 Japan .  
781586 2/1990 Japan .  
790135 6/1990 Japan .

[75] Inventors: **Shinya Haraga; Hajime Sekino**, both of Tottori, Japan

[73] Assignee: **Sanyo Electric Co., Ltd.**, Osaka, Japan

*Primary Examiner*—Susan J. Lucas  
*Assistant Examiner*—Freda S. Nunn  
*Attorney, Agent, or Firm*—Darby & Darby

[\*\*] Term: **14 Years**

[21] Appl. No.: **832,853**

[57] **CLAIM**

[22] Filed: **Feb. 7, 1992**

The ornamental design for a computer, as shown and described.

[30] **Foreign Application Priority Data**

**DESCRIPTION**

Aug. 8, 1991 [JP] Japan ..... 3-24280

[52] U.S. Cl. .... **D14/106**

[58] Field of Search ..... 235/145 A, 145 R;  
340/700, 706; 341/22, 23; 364/708, 709.04;  
361/390, 394; D14/100, 101, 106, 113, 115;  
D18/1, 7, 11, 12

FIG. 1 is a top front and right side perspective view of a computer showing our new design with the display screen and cover open;  
FIG. 2 is a top front and right side perspective view thereof with the display screen and cover closed;  
FIG. 3 is a front elevational view thereof with the display screen and cover open;  
FIG. 4 is a rear elevational view thereof with the display screen and cover open;  
FIG. 5 is a top view thereof with the display screen and cover open;  
FIG. 6 is a bottom view thereof with the display screen and cover open;  
FIG. 7 is a right side elevational view thereof with the display screen and cover open; and,  
FIG. 8 is a left side elevational view thereof with the display screen and cover open.

[56] **References Cited**

**U.S. PATENT DOCUMENTS**

D. 294,831 3/1988 Hara et al. .... D14/106  
D. 318,046 7/1991 Ichikawa ..... D14/106  
D. 319,819 9/1991 Kawaguchi ..... D14/106  
D. 333,129 2/1993 Derocher ..... D14/106  
D. 334,558 4/1993 Iino ..... D14/106

**FOREIGN PATENT DOCUMENTS**

763838 6/1989 Japan .

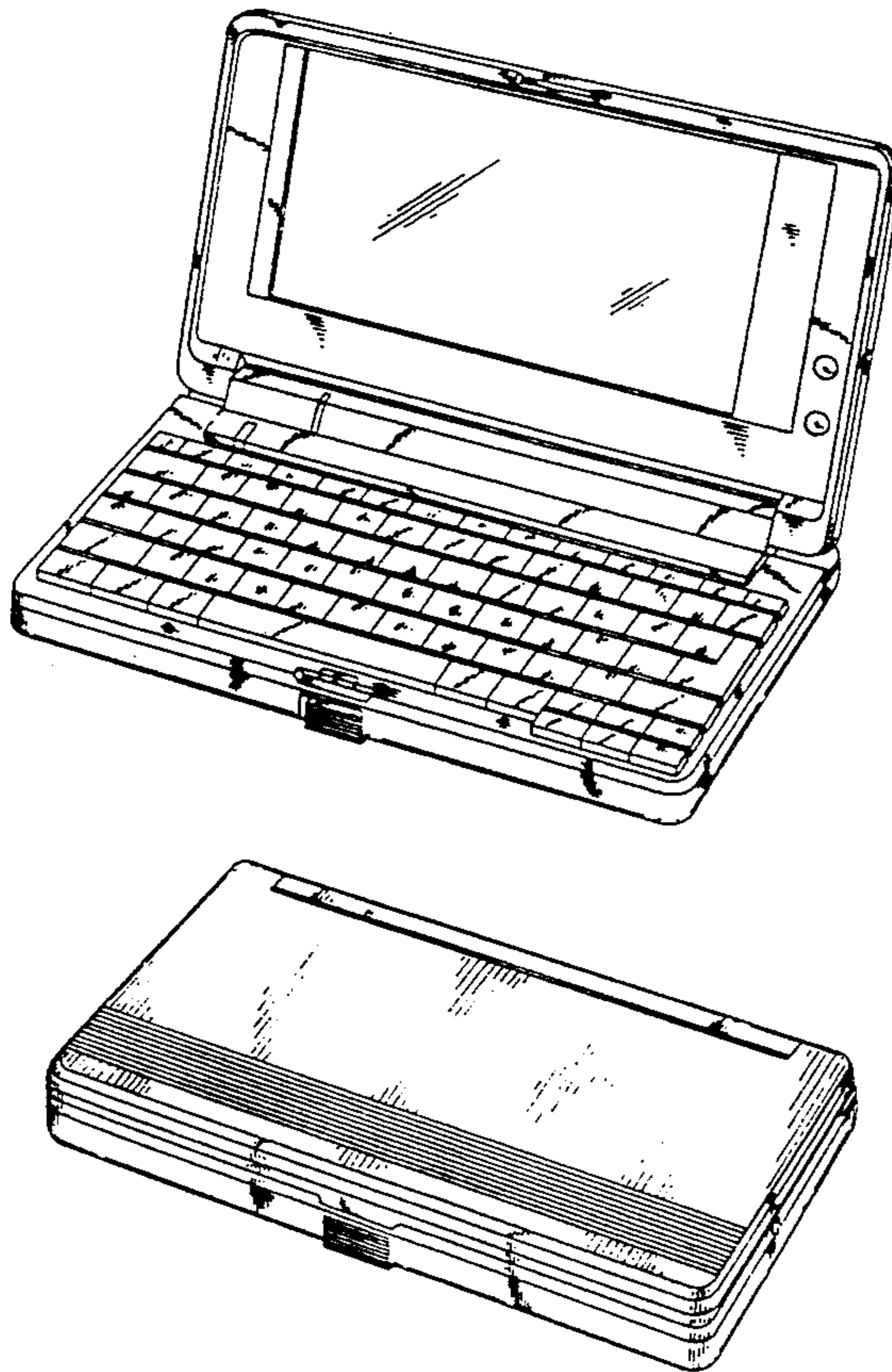


FIG. 1

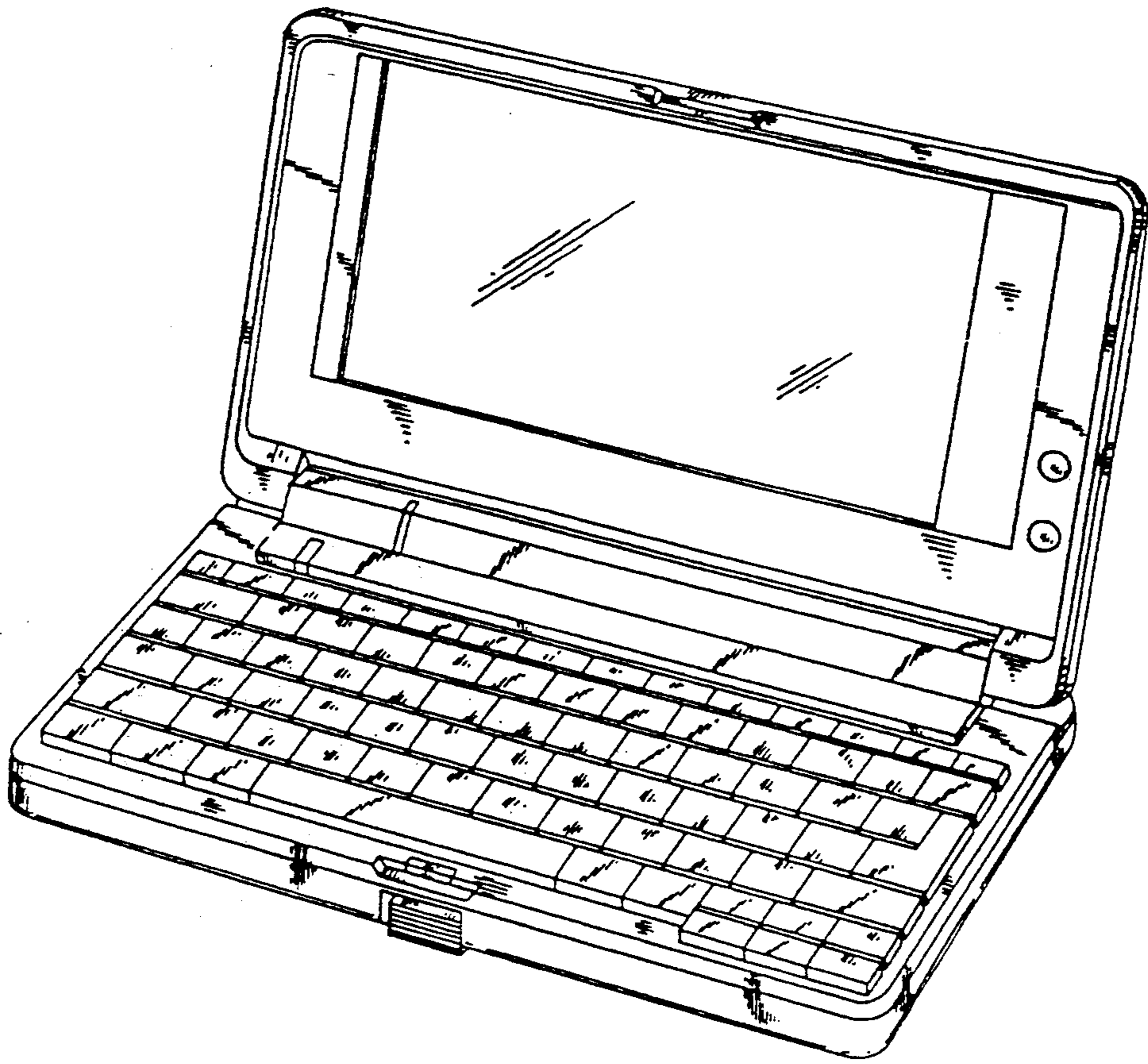


FIG. 2

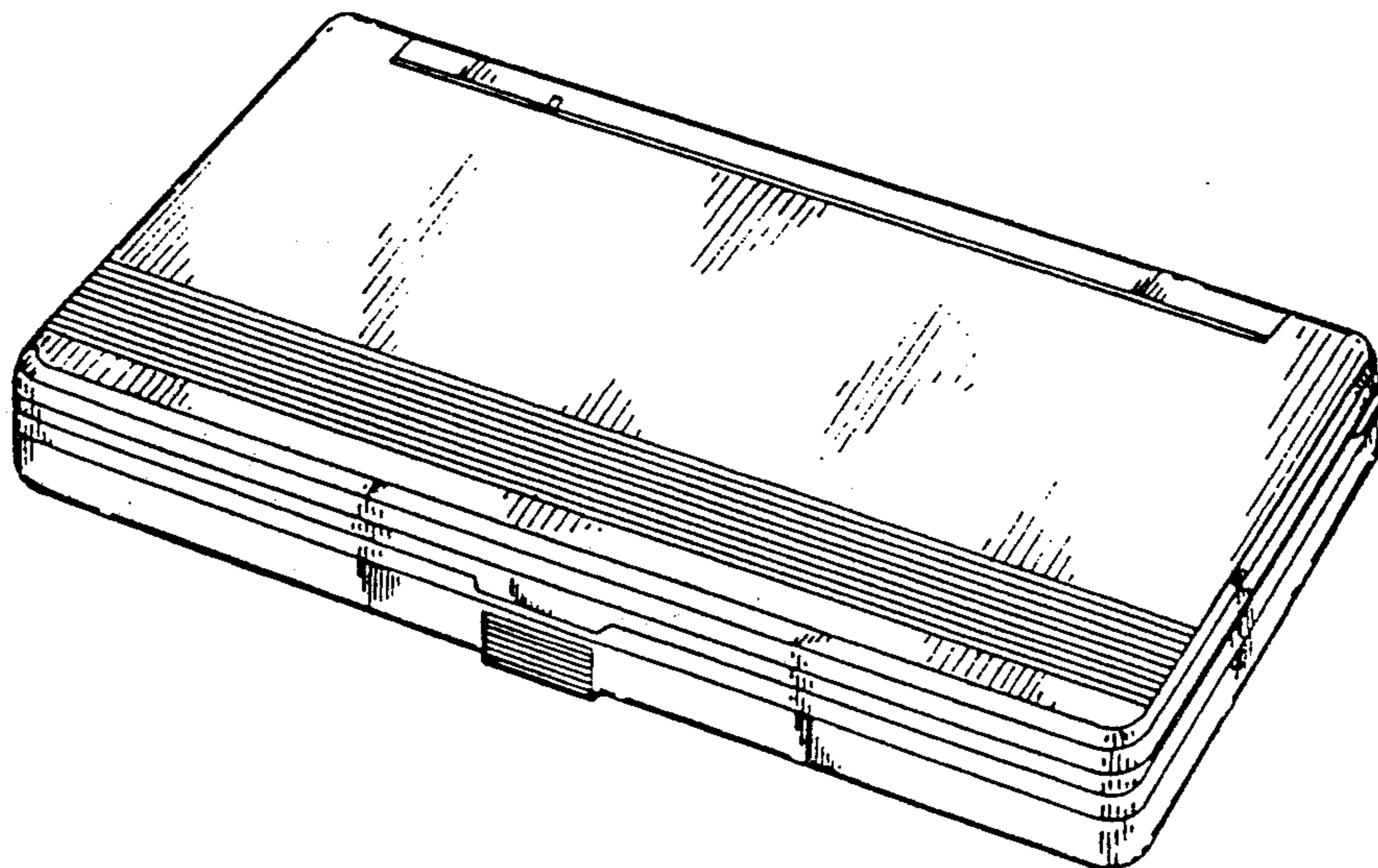


FIG. 3

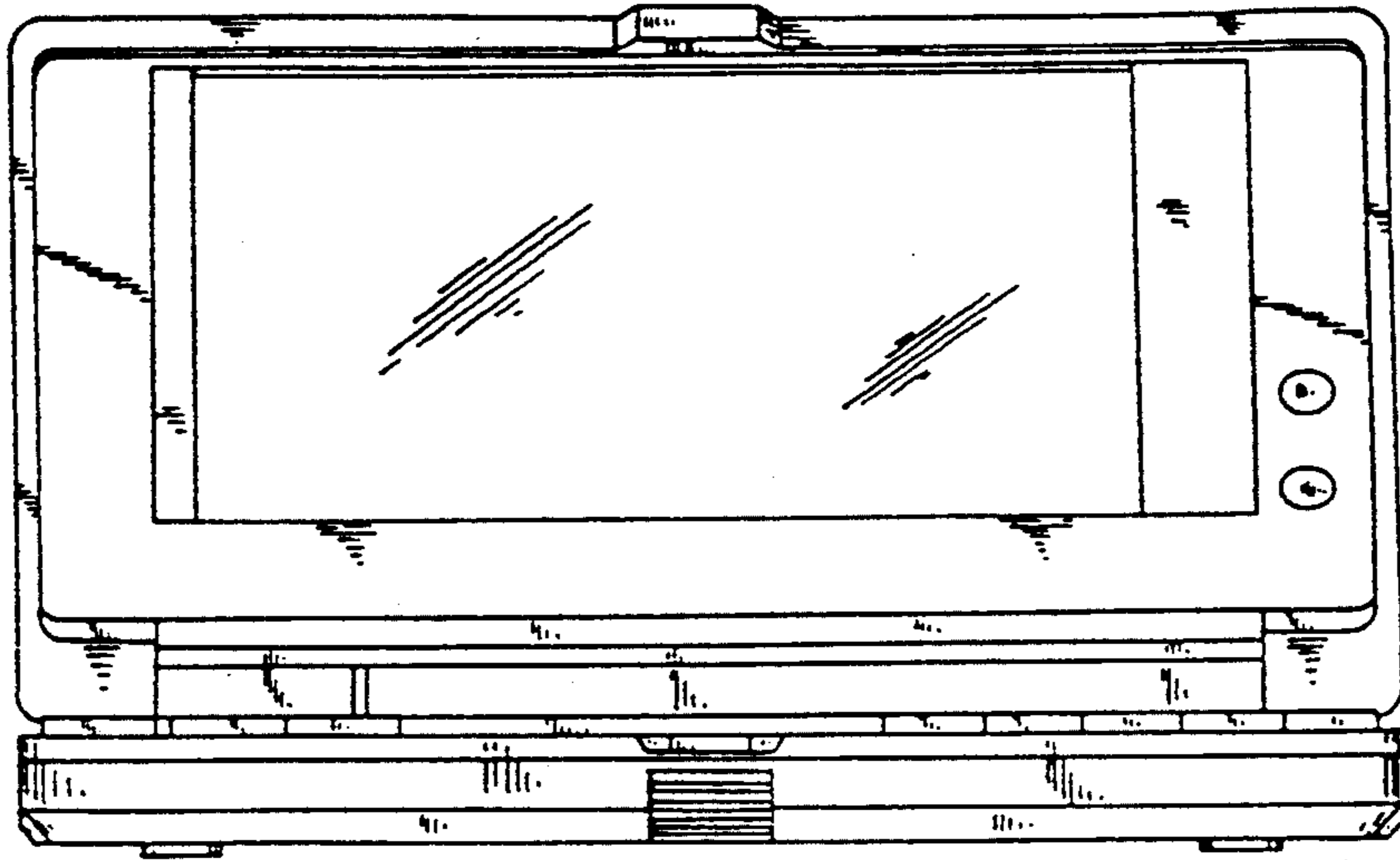


FIG. 4

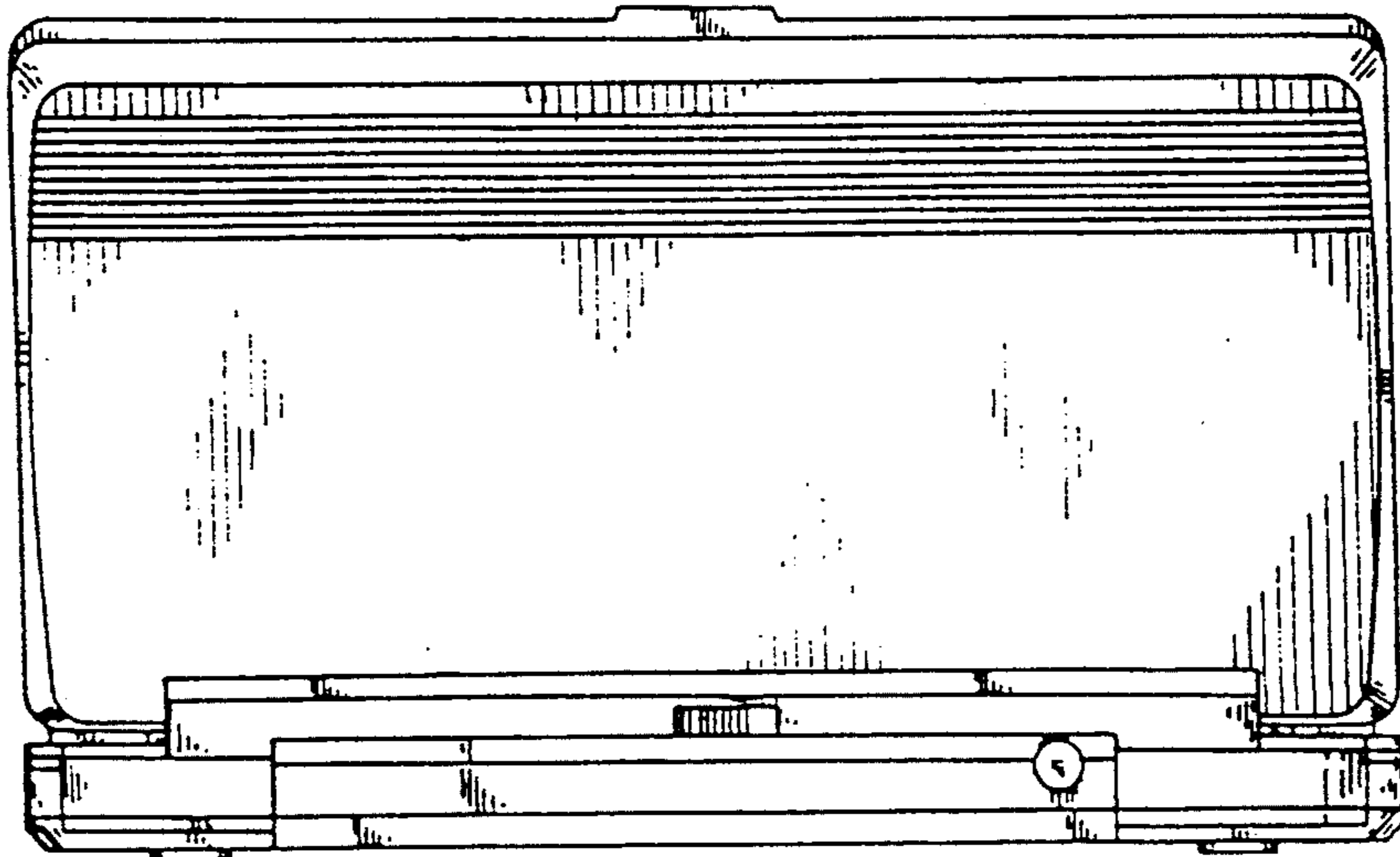


FIG. 5

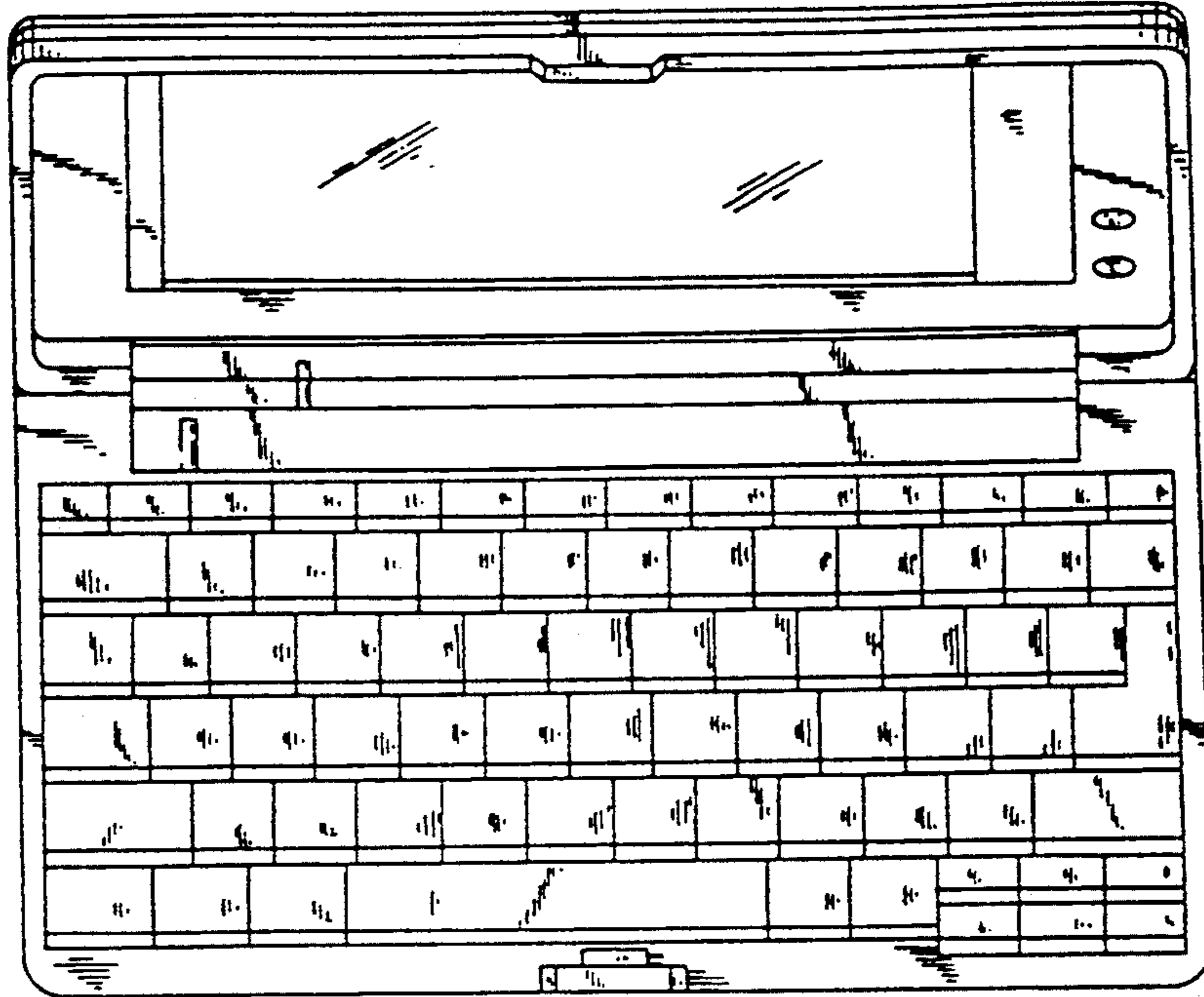


FIG. 6

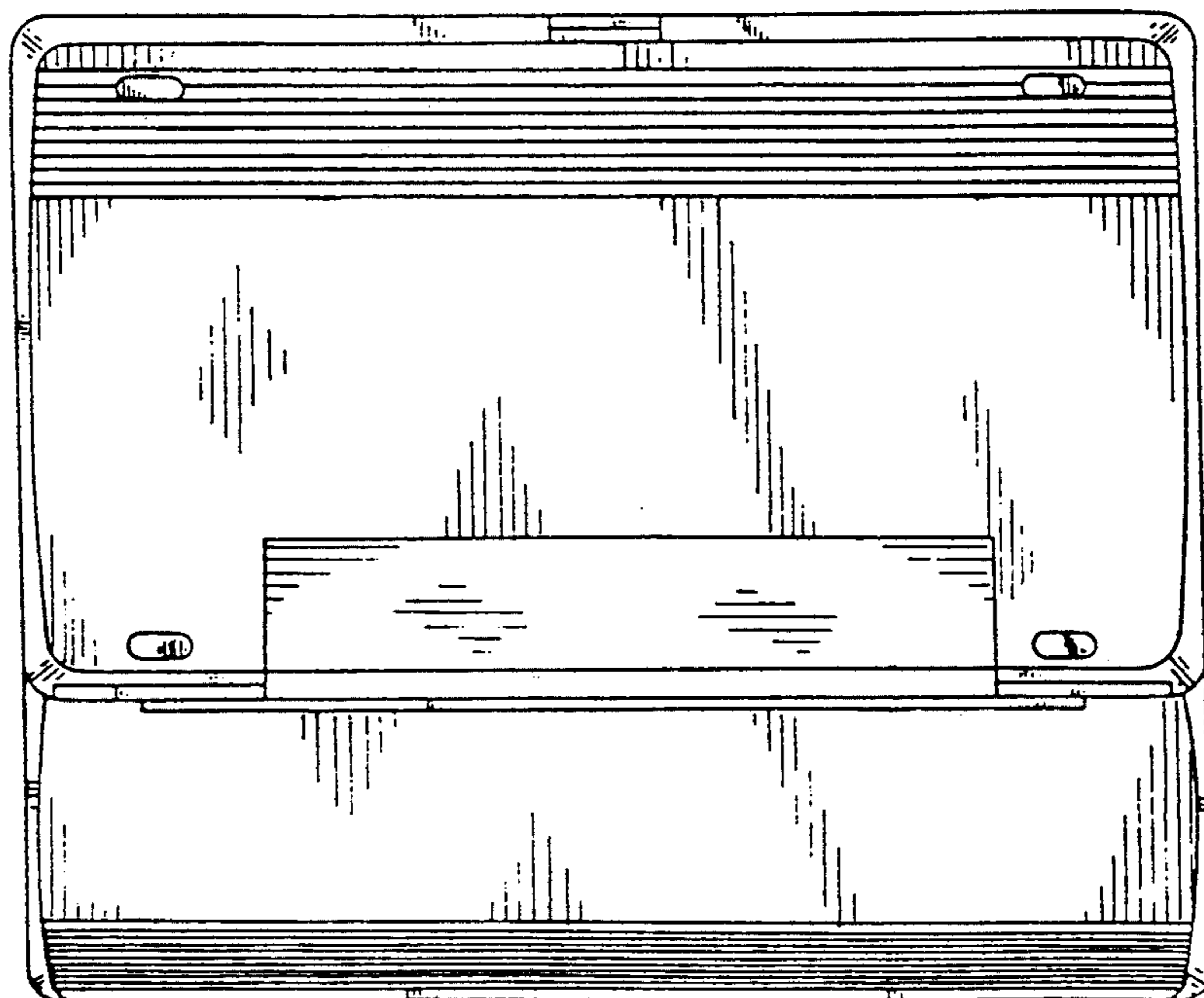


FIG. 7

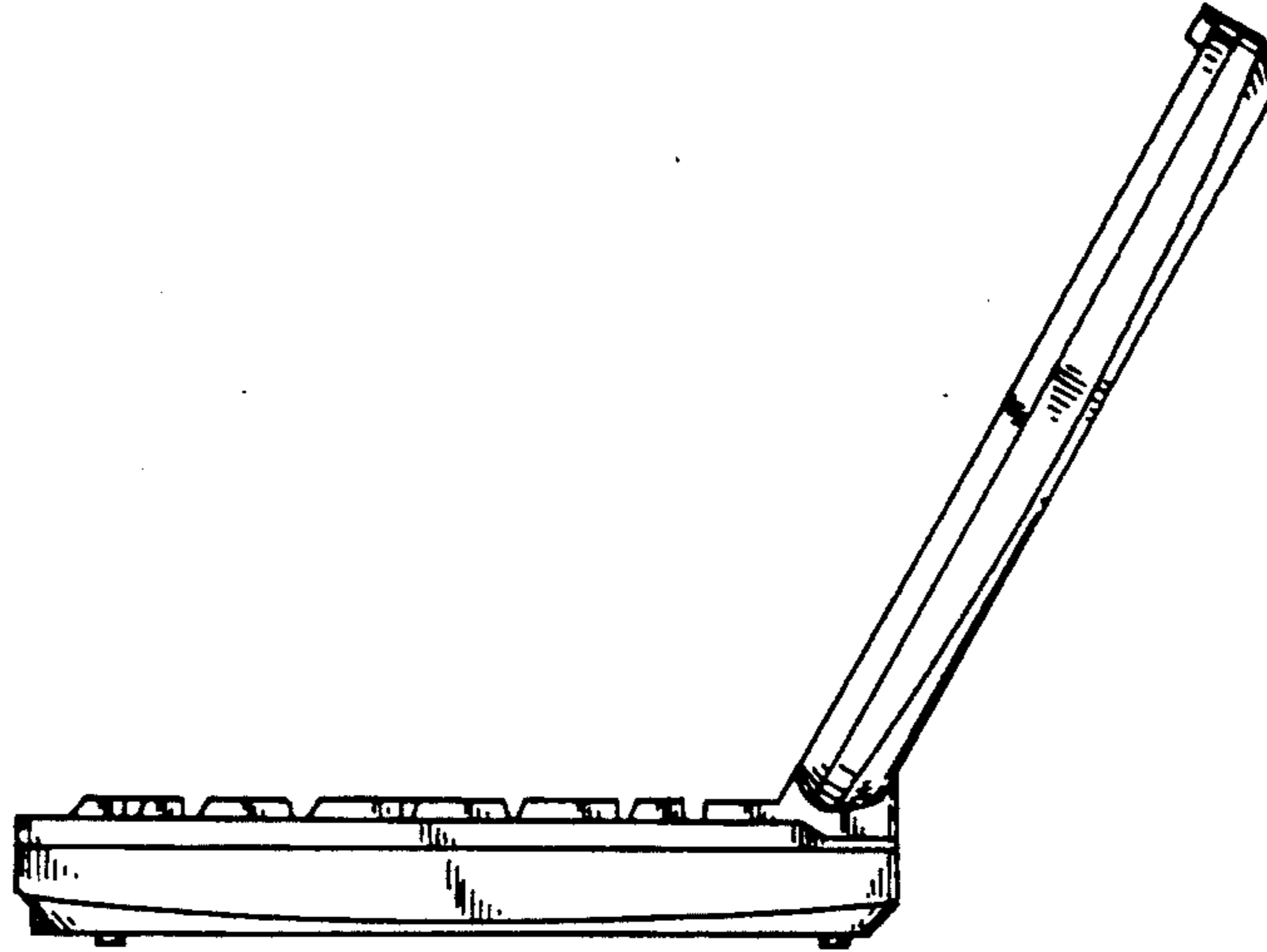


FIG. 8

