



US00D343828S

United States Patent [19]

Leitermann et al.

[11] Patent Number: Des. 343,828

[45] Date of Patent: ** Feb. 1, 1994

[54] **COMPUTER CABLE TROUGH FOR ROUTING COMPUTER CABLES BETWEEN STACKS OF COMPUTER MODULES**

[75] Inventors: **Richard E. Leitermann**, Newton; **Neal H. Marshall**, Bolton; **John c. Costello**, Wellesley; **Benjamin J. Beck**, Boston, all of Mass.

[73] Assignee: **Kendall Square Research Corporation**, Waltham, Mass.

[**] Term: **14 Years**

[21] Appl. No.: **713,342**

[22] Filed: **Jun. 10, 1991**

[52] U.S. Cl. **D13/155; D14/114**

[58] Field of Search **248/49, 56, 58, 65, 248/67.7, 71, 68.1; 361/428-429, 383, 390, 395; 52/220-221; D8/356; 174/68.1, 95, 101, 48; D14/114; D13/155**

4,828,340	5/1989	Jorgensen	312/7.1
4,934,764	6/1990	Leitermann et al.	312/111
4,937,708	6/1990	Bristoll	361/428 X
5,134,250	7/1992	Caveney et al.	174/101

FOREIGN PATENT DOCUMENTS

0222477	5/1987	European Pat. Off.	B25H 1/04
0299695	1/1989	European Pat. Off.	A47B 45/00
2257151	5/1974	Fed. Rep. of Germany	B25H 1/14
3201738A1	7/1983	Fed. Rep. of Germany	B25H 1/14
WO88/08243	10/1988	PCT Int'l Appl.	H05K 7/18
256683	9/1925	United Kingdom .	
2018587	5/1992	United Kingdom .	

Primary Examiner—Wallace R. Burke
Assistant Examiner—M. M. Tung
Attorney, Agent, or Firm—Lahive & Cockfield

[57] CLAIM

The ornamental design for a computer cable trough for routing computer cables between stacks of computer modules.

DESCRIPTION

FIG. 1 is a perspective view of a computer cable trough for routing computer cables between stacks of computer modules, on a reduced scale, the broken line drawings of stacks of computer modules are for illustrative purposes only and form no part of the claimed design;

FIG. 2 is a top plan view of the computer cable trough for routing computer cables between stacks of computer modules;

FIG. 3 is a bottom plan view of the computer cable trough for routing computer cables between stacks of computer modules;

FIG. 4 is a side elevational view thereof, on an enlarged scale, showing the wider central wall portion, the opposite side being identical;

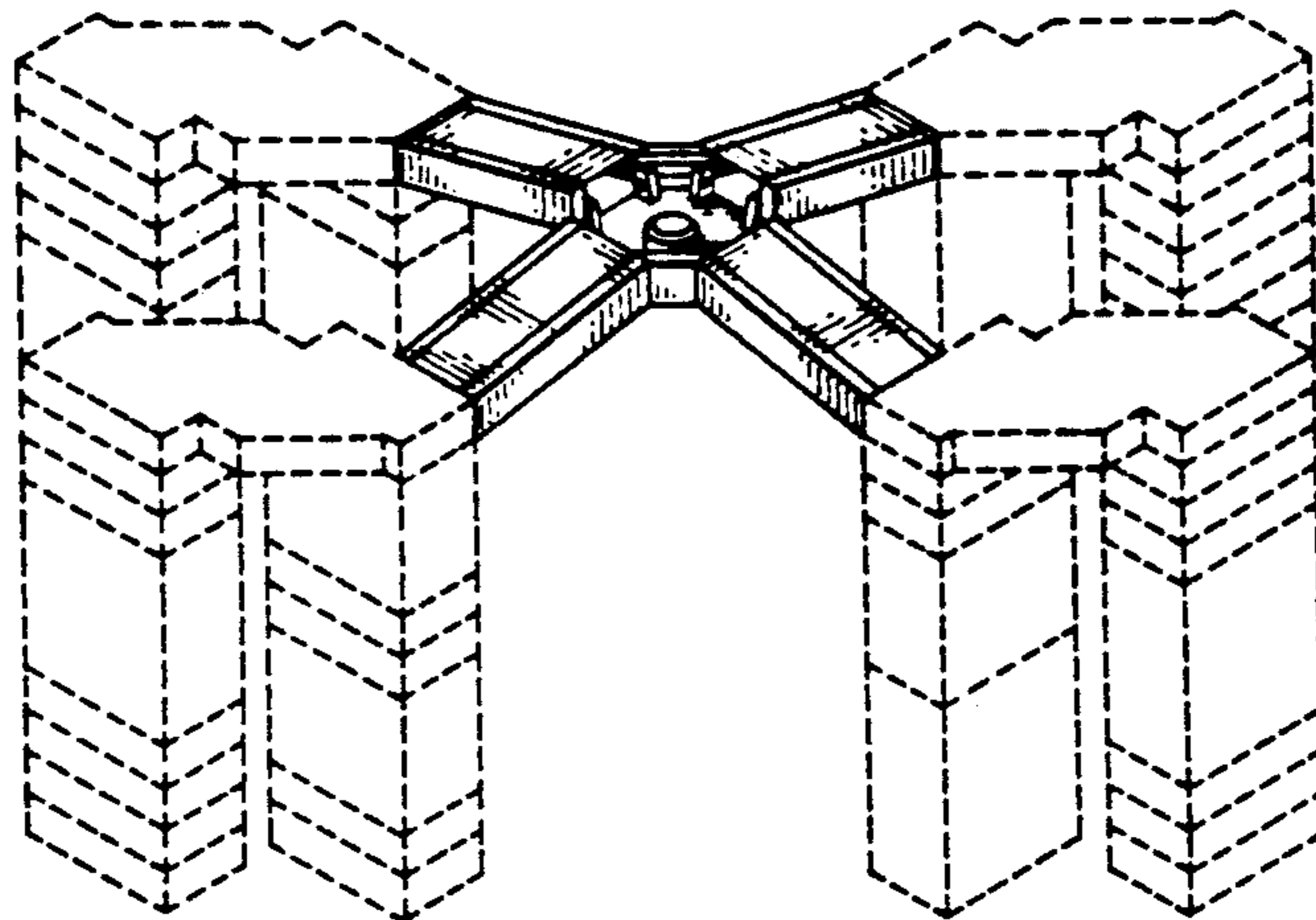
FIG. 5 is a front elevational view thereof, on an enlarged scale, showing the narrower central wall portion, the rear elevational view being identical; and,

FIG. 6 is a side elevational view thereof, on an enlarged scale, from the view point of one of the legs the view from all the legs, being identical.

References Cited

U.S. PATENT DOCUMENTS

D. 171,106	12/1953	Sandborg	D64/11
D. 186,943	12/1959	La Due	D26/5
D. 204,456	4/1966	Mason	D8/356
D. 295,512	5/1988	Becraft et al.	D14/52
D. 307,747	5/1990	Garmon et al.	D14/102
D. 316,511	4/1991	White, Jr.	D8/356 X
D. 324,376	3/1992	Leitermann et al.	D14/102
D. 329,374	9/1992	Kaga	D8/356 X
D. 330,193	10/1992	Zorndorf	D13/155
1,252,816	1/1918	Kuehl .	
3,032,381	5/1962	Boro	312/111
3,351,699	11/1967	Merckle	174/101 X
3,506,322	4/1970	Richards	312/108
3,592,956	7/1971	Fork	174/101 X
3,754,805	8/1973	Pangburn et al.	312/111
3,927,623	12/1975	Caron	52/221 X
3,955,863	5/1976	Yellin	312/257
4,056,295	11/1977	Downing	312/107
4,070,075	1/1978	Morgan	312/250
4,145,853	3/1979	Bridwell	52/221
4,301,636	11/1981	Luria	52/584
4,679,867	7/1987	Heldenbrand et al.	312/287
4,773,196	9/1988	Yoshida et al.	52/221



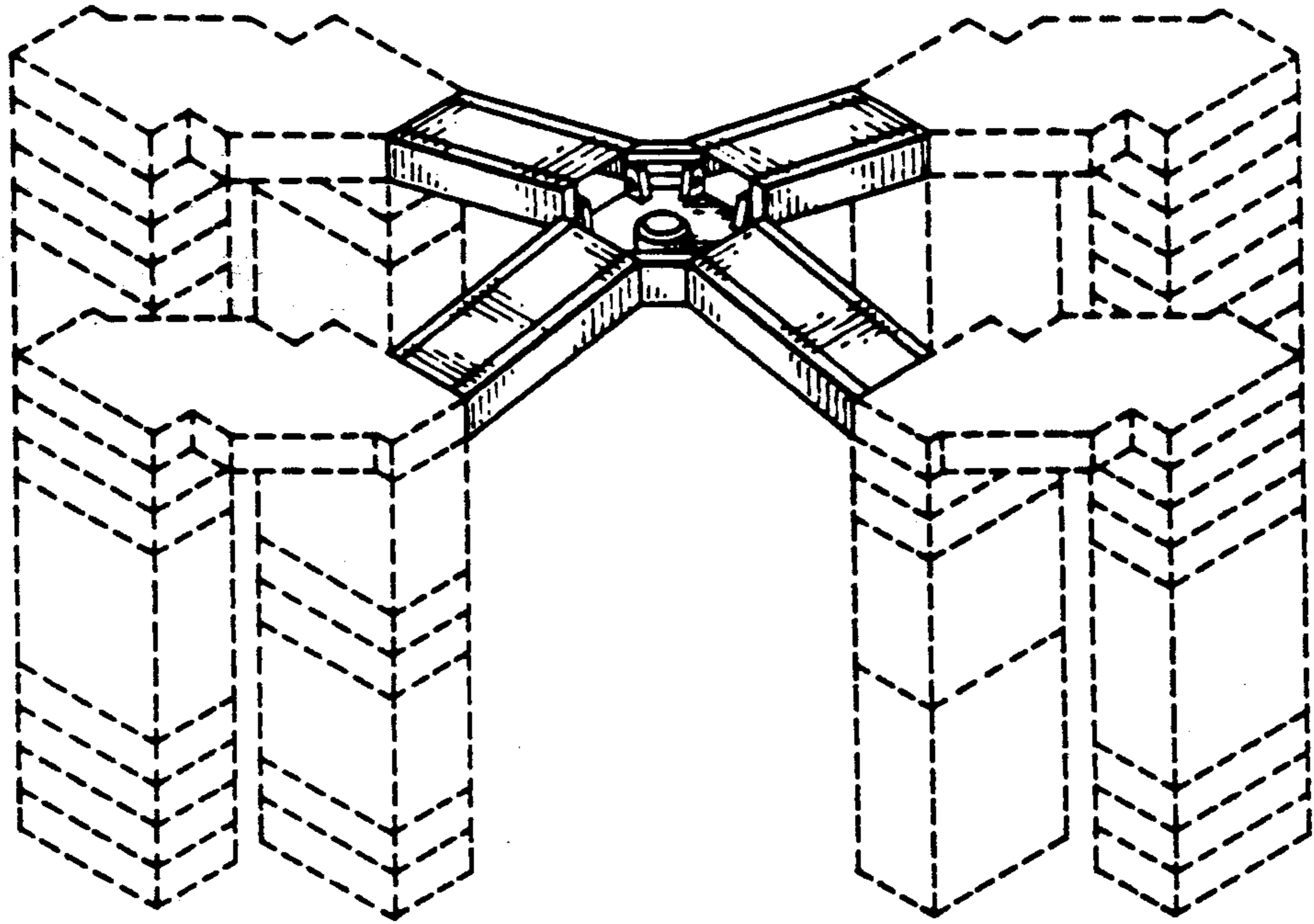


FIG. 1

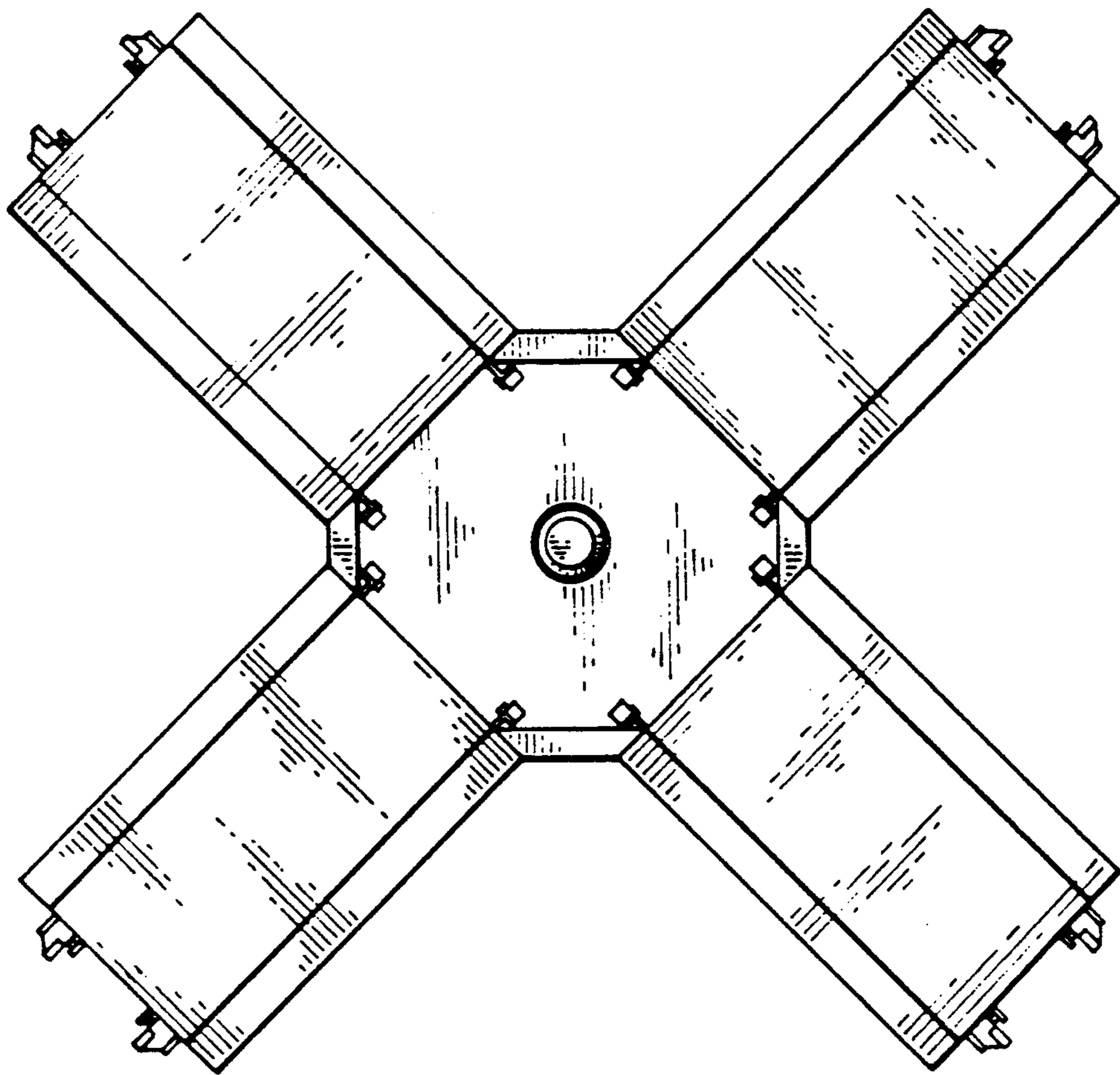


FIG. 2

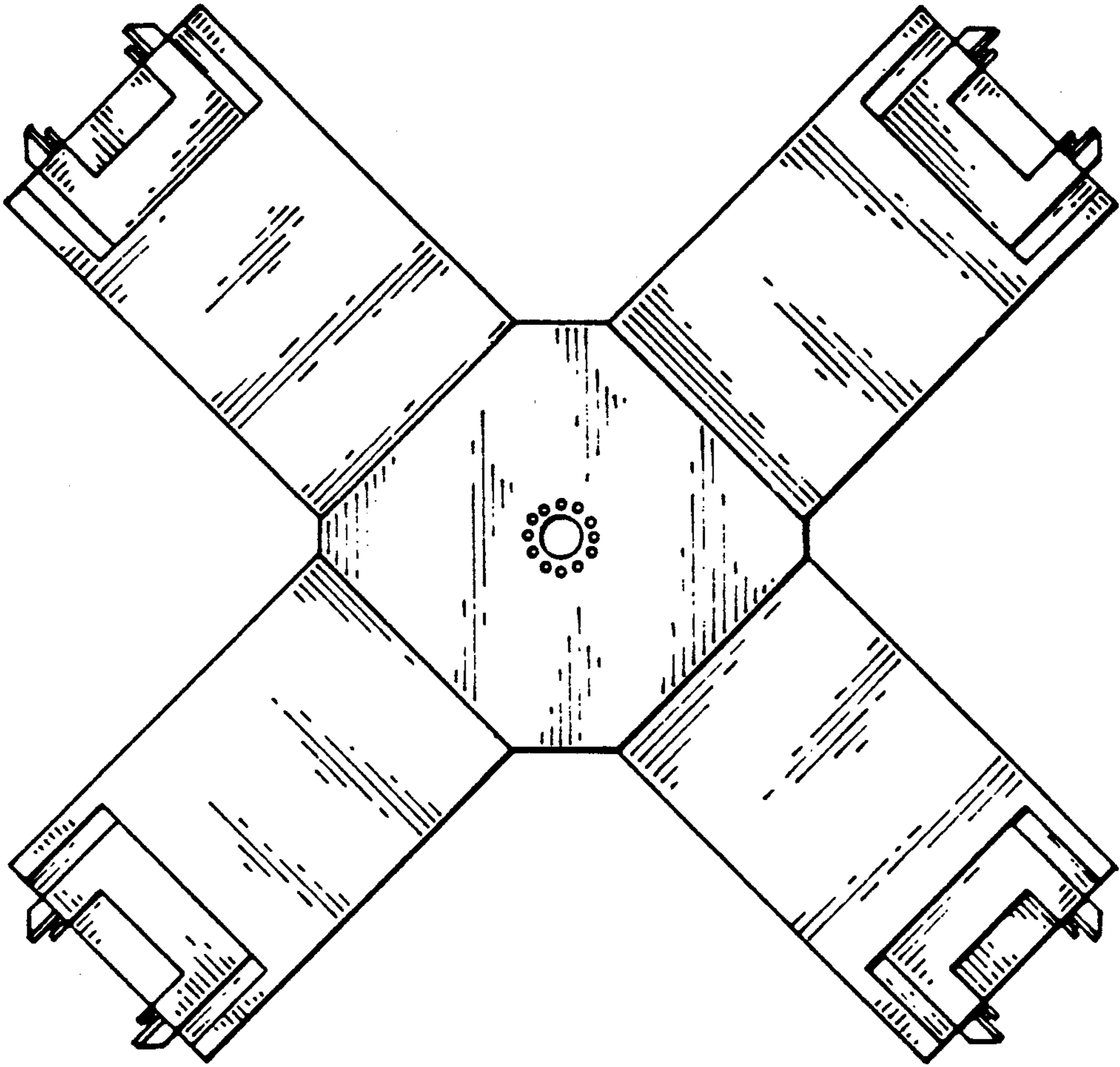


FIG. 3

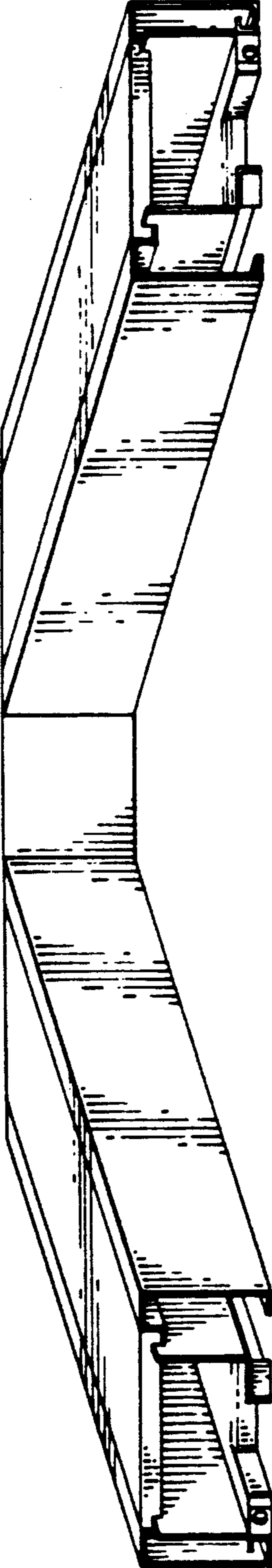


FIG. 4

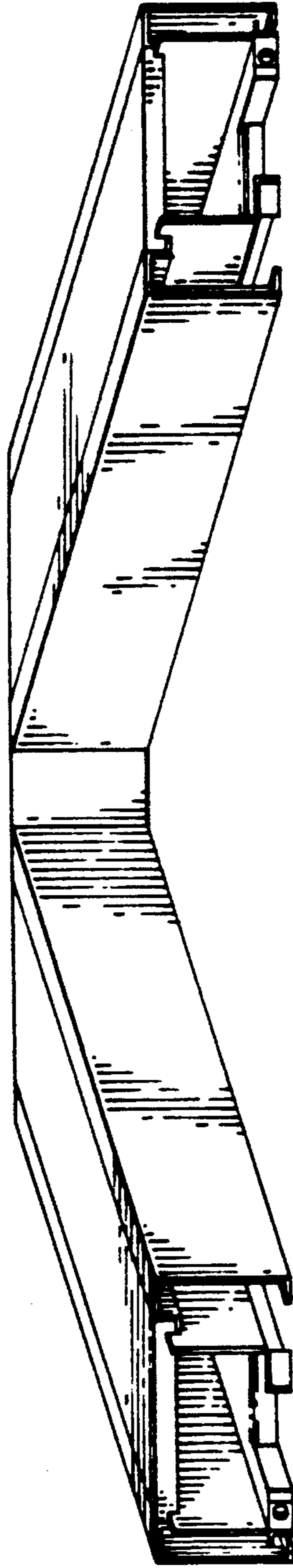


FIG. 5



FIG. 6