



US00D343827S

# United States Patent [19]

[11] Patent Number: **Des. 343,827**

**Piret**

[45] Date of Patent: **\*\* Feb. 1, 1994**

[54] **TELECONTROL PANEL FOR HOUSEHOLD CIRCUITRY**

[75] Inventor: **Philippe Piret, Ifs, France**

[73] Assignee: **Moulinex Societe Anonyme, Bagnolet, France**

[\*\*] Term: **14 Years**

[21] Appl. No.: **882,634**

[22] Filed: **May 13, 1992**

[30] **Foreign Application Priority Data**

Nov. 13, 1991 [FR] France ..... 917049

[52] U.S. Cl. .... **D13/164**

[58] Field of Search ..... 235/145 R; 200/1 R, 200/5 R; D13/162, 164; D14/159, 218, 240; D10/106

[56] **References Cited**

**U.S. PATENT DOCUMENTS**

- D. 255,032 5/1980 Maddock ..... D14/159
- D. 283,406 4/1986 Green, Jr. .... D10/106
- D. 305,211 12/1989 Horn ..... D13/164 X

- D. 310,791 9/1990 Farrell et al. .... D10/106
- D. 312,221 11/1990 Steele et al. .... D10/106
- D. 315,315 3/1991 Stairs, Jr. .... D13/162 X
- D. 316,549 4/1991 Hampf ..... D14/159
- D. 326,619 6/1992 Soloway ..... D10/106

*Primary Examiner*—Wallace R. Burke  
*Assistant Examiner*—Joel Sincavage  
*Attorney, Agent, or Firm*—Young & Thompson

[57] **CLAIM**

The ornamental design for a telecontrol panel for household circuitry, as shown.

**DESCRIPTION**

FIG. 1 is a perspective view of a telecontrol panel for household circuitry, showing my new design; FIG. 2 is a front elevational view thereof; FIG. 3 is a rear elevational view thereof; FIG. 4 is a side elevational view thereof from the left of FIG. 2; FIG. 5 is a side elevational view thereof from the right of FIG. 2; FIG. 6 is a top plan view thereof; and, FIG. 7 is a bottom plan view thereof.

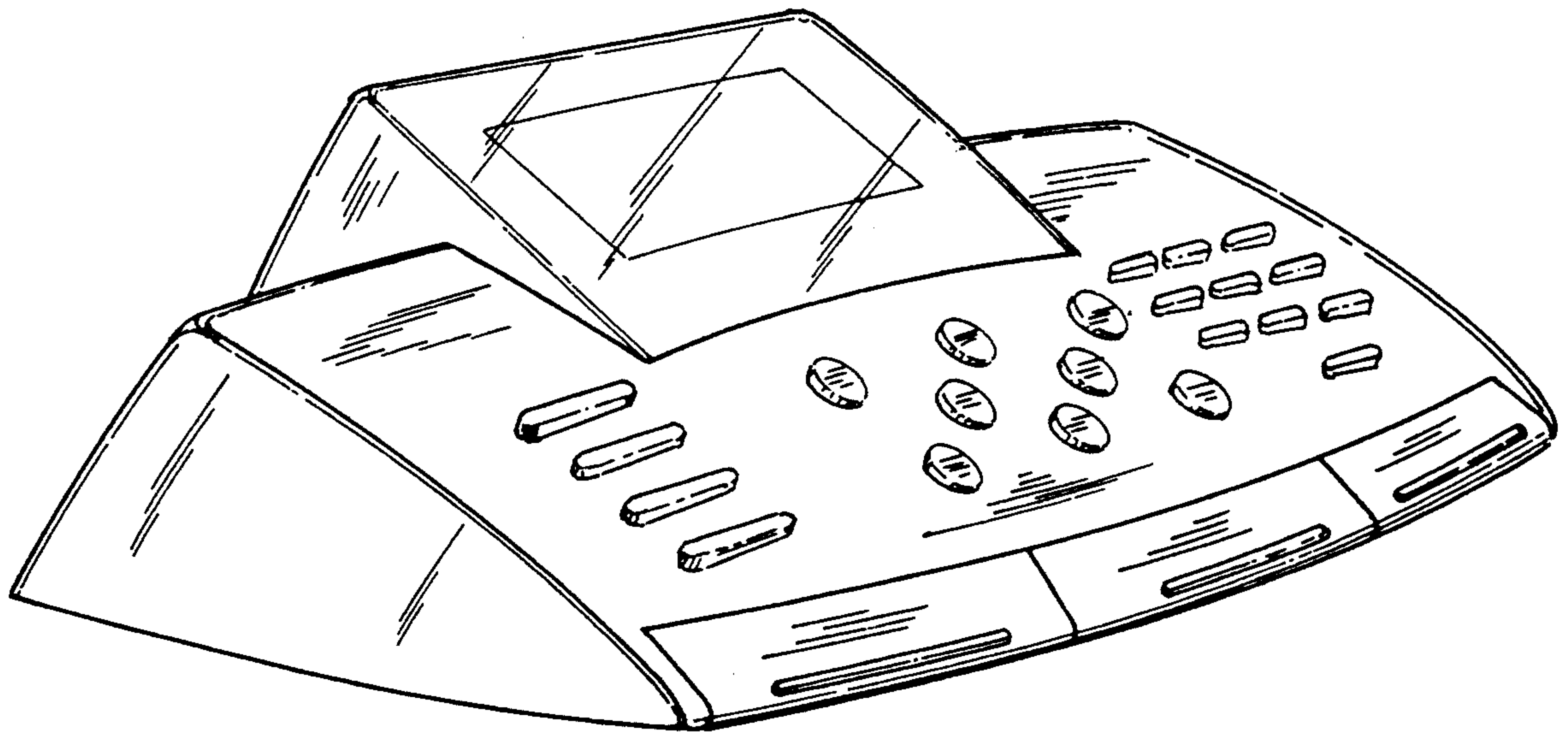


FIG. 1

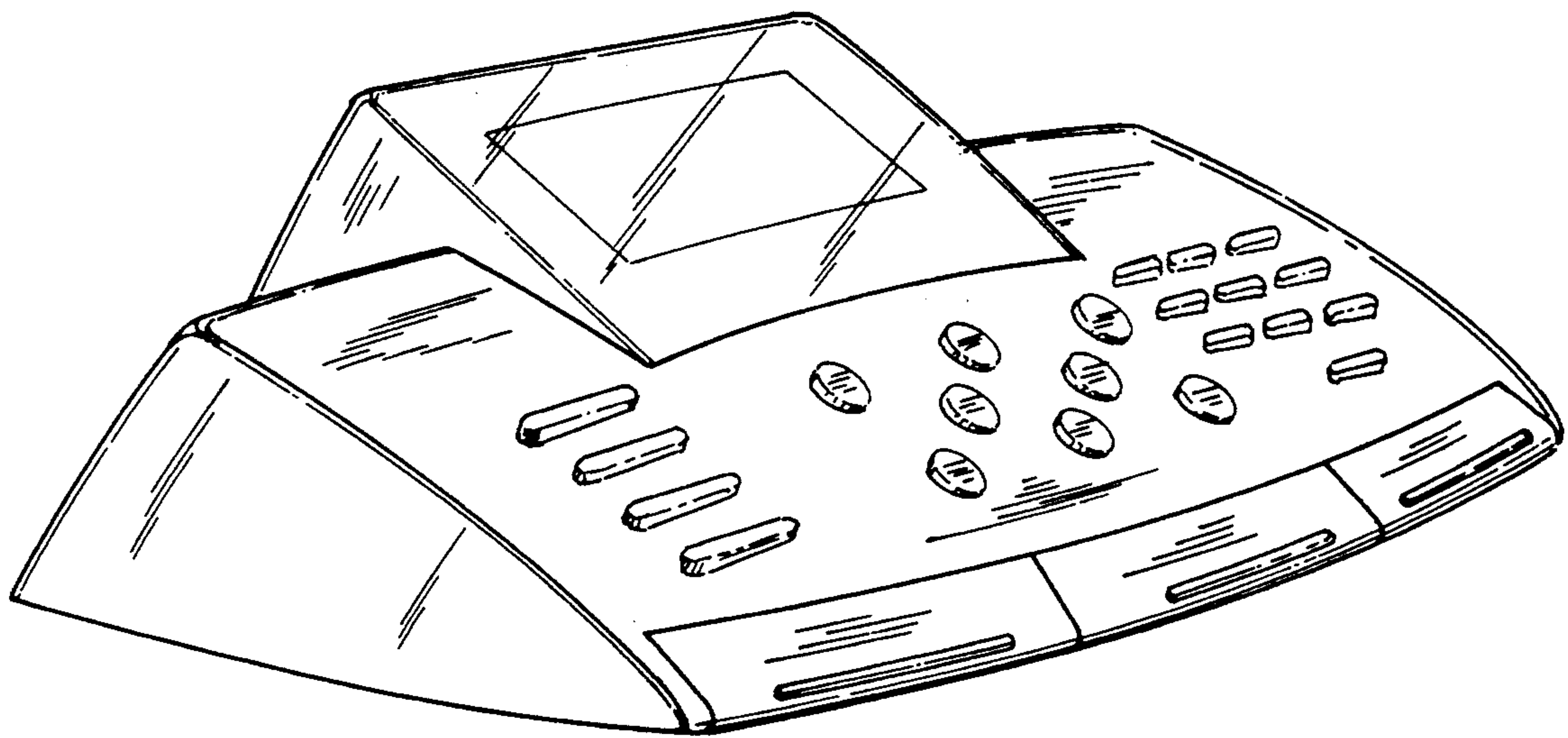


FIG. 2

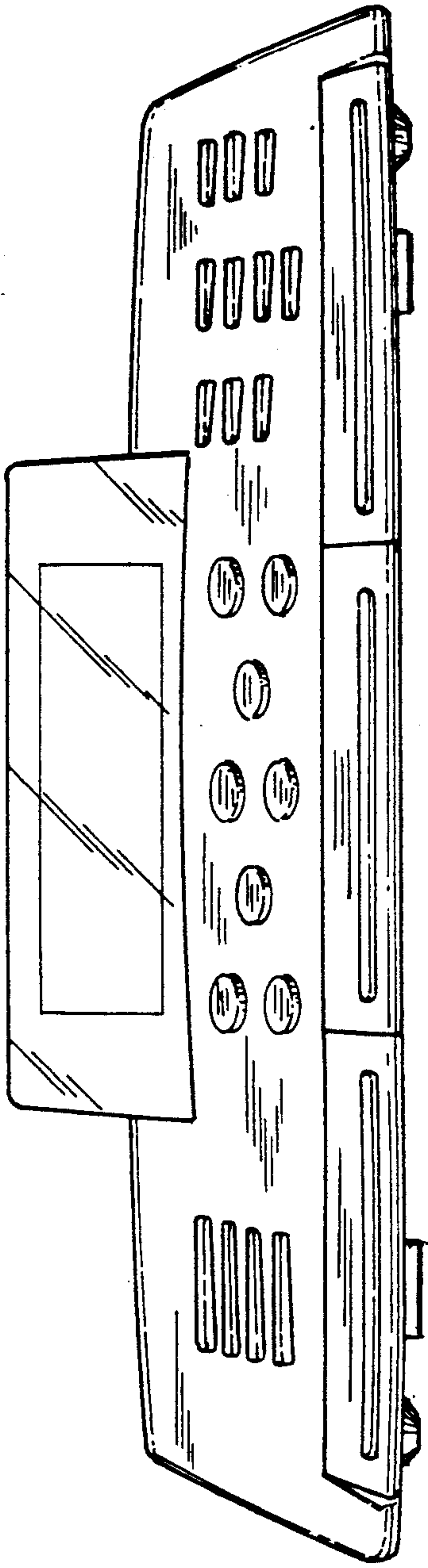


FIG. 3

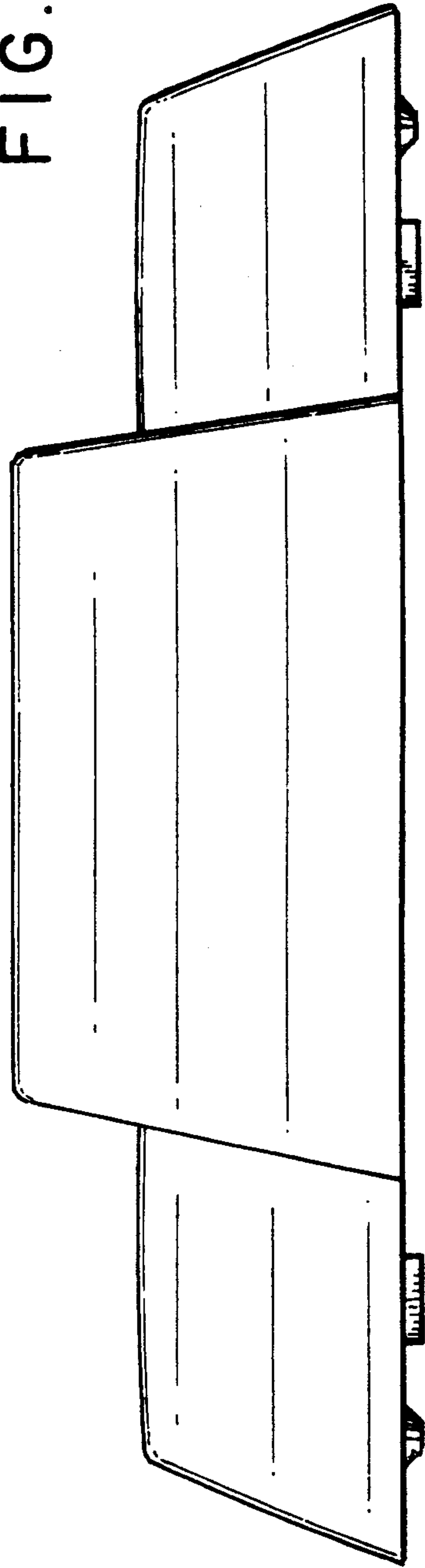


FIG. 4

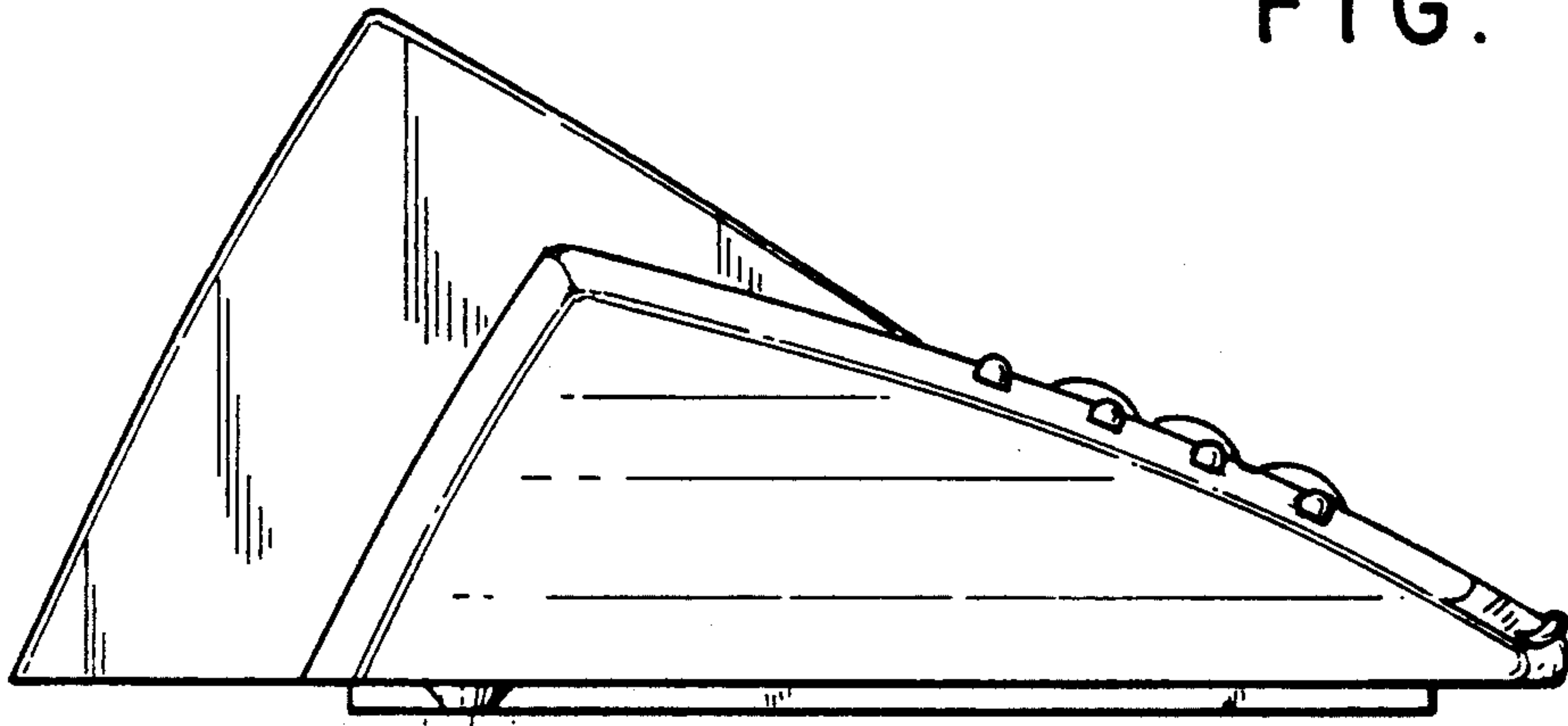


FIG. 5

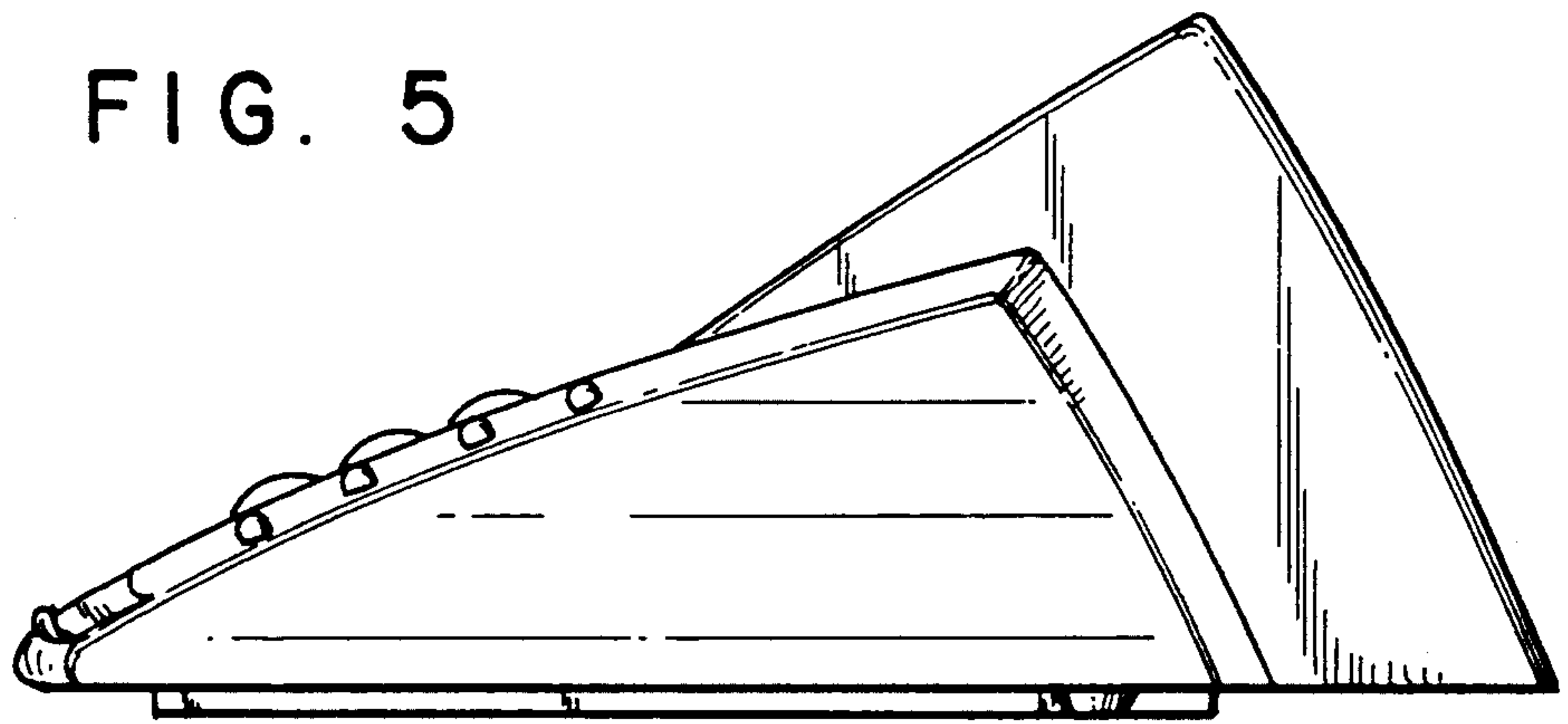


FIG. 6

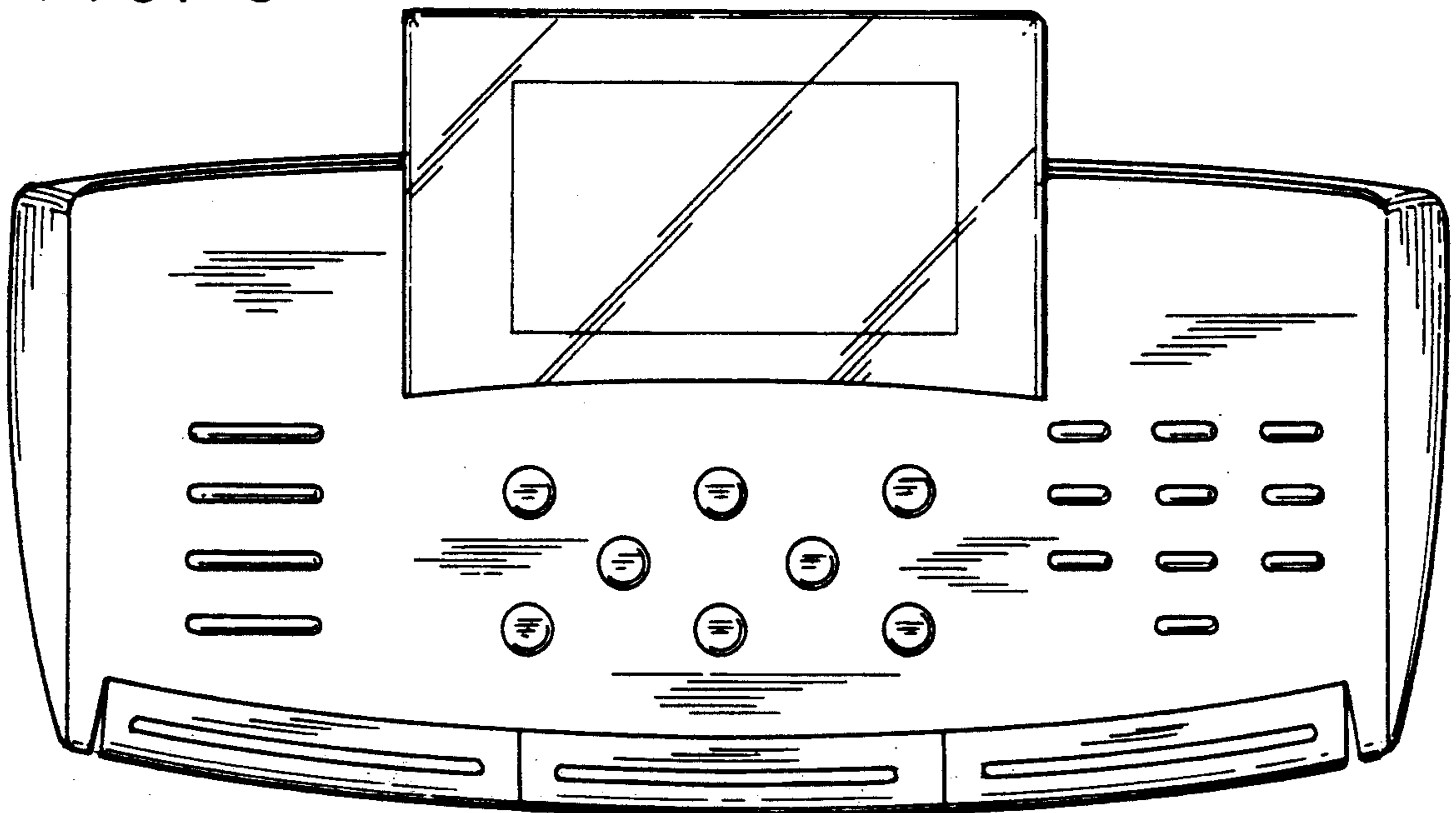


FIG. 7

