



US00D343825S

# United States Patent [19]

[11] Patent Number: Des. 343,825

Enderby

[45] Date of Patent: \*\* Feb. 1, 1994

- [54] COMBINED ELECTRICAL BOX AND MOUNTING BLOCK THEREFOR
- [76] Inventor: Timothy Enderby, 402 E. Oak Orchard St., Medina, N.Y. 14103
- [\*\*] Term: 14 Years
- [21] Appl. No.: 748,058
- [22] Filed: Aug. 21, 1991
- [52] U.S. Cl. .... D13/152
- [58] Field of Search ..... 174/52.1, 53, 55, 56, 174/58; 220/3.2, 3.3, 3.4, 3.5; 439/535; D13/152

- 0849262 9/1952 Fed. Rep. of Germany ..... 439/535
- 1101666 2/1954 France .
- 1346039 1/1963 France .
- 2018049 10/1979 United Kingdom ..... 174/53

### OTHER PUBLICATIONS

800A station wire box on p. 86 of 1987 AT&T catalog.

Primary Examiner—Wallace R. Burke  
 Assistant Examiner—J. Sincavage  
 Attorney, Agent, or Firm—Terry M. Gernstein

### [57] CLAIM

The ornamental design for a combined electrical box and mounting block therefor, as shown and described.

### DESCRIPTION

FIG. 1 is a perspective view of the combined electrical box and mounting block therefor embodying the design of the present invention;  
 FIG. 2 is a front elevational view thereof, the rear being a mirror image of the front shown in FIG. 2;  
 FIG. 3 is a left side elevational view thereof;  
 FIG. 4 is a right side elevational view thereof;  
 FIG. 5 is a top plan view thereof, the bottom view being a mirror image of the top view shown in FIG. 5; and,  
 FIG. 6 is a rear and lower left perspective view thereof.

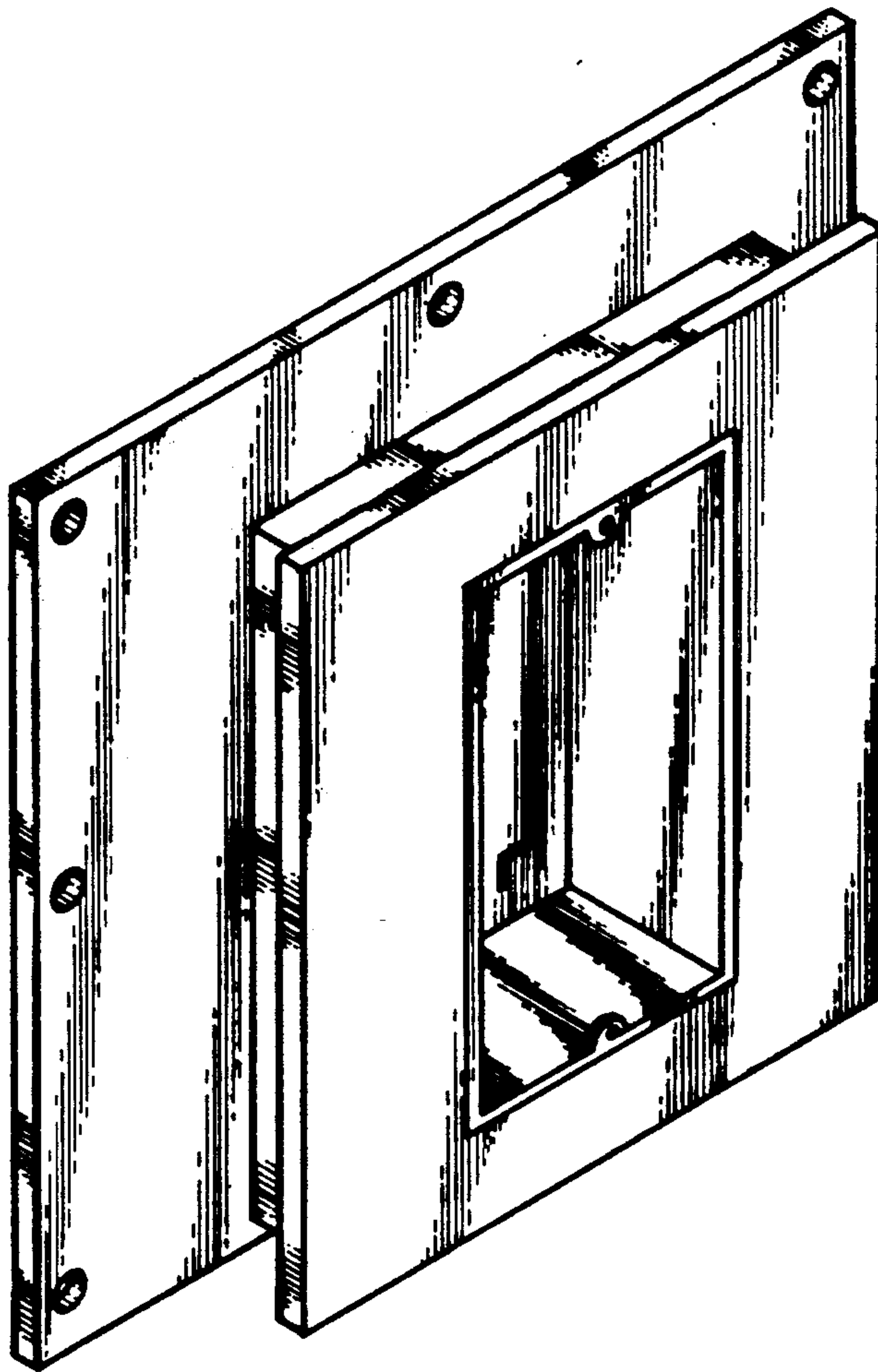
### [56] References Cited

#### U.S. PATENT DOCUMENTS

- 3,619,476 11/1971 Rasmussen ..... 174/53 X
- 4,134,636 1/1979 Kleinatland et al. .... 174/58 X
- 4,590,544 5/1986 Decandia ..... 362/147
- 4,673,097 6/1987 Schuldt ..... 220/3.2 X
- 4,724,281 2/1988 Nix et al. .... 174/65 R X
- 4,731,711 3/1988 Engel ..... 362/147
- 4,829,410 5/1989 Patel ..... 362/147

#### FOREIGN PATENT DOCUMENTS

- 1272793 8/1990 Canada ..... 174/53



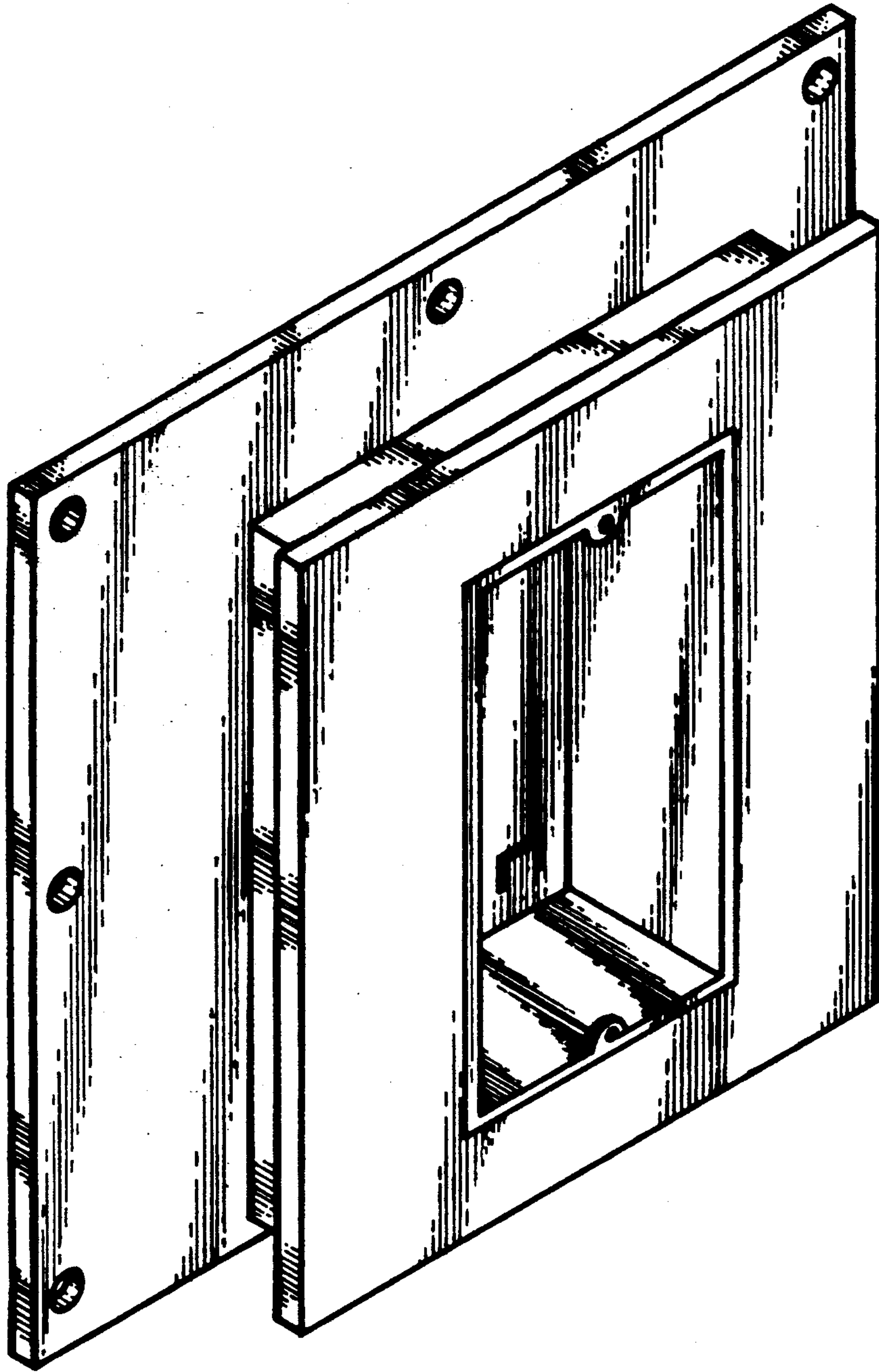


FIG.1

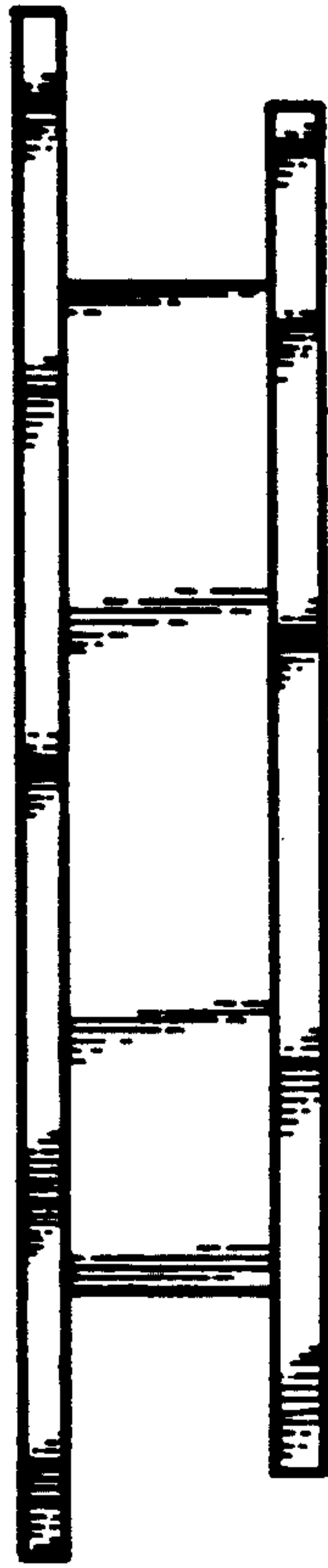


FIG. 2

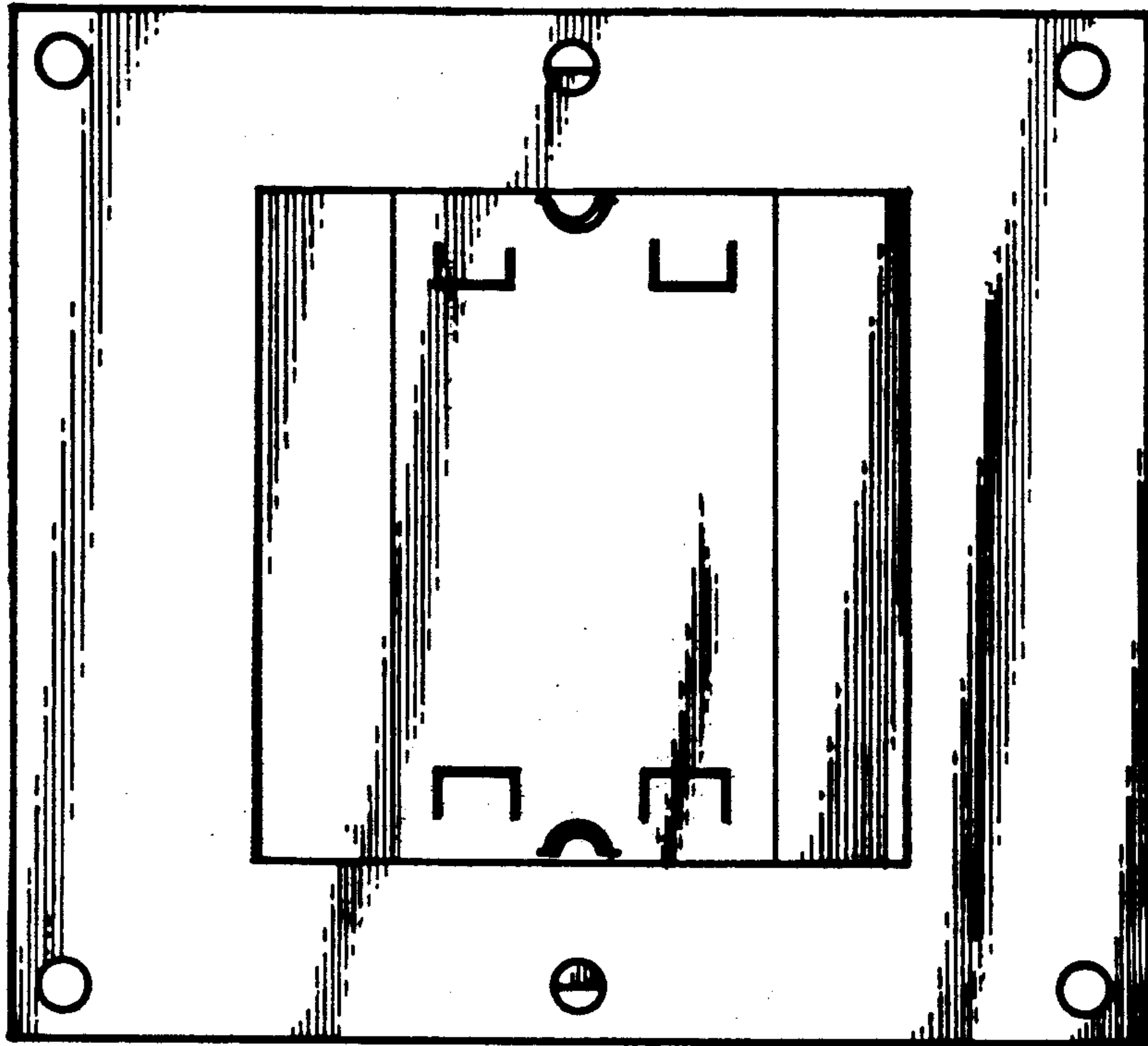


FIG. 3

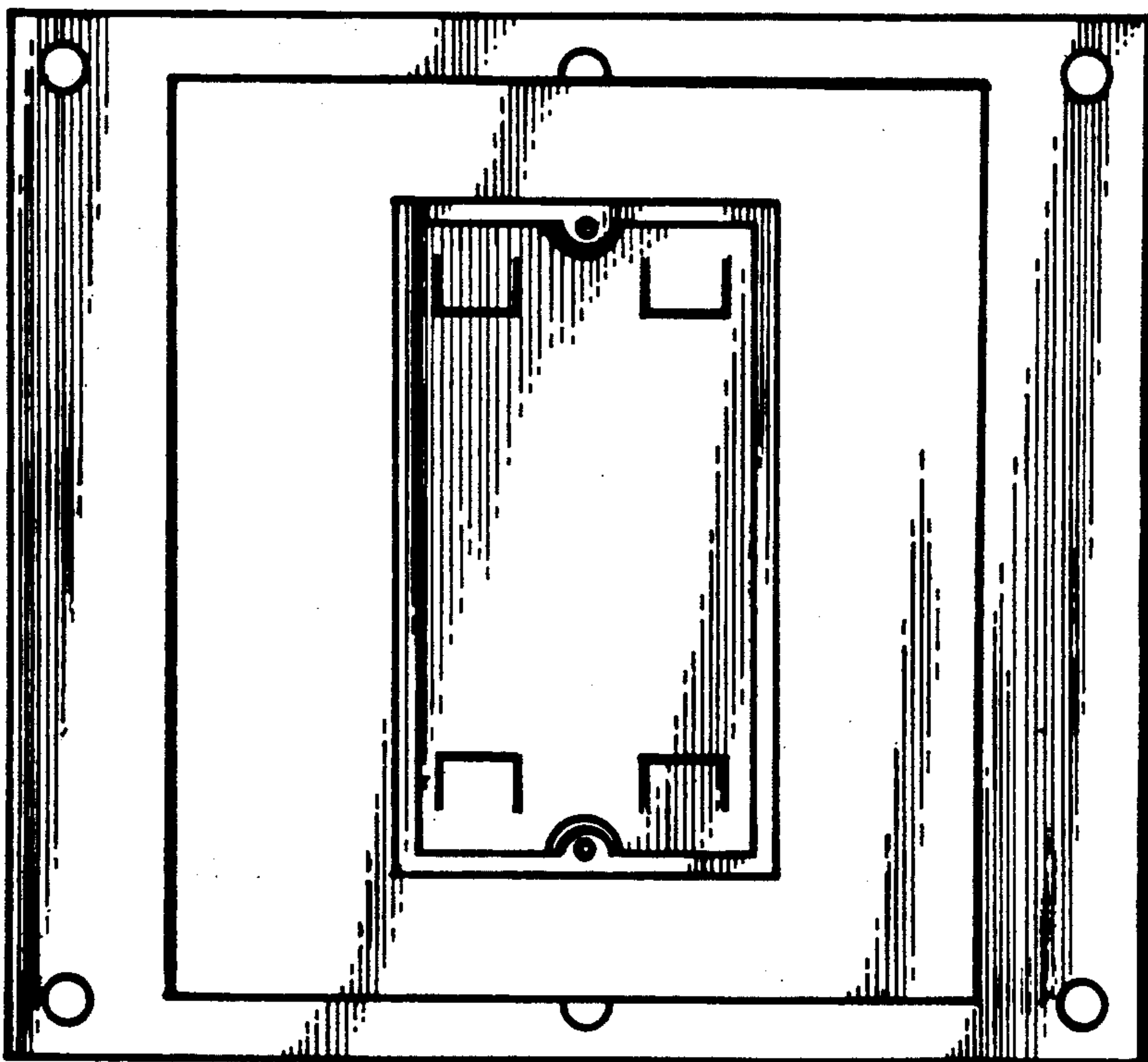


FIG. 4



FIG. 5



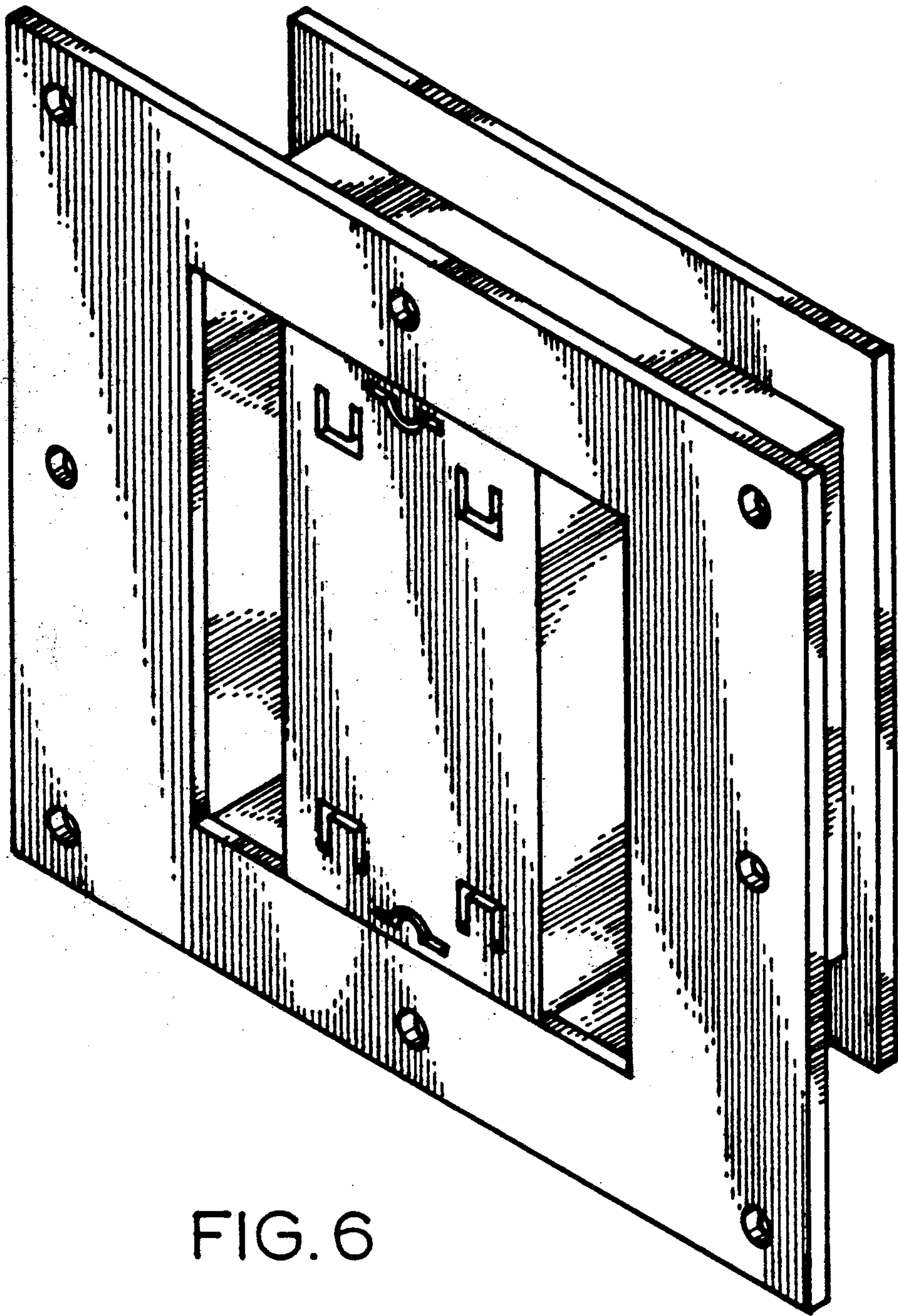


FIG. 6