



US00D343824S

United States Patent [19]
Halwes

[11] **Patent Number: Des. 343,824**
[45] **Date of Patent: ** Feb. 1, 1994**

- [54] **EXTERNAL HOIST FOR A HELICOPTER**
- [75] **Inventor: Dennis Halwes, Arlington, Tex.**
- [73] **Assignee: Aeronautical Accessories, Inc.,
Bristol, Tenn.**
- [**] **Term: 14 Years**
- [21] **Appl. No.: 3,125**
- [22] **Filed: Dec. 29, 1992**
- [52] **U.S. Cl. D12/345; D34/33;
D34/28**
- [58] **Field of Search 244/137.4, 118.1, 118.2;
294/81.1; D12/345; D34/28, 33, 35**
- [56] **References Cited**
U.S. PATENT DOCUMENTS
3,904,156 9/1975 Smith 244/118.1

4,695,012	9/1987	Lindenbaum	244/137.4
4,984,757	1/1991	Hartung et al.	244/137.4
5,169,197	12/1992	Underbakke et al.	244/137.4

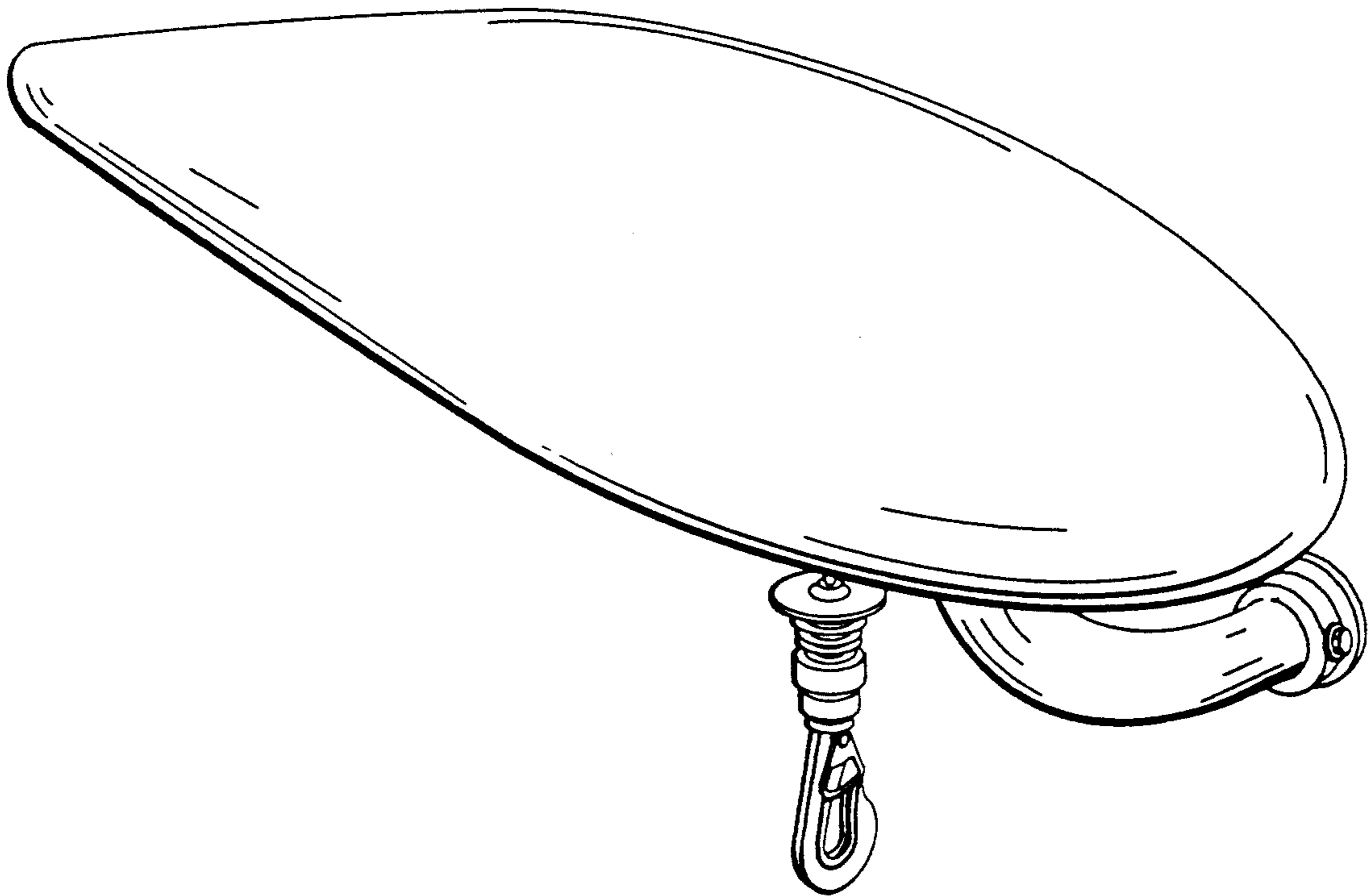
Primary Examiner—Kay H. Chin
Attorney, Agent, or Firm—Jones & Askew

[57] **CLAIM**

The ornamental design for an external hoist for a helicopter, as shown and described.

DESCRIPTION

FIG. 1 is a perspective view of my new external hoist for a helicopter;
FIG. 2 is a side view thereof;
FIG. 3 is a back view thereof;
FIG. 4 is a front view thereof;
FIG. 5 is a rear view thereof;
FIG. 6 is a top view thereof; and,
FIG. 7 is a bottom view thereof.



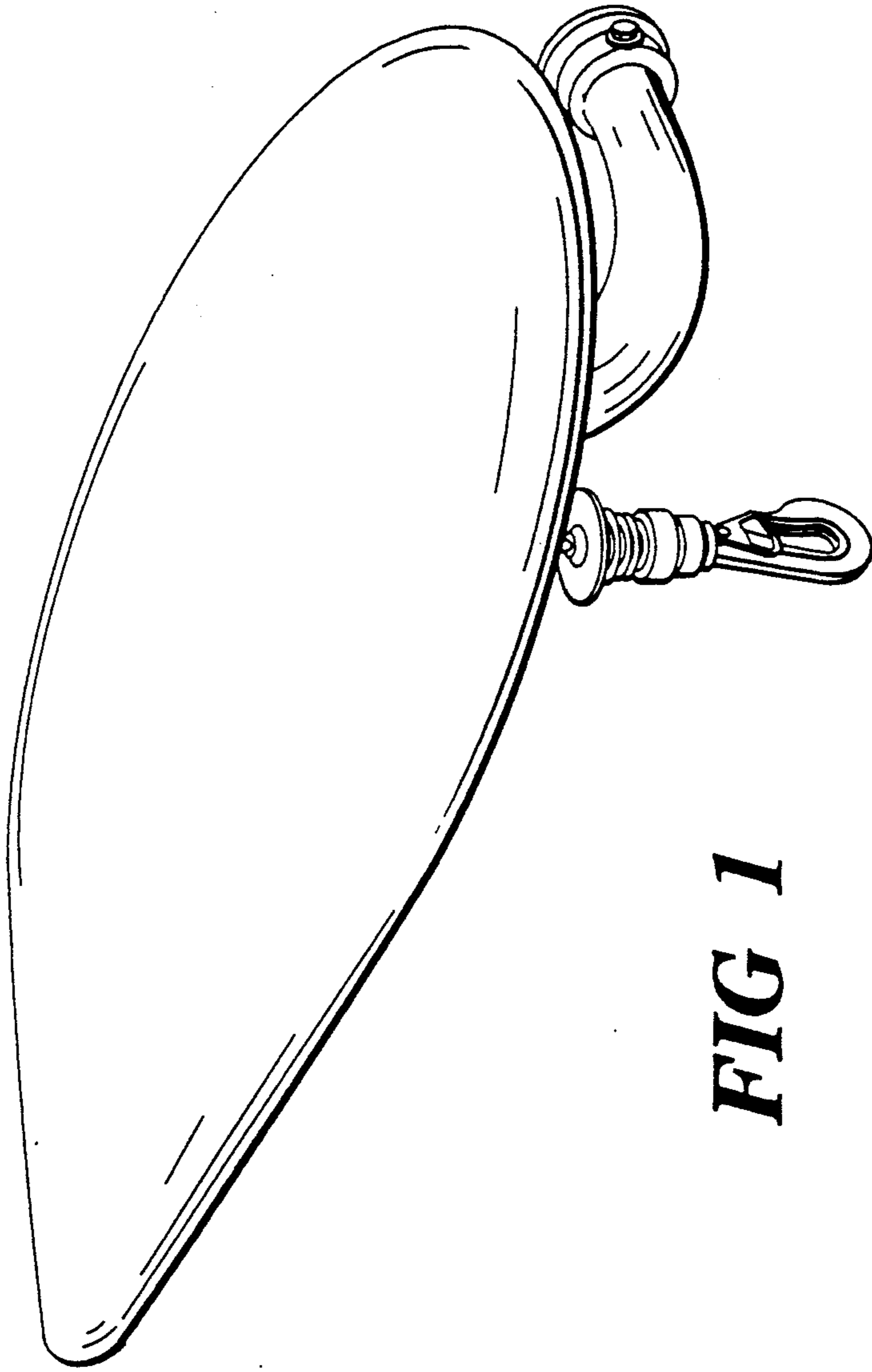


FIG 1

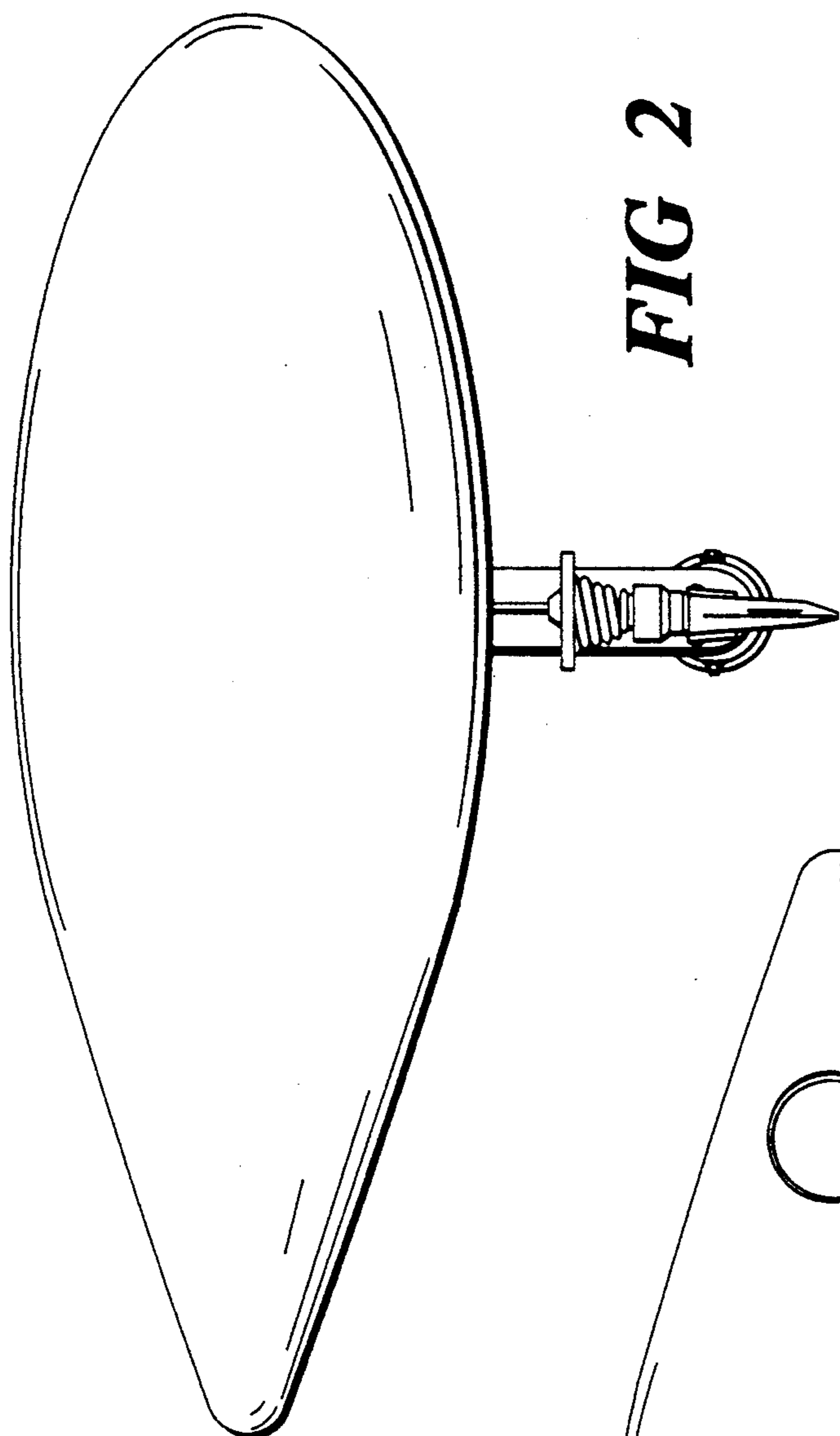


FIG 2

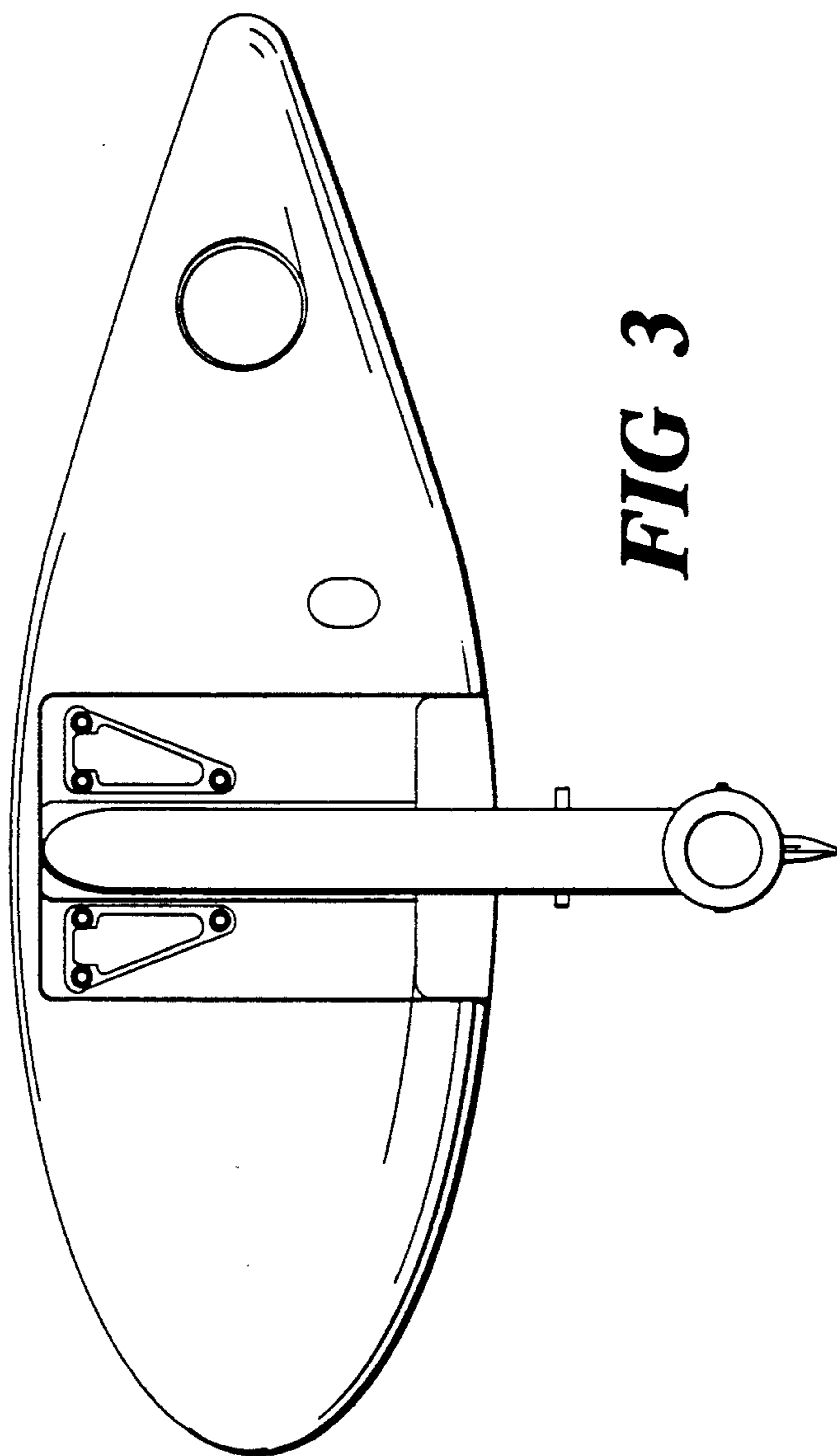


FIG 3

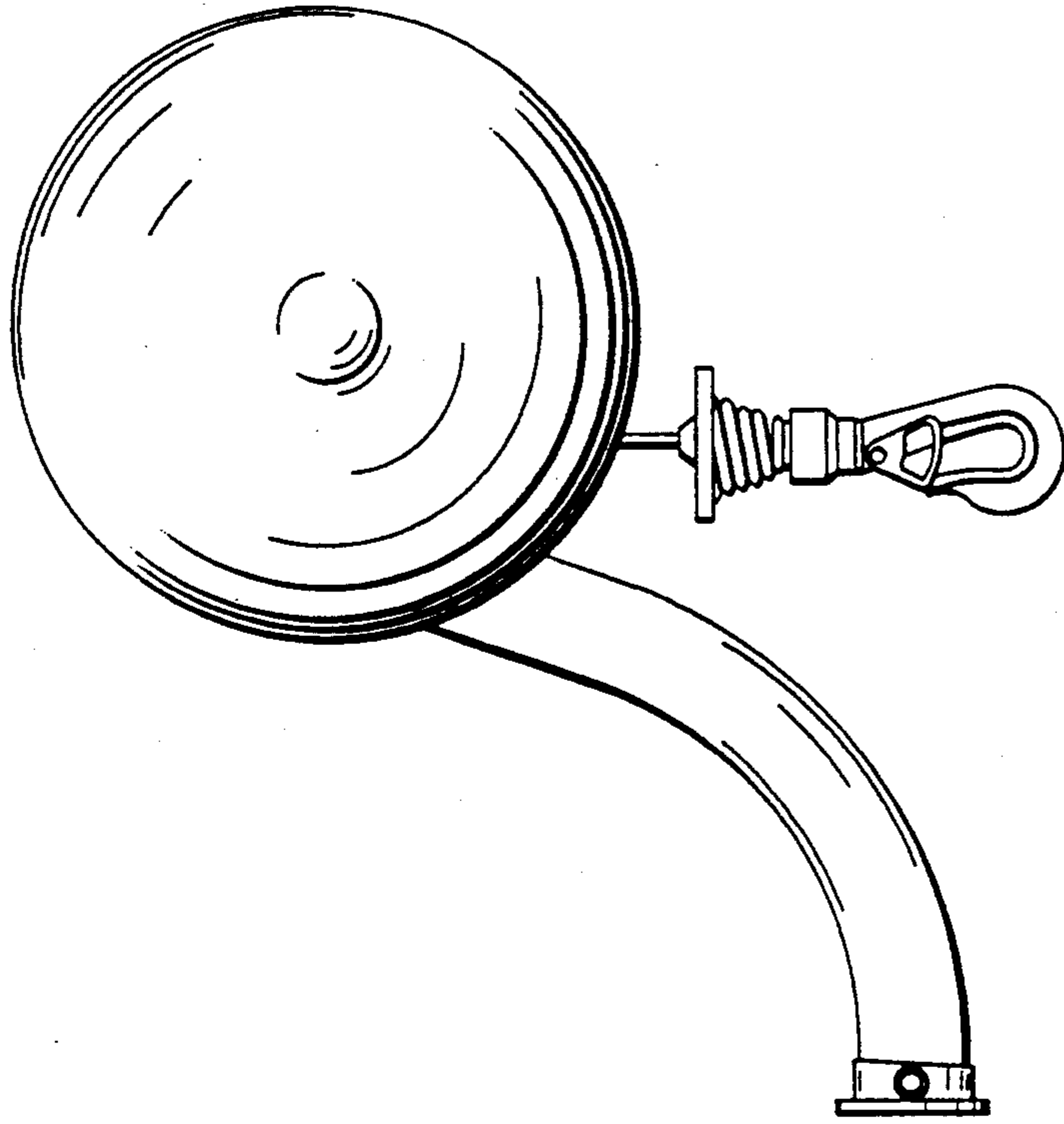


FIG 5

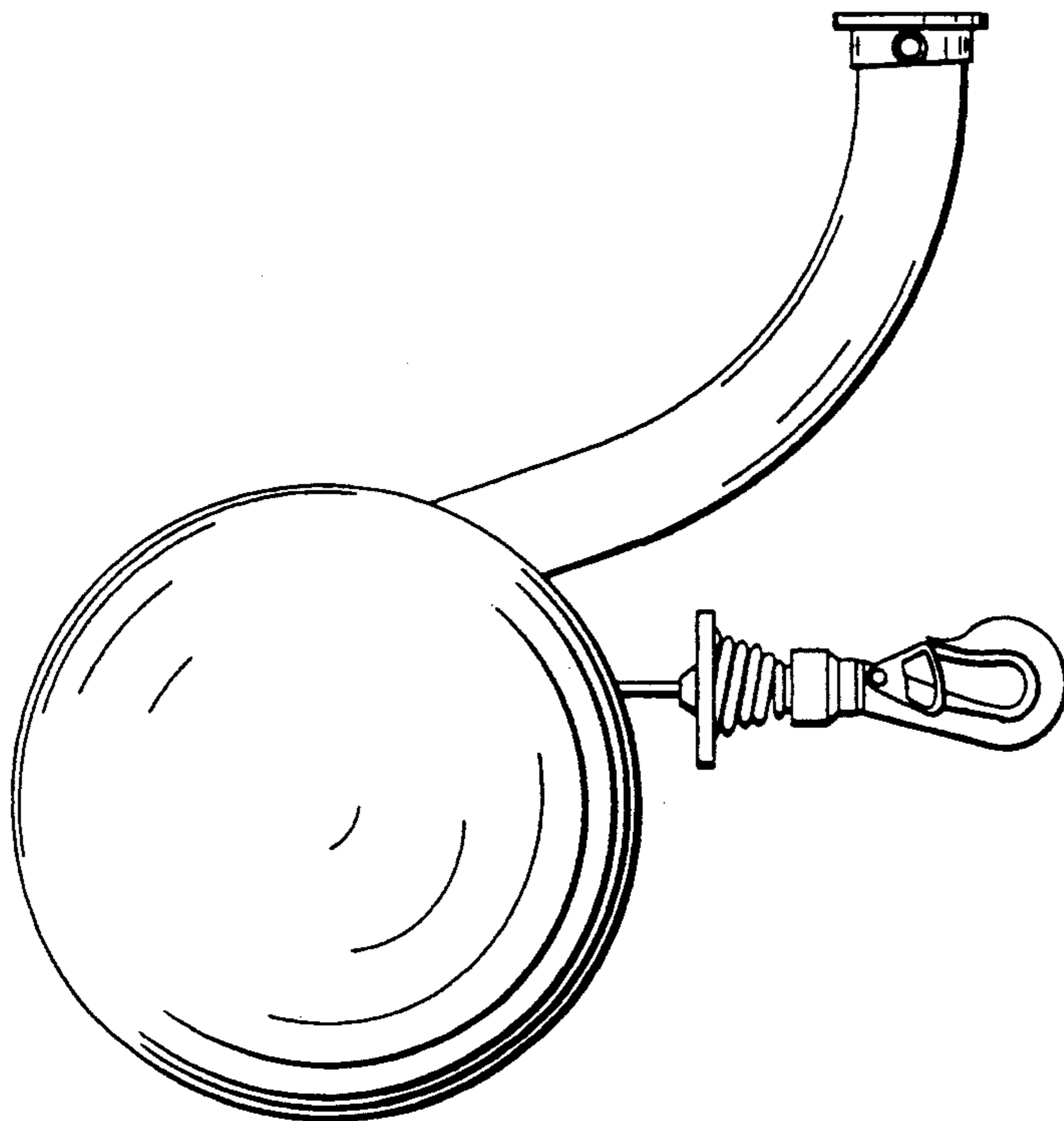


FIG 4

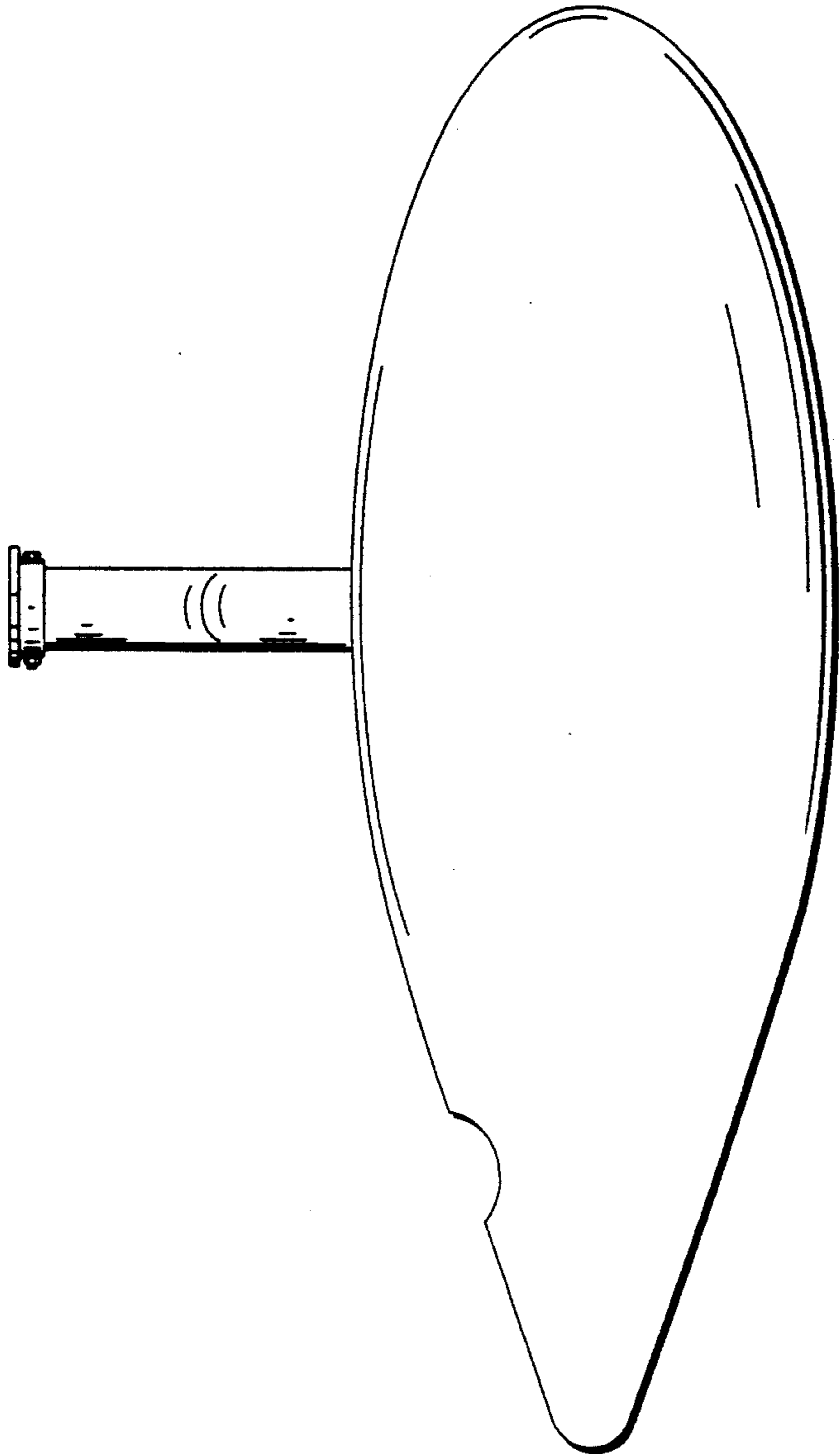


FIG 6

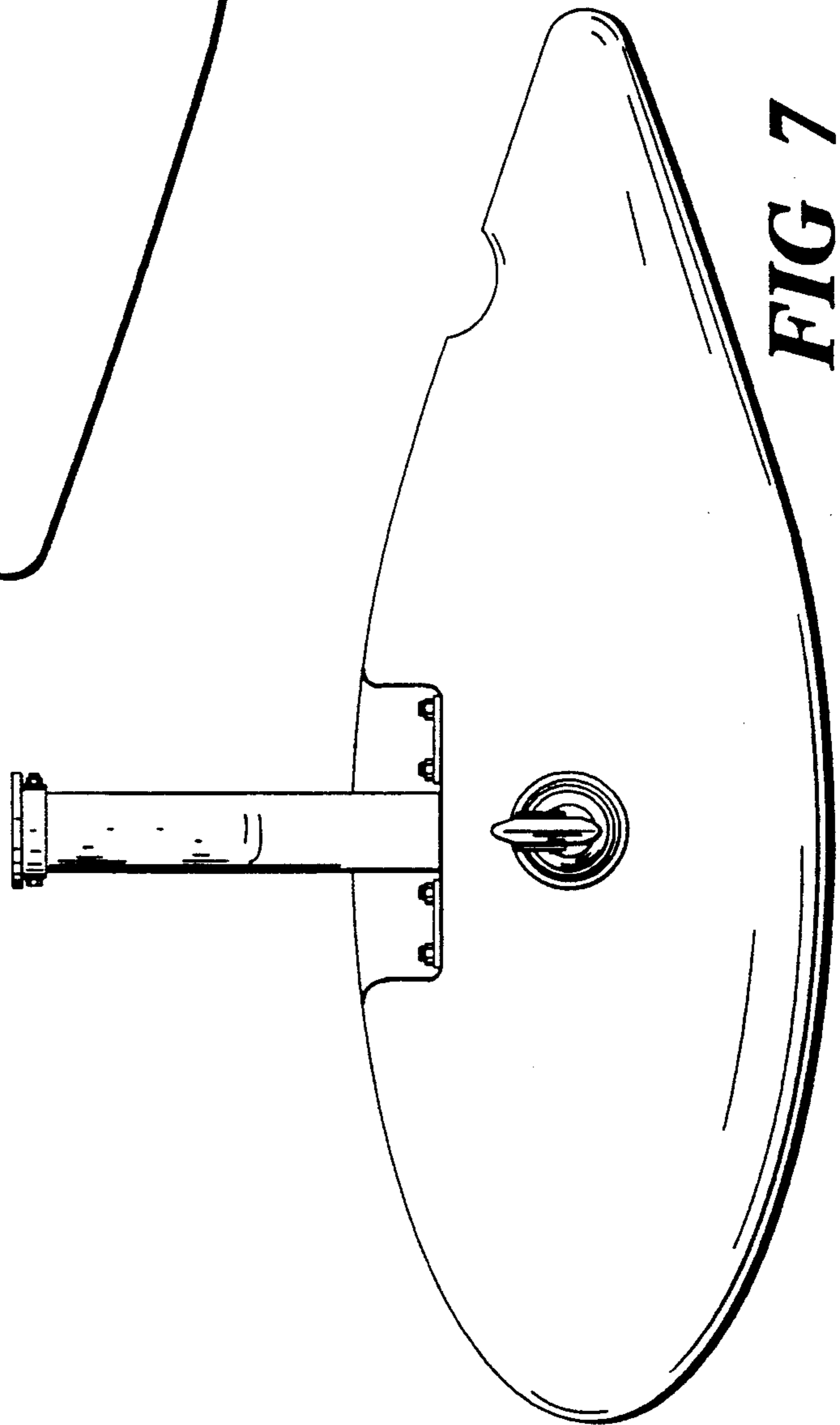


FIG 7