



US00D343823S

United States Patent [19]

[11] Patent Number: **Des. 343,823**

Potter

[45] Date of Patent: **** Feb. 1, 1994**

[54] **ROTATABLE BOAT HATCH COVER**

[57] **CLAIM**

[76] Inventor: **Lawrence B. Potter**, East End Post Office, Tortola, British Virgin Isls.

The ornamental design of a rotatable boat hatch cover as shown and described.

[**] Term: **14 Years**

DESCRIPTION

[21] Appl. No.: **948,736**

[22] Filed: **Sep. 14, 1992**

[52] U.S. Cl. **D12/318; D12/317**

[58] Field of Search **114/201, 364, 363; D12/317, 318**

FIG. 1 is a top perspective view of a rotatable boat hatch cover showing my new design with cover closed; FIG. 2 is a top perspective view of the rotatable boat hatch cover with the cover lifted; FIG. 3 is a front perspective view of the lifted rotatable boat hatch cover; FIG. 4 is a side elevational view of the lifted rotatable boat hatch cover; FIG. 5 is a rear elevational view of the lifted rotatable boat hatch cover; FIG. 6 is a front elevational view of a rotatable boat hatch cover; FIG. 7 is a front elevational view with the rotatable boat hatch cover closed; and, FIG. 8 is a side elevational view of a rotatable boat hatch cover and an open cover and an illustration of its use upon a phantom boat showing.

[56] **References Cited**

U.S. PATENT DOCUMENTS

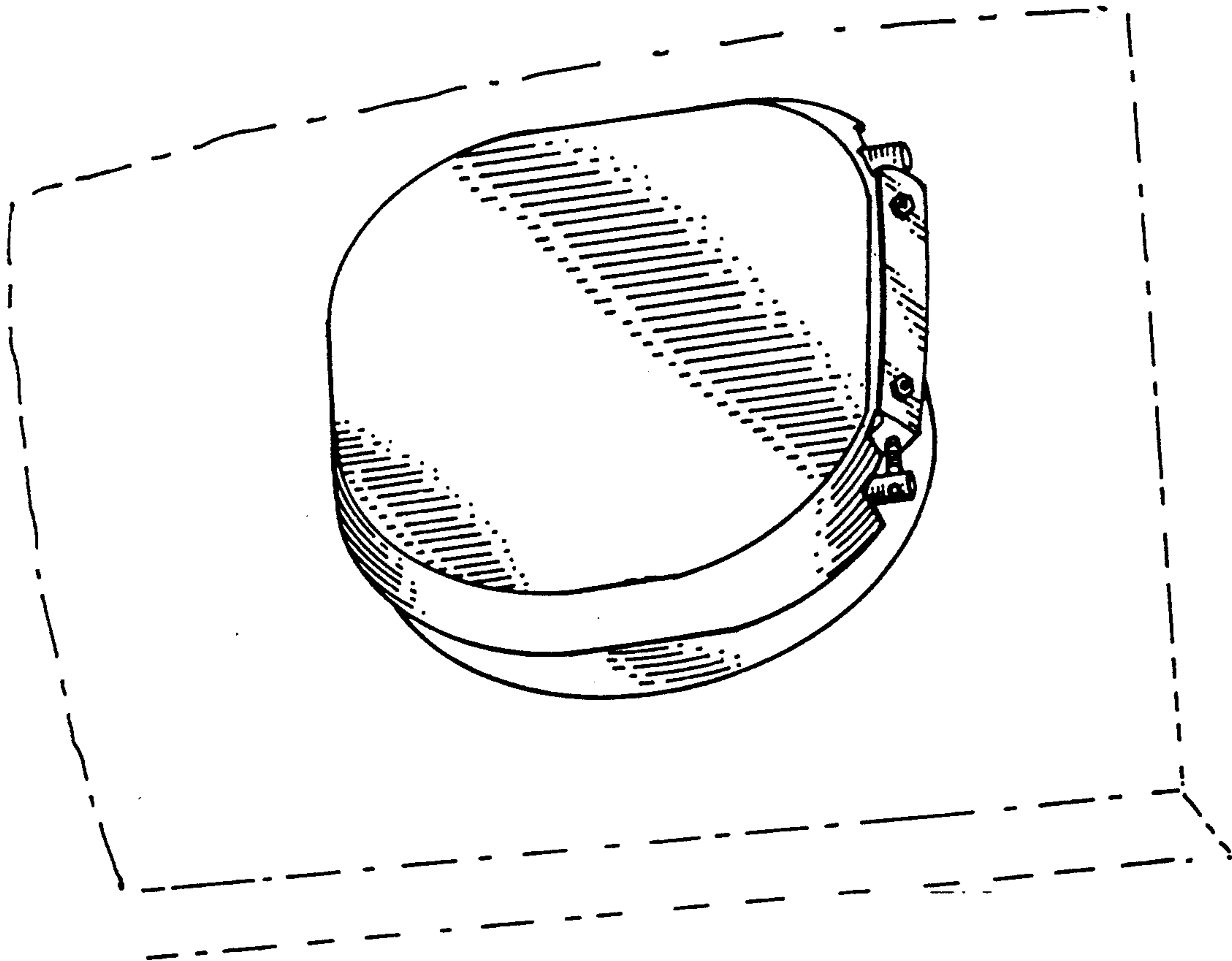
- D. 310,508 9/1990 Brown et al. D12/317
- 4,846,089 7/1989 Cedergreen 114/201 R
- 5,076,188 12/1991 Burroughs 114/201 R

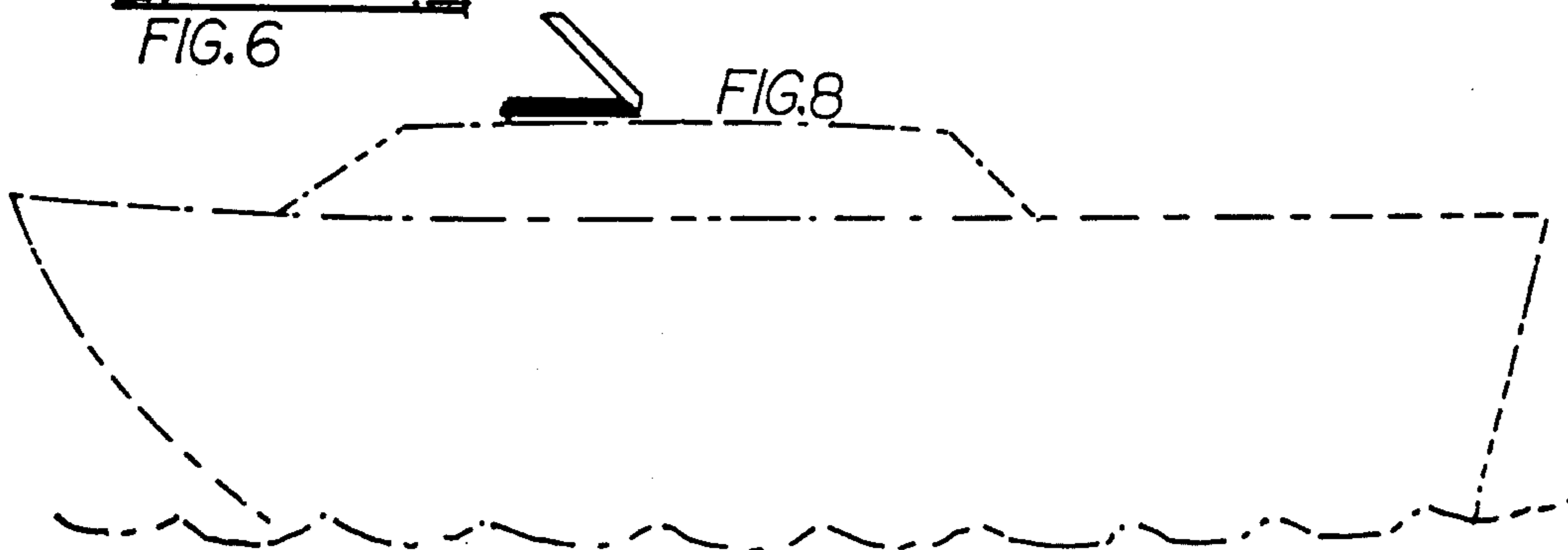
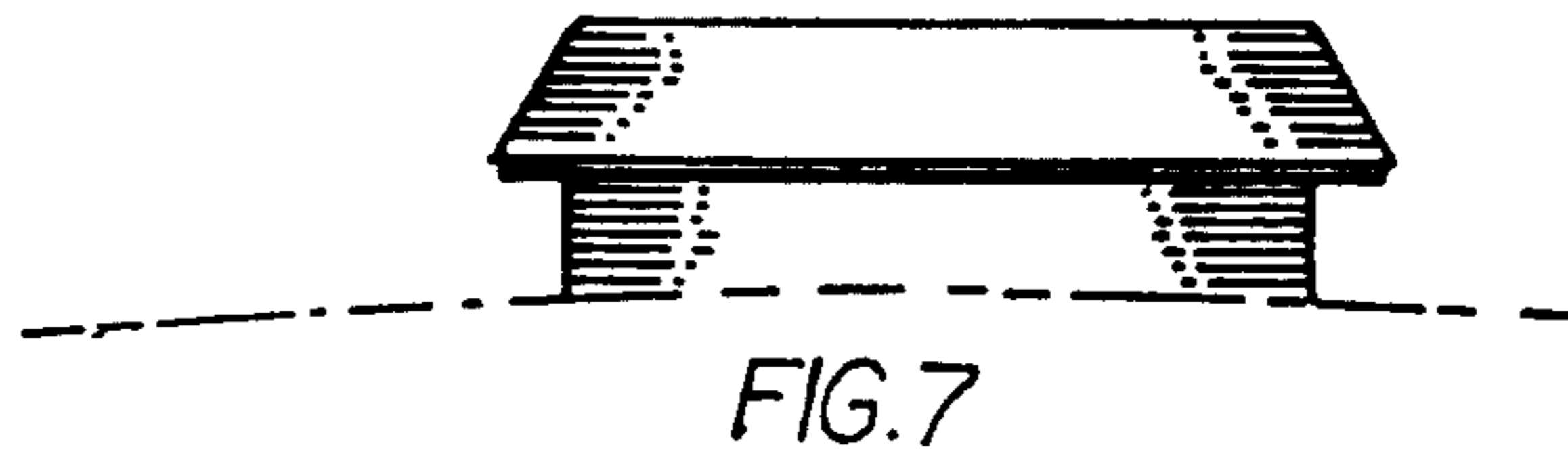
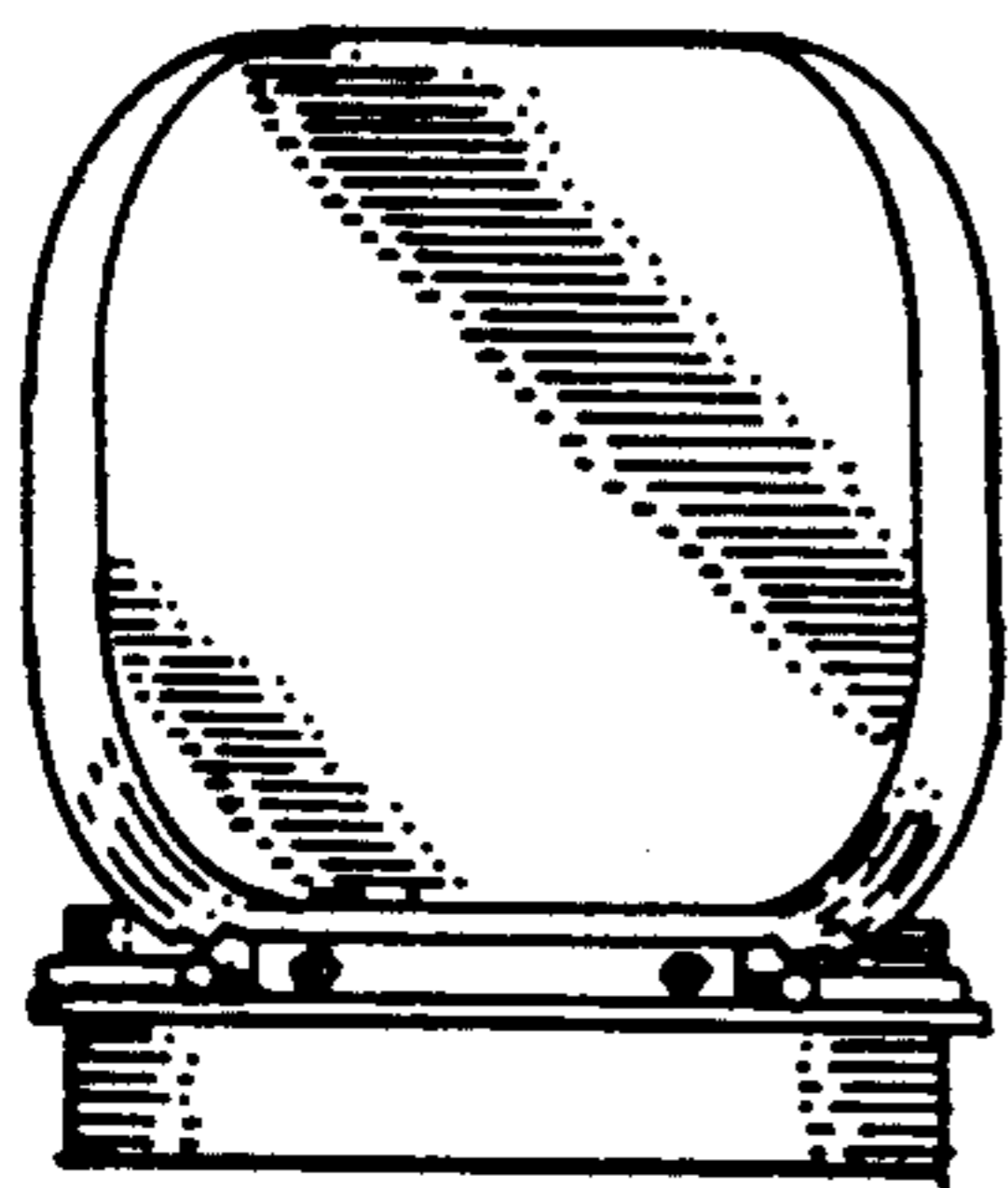
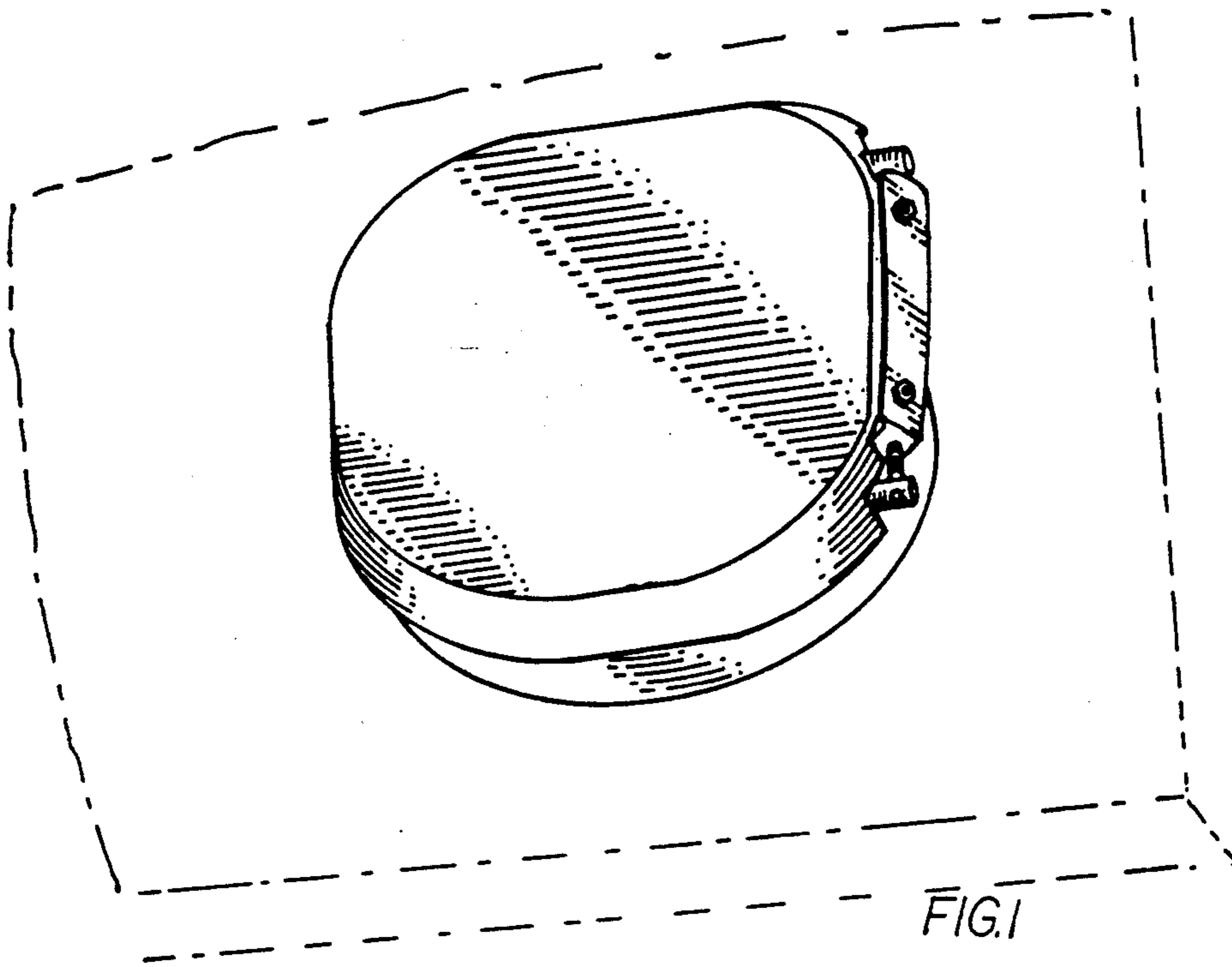
FOREIGN PATENT DOCUMENTS

- 3528995 3/1987 Fed. Rep. of Germany 114/364

Primary Examiner—Kay H. Chin

Attorney, Agent, or Firm—Laforest S. Saulsbury





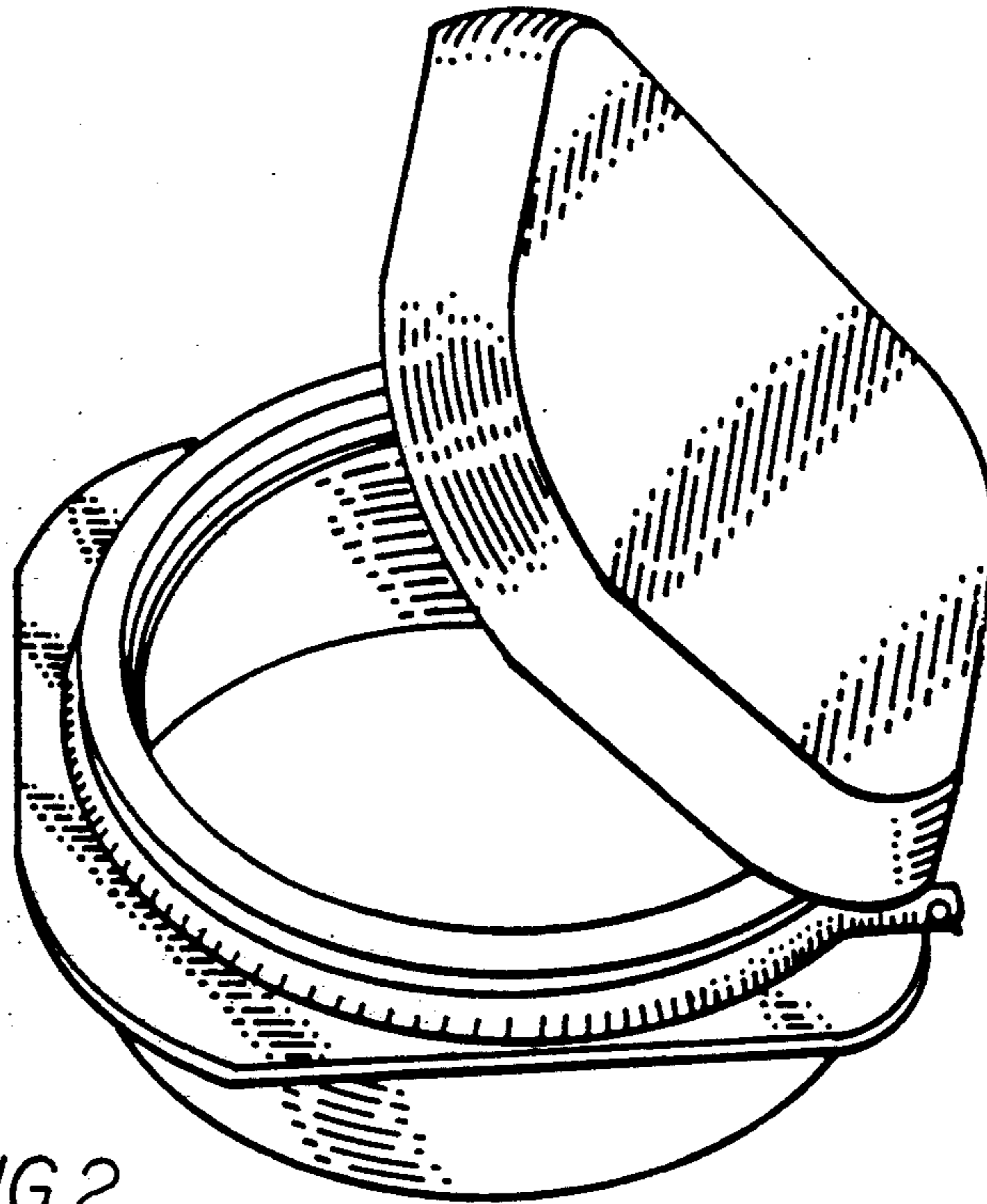


FIG. 2

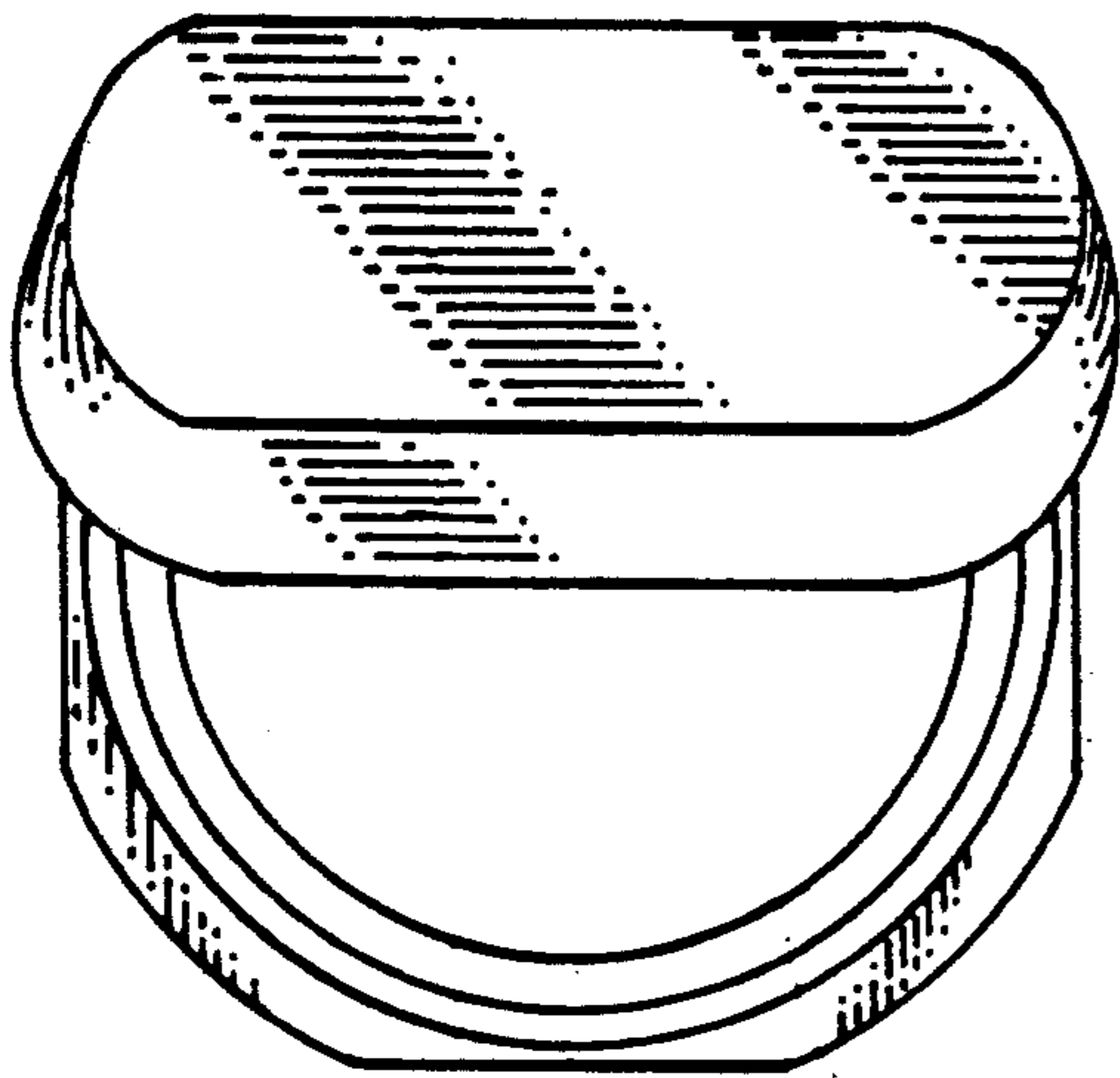


FIG. 3

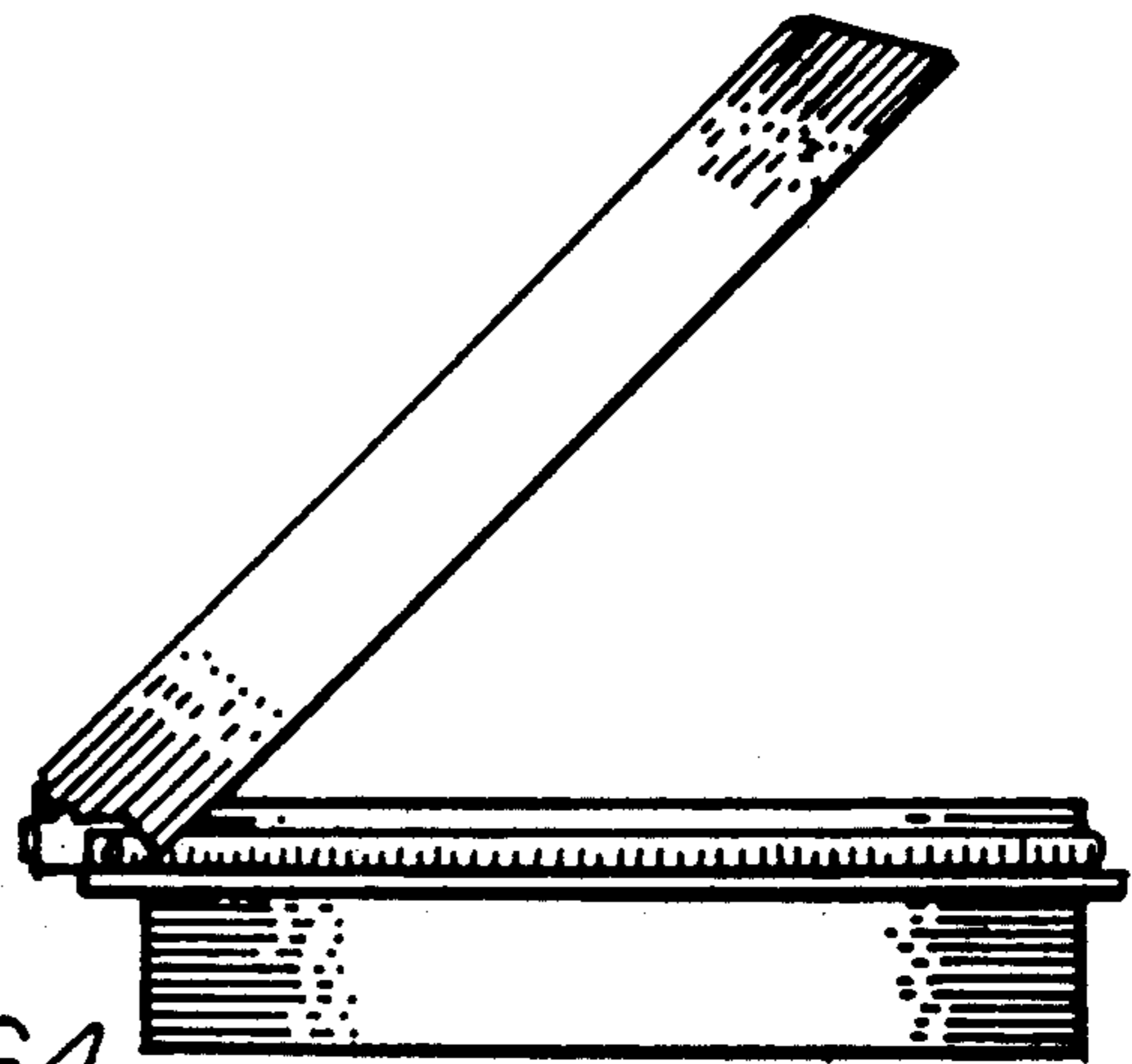


FIG. 4

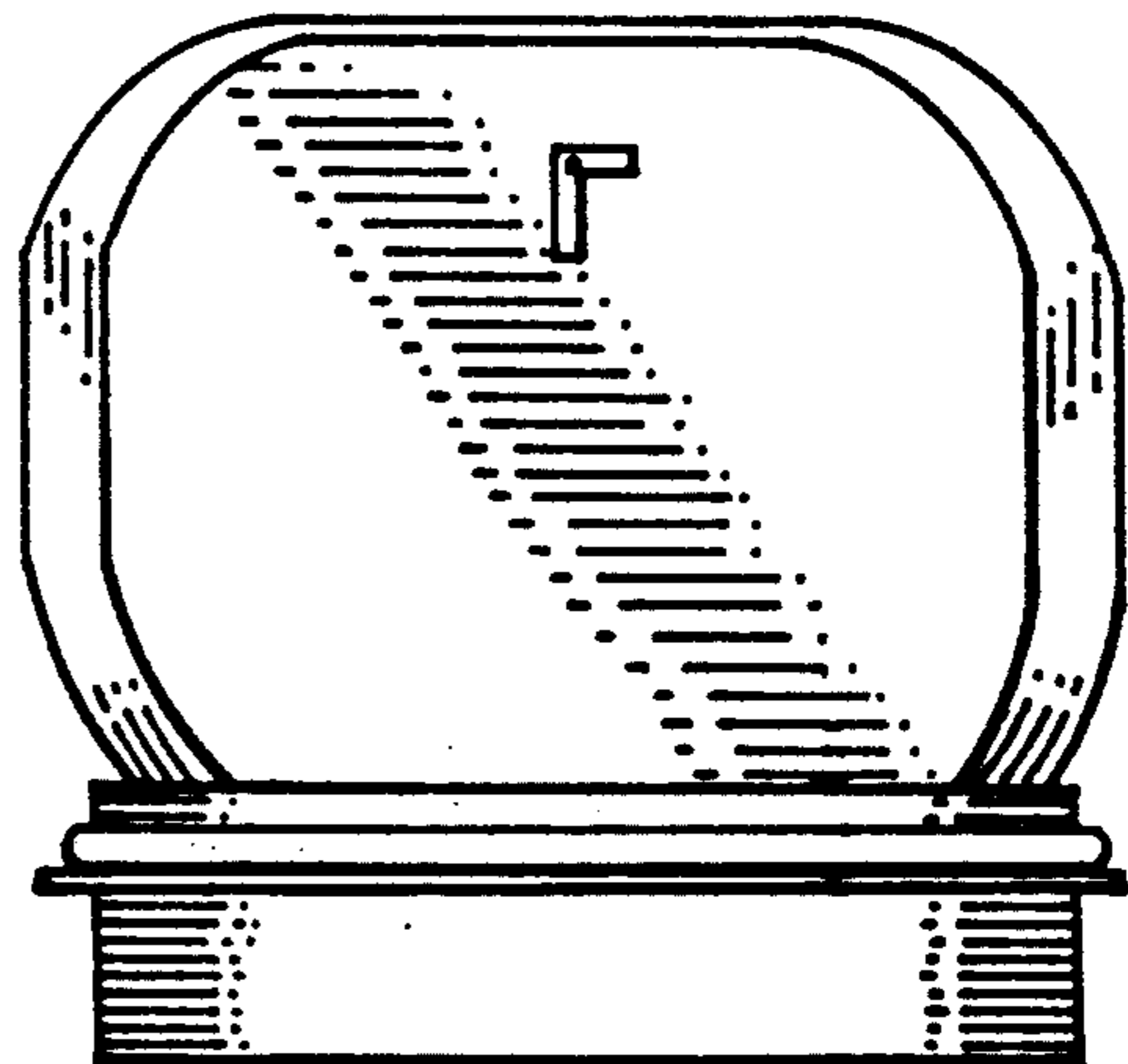


FIG. 5