



US00D343818S

United States Patent [19]

[11] Patent Number: **Des. 343,818**

DeBraal et al.

[45] Date of Patent: **** Feb. 1, 1994**

[54] **VEHICLE HOOD**

[75] Inventors: **Stanley J. DeBraal, West Bend, Wis.; Daniel R. Nickles, Hewitt; William E. Crookes, Waldwick, both of N.J.; Alberto J. Mantilla, Brooklyn; Tor G. Bonnier, New York, both of N.Y.; David R. Holm, Oconomowoc, Wis.**

[73] Assignee: **Deere & Company, Moline, Ill.**

[**] Term: **14 Years**

[21] Appl. No.: **1,565**

[22] Filed: **Nov. 16, 1992**

[52] U.S. Cl. **D12/173**

[58] Field of Search **296/194, 193; 180/69.2; D12/173, 86, 99, 107, 14**

[56] **References Cited**

U.S. PATENT DOCUMENTS

D. 266,921	11/1982	Parry	D12/173
D. 299,324	1/1989	Oba et al.	D12/86
D. 311,505	10/1990	Reinhart	D12/14
D. 325,183	4/1992	Nishikawa et al.	D12/14
D. 327,456	6/1992	Sacco et al.	D12/96
D. 332,239	1/1993	Hirata et al.	D12/14
D. 335,272	4/1993	Allendorph et al.	D12/173
D. 338,862	8/1993	Tister et al.	D12/173

OTHER PUBLICATIONS

Shuttlecraft, Shuttlecraft, 1 page, unknown publication date, U.S.A. prior to filing date of application.

Cushman, Cushman GT America, 1 page, unknown publication date, U.S.A. prior to filing date of application.

Smithco, Smithco, 1 page, unknown publication date, U.S.A. prior filing date of application.

Taylor Dunn, Electric Model R3-80 Personnel/Burden

Carrier, 1 page, unknown publication date, U.S.A. prior to filing date of application.

Clubcar, Carry All II Flatbed—The Industrial Work Horse, 1 page, unknown publication date, U.S.A. prior to filing date of application.

EZ-GO, Whatever Work They're Doing, 1 page, unknown publication date, U.S.A. prior to filing date of application.

Cushman, Cushman Super Runabout, 2 pages, unknown publication date, U.S.A. prior to filing date of application.

Kawasaki, Mule 500, 4 pages, unknown publication date, U.S.A. prior to filing date of application.

Kawasaki, Mule 2010/1000, 5 pages, unknown publication date, U.S.A. prior to filing date of application.

Steiner, Steiner 2x4 TXF, 4 pages, unknown publication date, U.S.A. prior filing date of application.

Primary Examiner—Wallace R. Burke

Assistant Examiner—Melody Brown

[57] **CLAIM**

The ornamental design for a vehicle hood, as shown and described.

DESCRIPTION

FIG. 1 is a left front perspective view of a vehicle hood showing our new design, the broken lines are for illustrative purposes only and form no part of the claimed design;

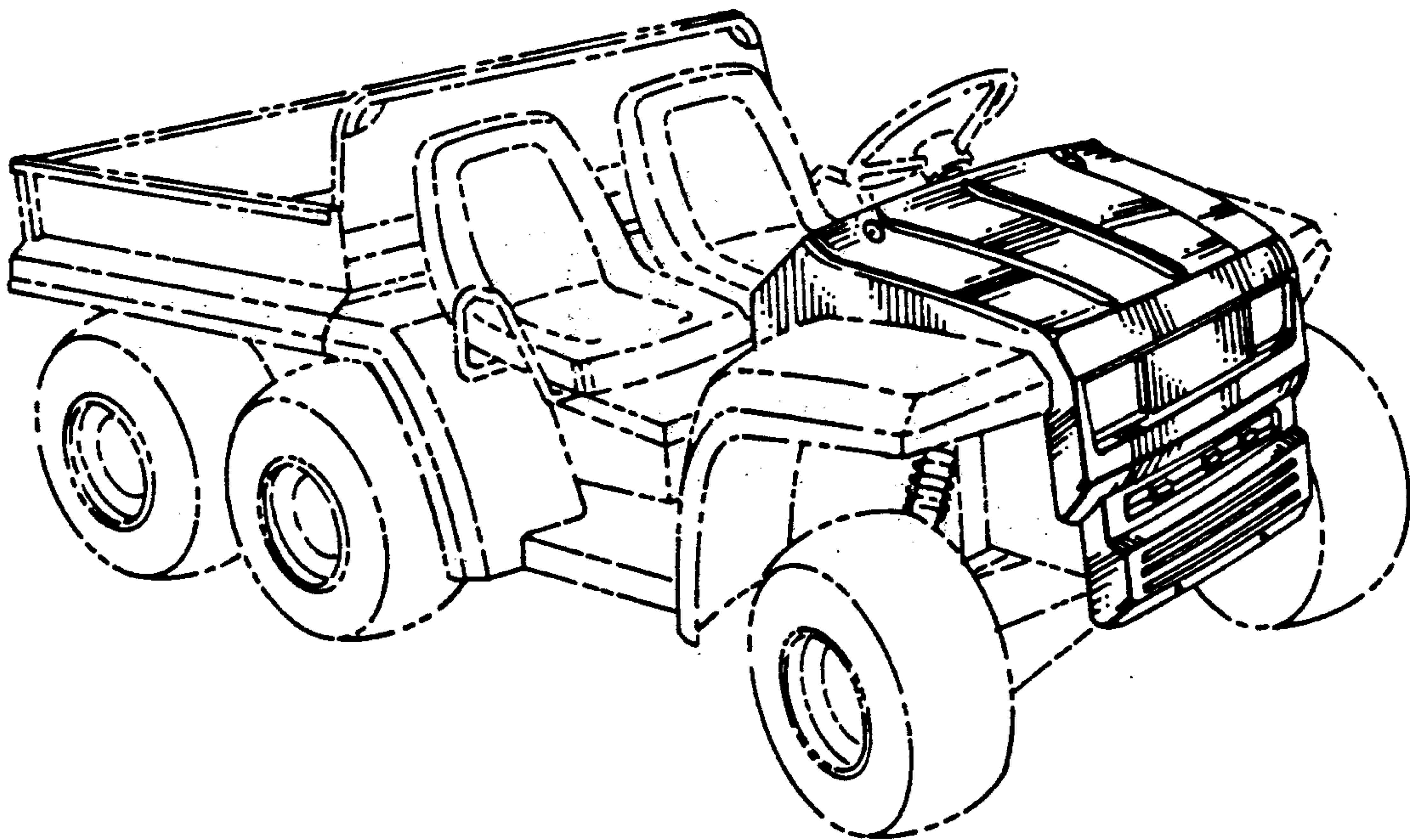
FIG. 2 is an enlarged left front perspective view thereof;

FIG. 3 is an enlarged front elevational view thereof;

FIG. 4 is an enlarged top plan view thereof;

FIG. 5 is an enlarged left side elevational view thereof; and,

FIG. 6 is an enlarged right side elevational view thereof.



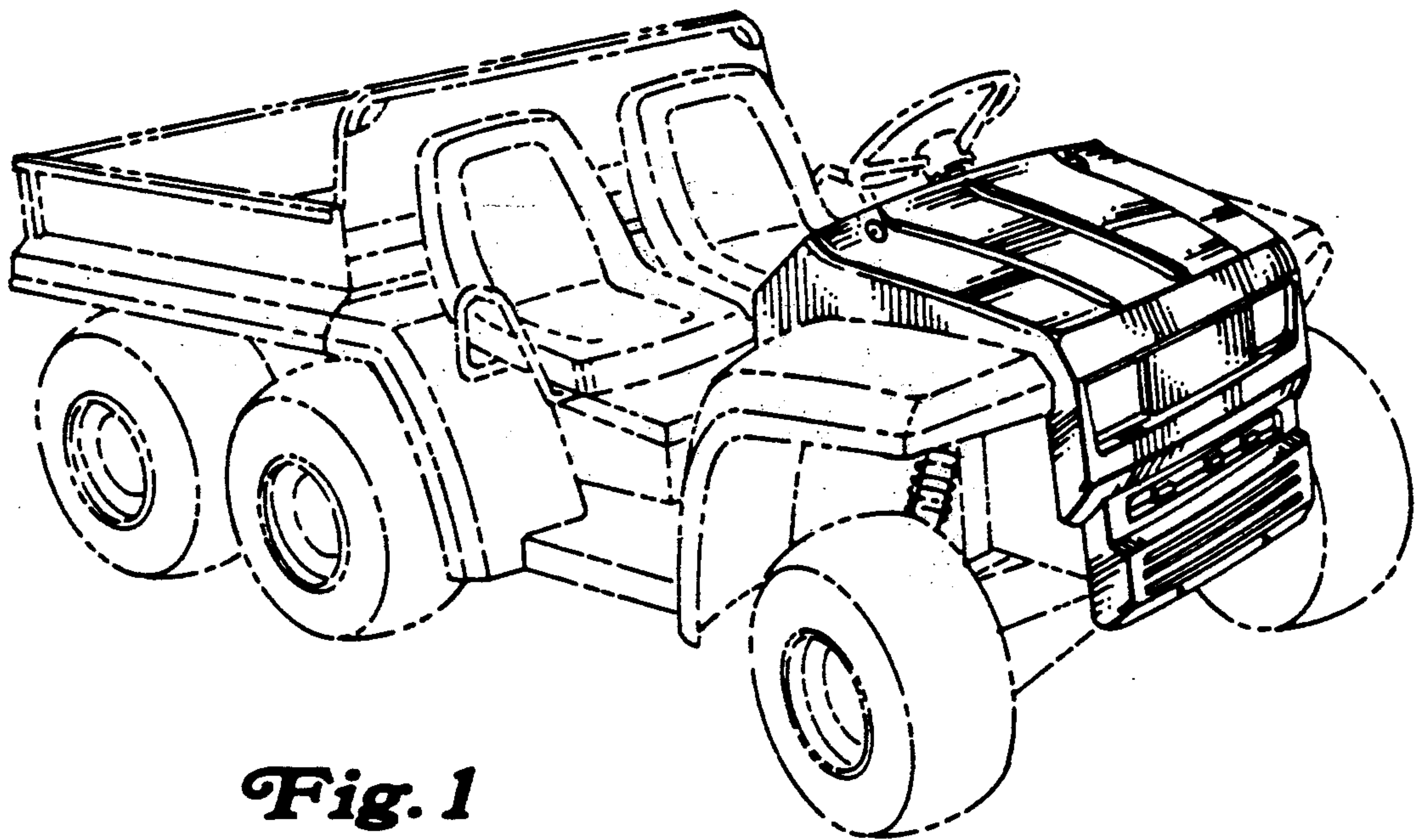


Fig. 1

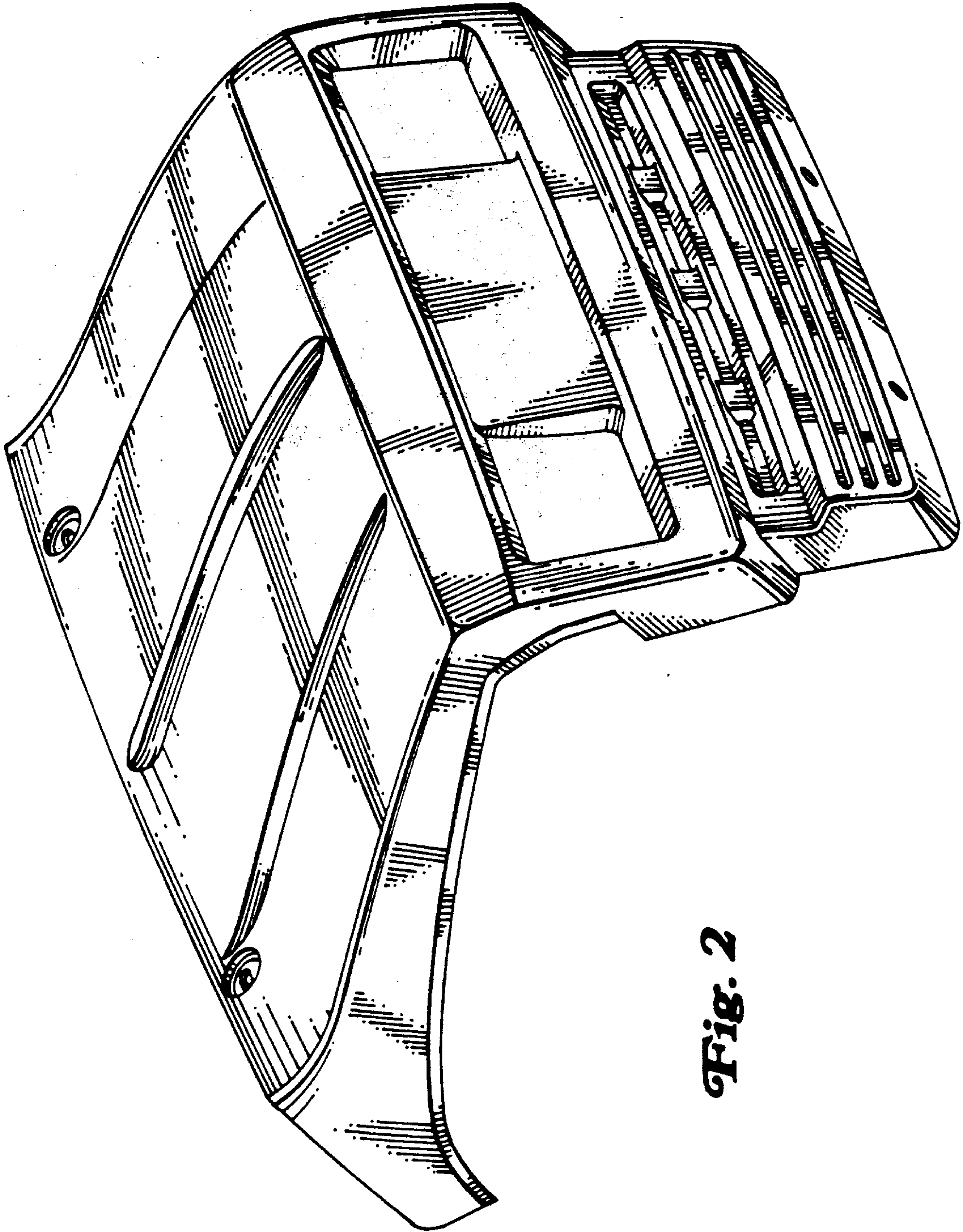
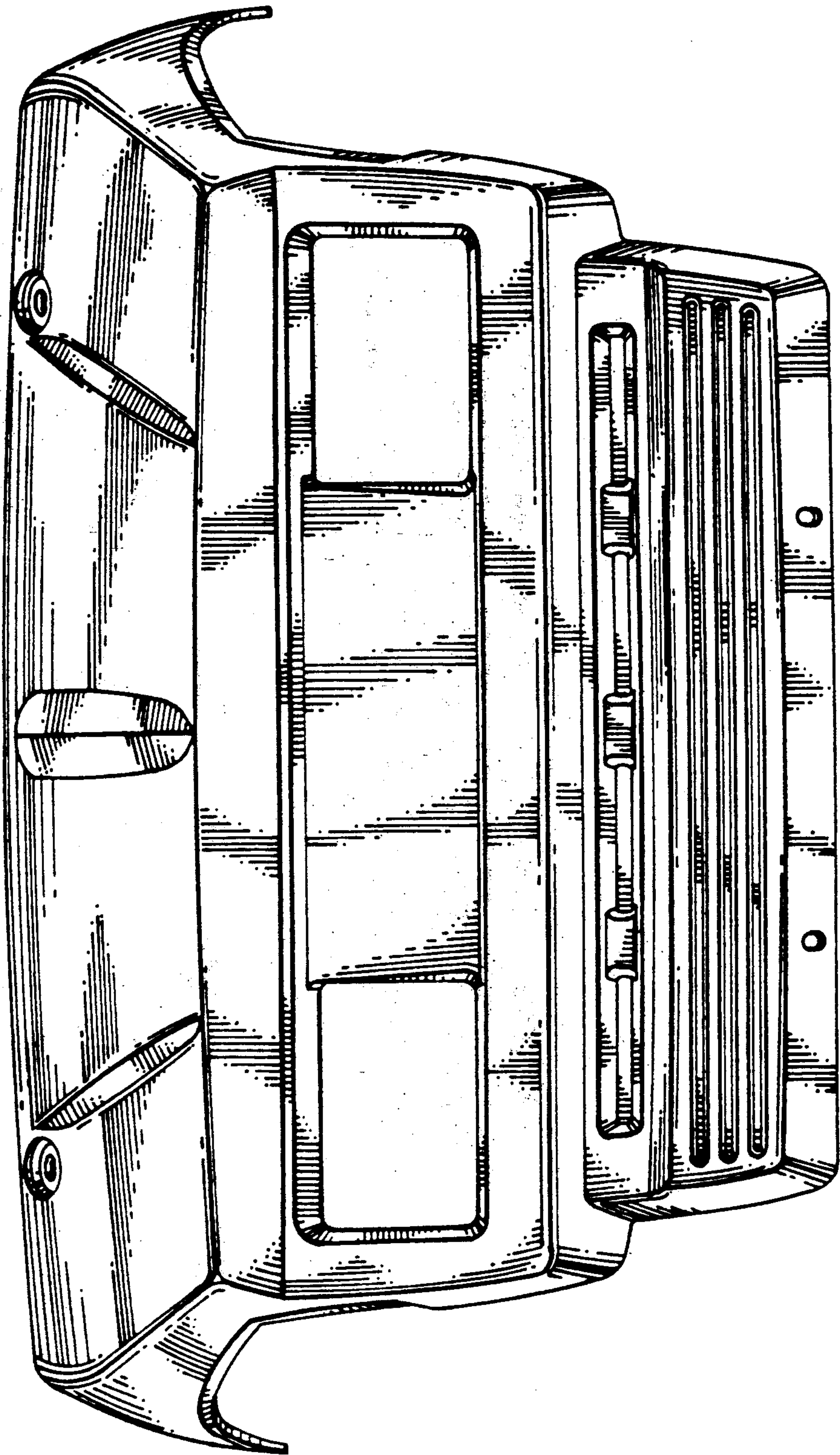


Fig. 2

Fig. 3



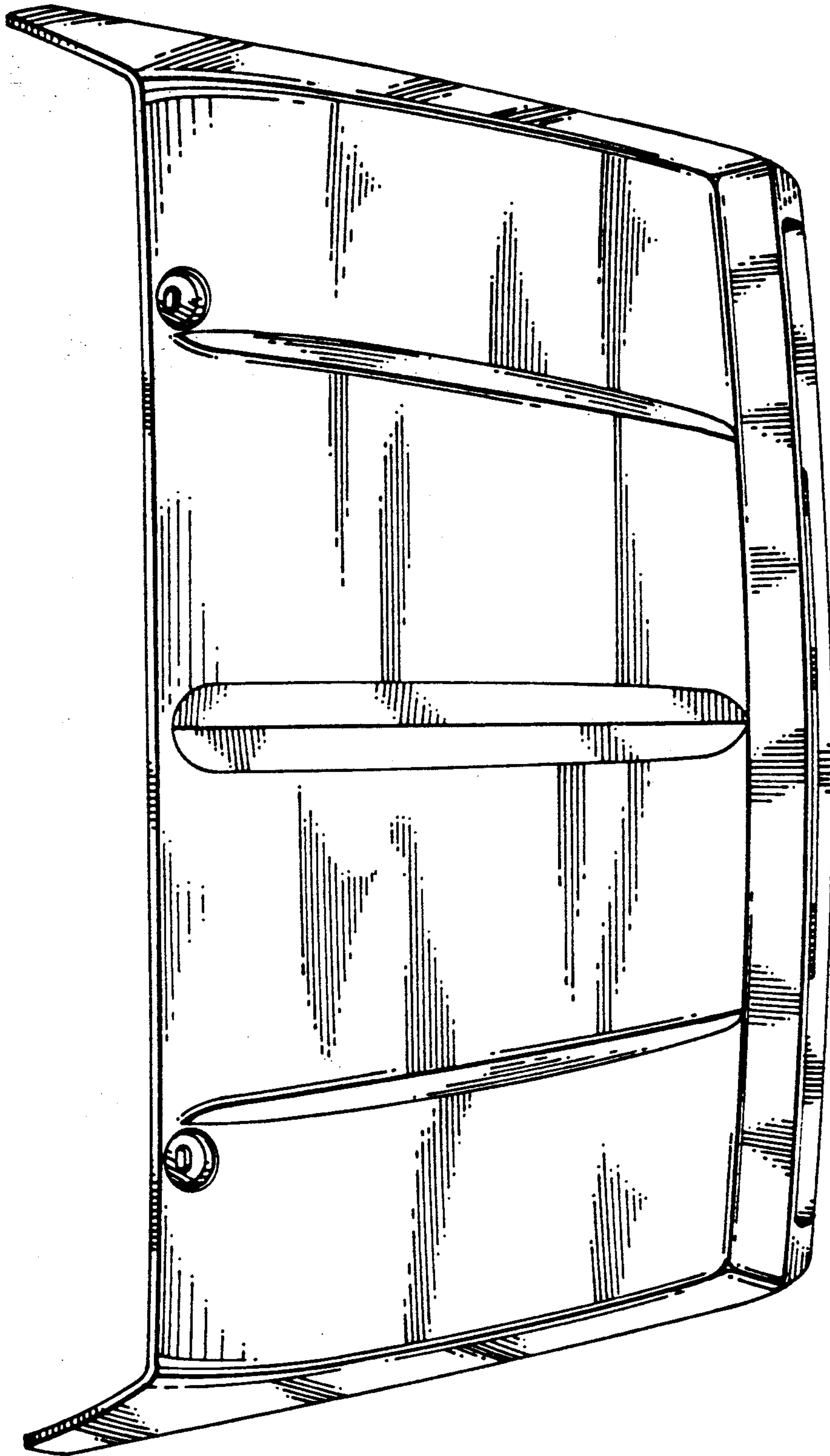


Fig. 4

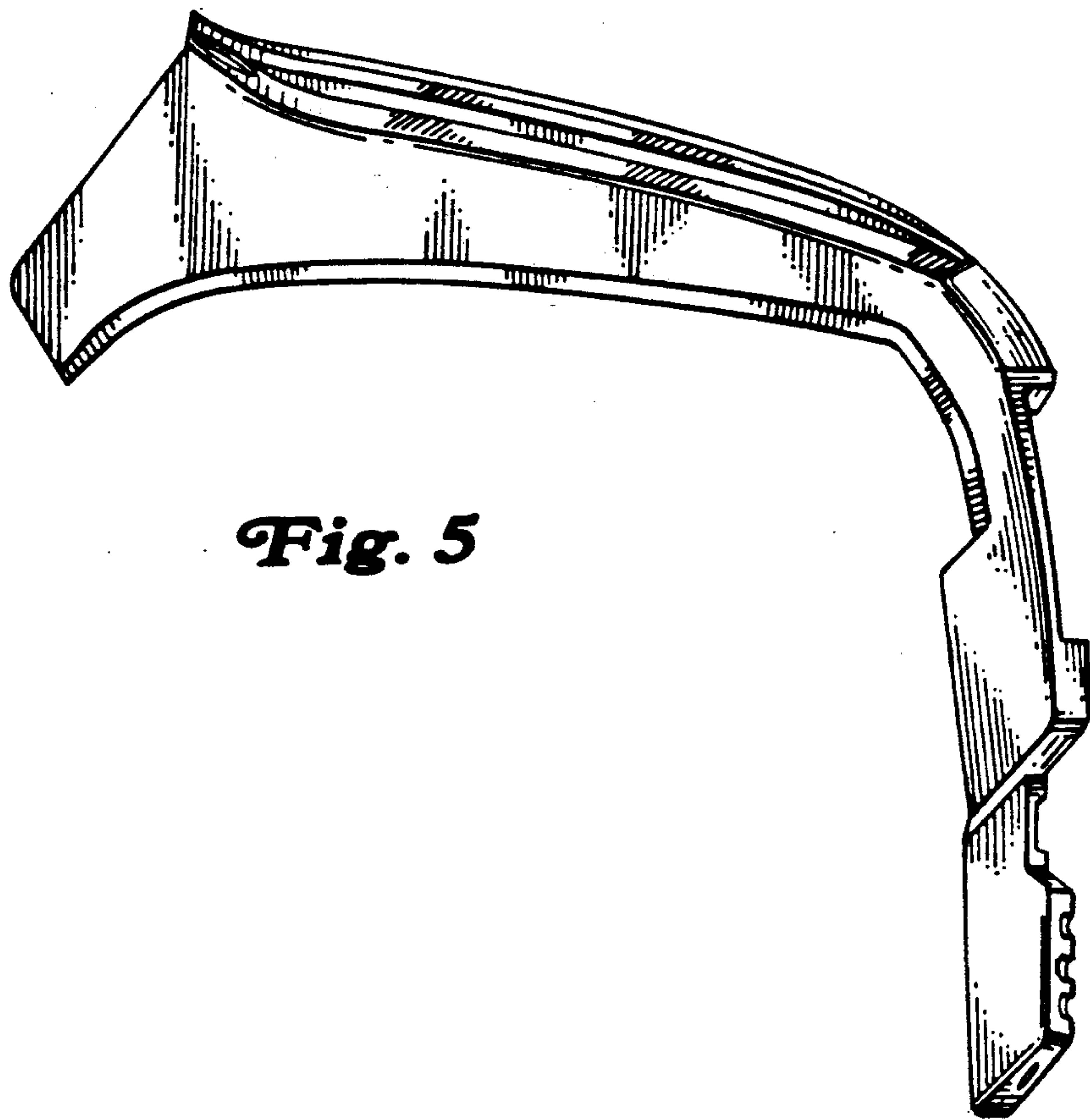


Fig. 5

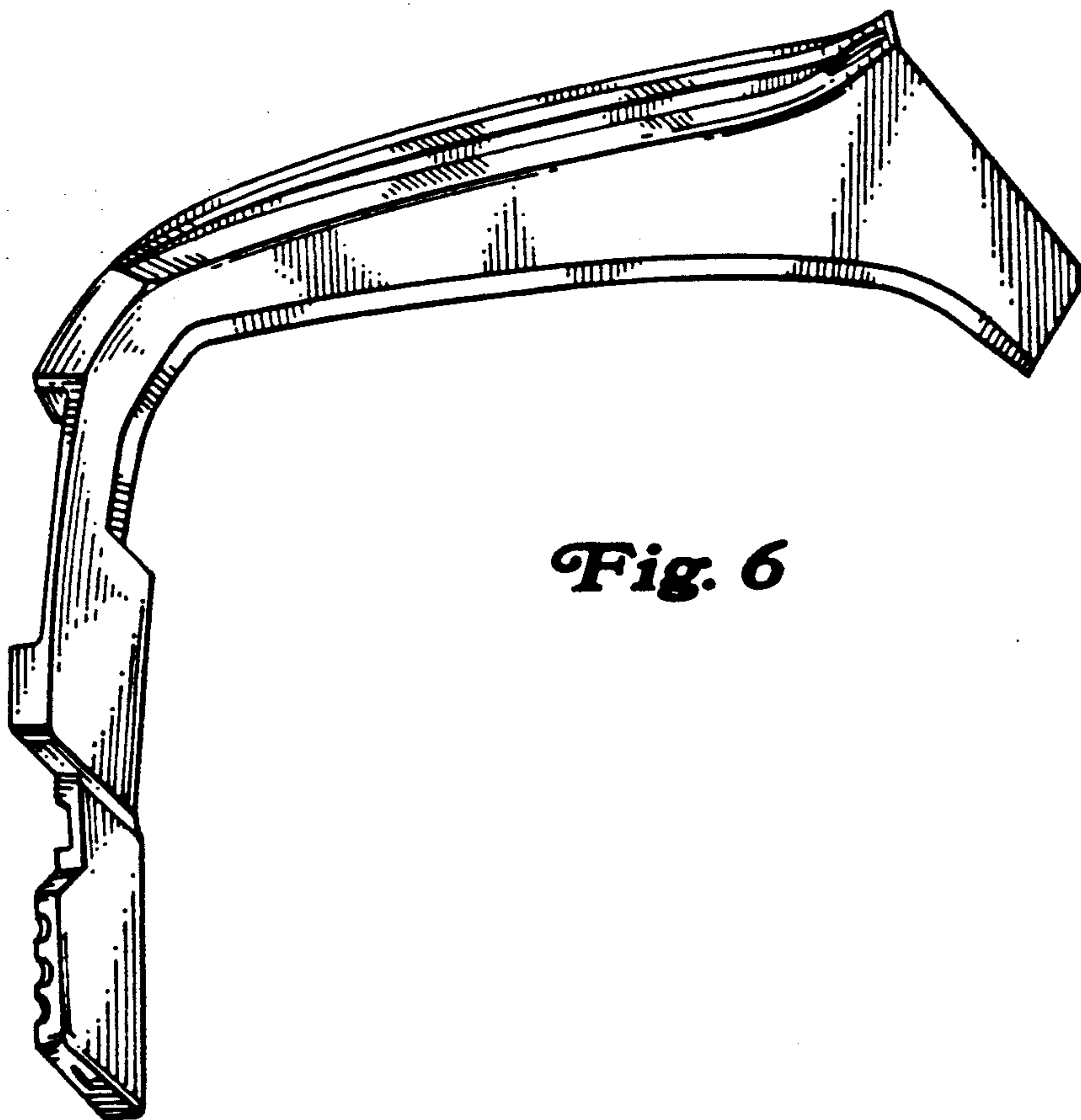


Fig. 6