



US00D343817S

# United States Patent [19]

[11] Patent Number: **Des. 343,817**

Morrow

[45] Date of Patent: **\*\* Feb. 1, 1994**

[54] **VEHICLE PUSH BAR FOR MOUNTING TO A BUMPER OF A VEHICLE**

4,671,552 6/1987 Anderson et al. .... 293/144

[75] Inventor: **Dennis S. Morrow, Fort Worth, Tex.**

*Primary Examiner*—James M. Gandy  
*Attorney, Agent, or Firm*—James E. Bradley

[73] Assignee: **Lectric Lites Co., Ft. Worth, Tex.**

[57] **CLAIM**

[\*\*] Term: **14 Years**

The ornamental design for a vehicle push bar for mounting to a bumper of a vehicle, as shown.

[21] Appl. No.: **841,034**

**DESCRIPTION**

[22] Filed: **Feb. 25, 1992**

FIG. 1 is a front perspective view of a vehicle push bar for mounting to a bumper of a vehicle embodying my new design;

[52] U.S. Cl. .... **D12/172; D12/171**

FIG. 2 is a front view thereof;

[58] Field of Search ..... 293/102, 108, 115, 144;  
D12/167, 171, 172

FIG. 3 is a right side view thereof;

FIG. 4 is a left side view thereof;

FIG. 5 is a top plan view thereof;

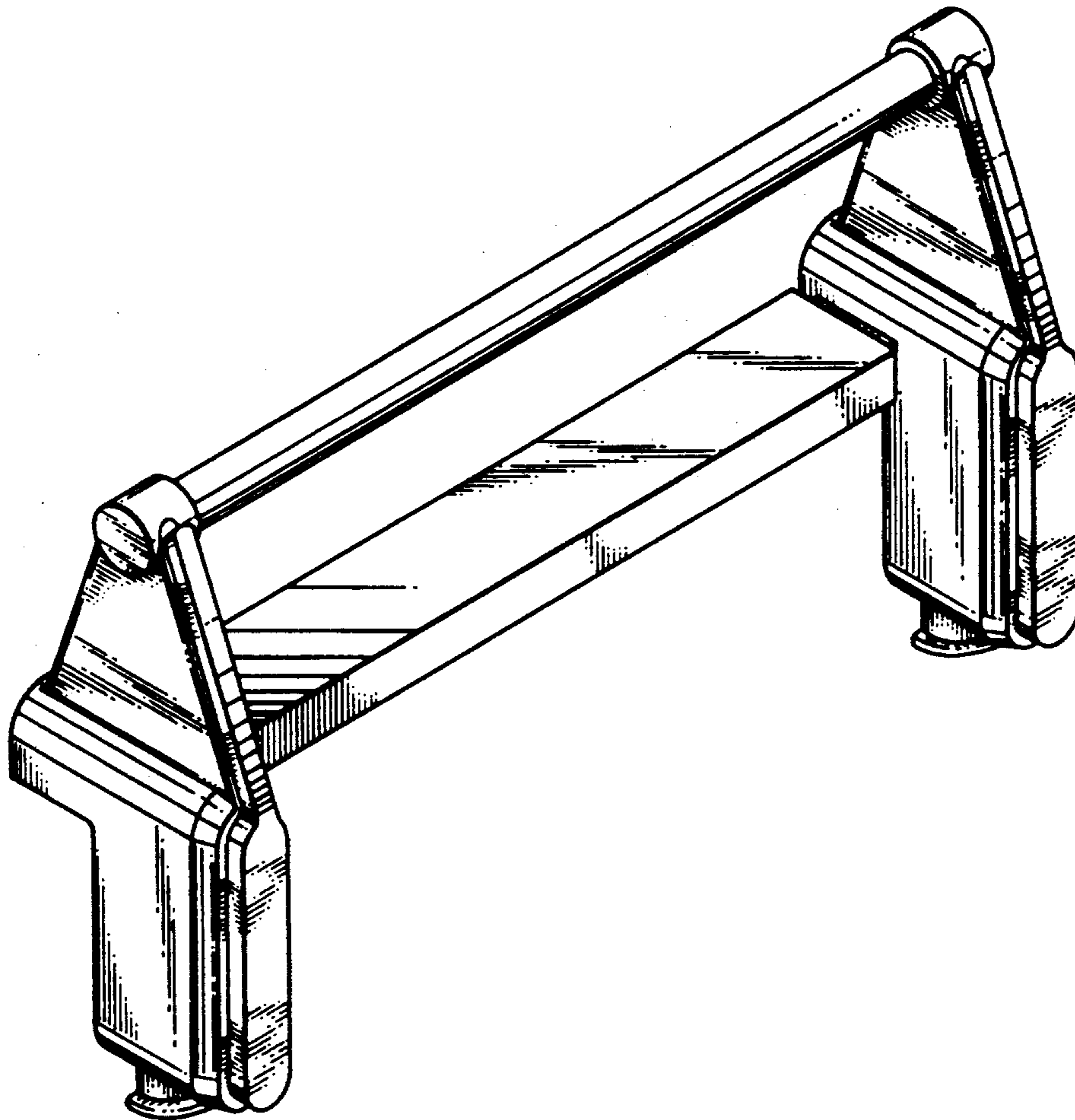
FIG. 6 is a back view thereof; and,

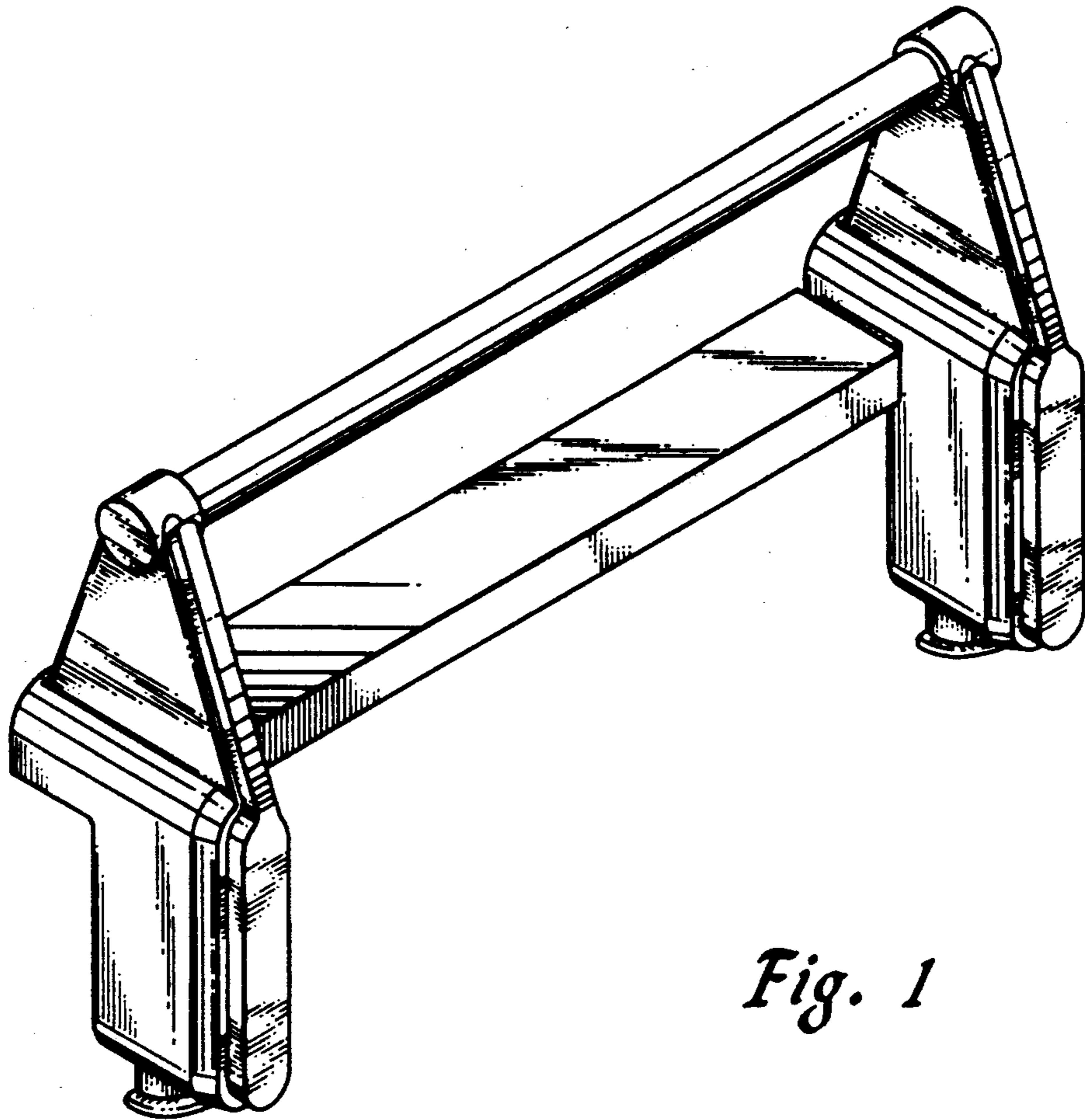
FIG. 7 is a bottom plan view thereof.

[56] **References Cited**

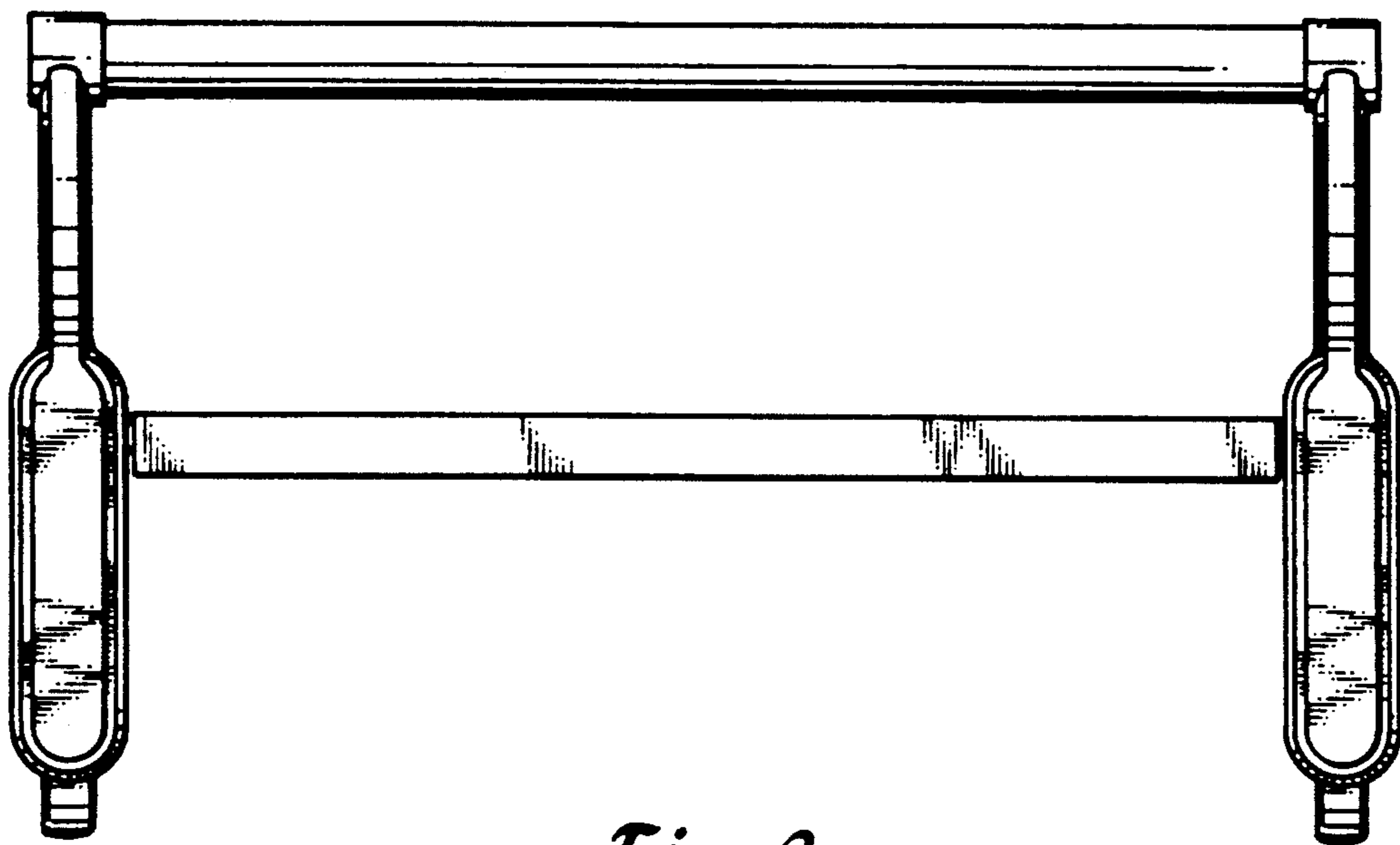
**U.S. PATENT DOCUMENTS**

D. 235,251 6/1975 Asbury ..... D12/169  
4,469,360 9/1984 Drury ..... 293/102

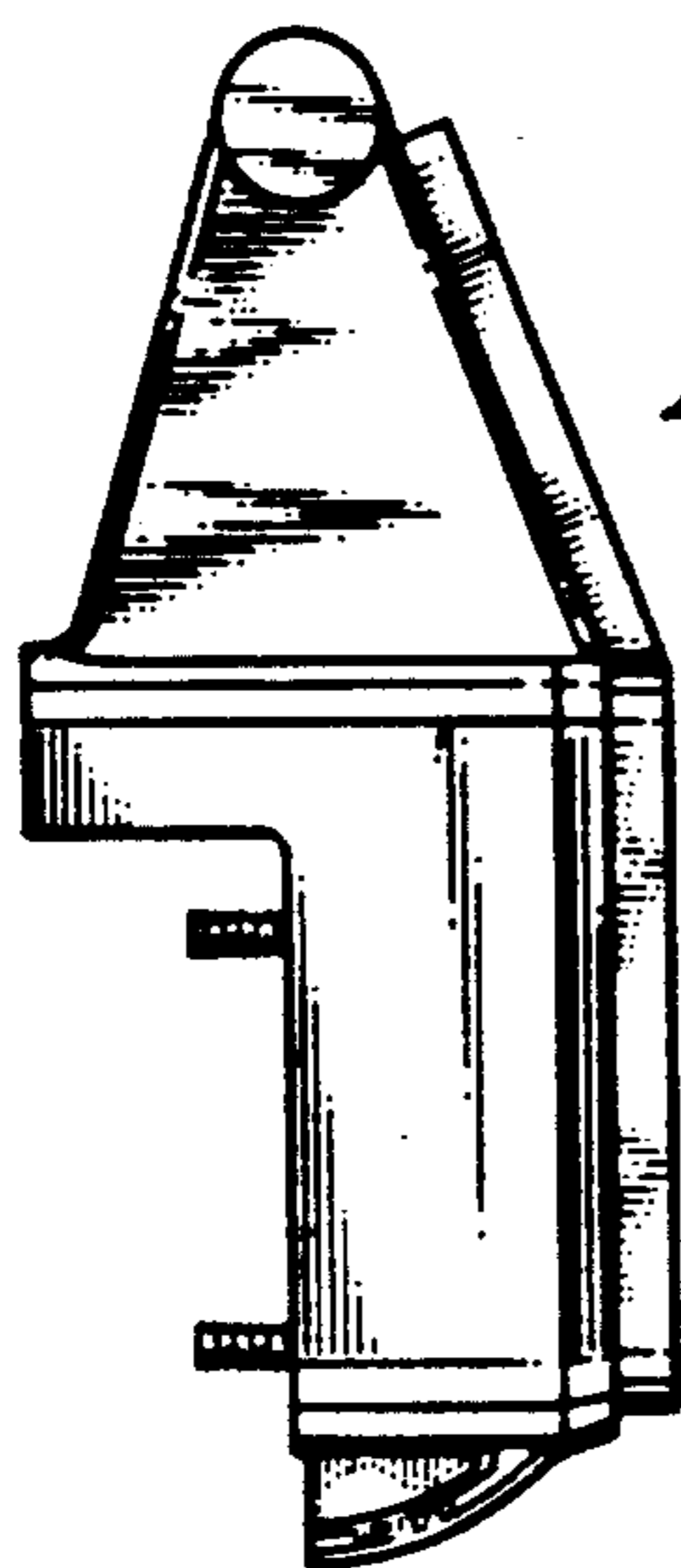




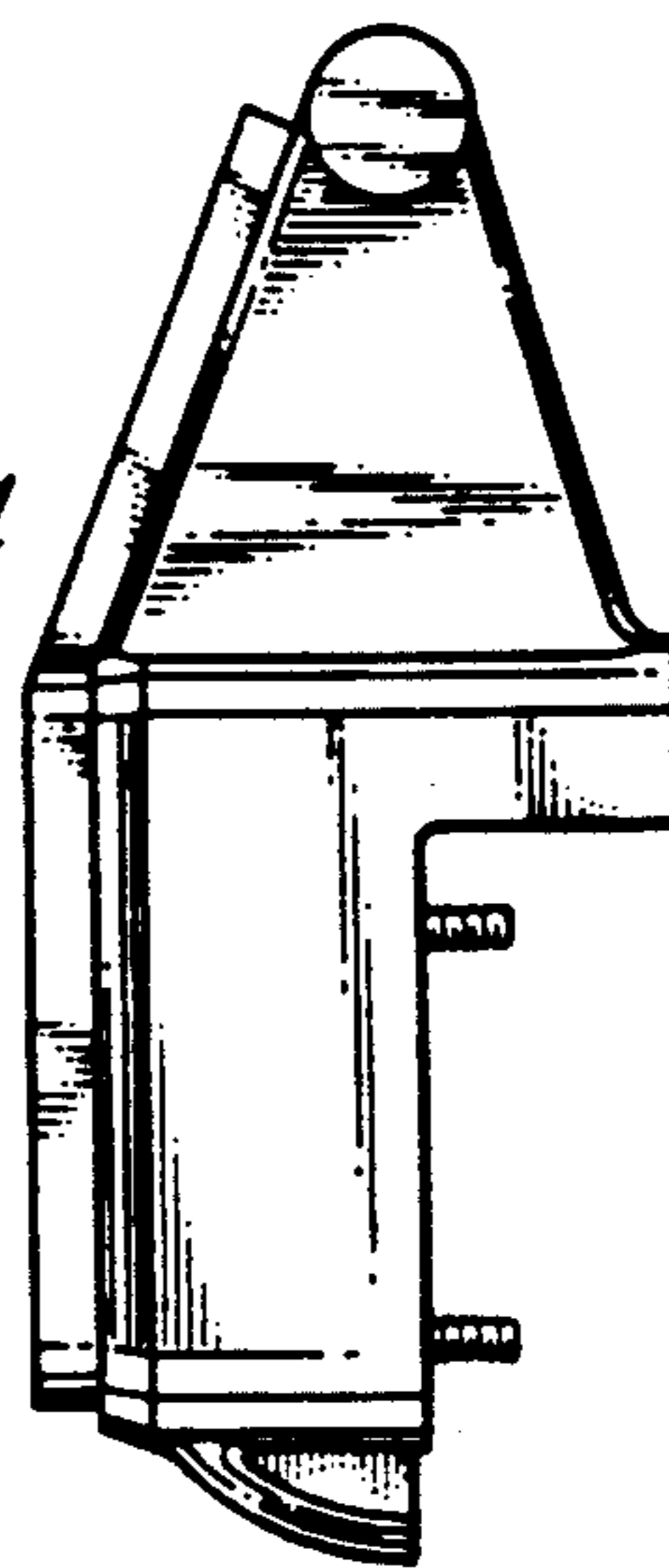
*Fig. 1*



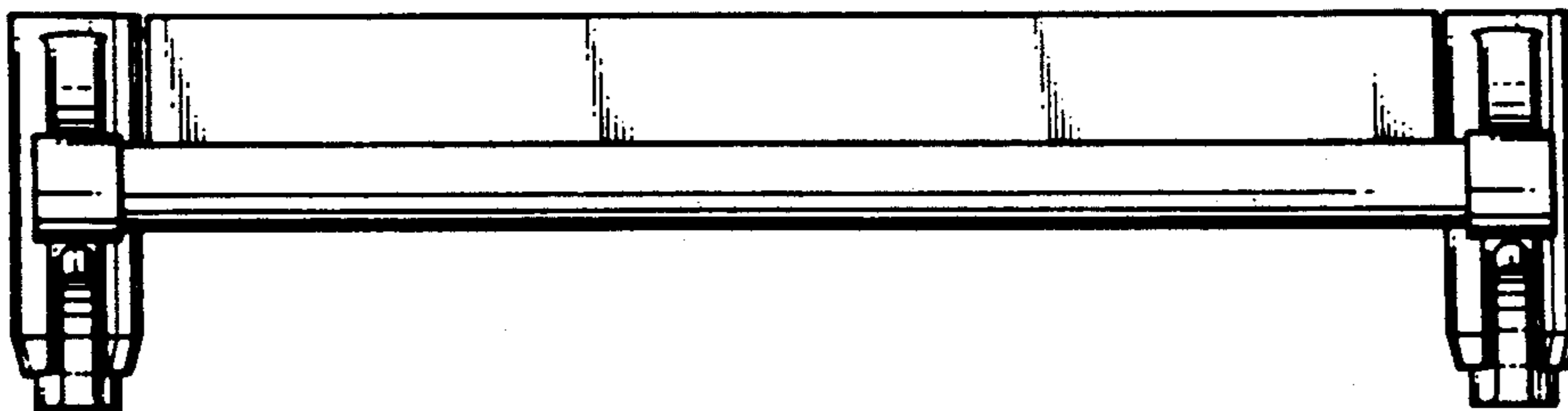
*Fig. 2*



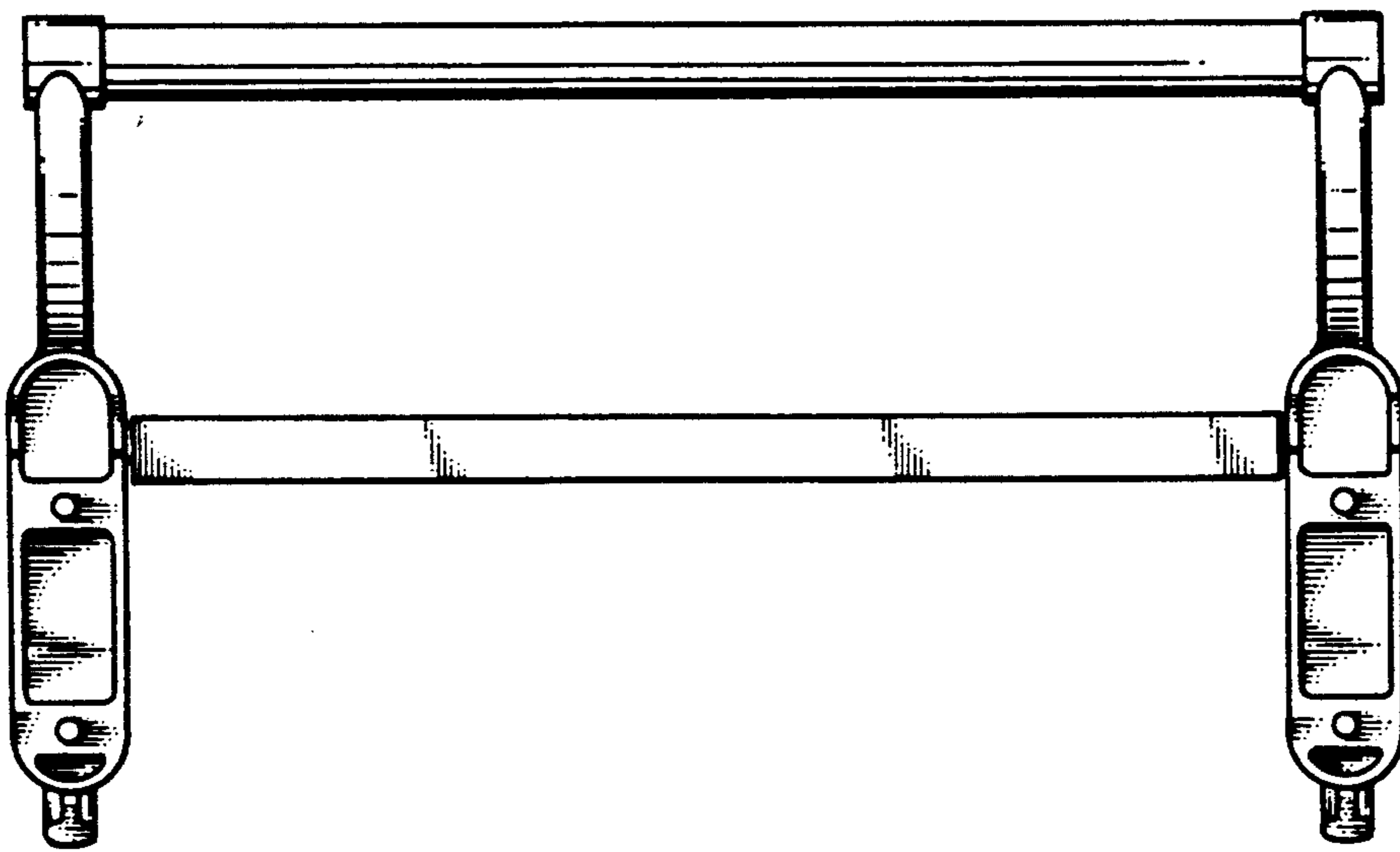
*Fig. 3*



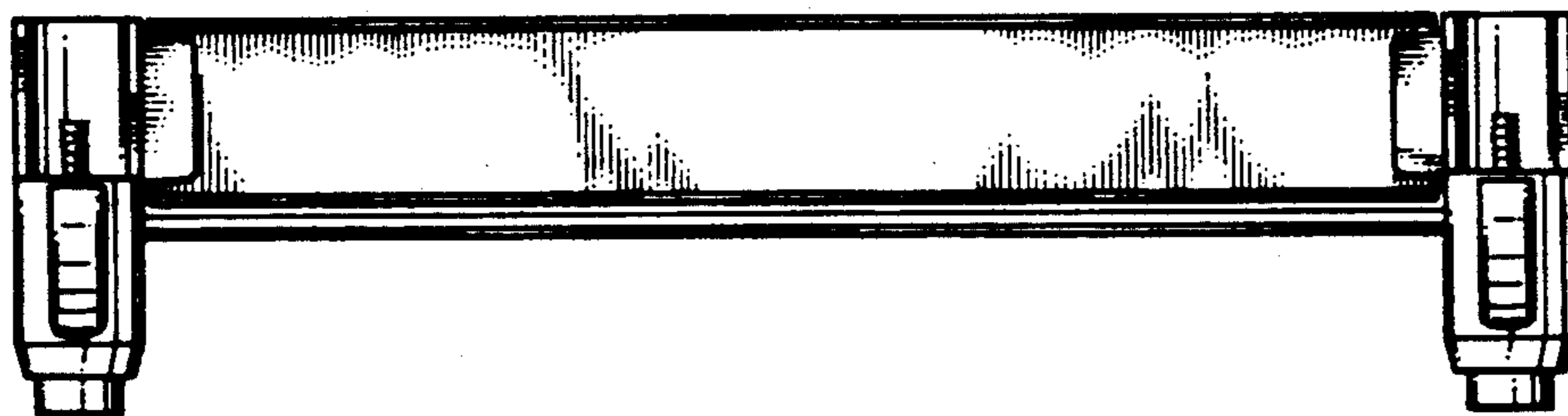
*Fig. 4*



*Fig. 5*



*Fig. 6*



*Fig. 7*