



US00D343812S

United States Patent [19]

Baechler et al.

[11] Patent Number: **Des. 343,812**

[45] Date of Patent: **** Feb. 1, 1994**

[54] **BABY STROLLER**

[75] Inventors: **Philip A. Baechler; Timothy O. Armstrong, both of Yakima, Wash.**

[73] Assignee: **Racing Strollers, Inc., Yakima, Wash.**

[**] Term: **14 Years**

[21] Appl. No.: **948,913**

[22] Filed: **Sep. 18, 1992**

[52] U.S. Cl. **D12/129; D34/18**

[58] Field of Search **280/658, 650, 62, 36, 280/47, 38, 657; D12/128, 129, 132**

[56]

References Cited

U.S. PATENT DOCUMENTS

D. 297,525	9/1988	Baechler	D12/129
2,886,337	5/1959	Quisenberry	280/36
5,176,395	1/1993	Garforth-Bles	280/62

Primary Examiner—Kay H. Chin
Attorney, Agent, or Firm—Seed and Berry

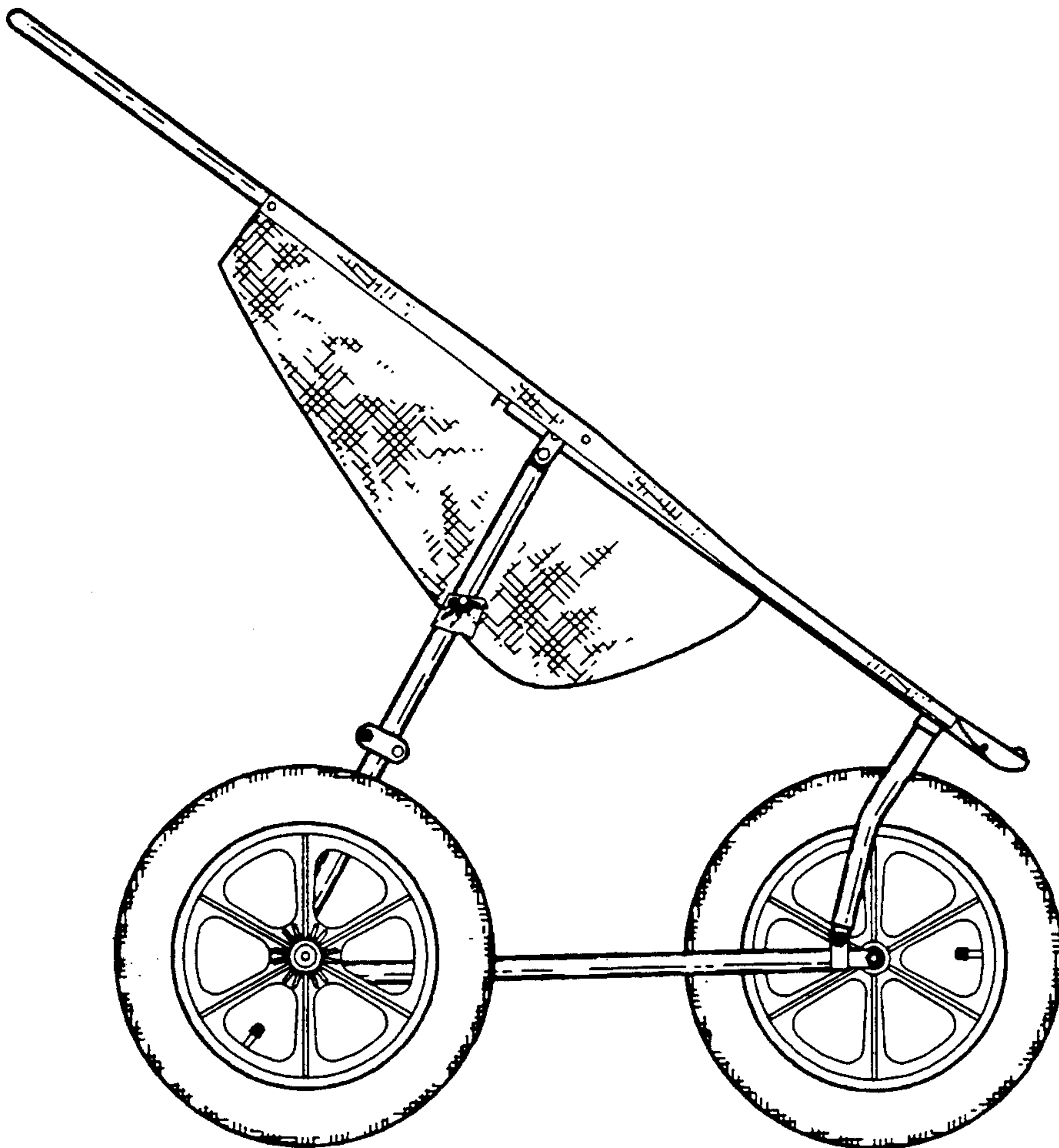
[57]

CLAIM

The ornamental design for a baby stroller, as shown and described.

DESCRIPTION

FIG. 1 is a right side elevational view of a baby stroller showing our new design, the right side being identical; FIG. 2 is a front elevational view thereof; FIG. 3 is a top plan view thereof; FIG. 4 is a rear elevational view thereof; and, FIG. 5 is a bottom plan view thereof.



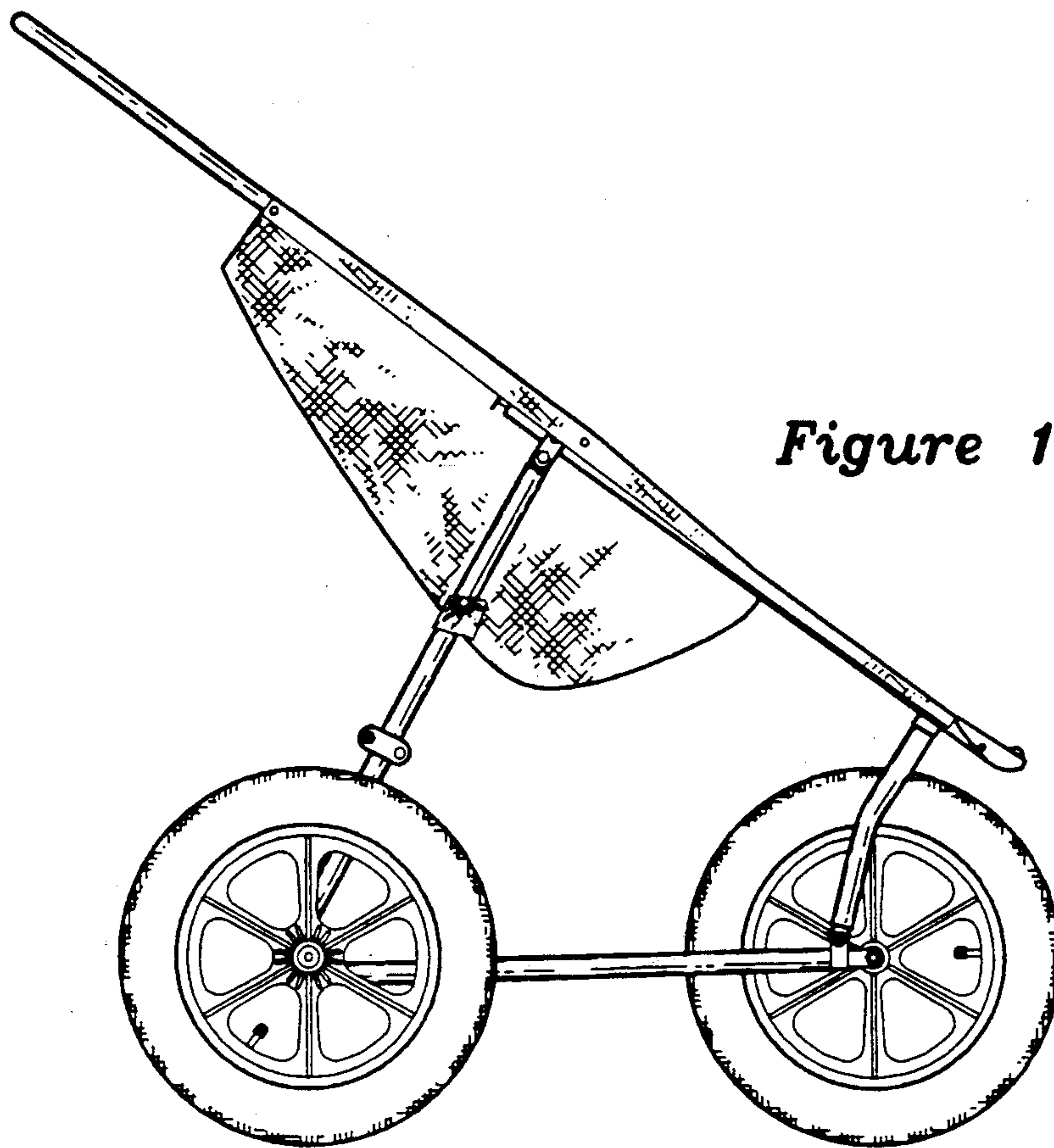


Figure 1

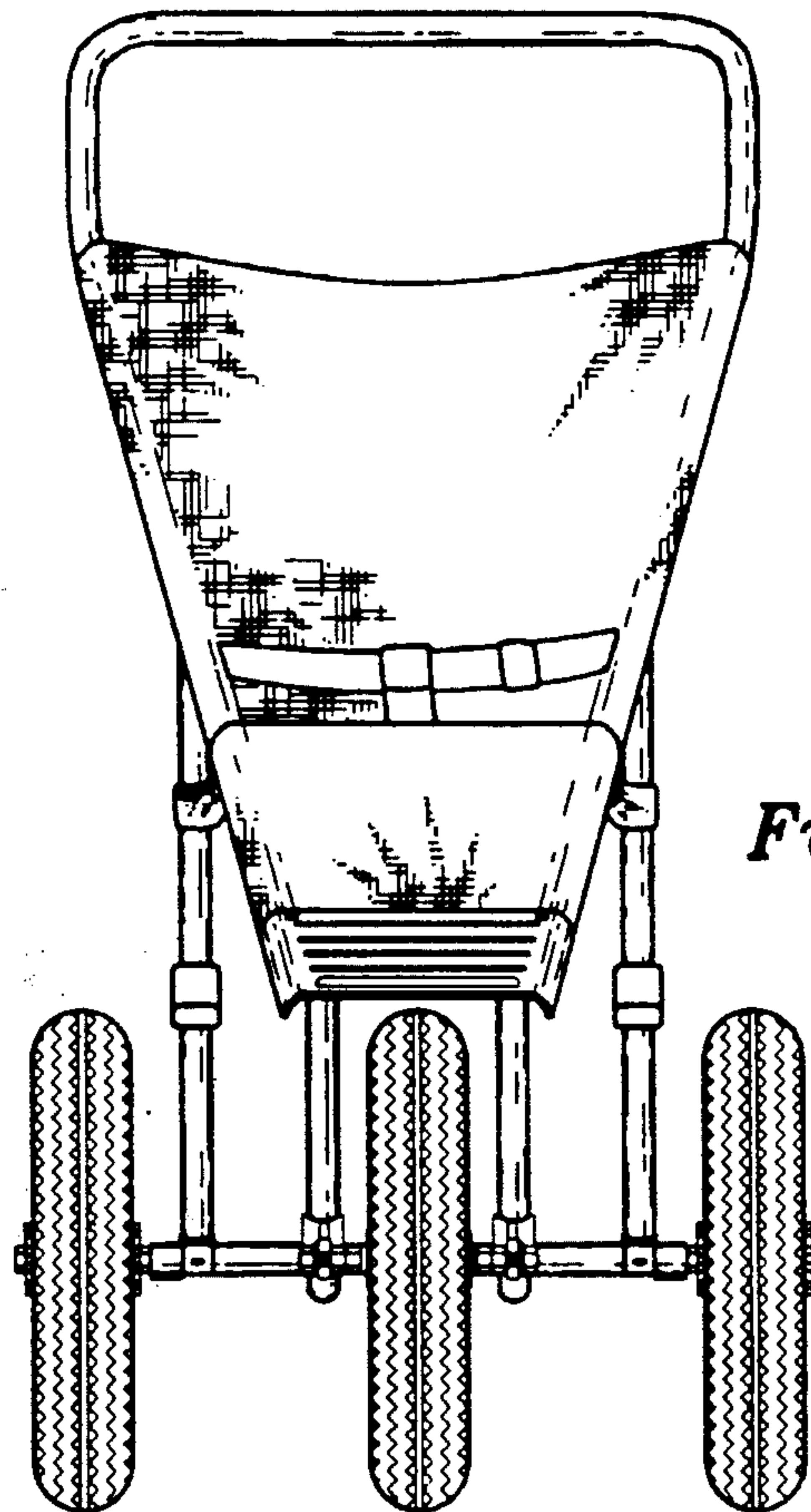


Figure 2

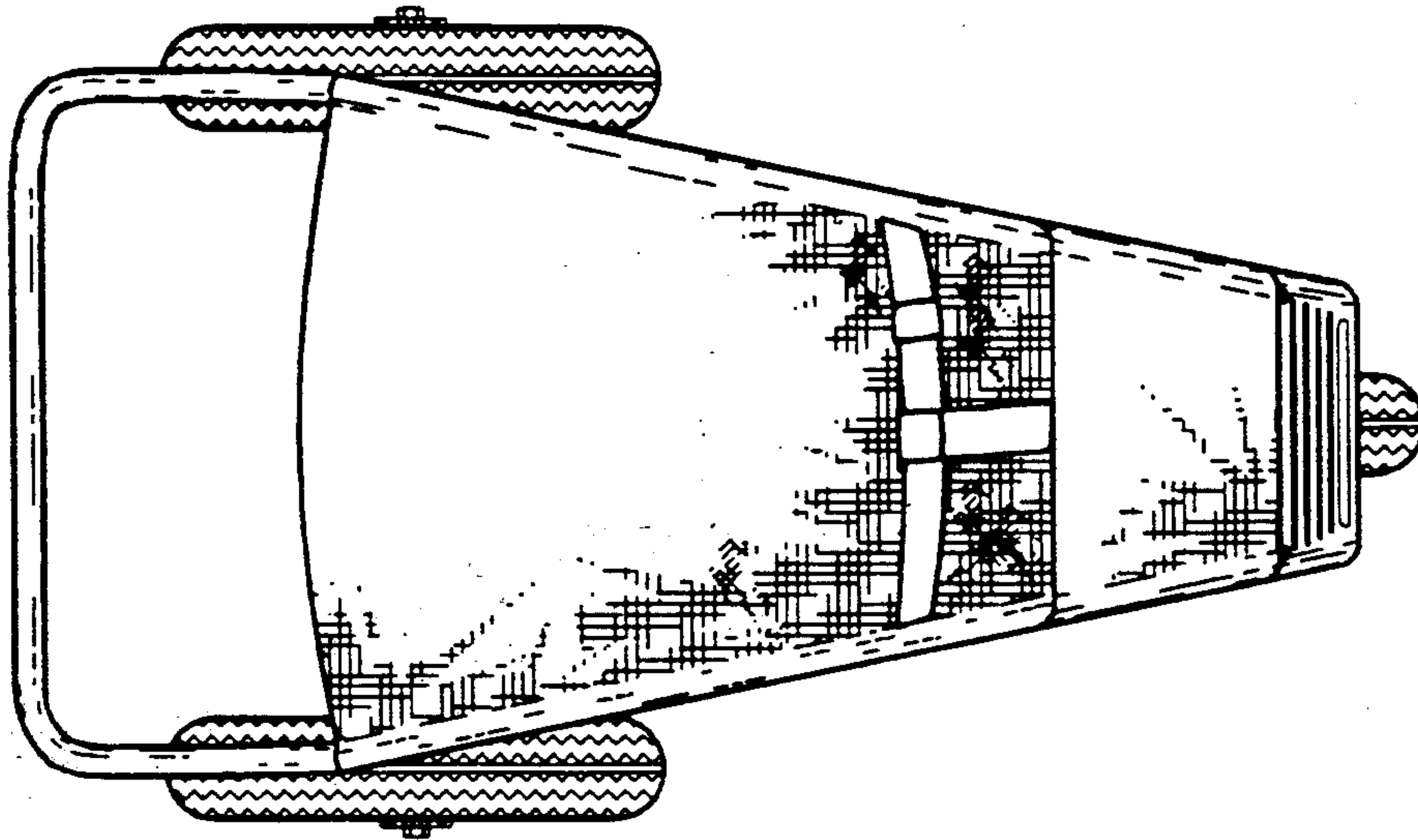


Figure 3

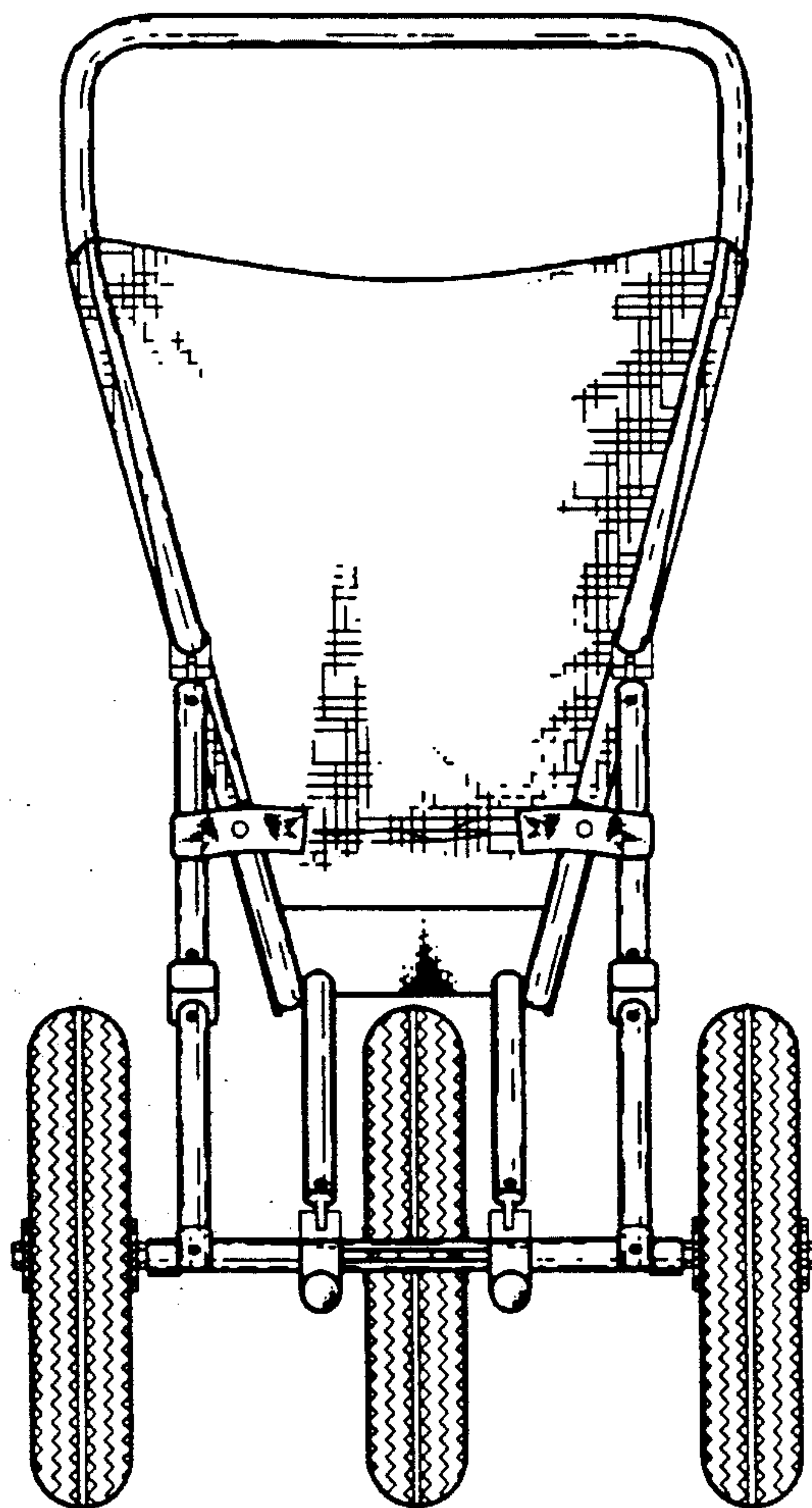


Figure 4

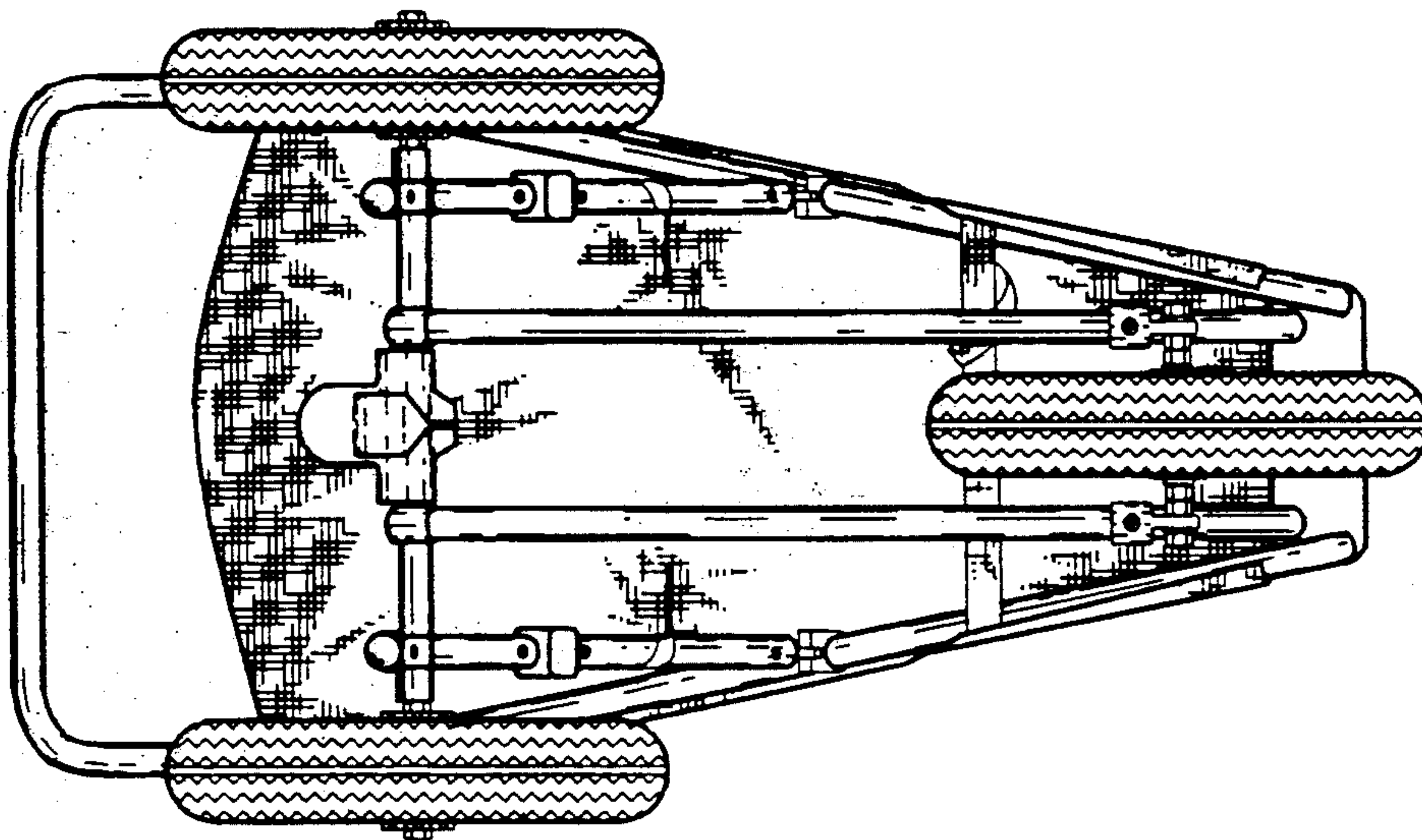


Figure 5