



US00D343811S

# United States Patent [19]

[11] Patent Number: **Des. 343,811**

**Weidberg**

[45] Date of Patent: **\*\* Feb. 1, 1994**

## [54] BICYCLE SEAT SUPPORT

[76] Inventor: **Clifford R. Weidberg**, 11 Constance Ct., Hauppauge, N.Y. 11788

[\*\*] Term: **14 Years**

[21] Appl. No.: **805,929**

[22] Filed: **Dec. 12, 1991**

[52] U.S. Cl. .... **D12/119; D12/111**

[58] Field of Search ..... **297/195, 199, DIG. 9; 280/281.1, 288.1, 288.2, 288.3; D12/111**

### [56] References Cited

#### U.S. PATENT DOCUMENTS

28,550 5/1898 Morrow ..... D12/111  
D. 244,593 6/1977 Manofsky et al. .... D12/111

## OTHER PUBLICATIONS

American Bicyclist & Motorcyclist, Aug. 1991, p. 12, the MTB bicycle frame No. FE-6004.

*Primary Examiner*—Wallace R. Burke  
*Assistant Examiner*—Melody Brown

## [57] CLAIM

The ornamental design for a bicycle seat support, as shown and described.

## DESCRIPTION

FIG. 1 is a left side elevational view of a bicycle seat support showing my new design;

FIG. 2 is a rear view thereof;

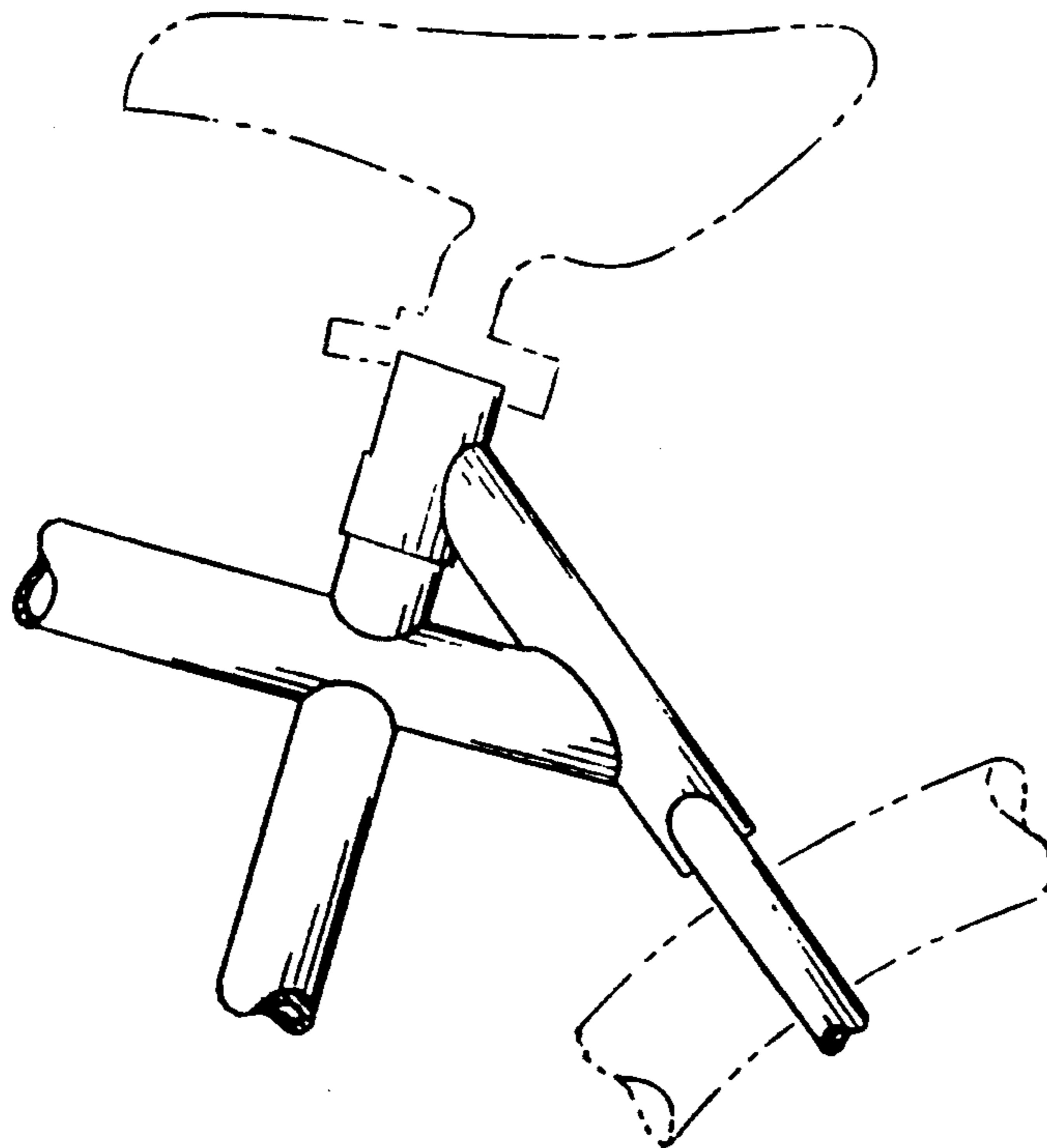
FIG. 3 is a right side elevational view thereof;

FIG. 4 is a front view thereof;

FIG. 5 is a top view thereof; and,

FIG. 6 is a bottom view thereof.

The broken lines shown in all views of the drawing are for illustrative purposes only and form no part of the claimed design.



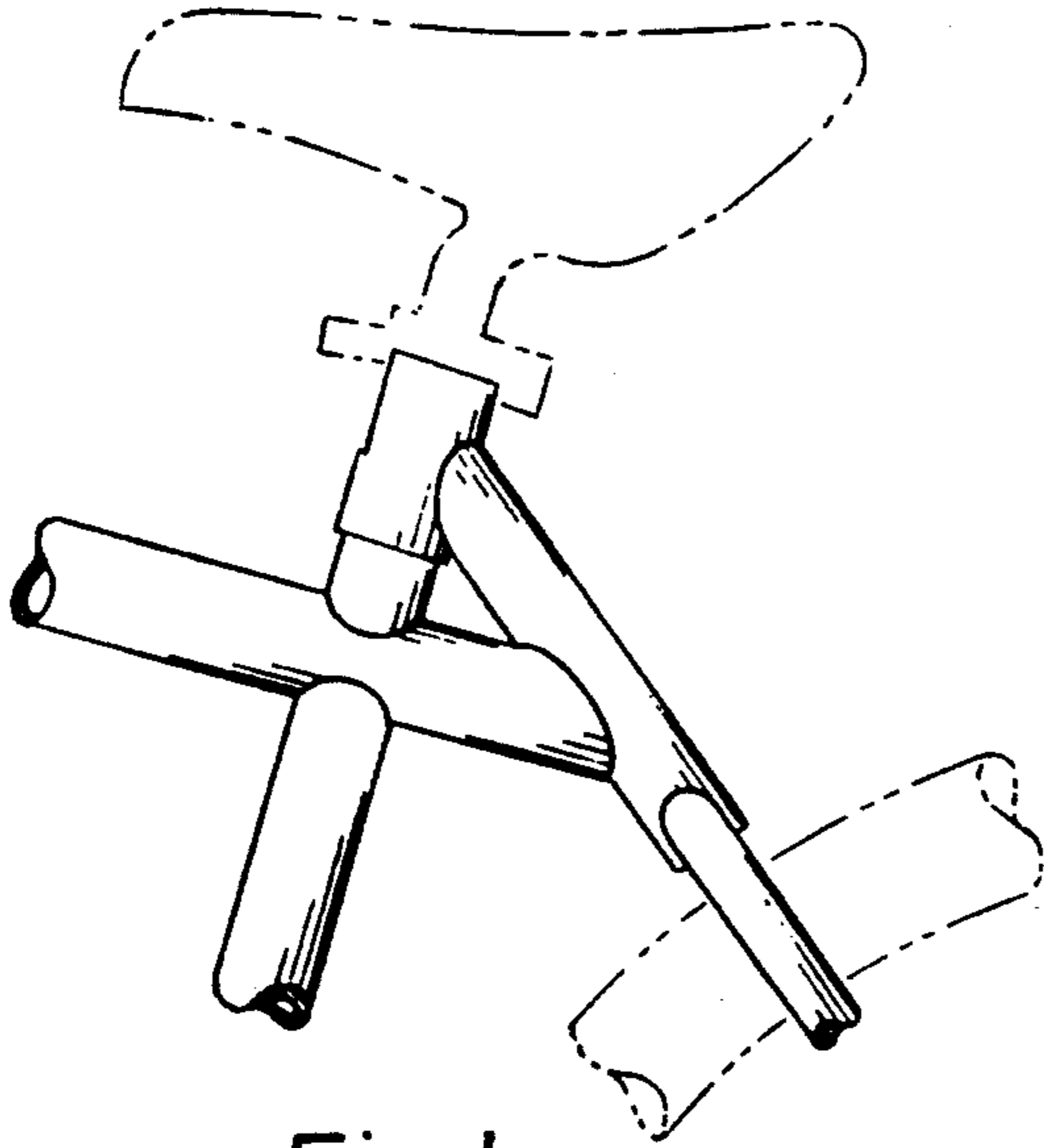


Fig. 1

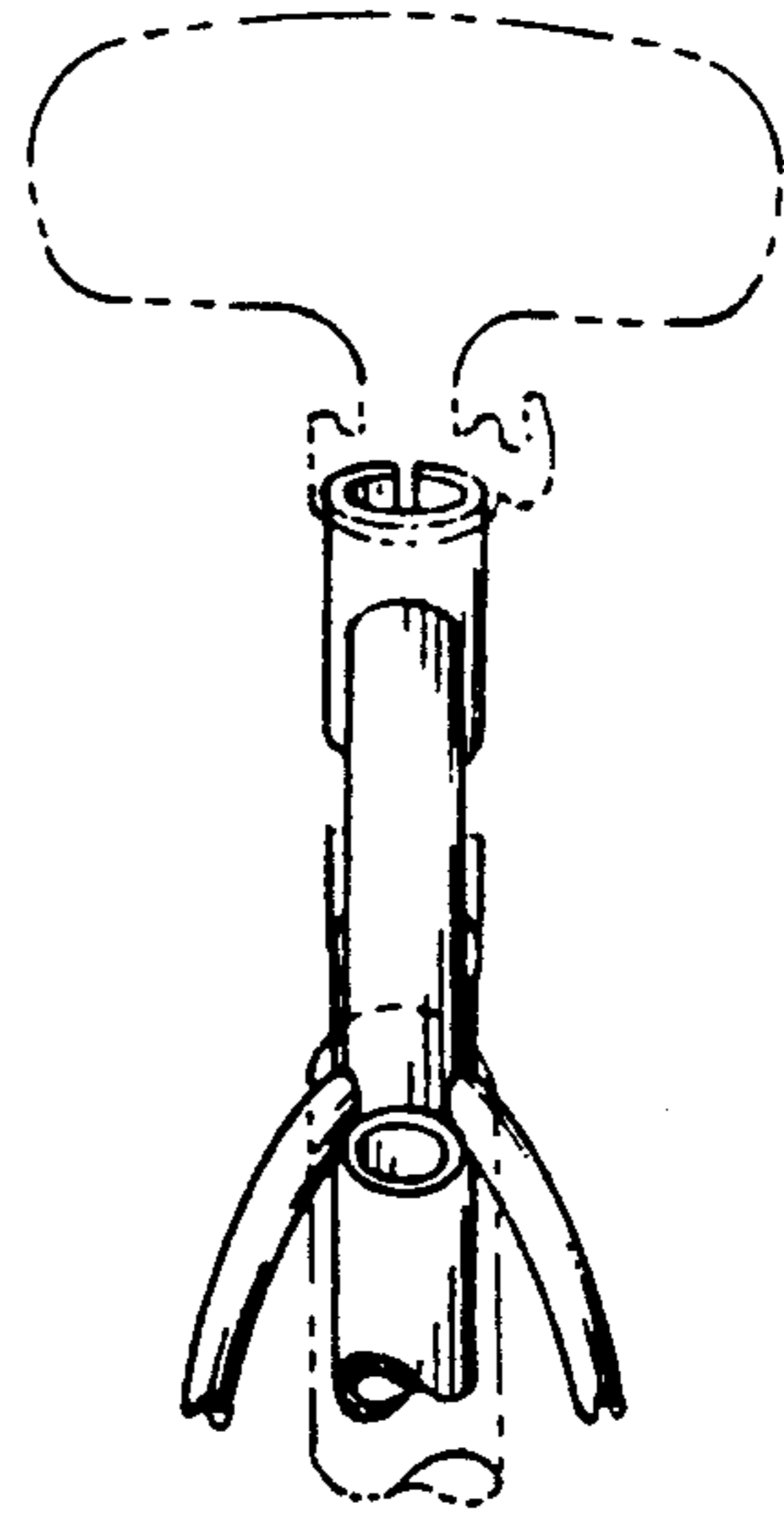


Fig. 2

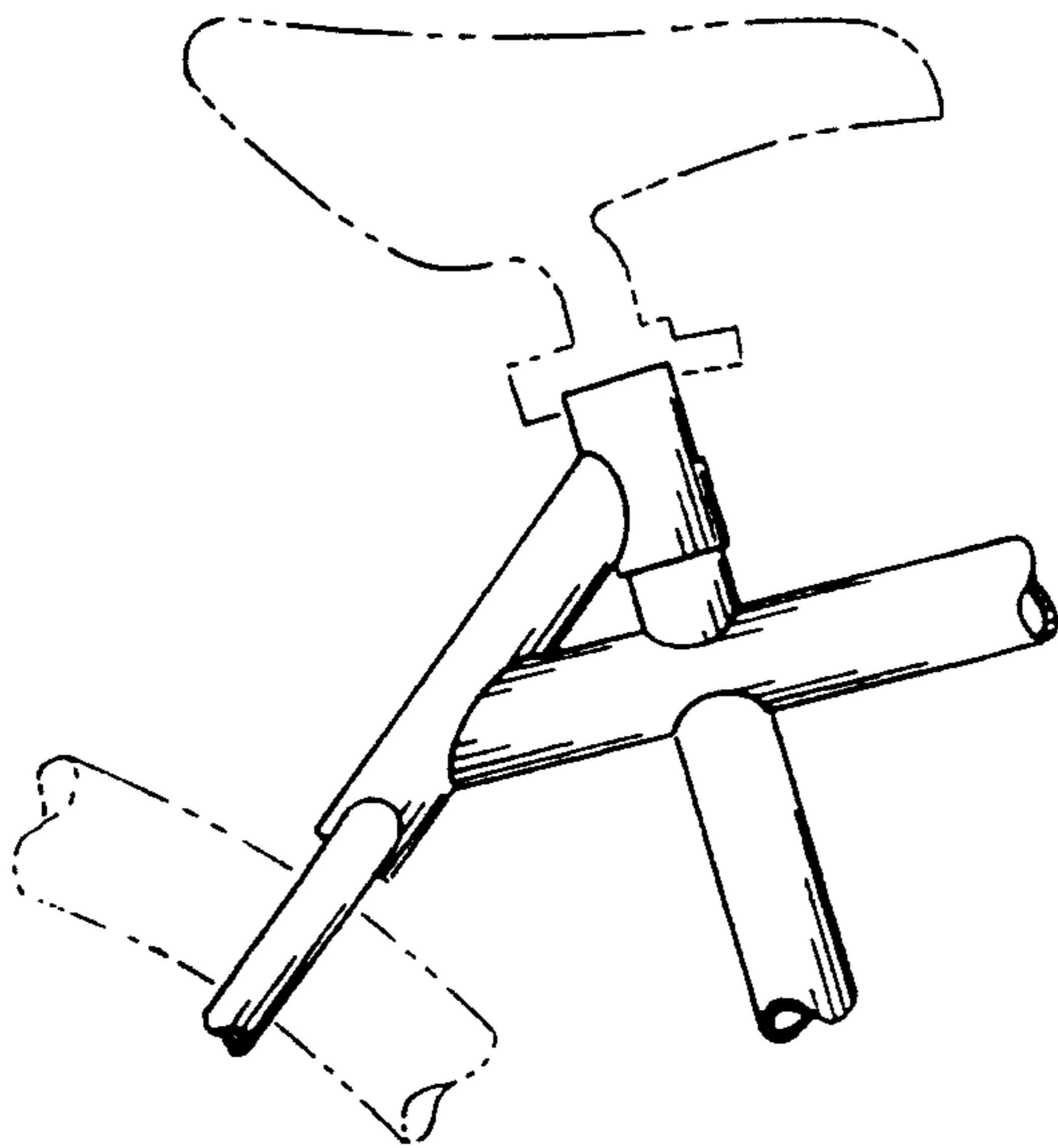


Fig. 3

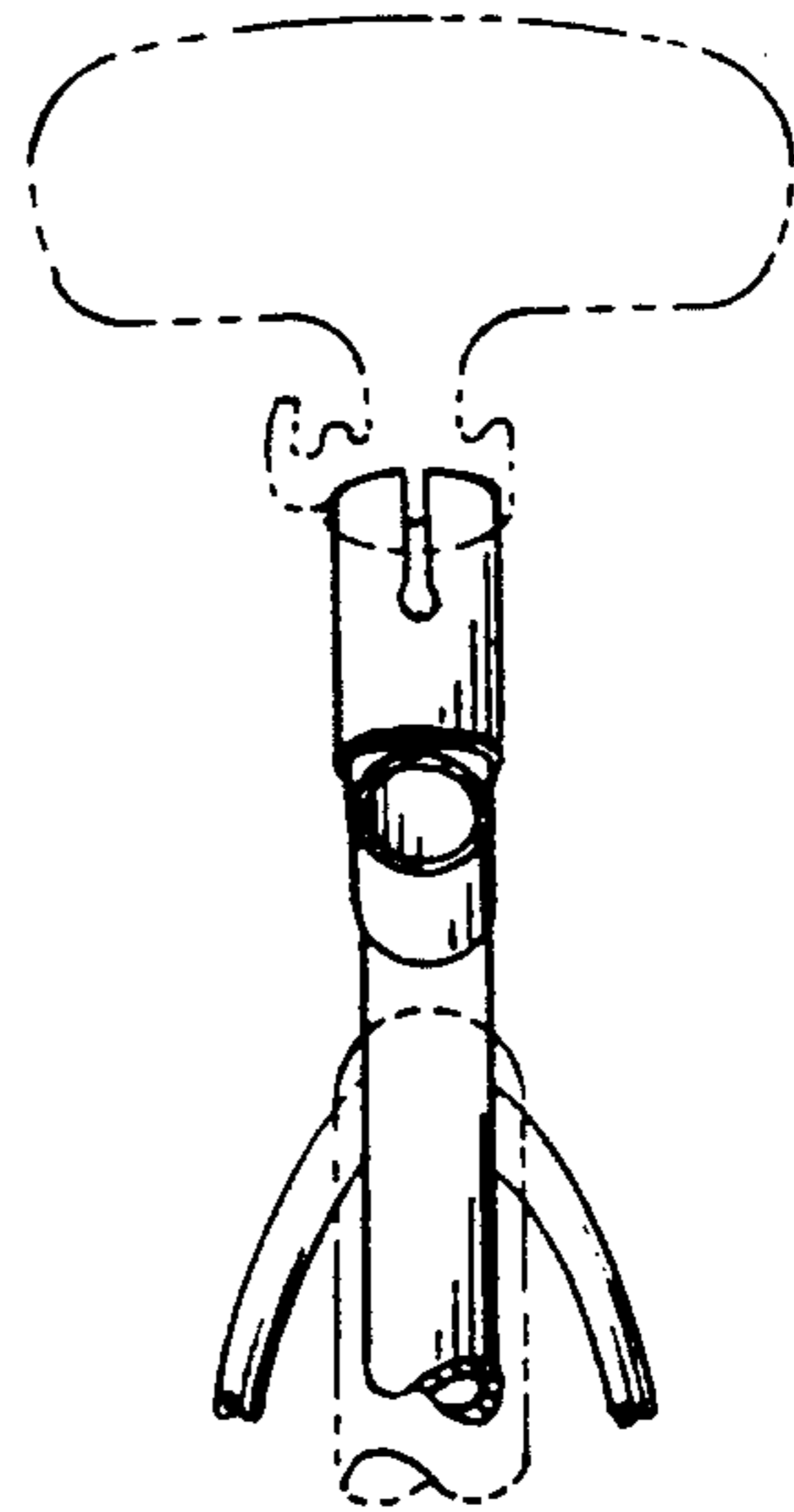


Fig. 4

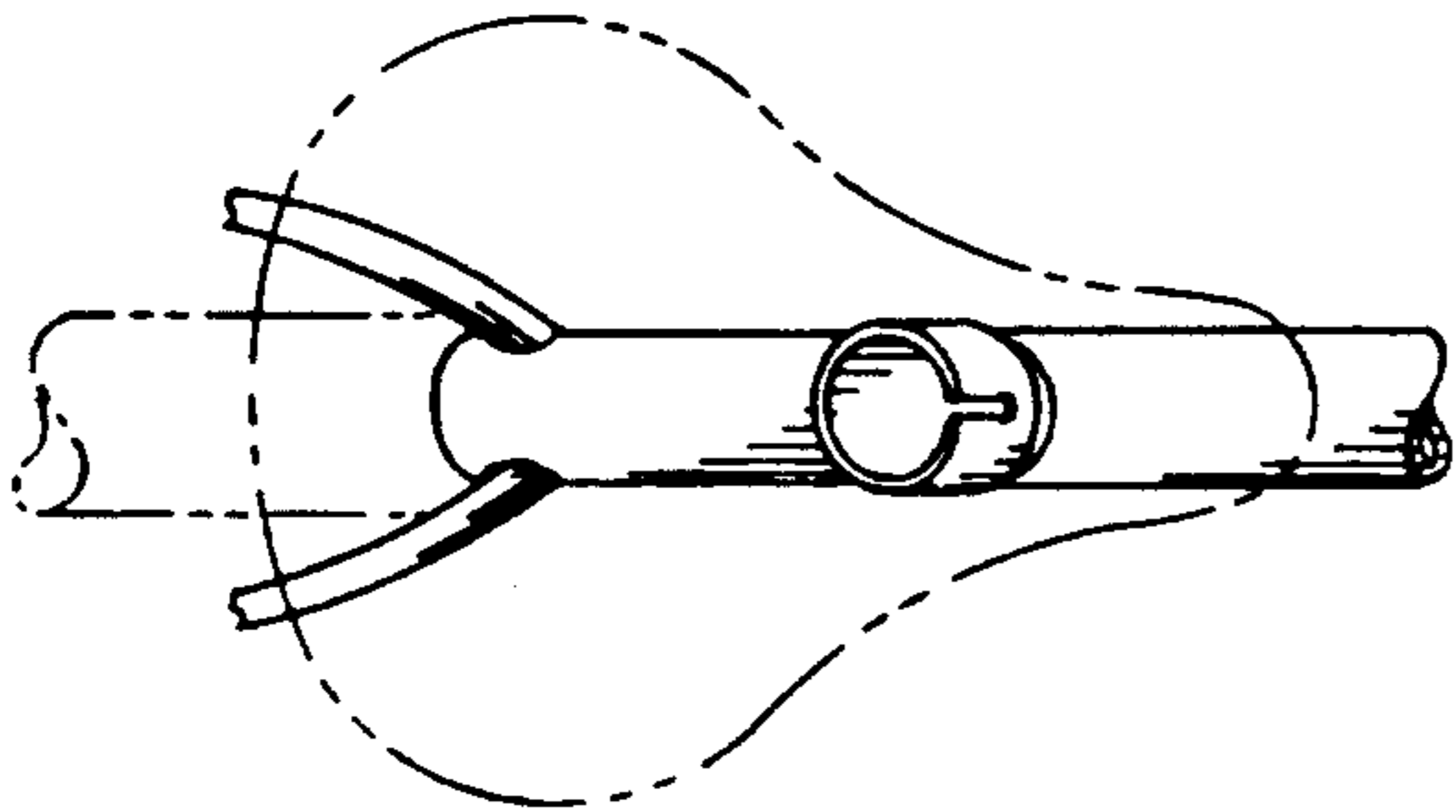


Fig. 5

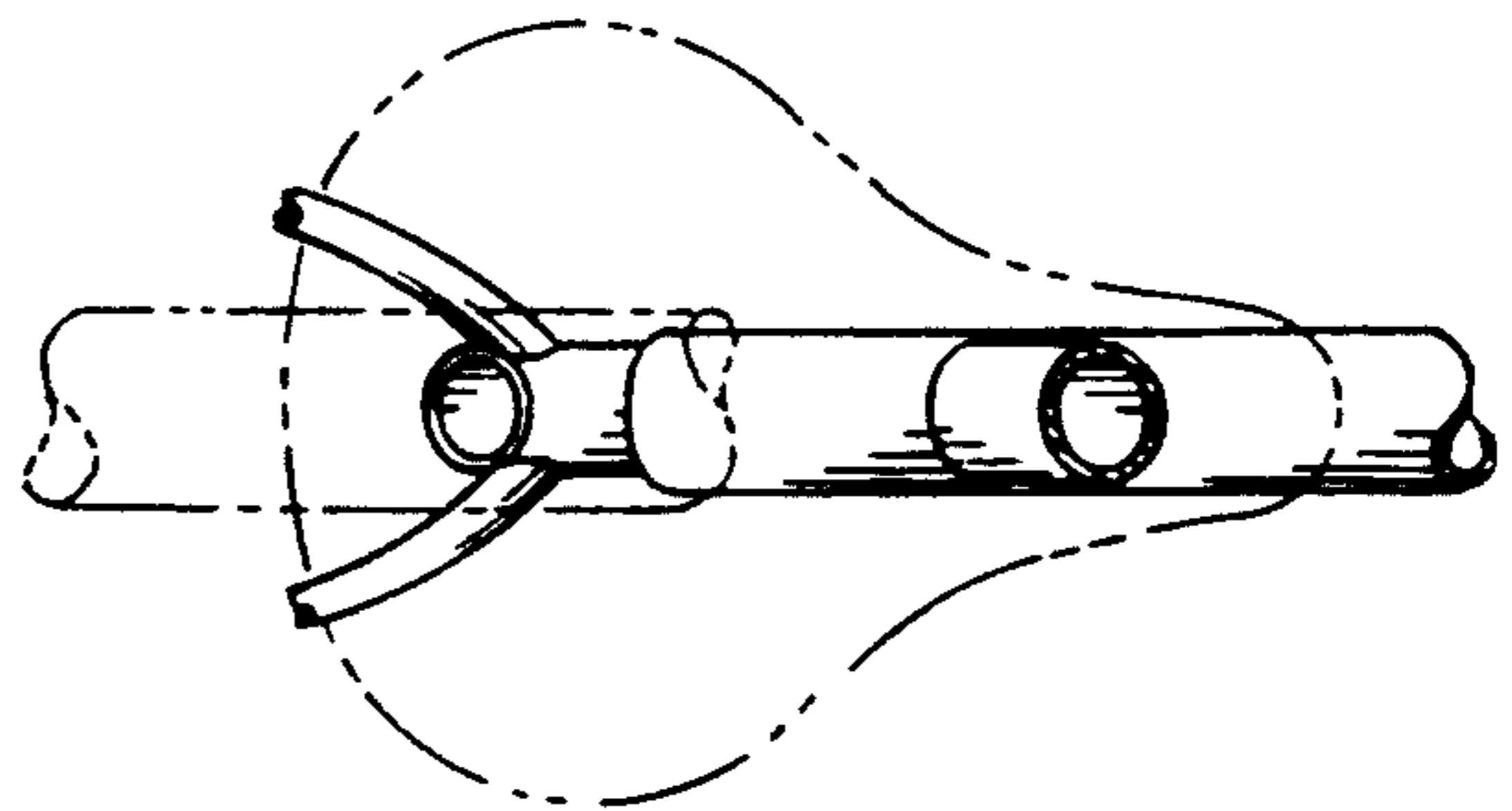


Fig. 6