



US00D343810S

United States Patent [19]

[11] Patent Number: **Des. 343,810**

Sanborn

[45] Date of Patent: **** Feb. 1, 1994**

[54] BICYCLE

D. 302,801 8/1989 Lacroix D12/110
D. 320,961 1/1991 Hikida D12/110

[75] Inventor: **Jim V. Sanborn, Ft. Lauderdale, Fla.**

[73] Assignee: **J & B Importers, Inc., Miami, Fla.**

[**] Term: **14 Years**

Primary Examiner—Wallace R. Burke
Assistant Examiner—Melody Brown
Attorney, Agent, or Firm—Malloy & Malloy

[21] Appl. No.: **912,603**

[57] **CLAIM**

The ornamental design for a bicycle, as shown.

[22] Filed: **Jul. 13, 1992**

DESCRIPTION

[52] U.S. Cl. **D12/111**

[58] Field of Search 280/281.1, 288.1, 288.2;
180/219; D12/111, 110

FIG. 1 is a right side elevational view of a bicycle showing my new design;

FIG. 2 is a front elevational view thereof;

FIG. 3 is a rear elevational view thereof;

FIG. 4 is a left side elevational view thereof;

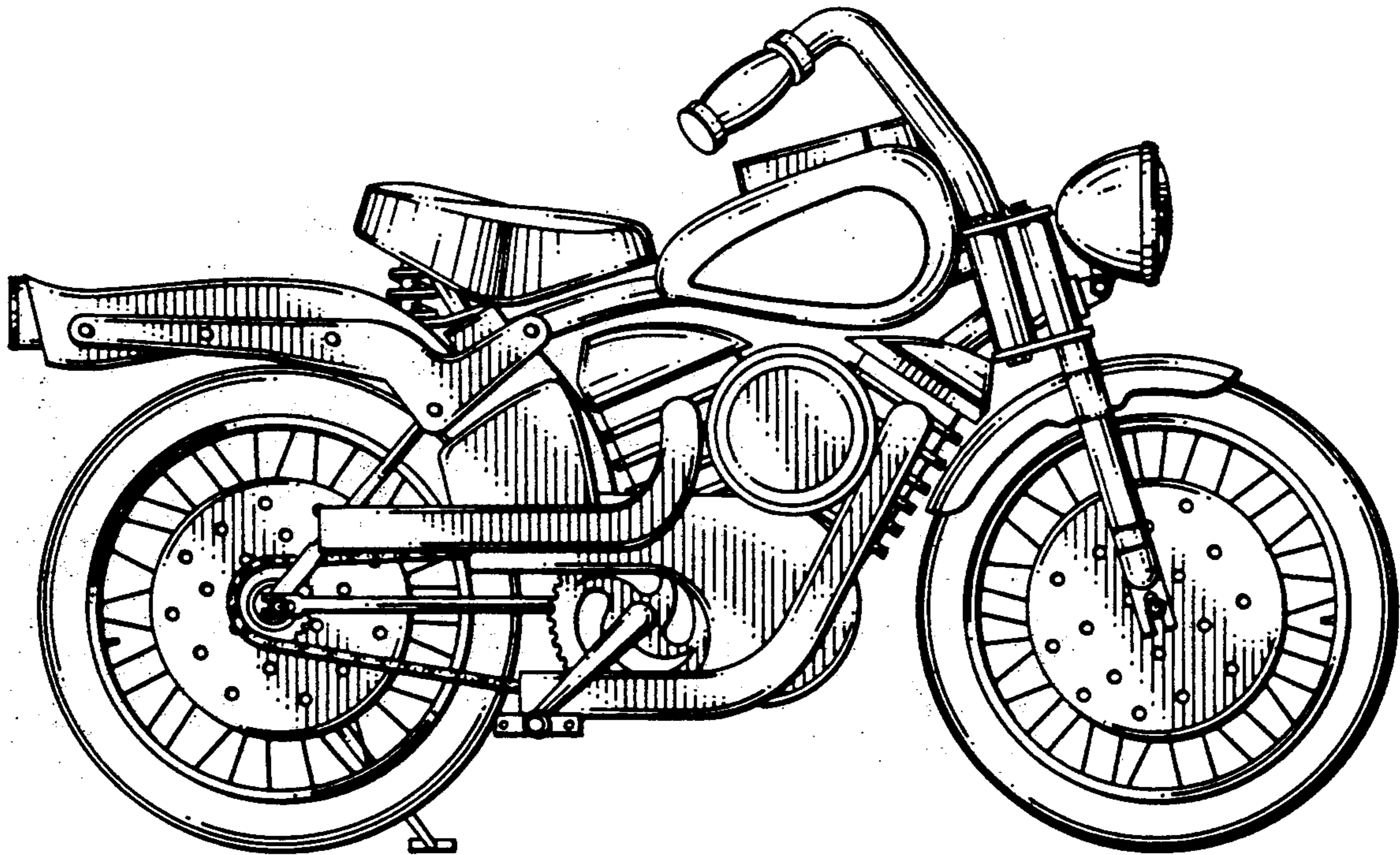
FIG. 5 is a top plan view thereof; and,

FIG. 6 is a bottom plan view thereof.

[56] **References Cited**

U.S. PATENT DOCUMENTS

D.294,338 2/1988 Yamada et al. D12/110



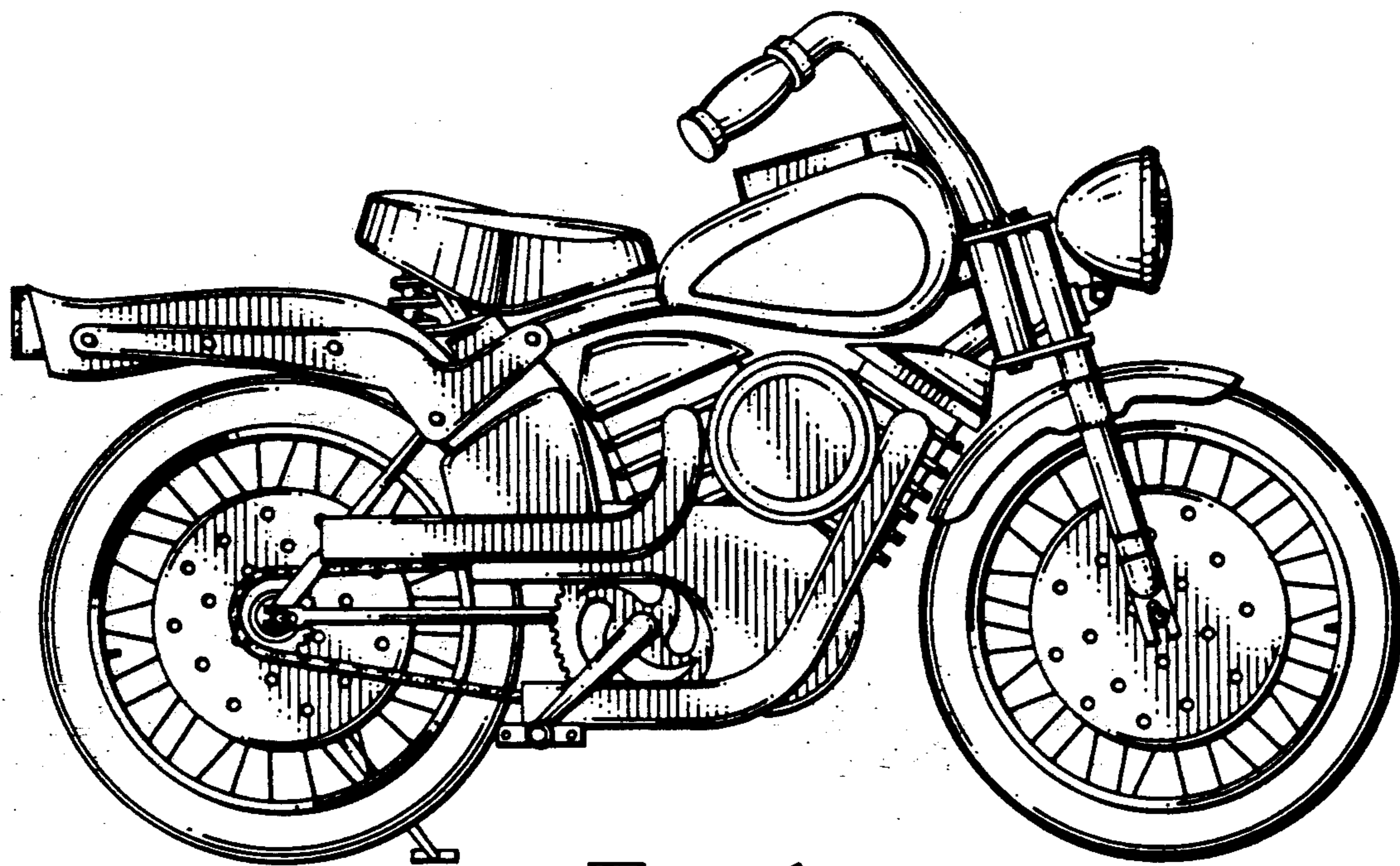


FIG. 1

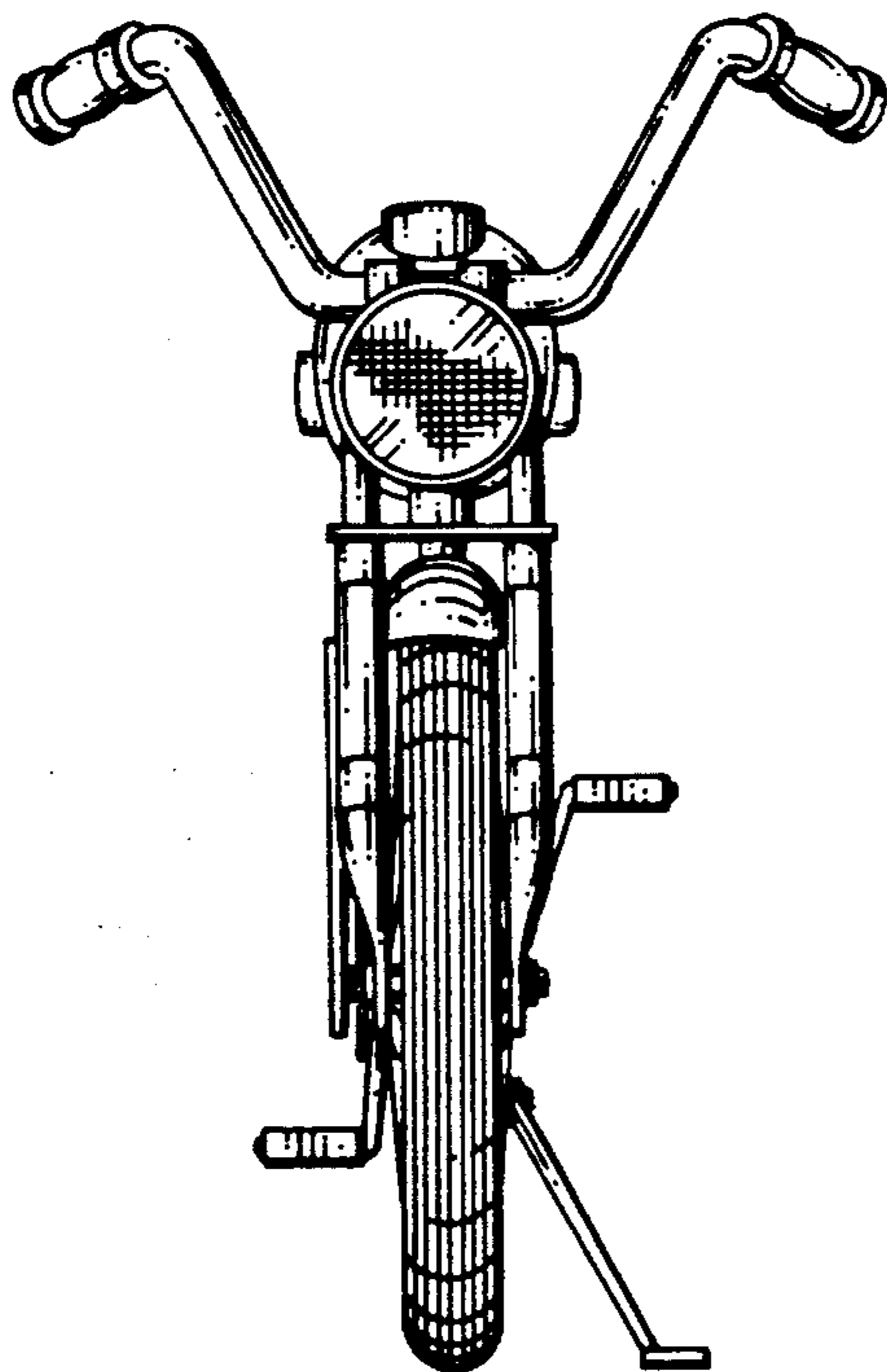


FIG. 2

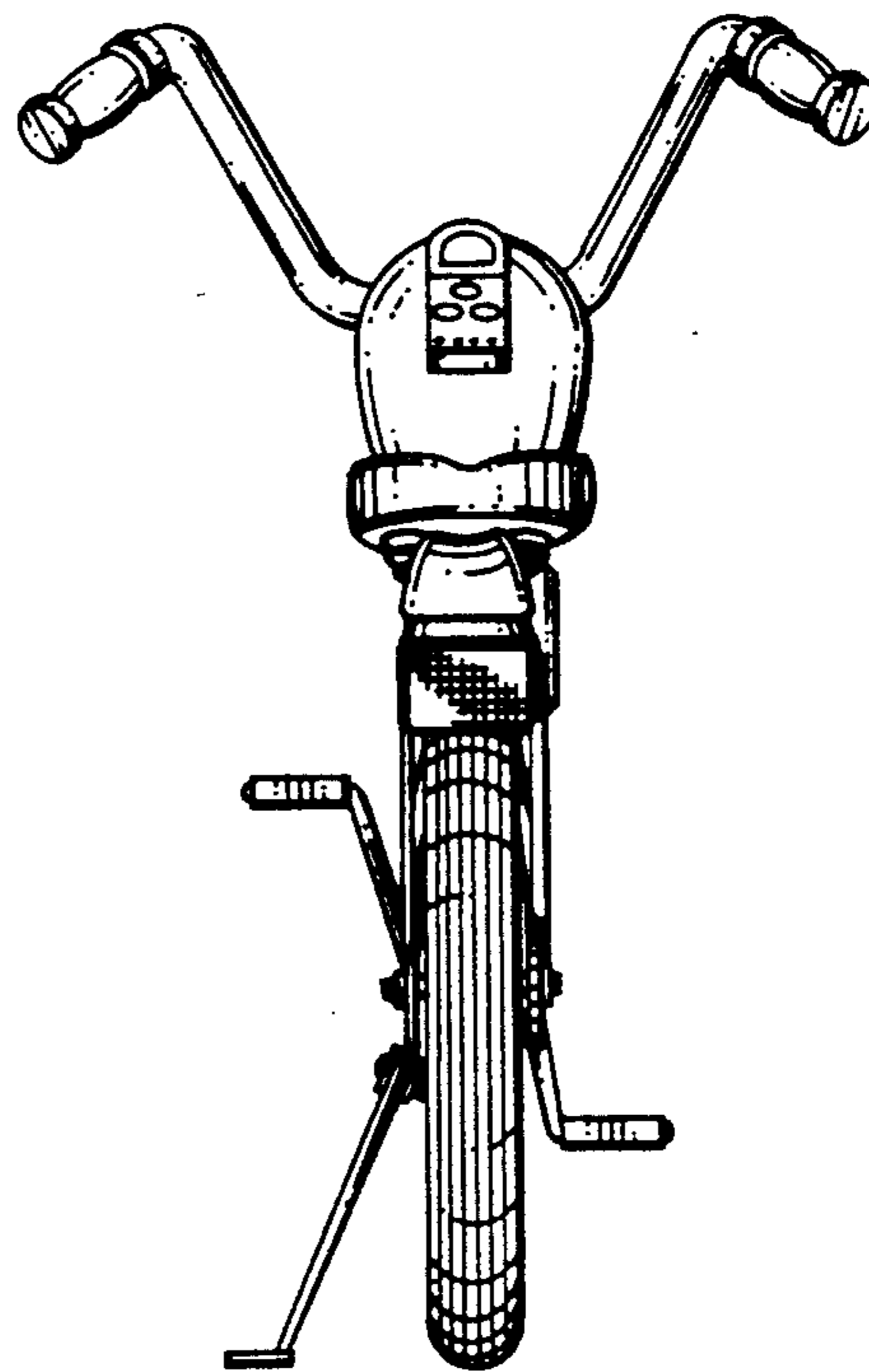


FIG. 3

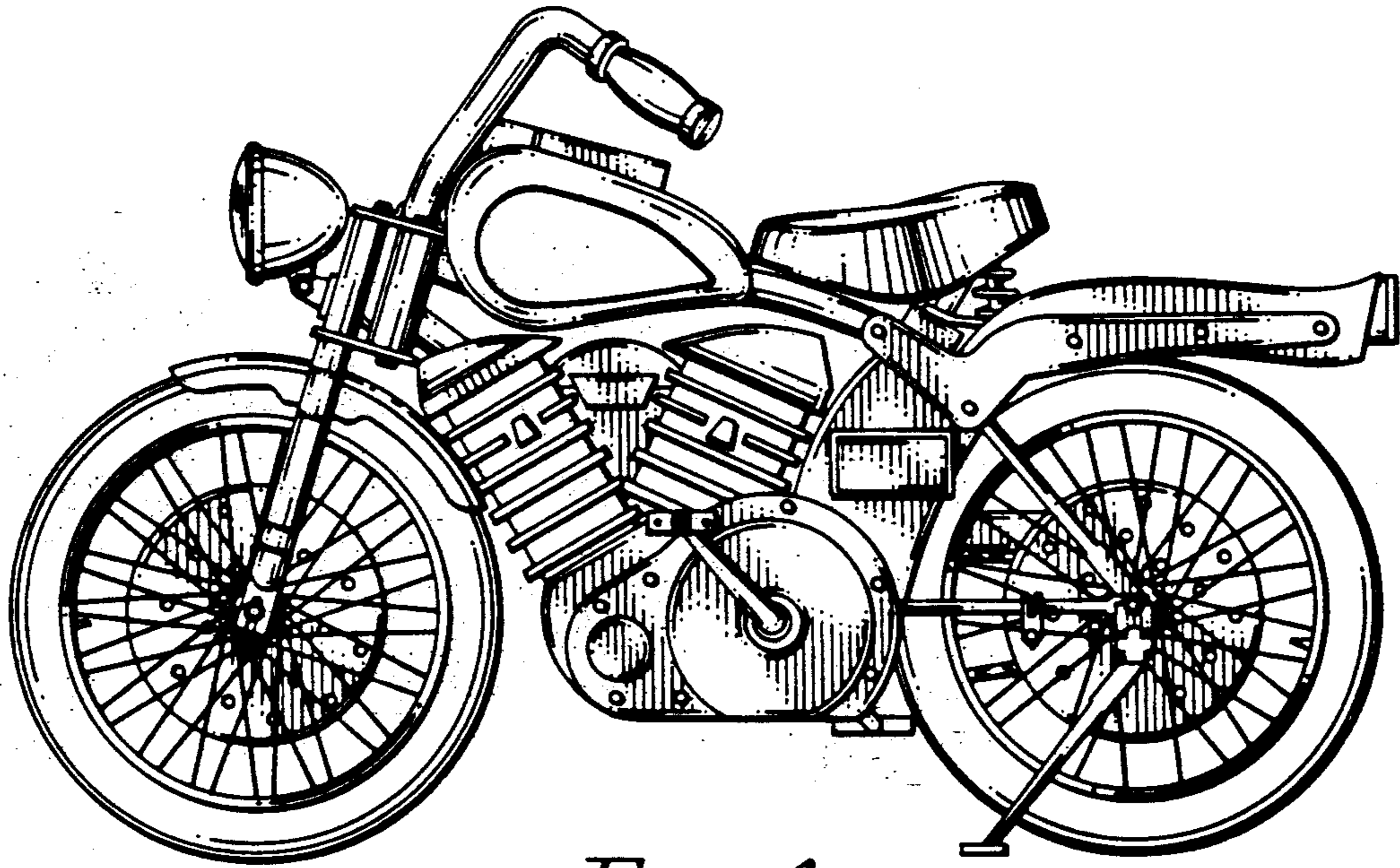


FIG. 4

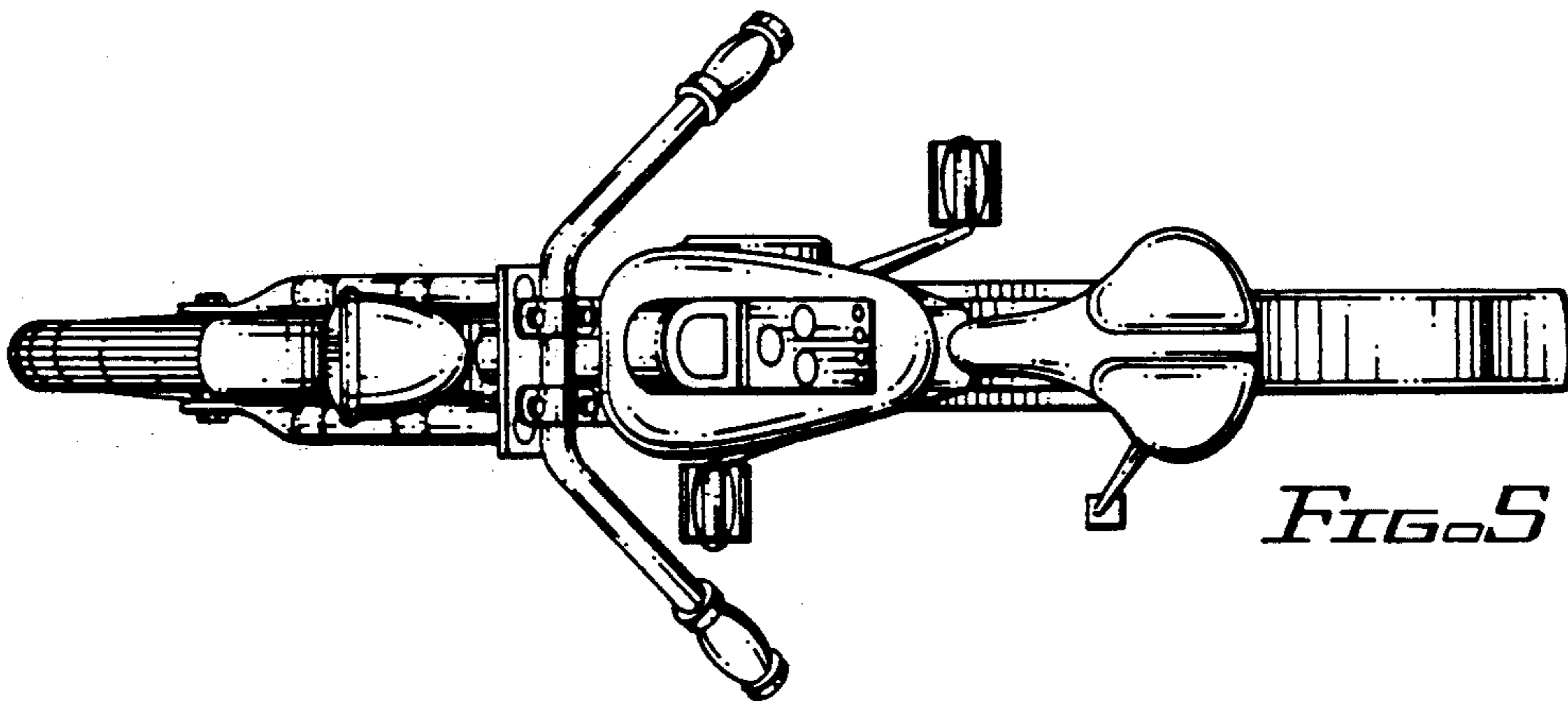


FIG. 5

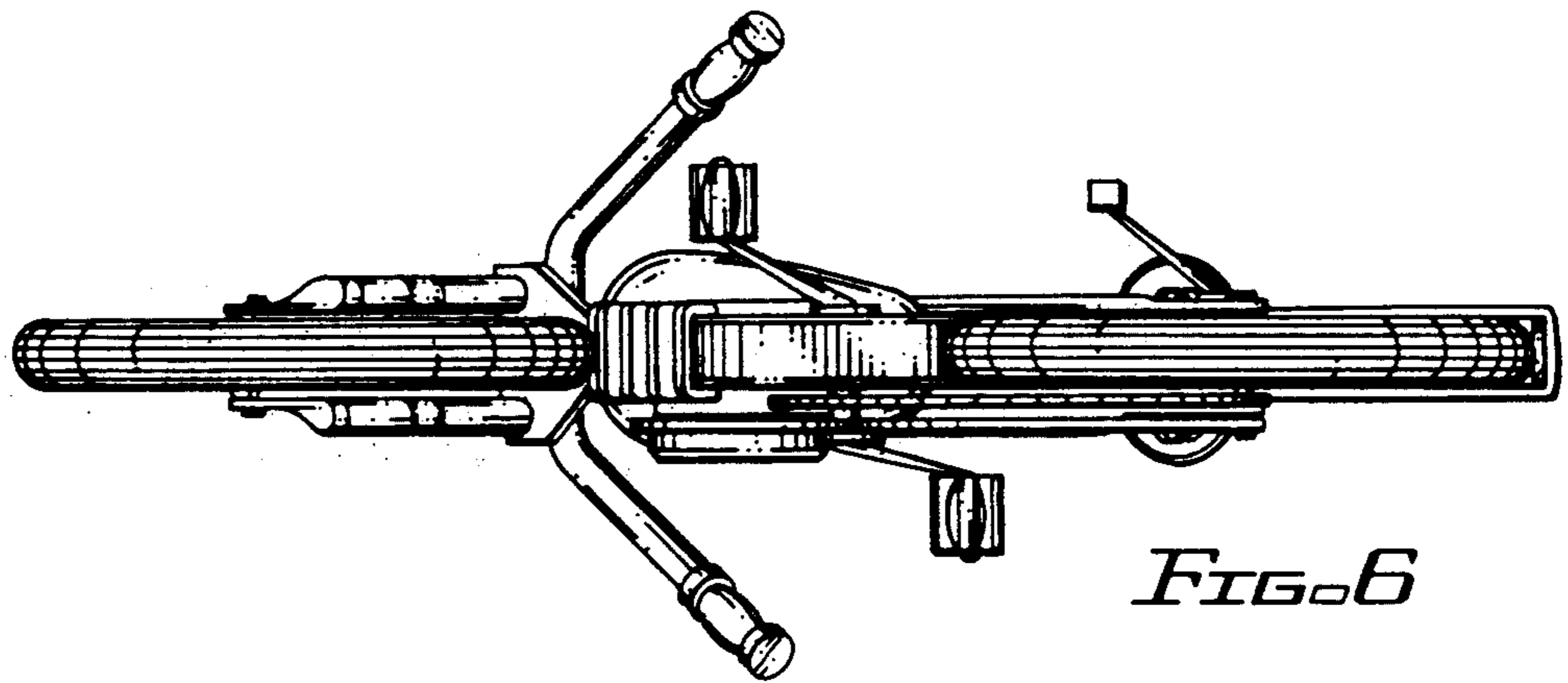


FIG. 6