



US00D343806S

United States Patent [19]

[11] Patent Number: **Des. 343,806**

Bedoyan

[45] Date of Patent: **** Feb. 1, 1994**

[54] **FOUR-SIDED LINK-BASED JEWELRY ROPE CHAIN**

[75] Inventor: **Krikor Bedoyan**, North Hollywood, Calif.

[73] Assignee: **Oroamerica, Inc.**, Burbank, Calif.

[**] Term: **14 Years**

[21] Appl. No.: **831,970**

[22] Filed: **Feb. 6, 1992**

Related U.S. Application Data

[63] Continuation-in-part of Ser. No. 575,502, Aug. 27, 1990, Pat. No. Des. 330,343.

[52] U.S. Cl. **D11/13; D11/6**

[58] Field of Search **59/78, 80, 82-85, 59/90, 91; 63/1.1, 2, 3, 4; D11/1-18**

[56] References Cited

U.S. PATENT DOCUMENTS

D. 256,789	9/1980	Mazzini	D11/13
D. 321,148	8/1991	Chiaramorti et al.	D11/12
4,651,517	3/1987	Benhama et al.	59/80

Primary Examiner—A. Hugo Word
Assistant Examiner—R. Seifert
Attorney, Agent, or Firm—Drucker & Sommers

[57] CLAIM

The ornamental design for a four-sided link-based jewelry rope chain, as shown and described.

DESCRIPTION

FIG. 1 is a perspective view of a single link of a four-sided link-based jewelry rope chain, showing my new design, the jewelry chain being omitted for ease of illustration;

FIG. 2 is a perspective view of an alternate single link to that shown in FIG. 1 of a four-sided link based jewelry rope chain, the chain being omitted for ease of illustration;

FIG. 3 is a perspective view of the jewelry chain;

FIG. 4 is a side elevational view of FIG. 3, the non-exposed side elevational view being essentially the same;

FIG. 5 is an end view taken along the line 5—5 of FIG. 3; and,

FIG. 6 is an end view taken along the line 6—6 of FIG. 3.

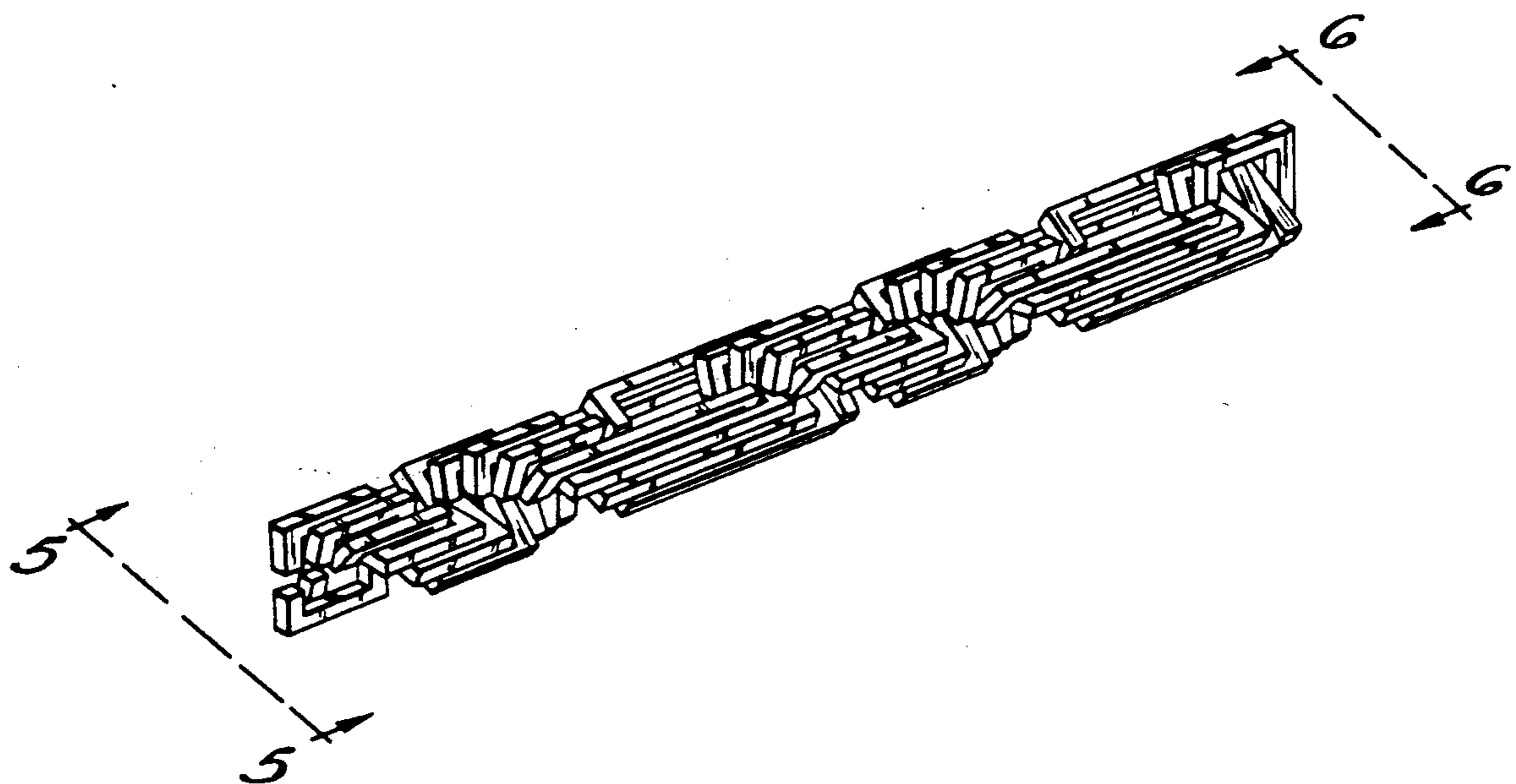


Fig. 1

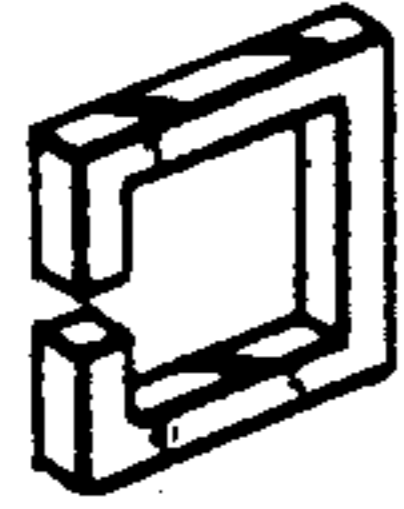


Fig. 2

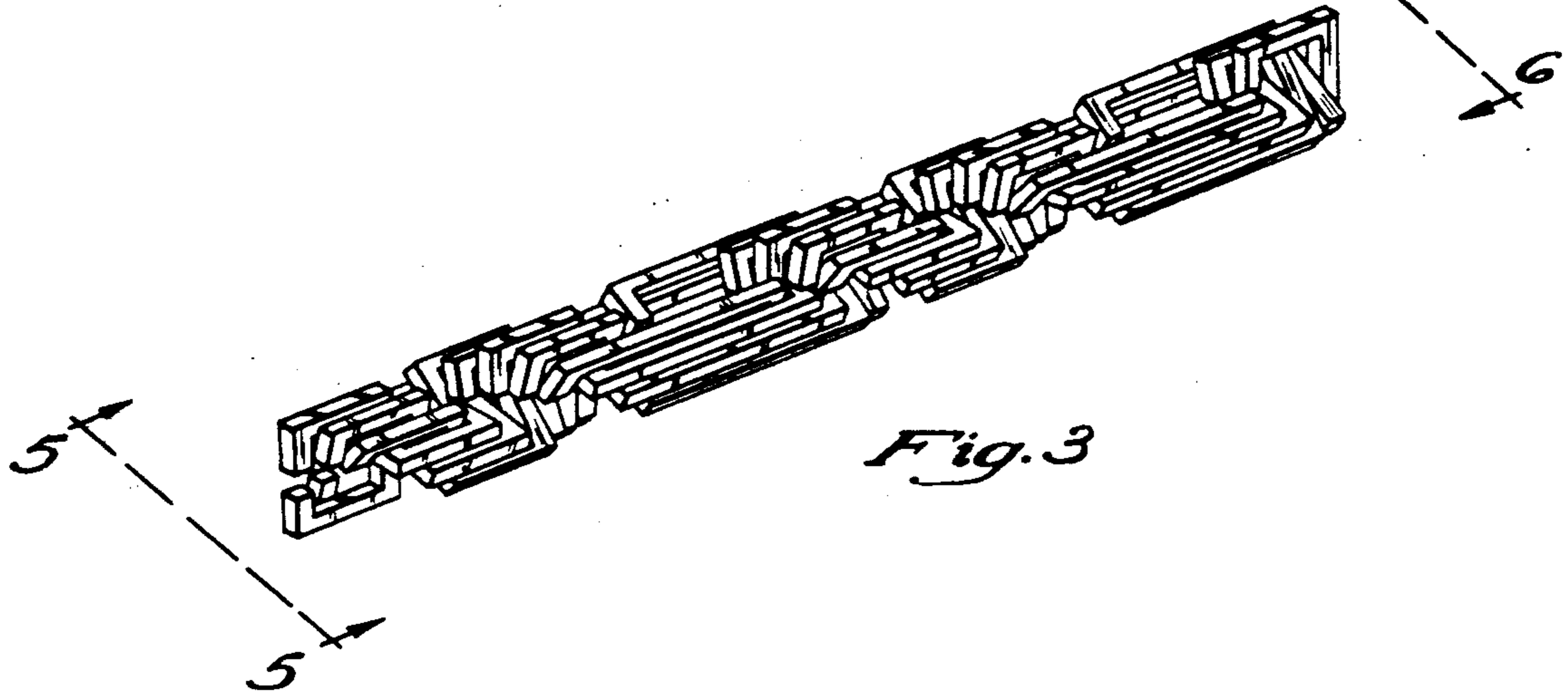
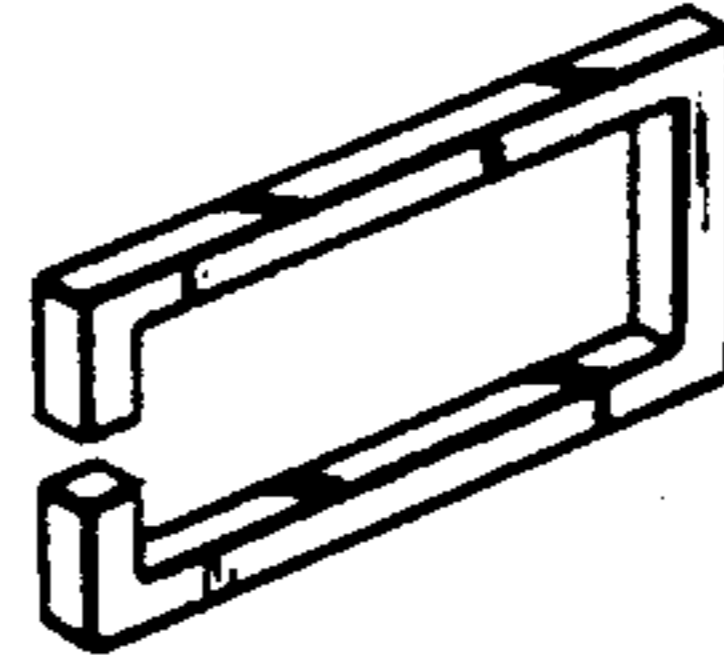


Fig. 3

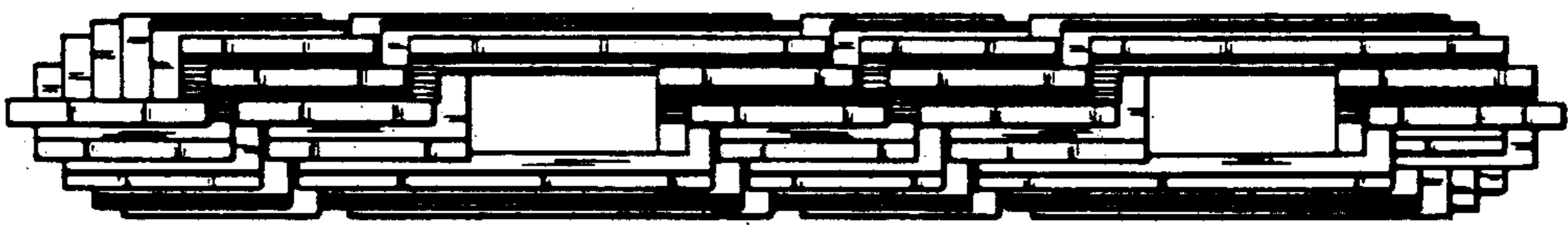


Fig. 4

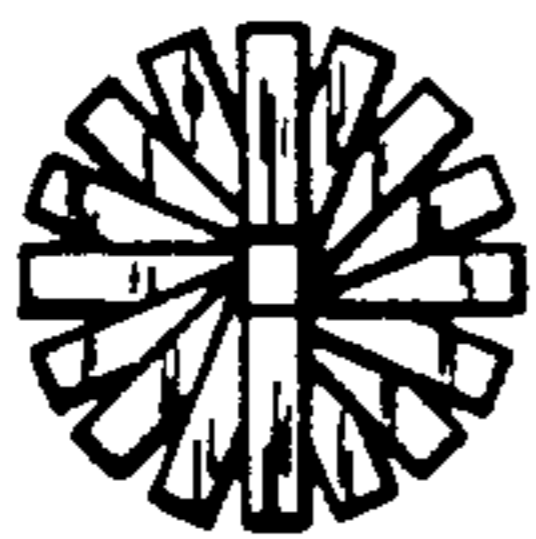


Fig. 5



Fig. 6