



US00D343800S

United States Patent [19]

[11] Patent Number: **Des. 343,800**

Spinks et al.

[45] Date of Patent: **** Feb. 1, 1994**

[54] **ELECTRONIC MEASURING/MONITORING INSTRUMENT**

D. 329,988 10/1992 Burrell et al. D10/75
4,107,459 8/1978 Stamper D14/100 X
4,660,126 4/1987 Köster et al. 324/156 X

[75] Inventors: **Robert G. Spinks**, Twinsburg; **David J. Kruszewski**, Parma; **Michael P. Minneman**, Hudson; **Kenneth A. Reindel**, Broadview Heights, all of Ohio

OTHER PUBLICATIONS

Fordham; 1988 Vol. 14, No. 2; p. 31; Model 2831-3½ Digit Lab DMM; Upper Right of page.
Fordham; 1988 vol. 14, No. 2; p. 28, Model 1822, 175 Mhz Universal Counter; 3rd Item down on page.

[73] Assignee: **Keithley Instruments, Inc.**, Cleveland, Ohio

Primary Examiner—Bernard Ansher
Assistant Examiner—Mitchell Siegel
Attorney, Agent, or Firm—Pearne, Gordon, McCoy & Granger

[**] Term: **14 Years**

[21] Appl. No.: **775,258**

[57] CLAIM

[22] Filed: **Oct. 11, 1991**

[52] U.S. Cl. **D10/75**

The ornamental design for an electronic measuring-/monitoring instrument, as shown and described.

[58] Field of Search 324/73.1, 115, 156,
324/157; D14/100, 106, 299; D10/46, 71, 75,
76, 91

DESCRIPTION

[56] References Cited

U.S. PATENT DOCUMENTS

D. 251,370 3/1979 Katzmann et al. D10/75 X
D. 258,360 2/1981 Mourad D14/114
D. 265,384 7/1982 Kay D10/75
D. 289,504 4/1987 McCain et al. D10/75 X
D. 308,645 6/1990 Hughes et al. D10/75
D. 326,235 5/1992 Bastijanac et al. D10/75

FIG. 1 is a top, front and right side isometric view of an electronic measuring/monitoring instrument showing our new design;

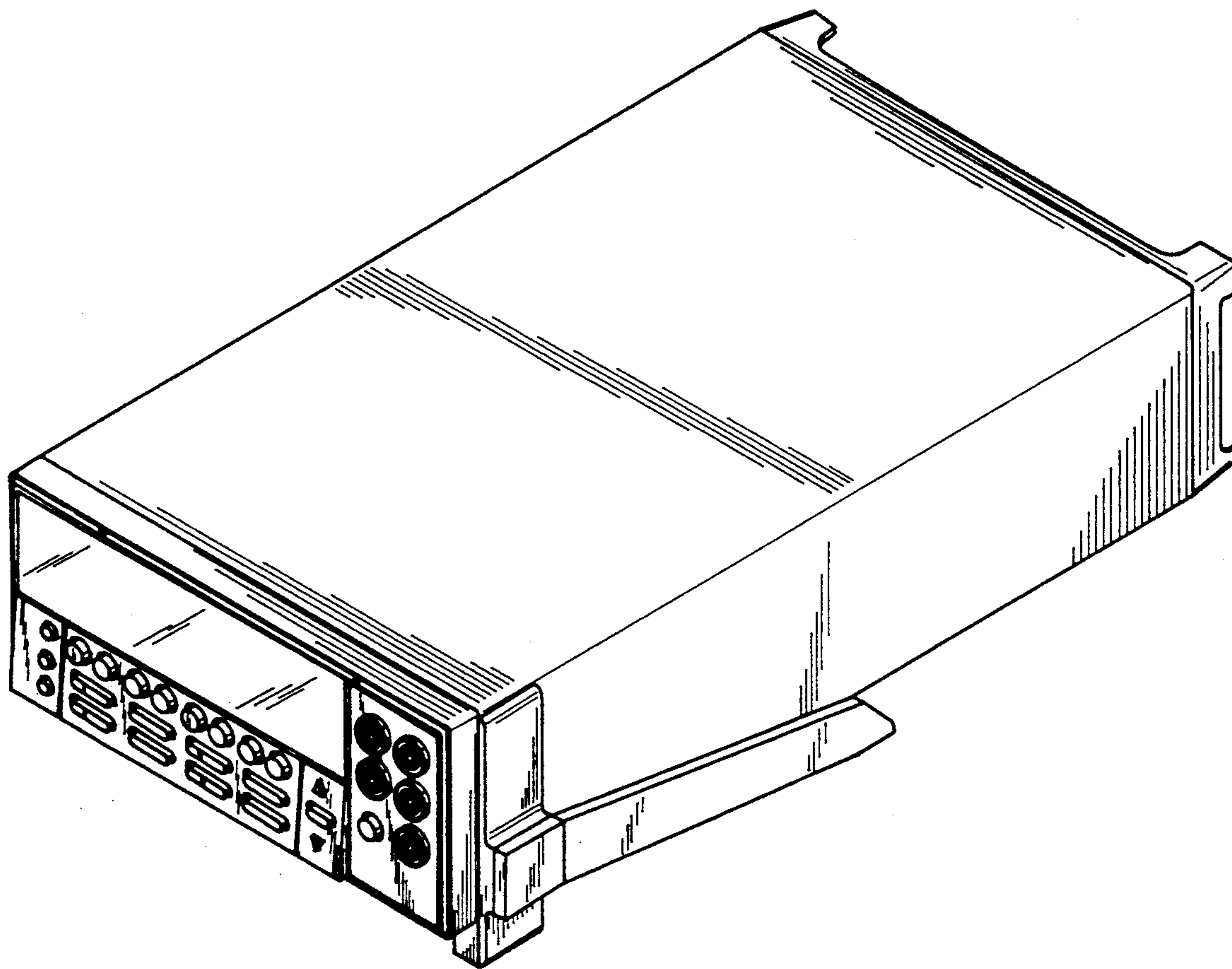
FIG. 2 is a front elevational view thereof;

FIG. 3 is a top plan view thereof;

FIG. 4 is a right side elevational view thereof, the undisclosed opposite side being a mirror image;

FIG. 5 is a rear elevational view thereof; and,

FIG. 6 is a bottom plan view thereof.



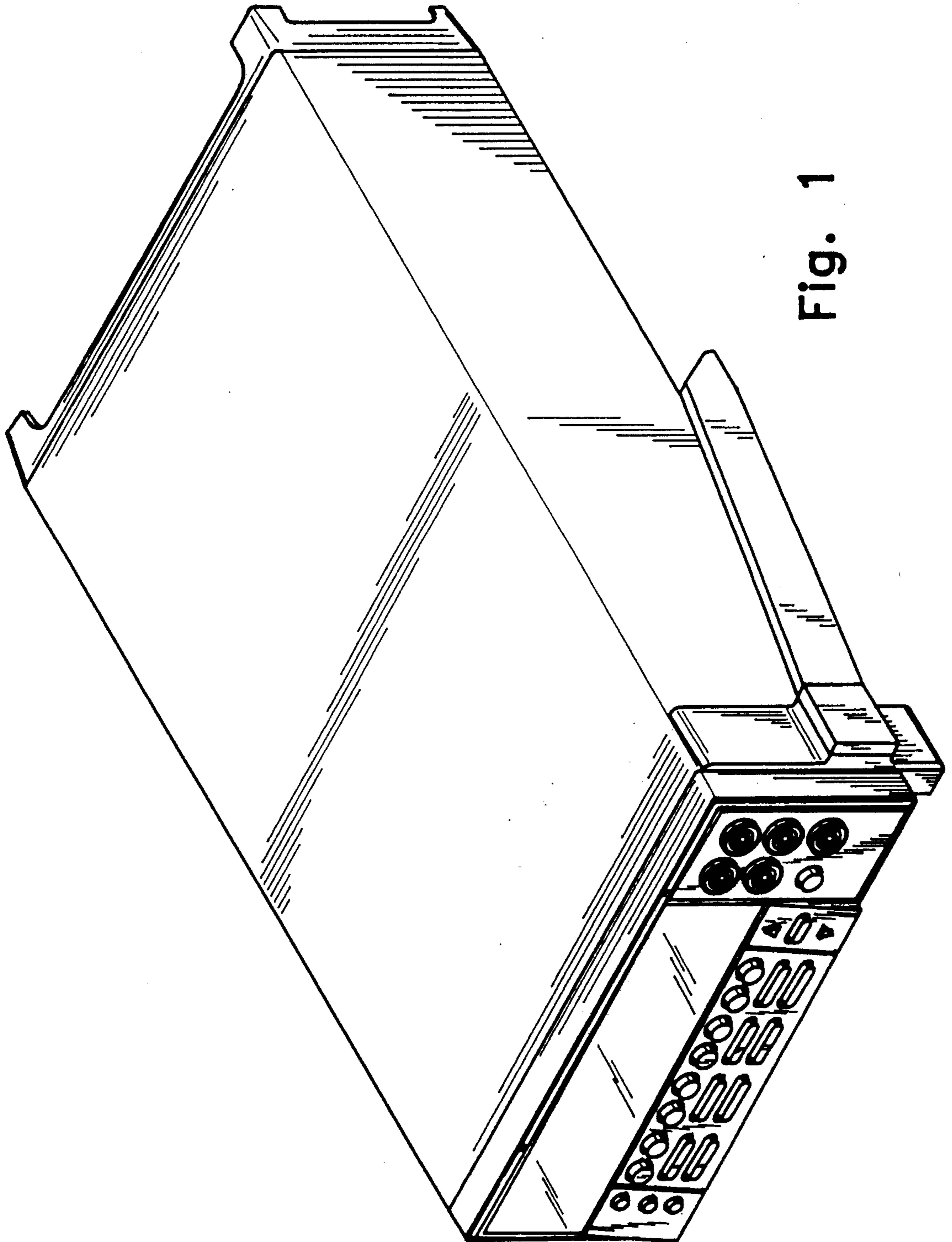


Fig. 1

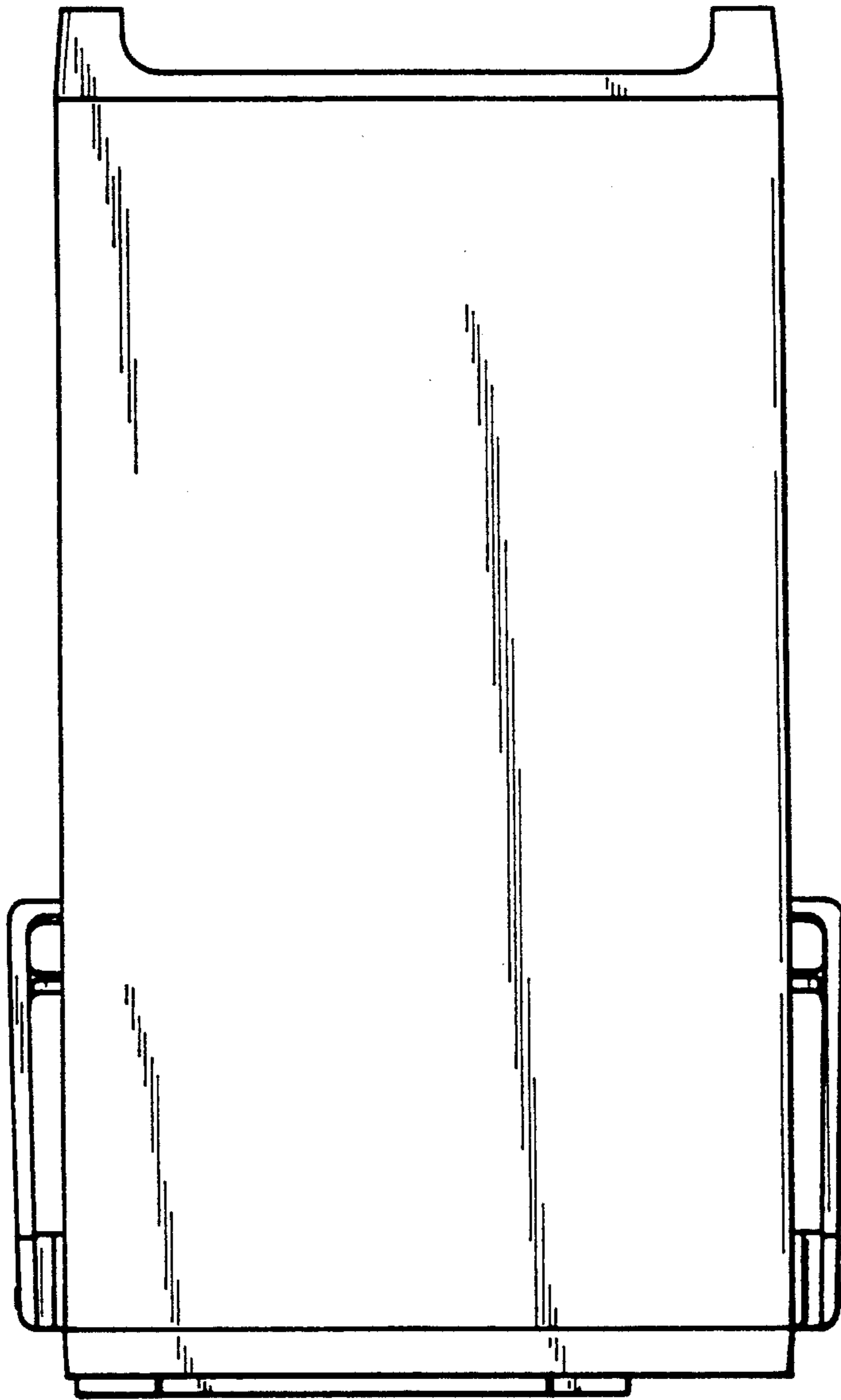


Fig. 3

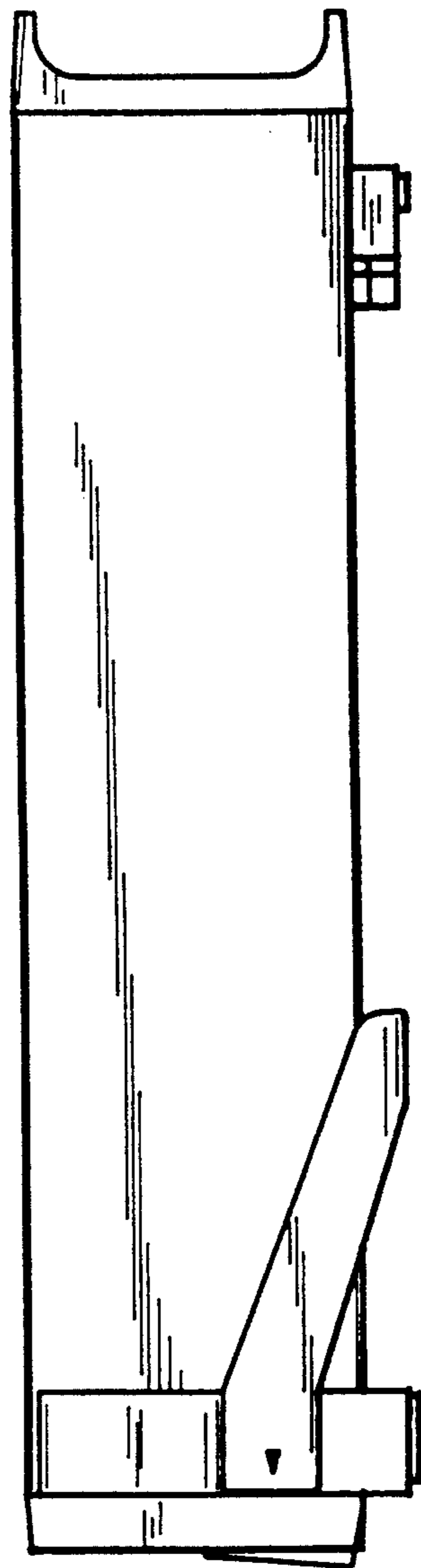


Fig. 4

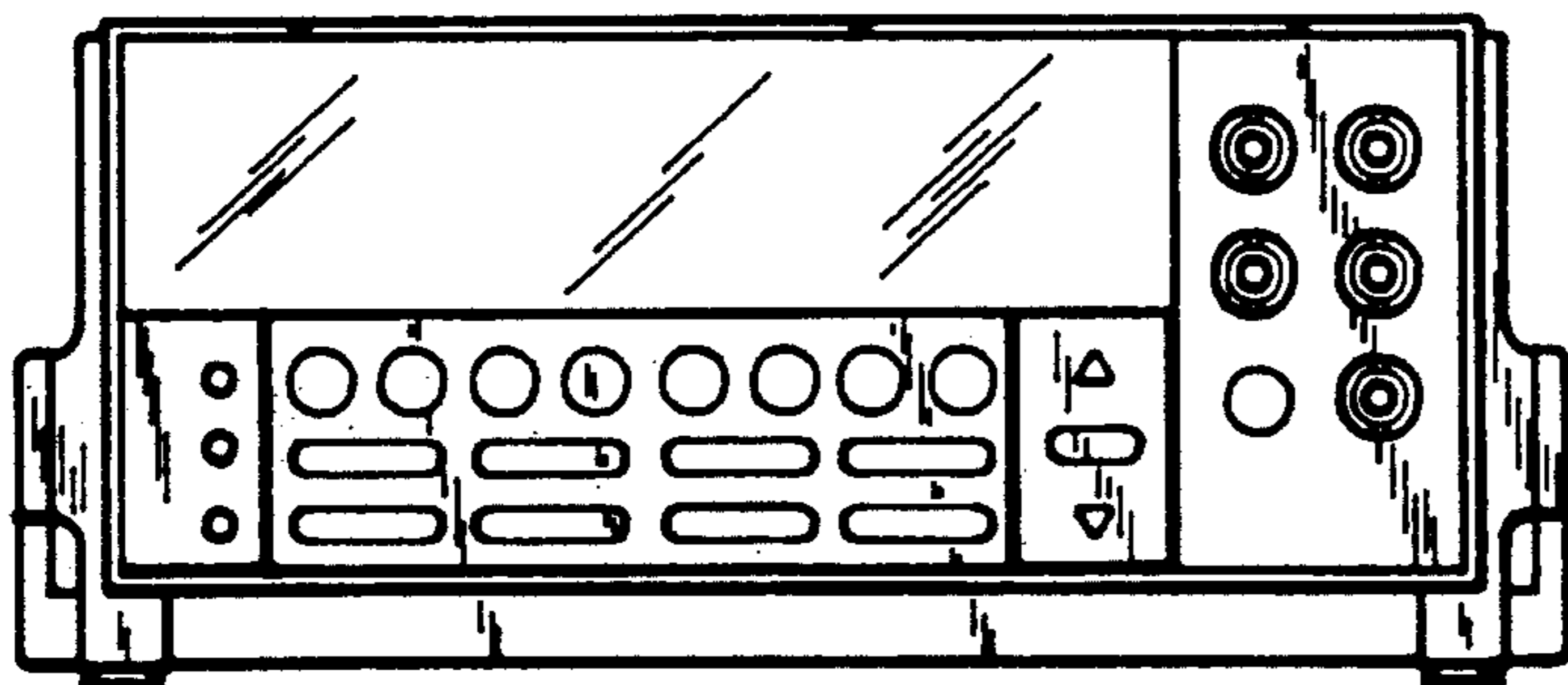


Fig. 2

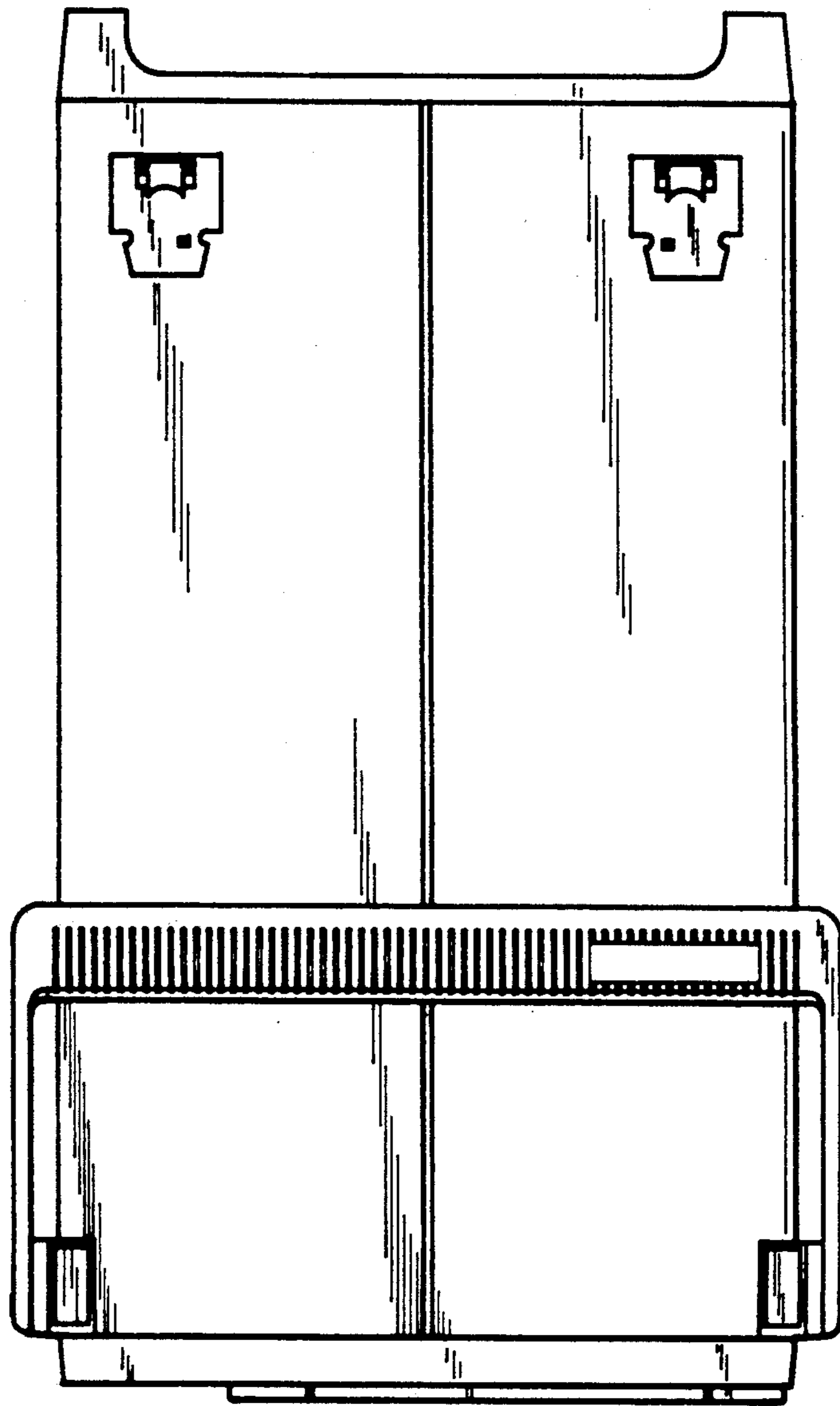


Fig. 6

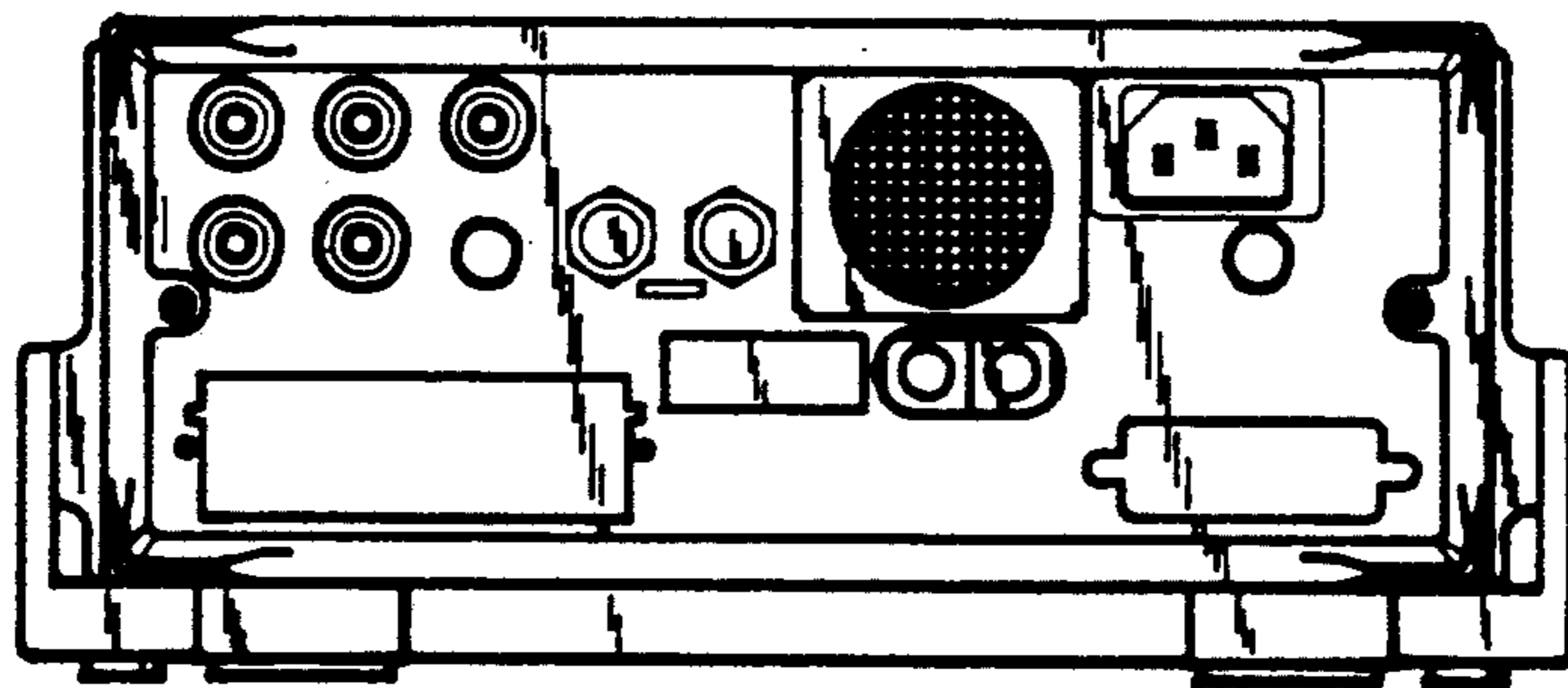


Fig. 5