



US00D343795S

# United States Patent [19]

[11] Patent Number: **Des. 343,795**

Verchere

[45] Date of Patent: **\*\* Feb. 1, 1994**

[54] **COVERED CONTAINER**

2,752,970 7/1956 Tupper ..... D9/425 X  
4,264,629 4/1981 Dogliotti ..... 206/45.34 X  
4,787,527 11/1988 Monetti ..... 229/2.5 R X

[75] Inventor: **Maurice J. Verchere**, Oyonnax, France

*Primary Examiner*—Prabhakar G. Deshmukh  
*Attorney, Agent, or Firm*—Jacobson, Price, Holman & Stern

[73] Assignee: **Injectaplastic**, Martignat, France

[\*\*] Term: **14 Years**

[57] **CLAIM**

[21] Appl. No.: **912,609**

The ornamental design for a covered container, as shown and described.

[22] Filed: **Jul. 13, 1992**

**DESCRIPTION**

[30] **Foreign Application Priority Data**

Jan. 16, 1992 [WO] World Int. Prop. O. .... 021699

[52] U.S. Cl. .... **D9/425; D9/432**

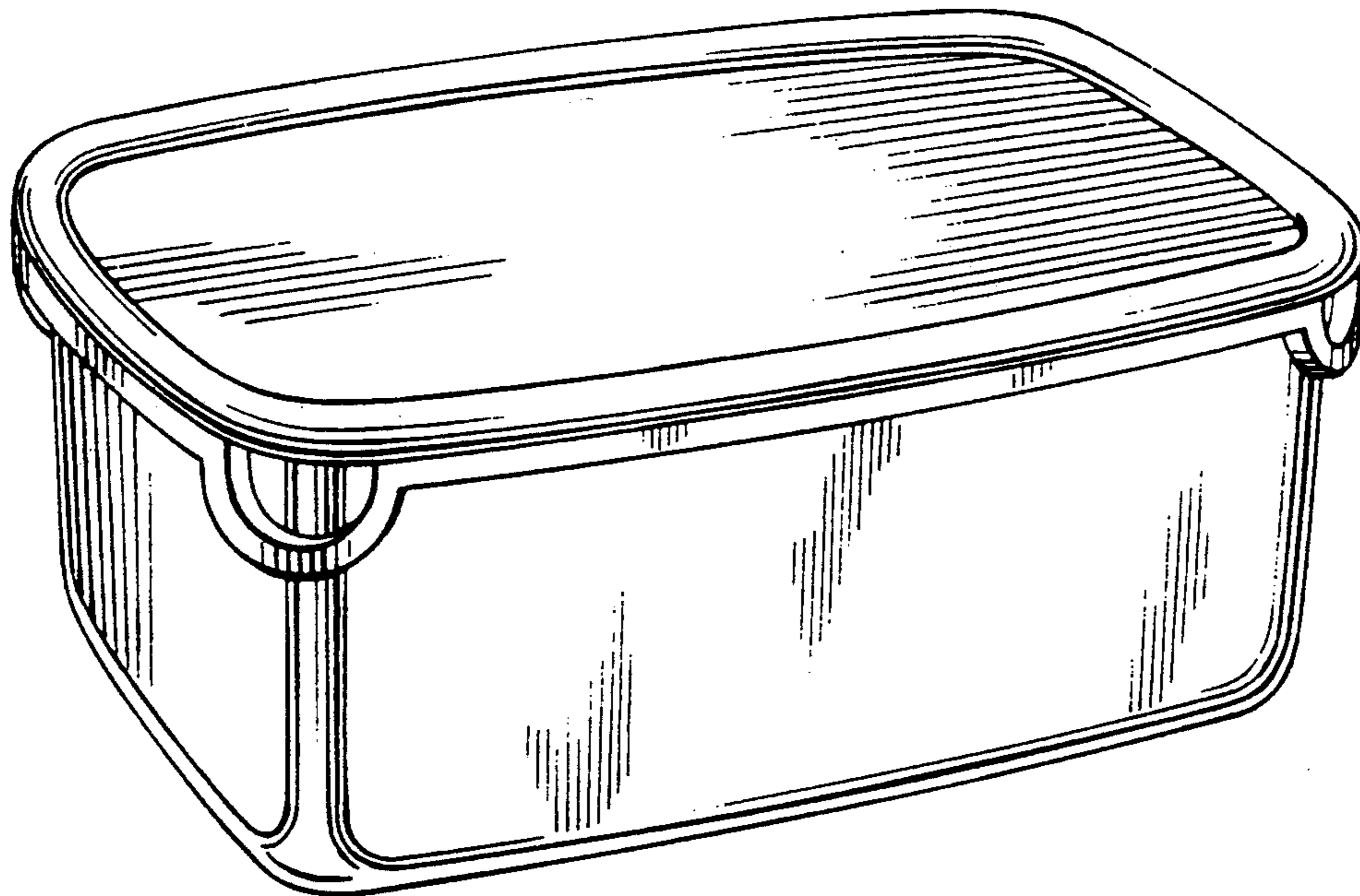
[58] Field of Search ..... D9/425, 424, 423, 432, D9/414, 337; D7/602, 609; 206/216, 276, 541; 220/212, 253, 260, 315, 352, 356, 380, 675; 229/182.1, 2.5 R; D3/30.1; D34/40.46

FIG. 1 is a perspective view of a covered container showing my new design;  
FIG. 2 is a right side elevational view thereof; the left side elevational view being a mirror image thereof;  
FIG. 3 is a front elevational view thereof; the rear side elevational view being a mirror image thereof;  
FIG. 4 is a top plan view thereof;  
FIG. 5 is a bottom plan view thereof;  
FIG. 6 is a perspective view thereof; with the removed for clarity of illustration; and,  
FIG. 7 is a bottom plan view of the lid; shown separately for clarity of illustration.

[56] **References Cited**

**U.S. PATENT DOCUMENTS**

D. 308,486 6/1990 Willson ..... D9/424 X  
D. 330,996 11/1992 Smith et al. .... D9/425 X



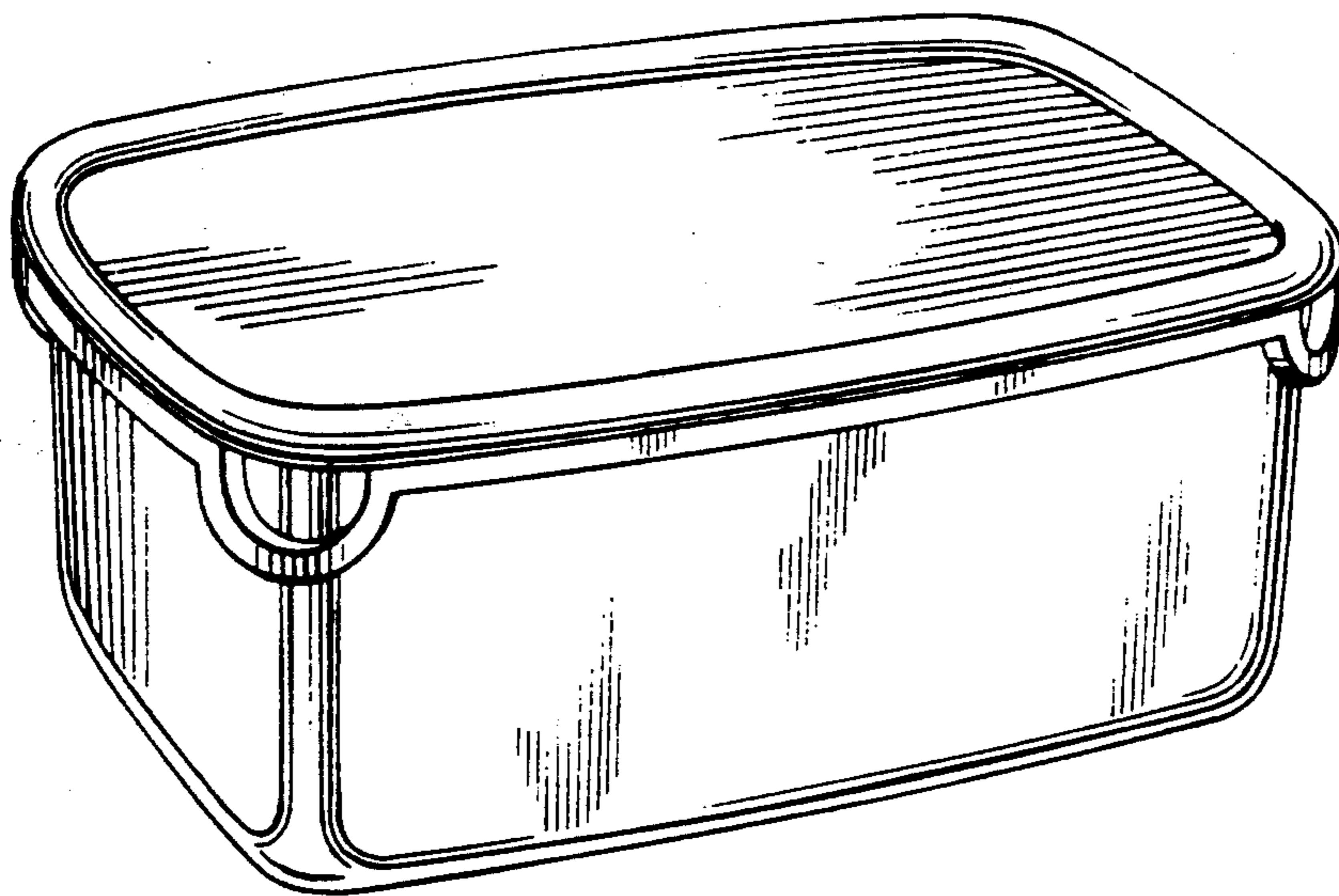


FIG. 1

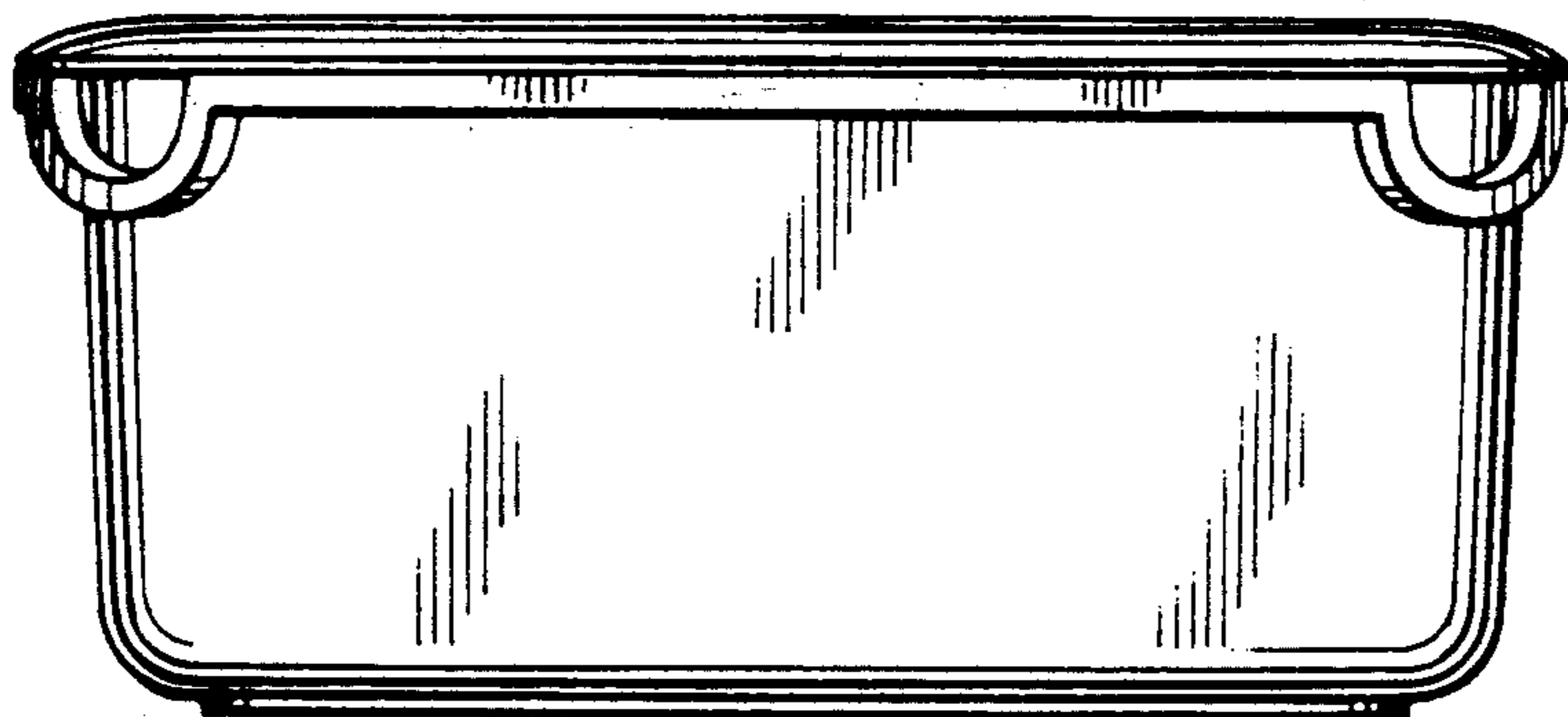


FIG. 2

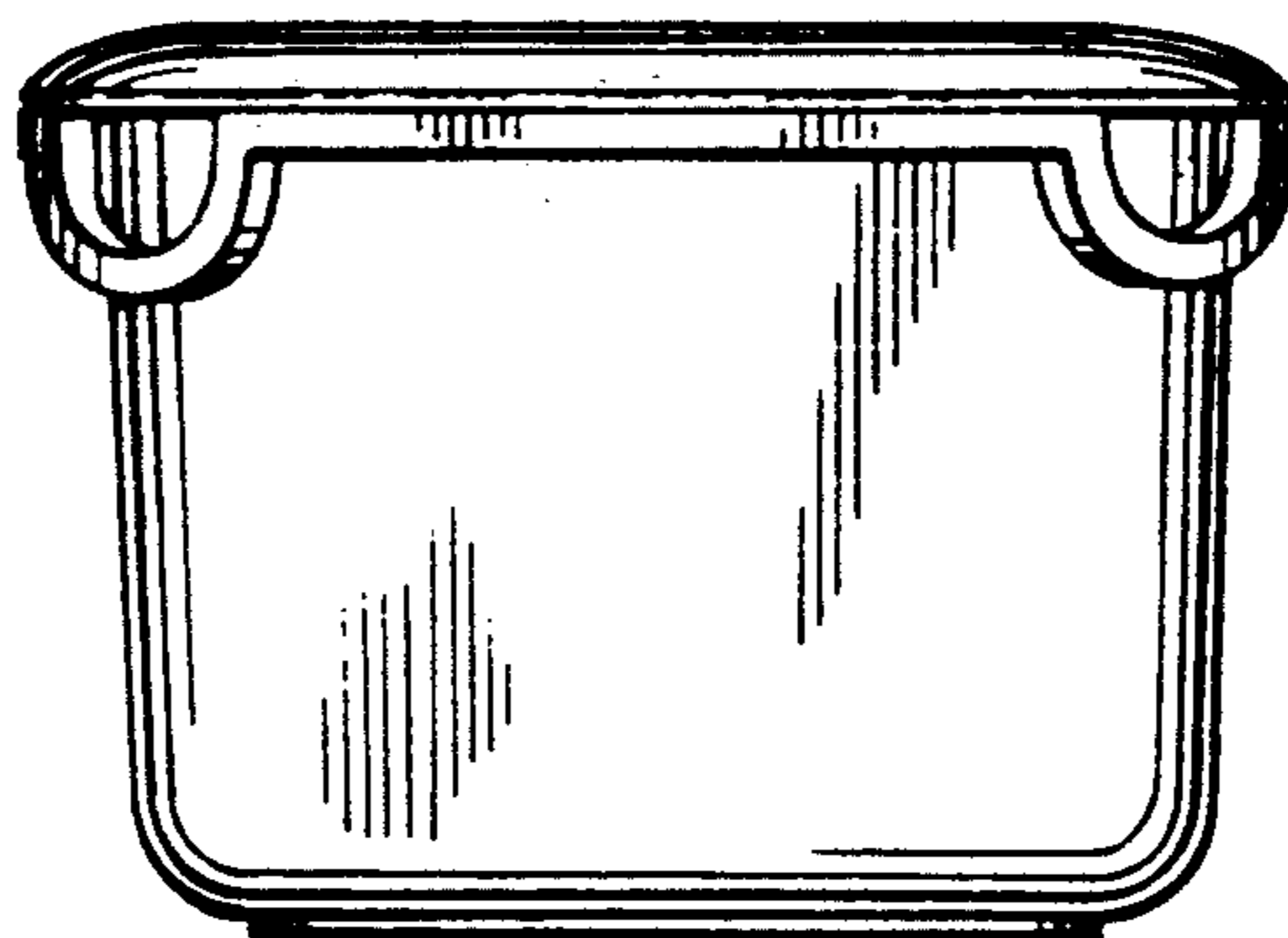


FIG. 3

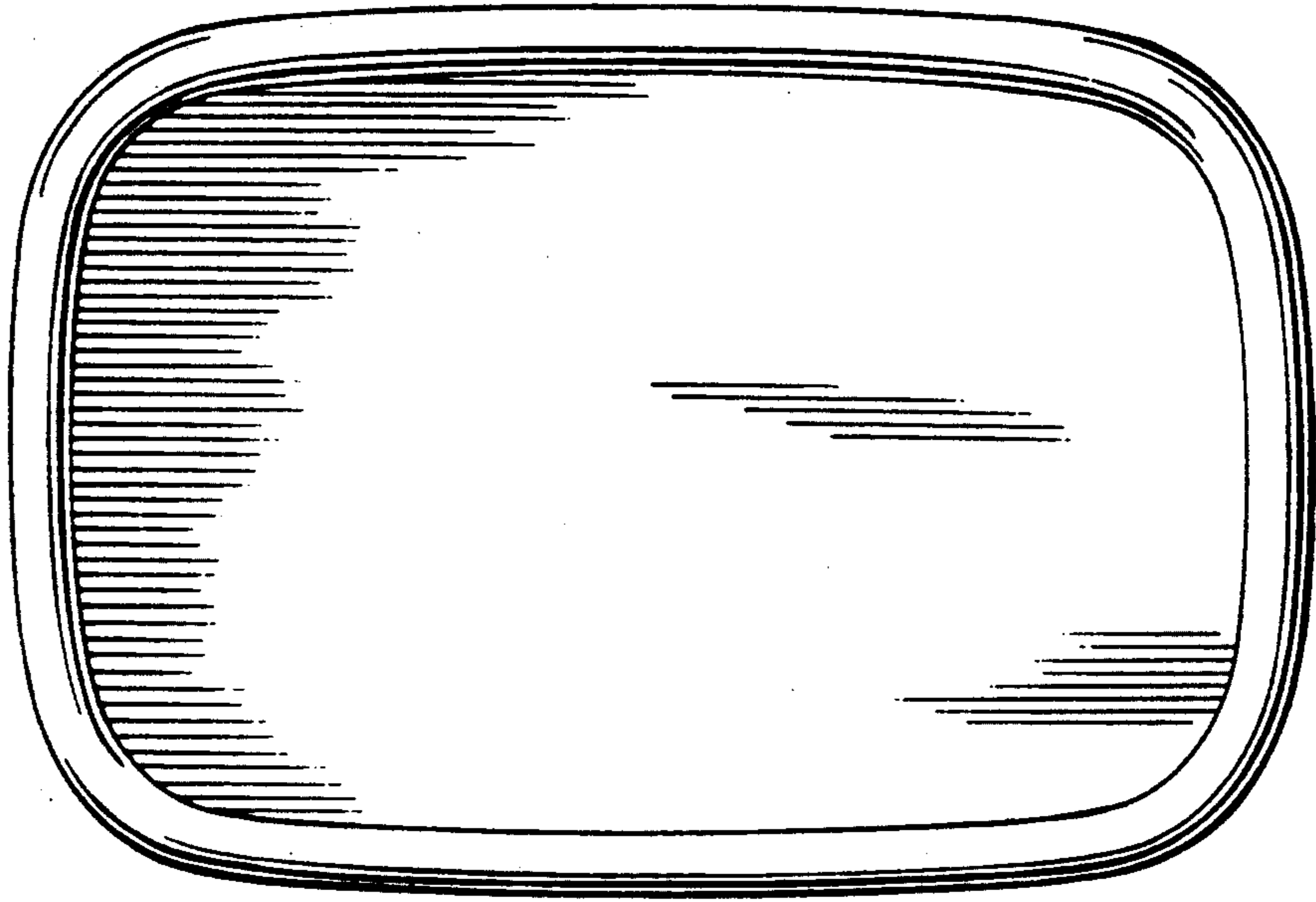


FIG. 4

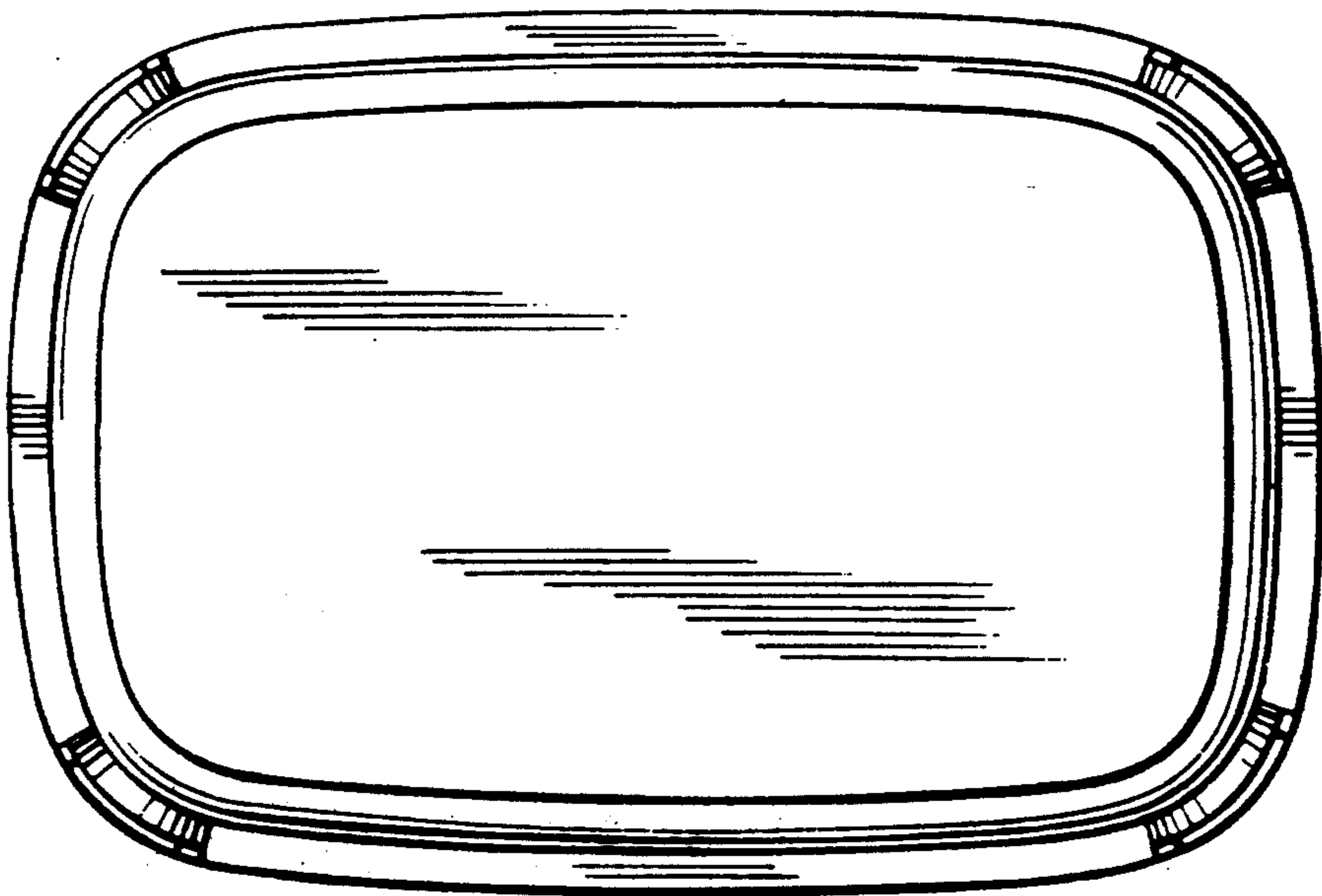


FIG. 5

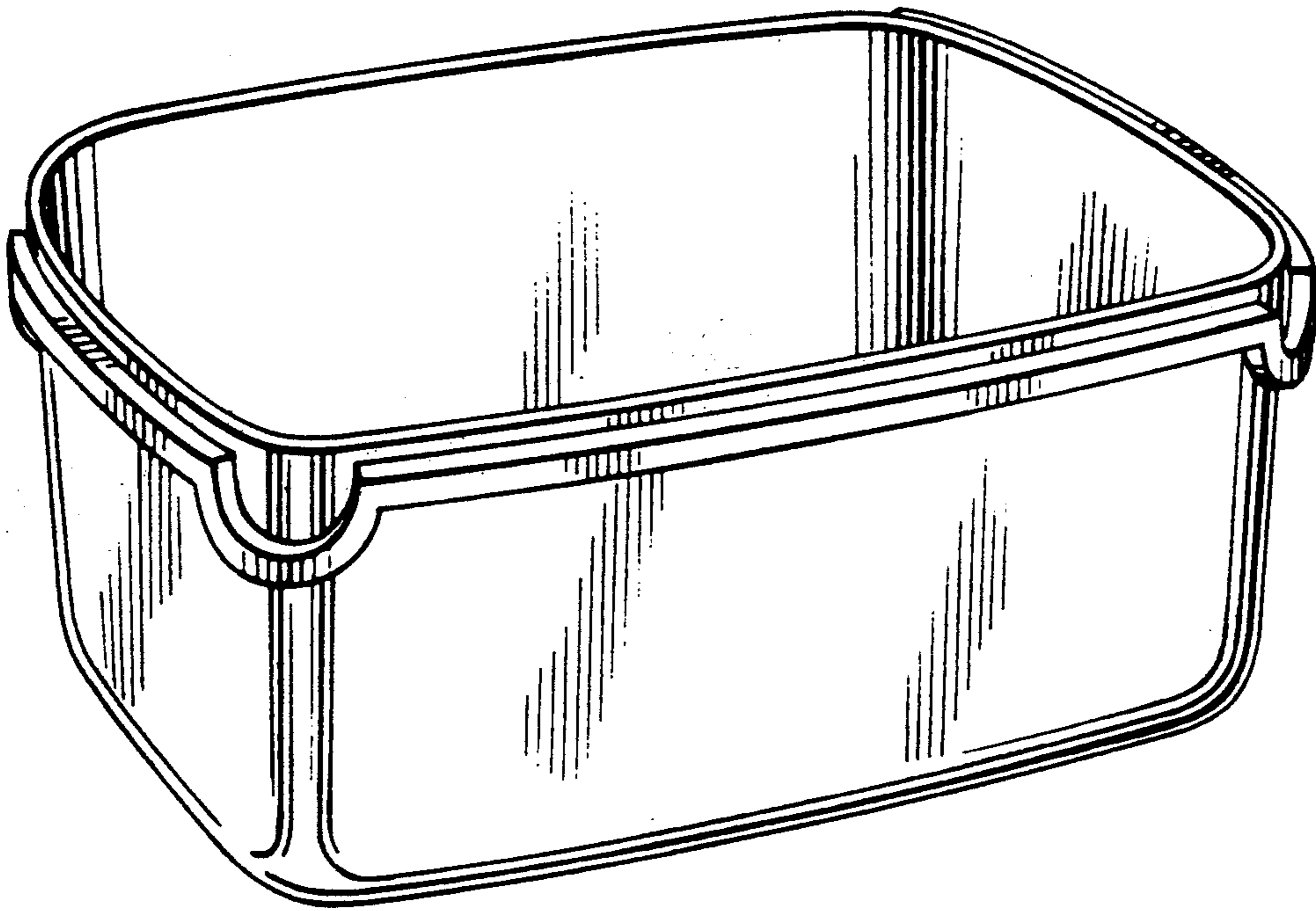


FIG. 6

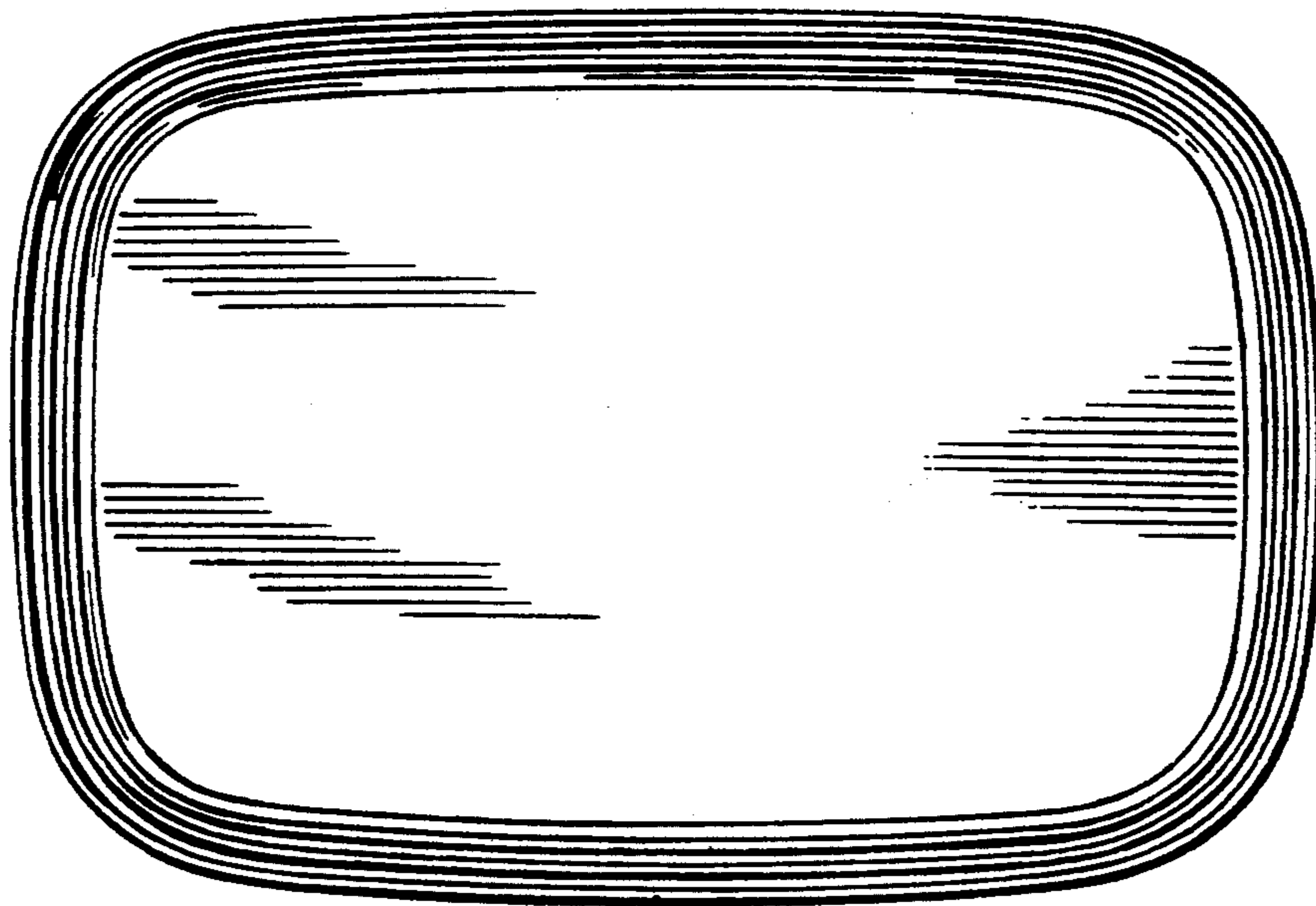


FIG. 7