



US00D343787S

# United States Patent [19]

[11] Patent Number: **Des. 343,787**

Finkeldey et al.

[45] Date of Patent: **\*\* Feb. 1, 1994**

[54] **CASTER WHEEL**

[75] Inventors: **Ulli Finkeldey; Stephan Quenkert,**  
both of Bad Salzuflen, Fed. Rep. of  
Germany

[73] Assignee: **Tente-Rollen GmbH & Co.,**  
Wermelskirchen, Fed. Rep. of  
Germany

[\*\*] Term: **14 Years**

[21] Appl. No.: **802,448**

[22] Filed: **Nov. 29, 1991**

[30] **Foreign Application Priority Data**

May 31, 1991 [DE] Fed. Rep. of Germany ..... 9103961  
Sep. 28, 1991 [DE] Fed. Rep. of Germany ..... 9107017  
[52] U.S. Cl. .... **D8/375**  
[58] Field of Search ..... D8/375; 16/18 R, 18 CG,  
16/45, 47

[56] **References Cited**

**U.S. PATENT DOCUMENTS**

D. 308,934 7/1990 Howell et al. .... D8/375

**OTHER PUBLICATIONS**

Payson Casters, Jul. 5, 1988, p. 41, caster, circled item at  
right of page.

Payson Casters, Jul. 5, 1988, p. 31, caster, circled item in  
middle of page.

Payson Casters, Jul. 5, 1988, p. 6, caster, located at  
bottom right corner of page.

Colson Casters, Feb. 24, 1986, p. 2, caster, located at  
right of page.

International Designs Bulletin, Aug. 1982, p. 1342,  
caster, located in center of page.

*Primary Examiner*—Wallace R. Burke

*Assistant Examiner*—H. Baynham

*Attorney, Agent, or Firm*—Martin A. Farber

[57] **CLAIM**

The ornamental design for a caster wheel, as shown.

**DESCRIPTION**

FIG. 1 is a perspective view of an alternative embodi-  
ment of the caster wheel showing part of the top, rear,  
and right side of the wheel;

FIG. 2 is a right-side elevational view of the caster  
wheel of FIG. 1;

FIG. 3 is a bottom view of the caster wheel of FIG. 1;

FIG. 4 is left-side elevational view of the caster wheel  
of FIG. 1;

FIG. 5 is a top view of the caster wheel of FIG. 1;

FIG. 6 is a rear elevational view of the caster wheel of  
FIG. 1; and,

FIG. 7 is a front elevational view of the caster wheel of  
FIG. 8.

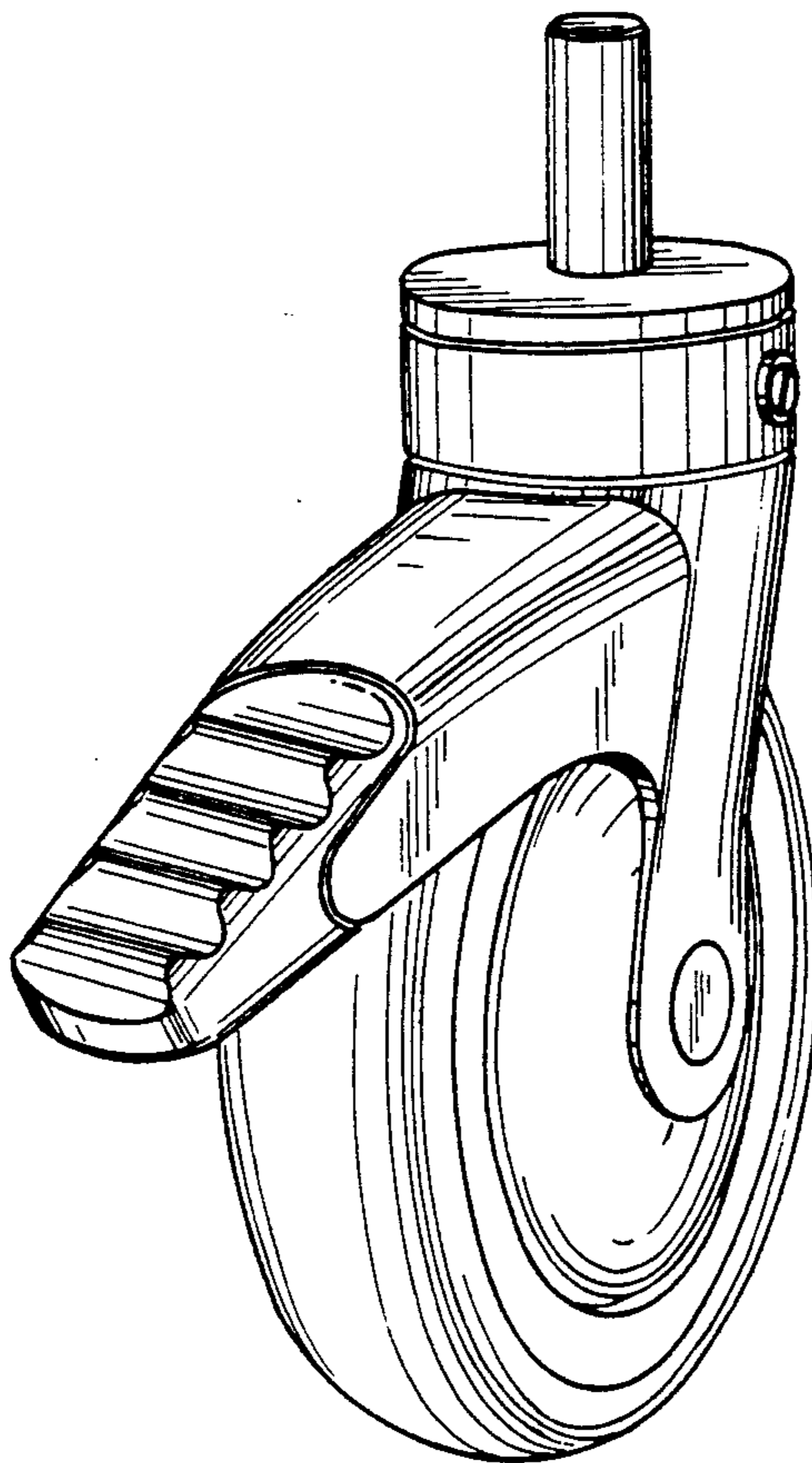


Fig. 1

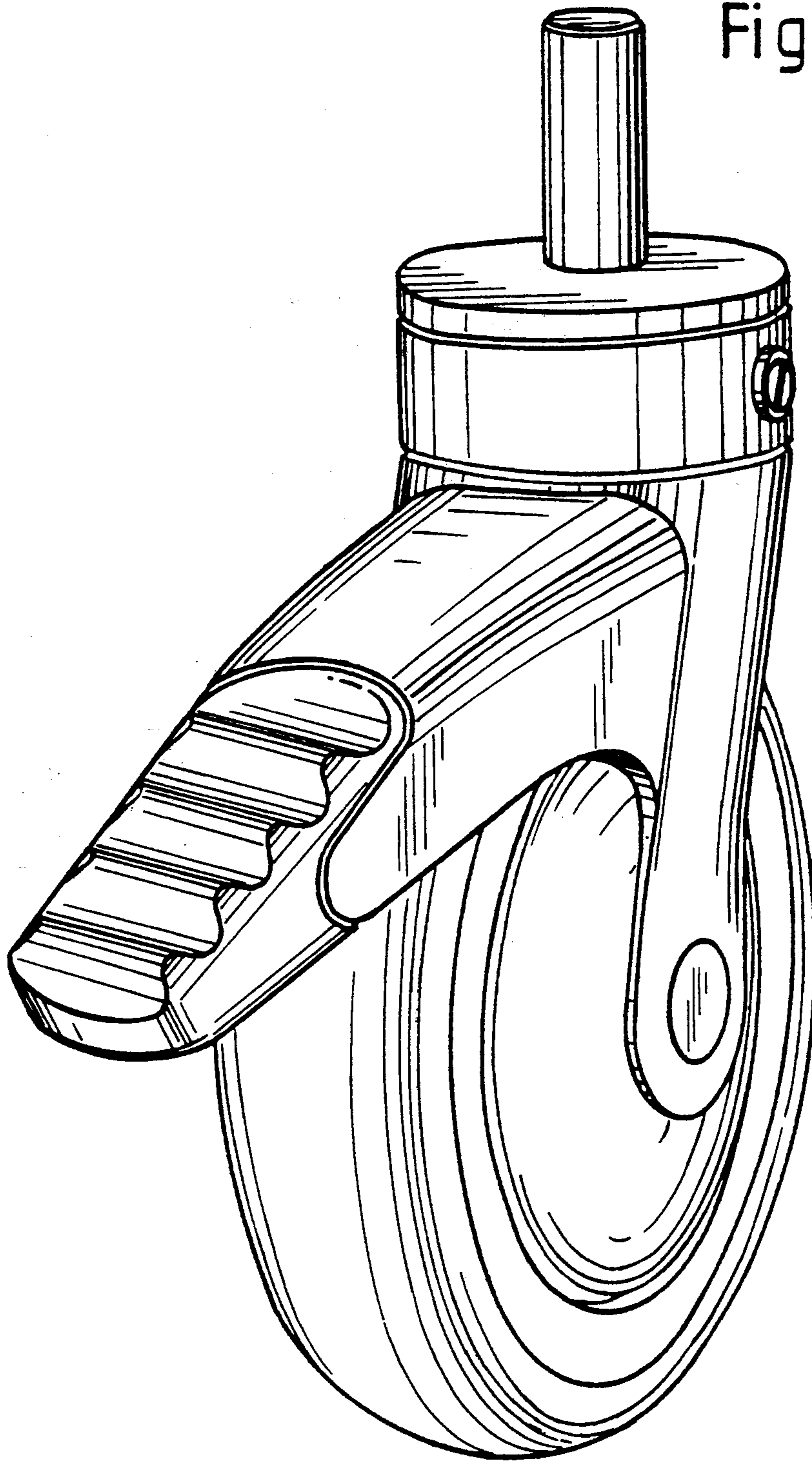


Fig. 3

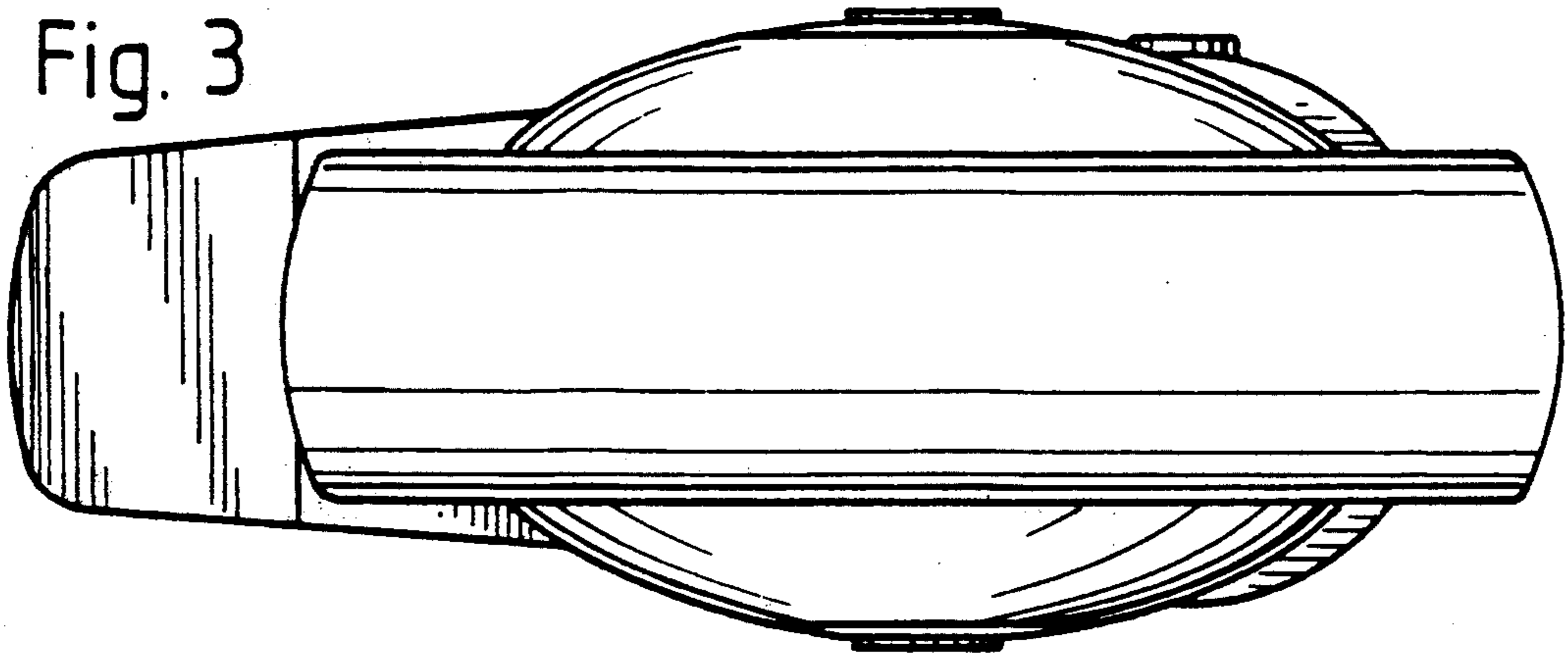


Fig. 2

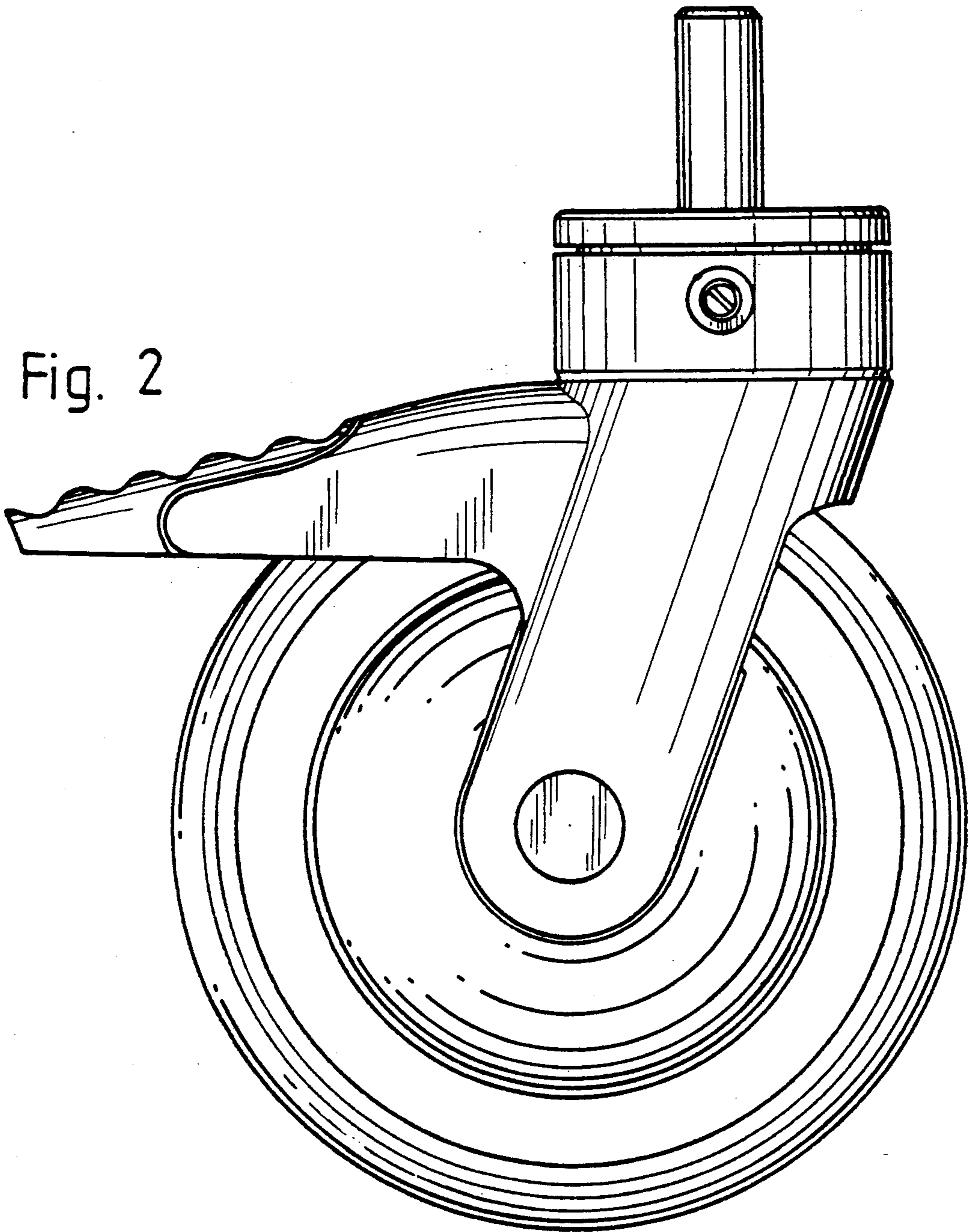


Fig. 4

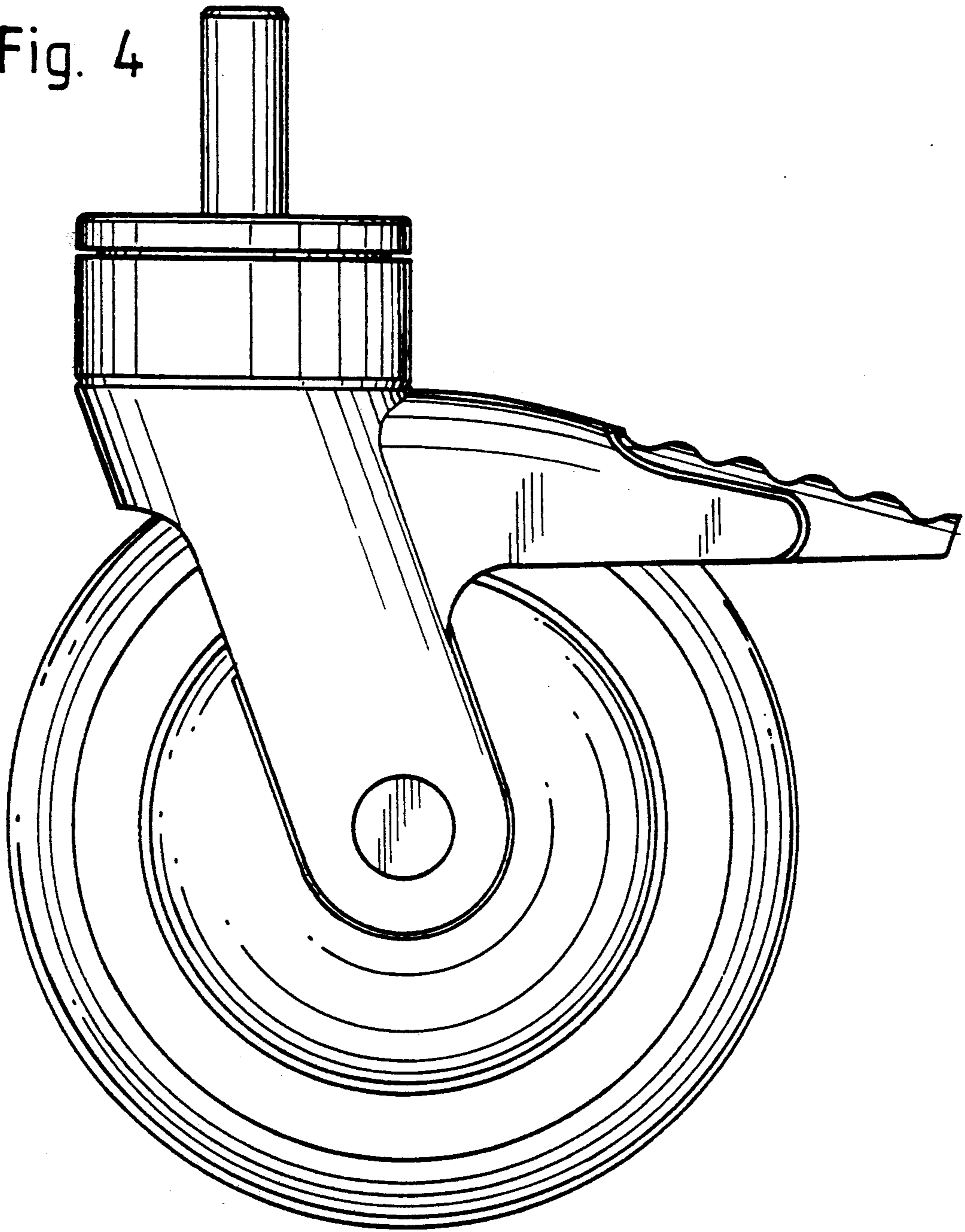


Fig. 5

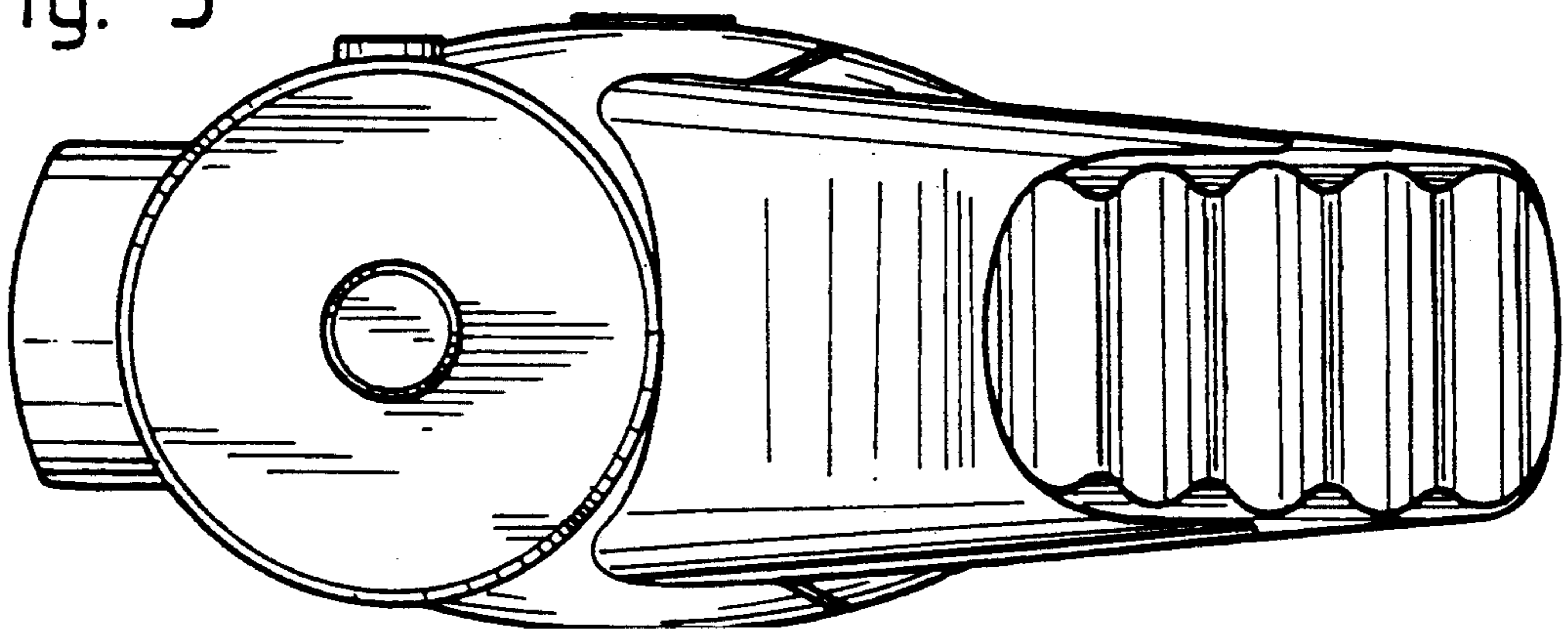


Fig. 6

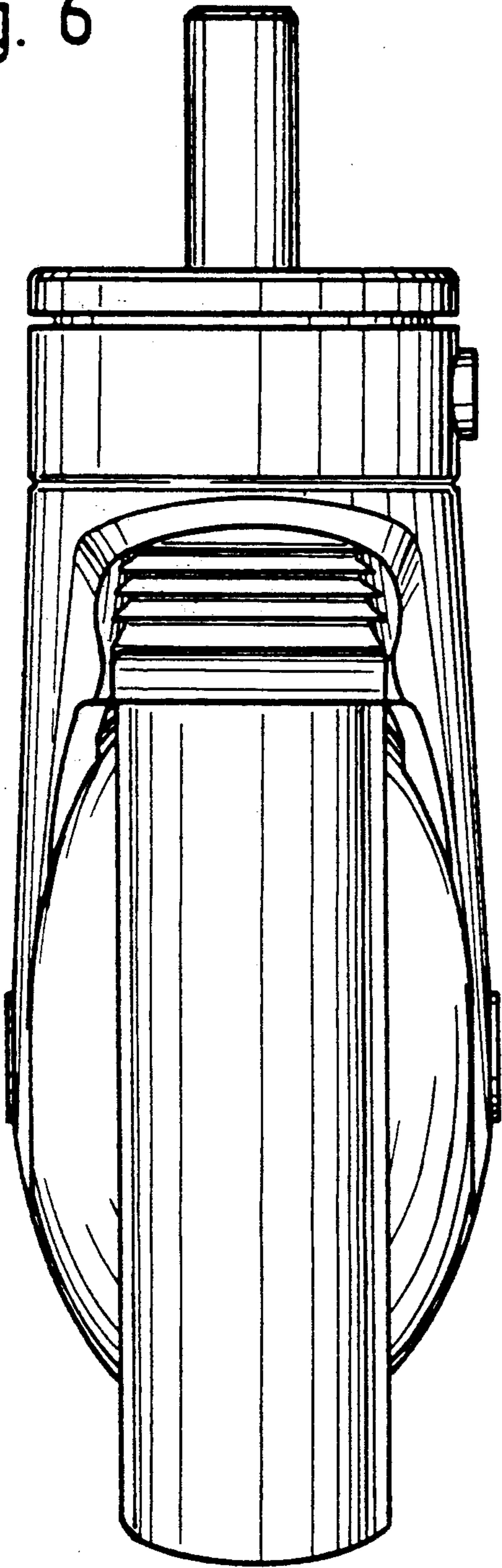


Fig. 7

