



US00D343784S

# United States Patent [19]

[11] Patent Number: **Des. 343,784**

Hagenbuch

[45] Date of Patent: **\*\* Feb. 1, 1994**

## [54] EJECTOR ATTACHMENT MOUNT

[76] Inventor: **LeRoy G. Hagenbuch**, 4602 N. Rosemead Dr., Peoria, Ill. 61614

[\*\*] Term: **14 Years**

[21] Appl. No.: **809,320**

[22] Filed: **Dec. 18, 1991**

[52] U.S. Cl. .... **D8/349**

[58] Field of Search ..... **D8/349, 354, 356, 366; 414/517**

lattices together of Philippi-Hagenbuch, Inc. 1990 and earlier.

*Primary Examiner*—Susan J. Lucas  
*Assistant Examiner*—H. Baynham  
*Attorney, Agent, or Firm*—Leydig, Voit & Mayer

## [57] CLAIM

The ornamental design for a load ejector attachment mount, as shown and described.

## [56] References Cited

### U.S. PATENT DOCUMENTS

D. 183,539	9/1958	Mundy	.....	D8/373 X
D. 245,312	8/1977	Rasmussen et al.	.....	D8/356
D. 284,351	6/1986	Wiers	.....	D8/499
D. 310,164	8/1990	Keel	.....	D8/380
D. 319,523	8/1991	Hall	.....	D8/349

### OTHER PUBLICATIONS

Drawing of an apparatus for connecting load ejector

## DESCRIPTION

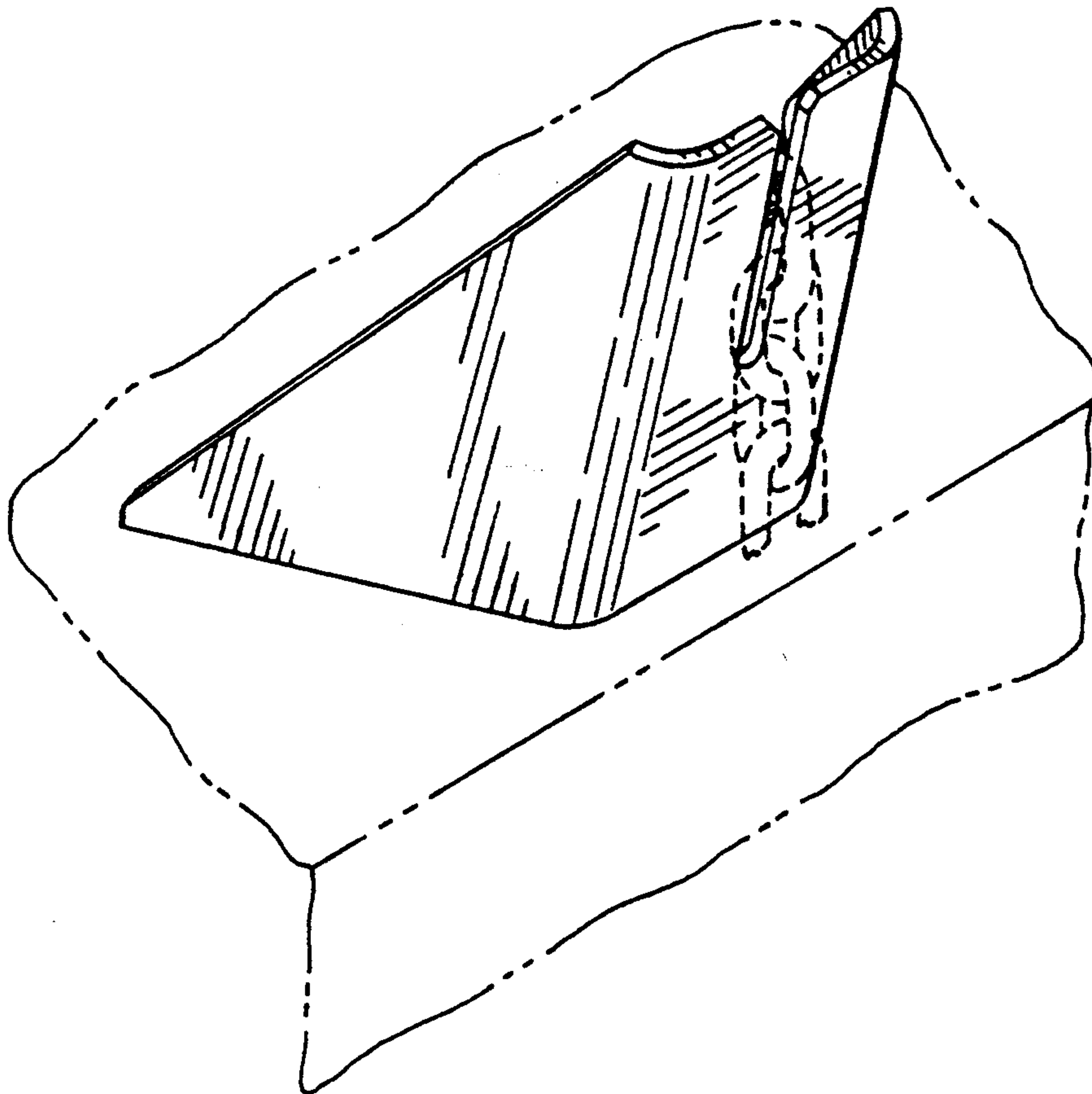
FIG. 1 is a perspective view of the load ejector attachment mount shown in its intended environment by phantom lines illustrating a chain attached to the load ejector;

FIG. 2 is a front view of FIG. 1;

FIG. 3 is a back view of FIG. 1;

FIG. 4 is a top view of FIG. 1; and,

FIG. 5 is aside view of FIG. 1.



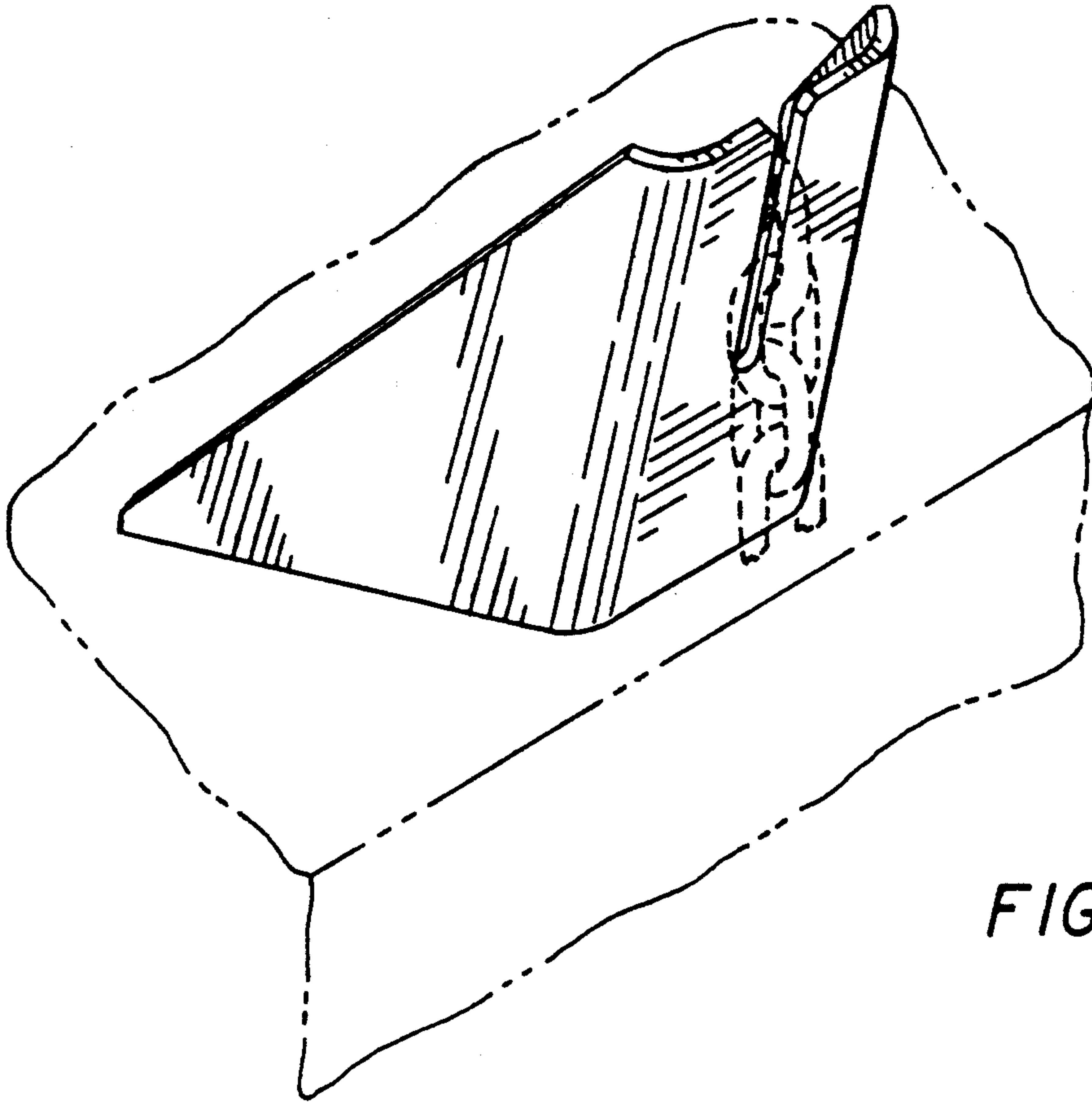


FIG. 1

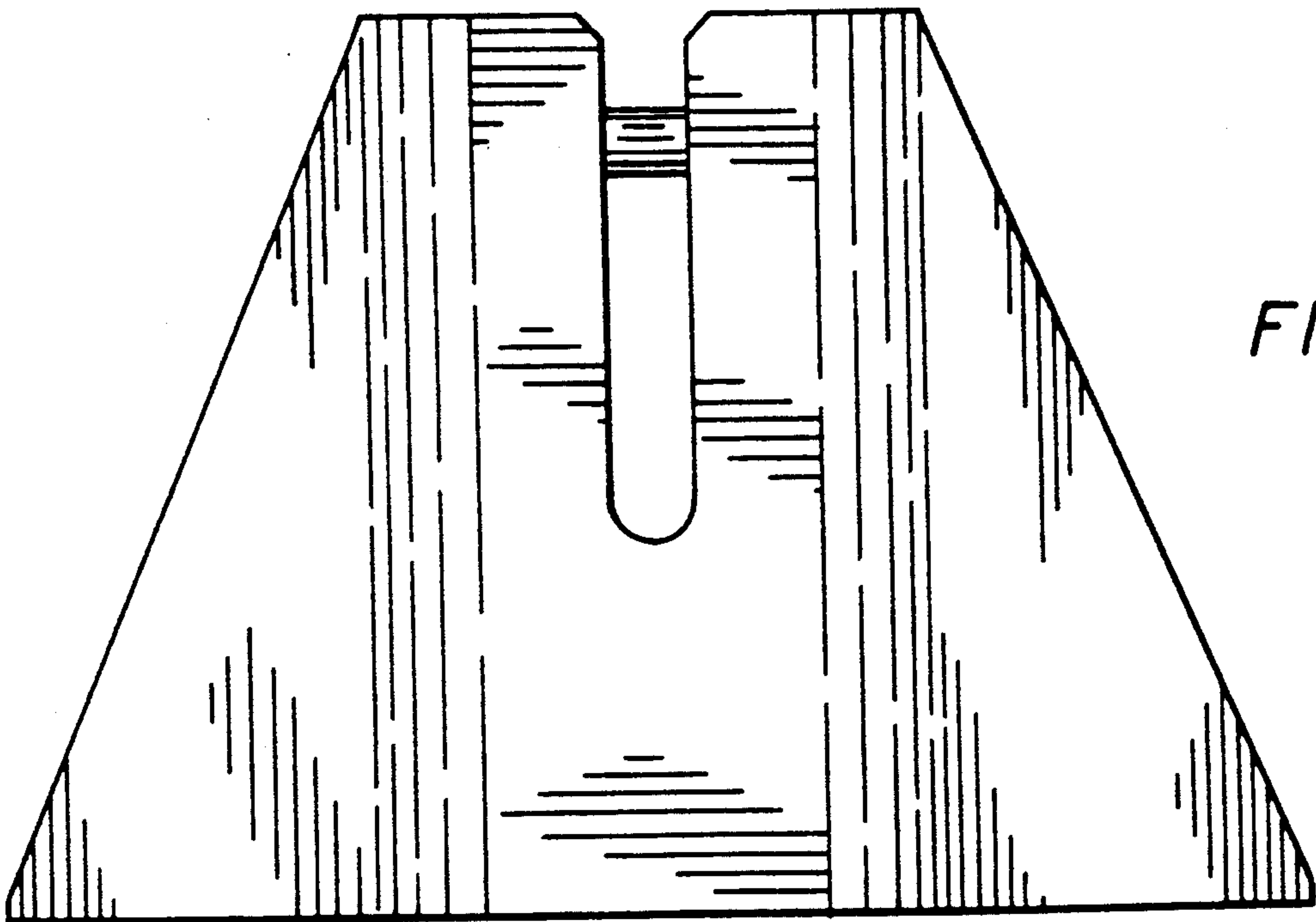


FIG. 2

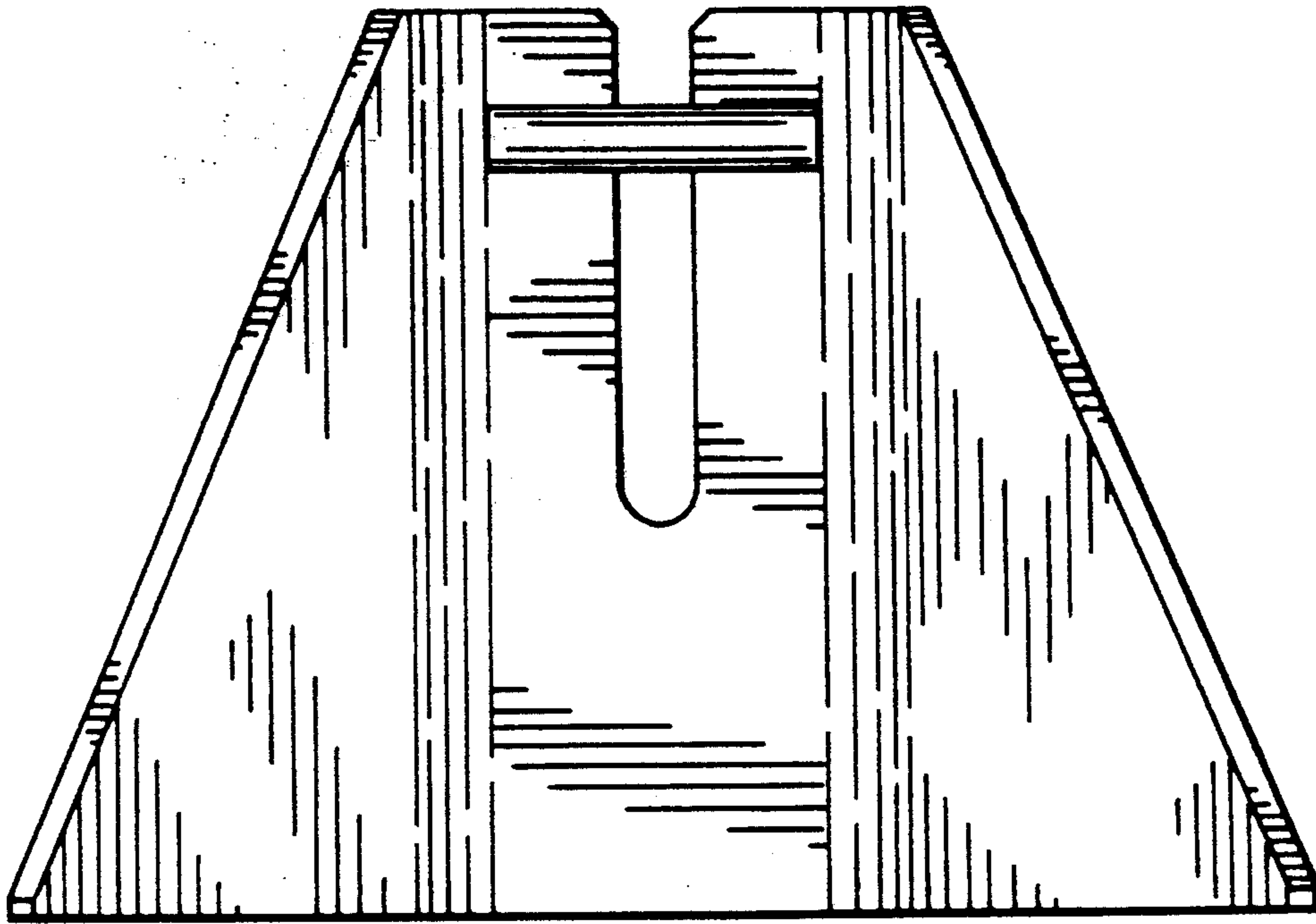


FIG. 3

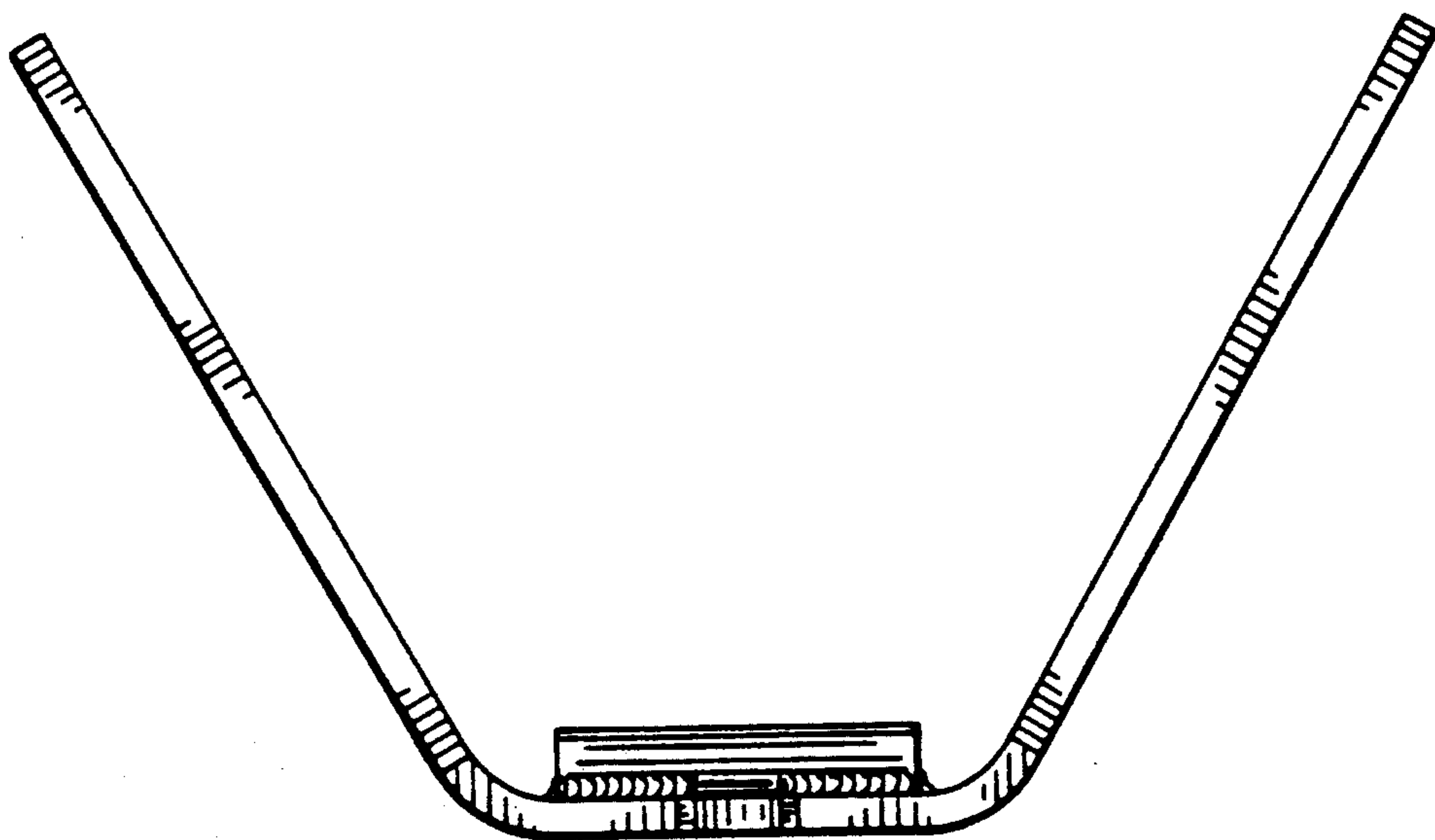


FIG. 4

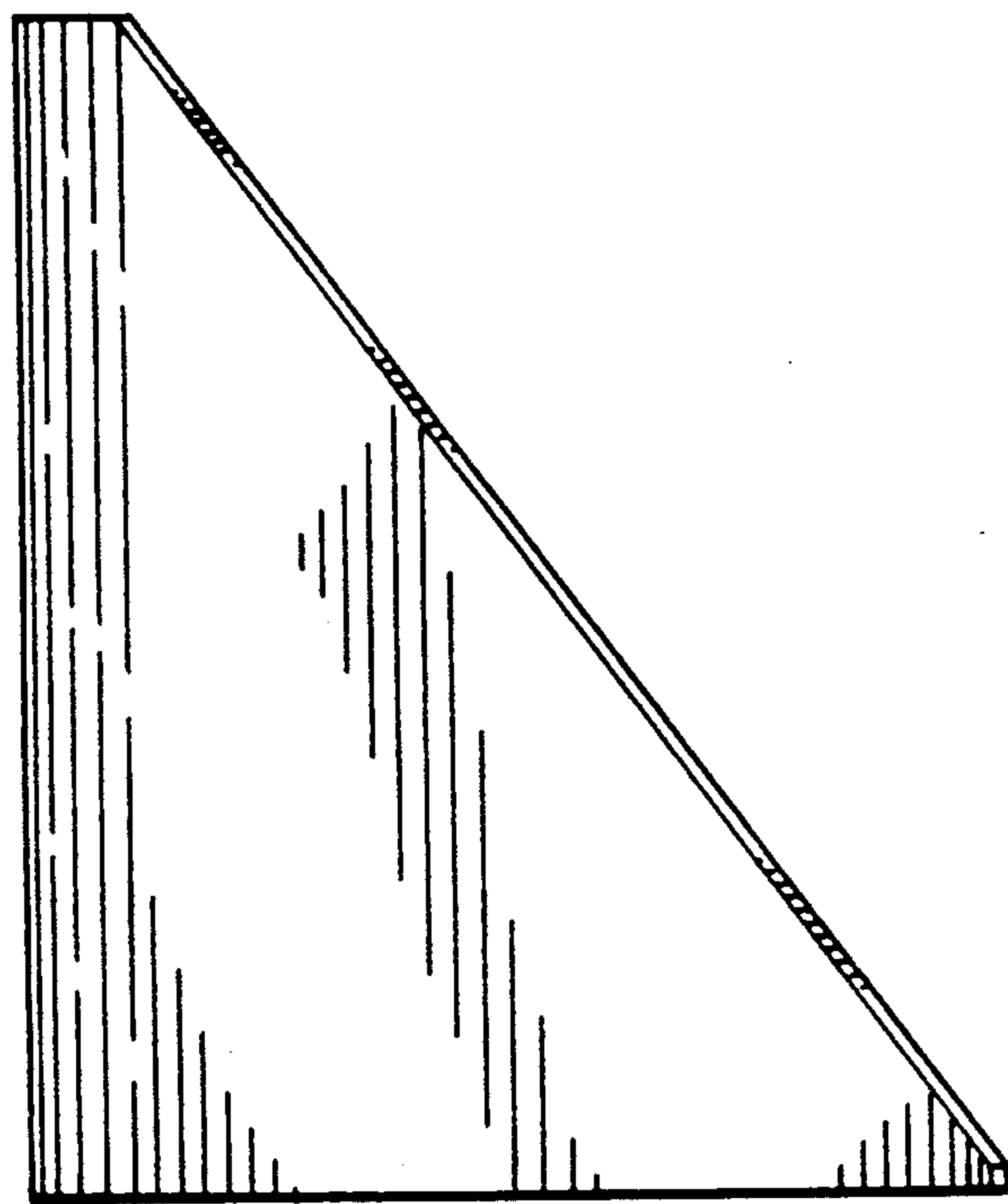


FIG. 5