



US00D343783S

United States Patent [19]

Zaugg et al.

[11] Patent Number: Des. 343,783

[45] Date of Patent: ** Feb. 1, 1994

[54] KEY

[75] Inventors: Hans Zaugg, Derendingen; Heinrich Gretler, Hinwil, both of Switzerland

[73] Assignee: Bauer Kaba AG, Wetzikon, Switzerland

[**] Term: 14 Years

[21] Appl. No.: 925,531

[22] Filed: Aug. 5, 1992

[30] Foreign Application Priority Data

Feb. 6, 1992 [CH] Switzerland DM/021921

[52] U.S. Cl. D8/347

[58] Field of Search D8/347-348;
70/393-395, 402, 405, 406, 408

[56] References Cited

U.S. PATENT DOCUMENTS

D.278,880 5/1985 Widen D8/347
D. 294,005 2/1988 Kornmayer et al. D8/347
D. 334,528 4/1993 Franklin D8/347

3,526,112 9/1970 Herrington 70/395 X

Primary Examiner—Brian N. Vinson
Attorney, Agent, or Firm—Tarolli, Sundheim & Covell

[57] CLAIM

The ornamental design for a key, as shown and described.

DESCRIPTION

FIG. 1 is a bottom, front, and right side perspective view of a key showing our new design;

FIG. 2 is a bottom rear, and right side perspective view thereof;

FIG. 3 is a reduced front elevational view thereof;

FIG. 4 is a reduced rear elevational view thereof;

FIG. 5 is a reduced right side elevational view thereof;

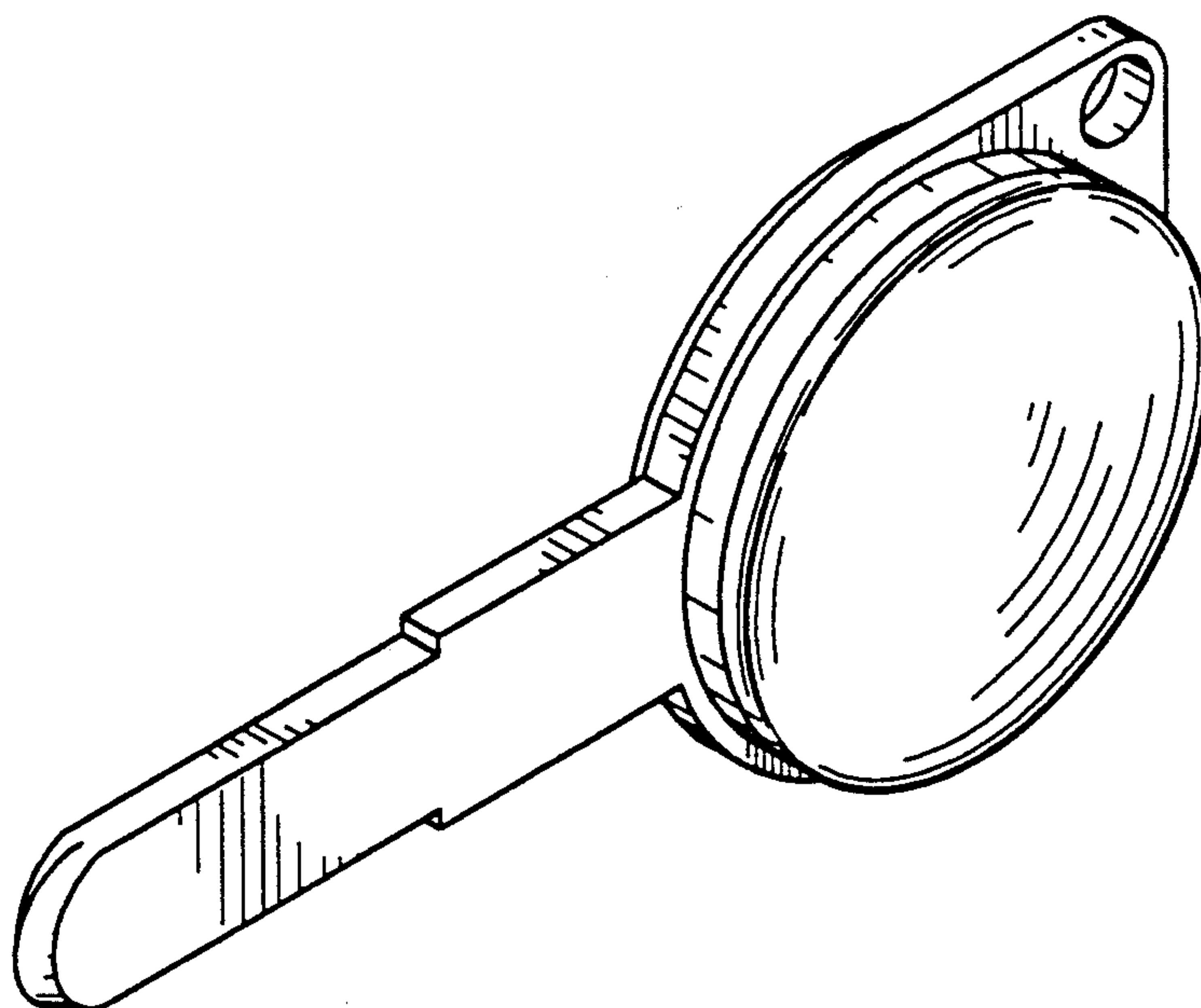
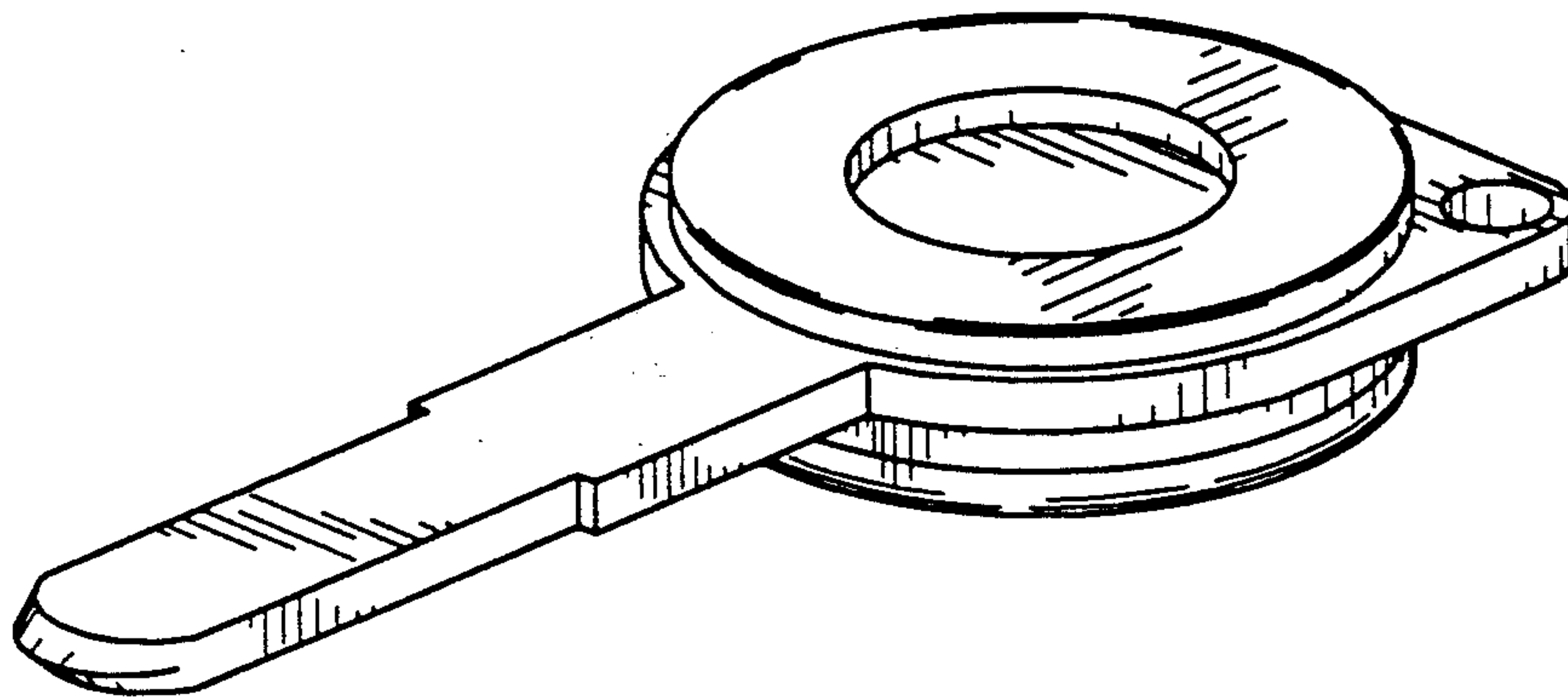
FIG. 6 is a reduced, exploded left side elevational view thereof;

FIG. 7 is a reduced top plan view thereof;

FIG. 8 is a reduced front elevational view of a second embodiment showing our new design;

FIG. 9 is a reduced rear elevational view thereof; and,

FIG. 10 is a reduced right side elevational view thereof.



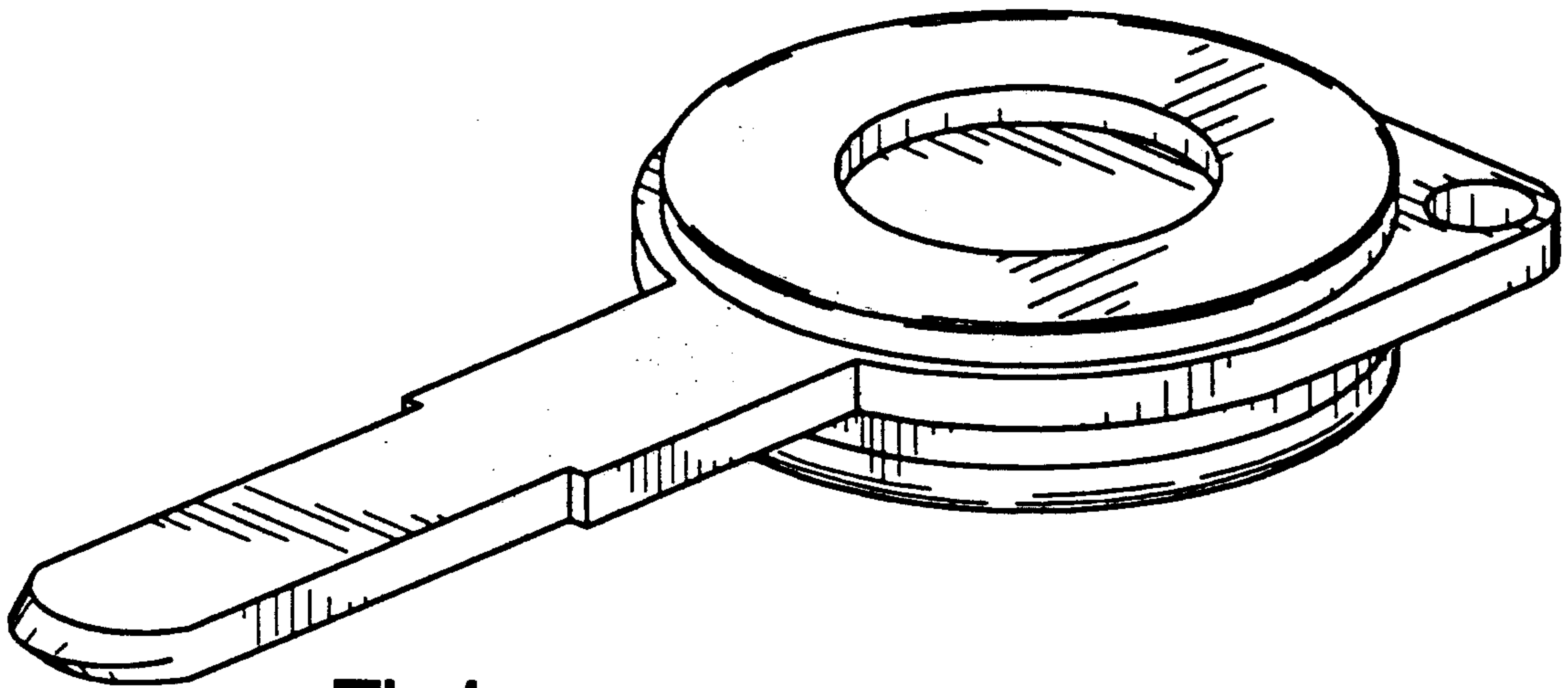


Fig.1

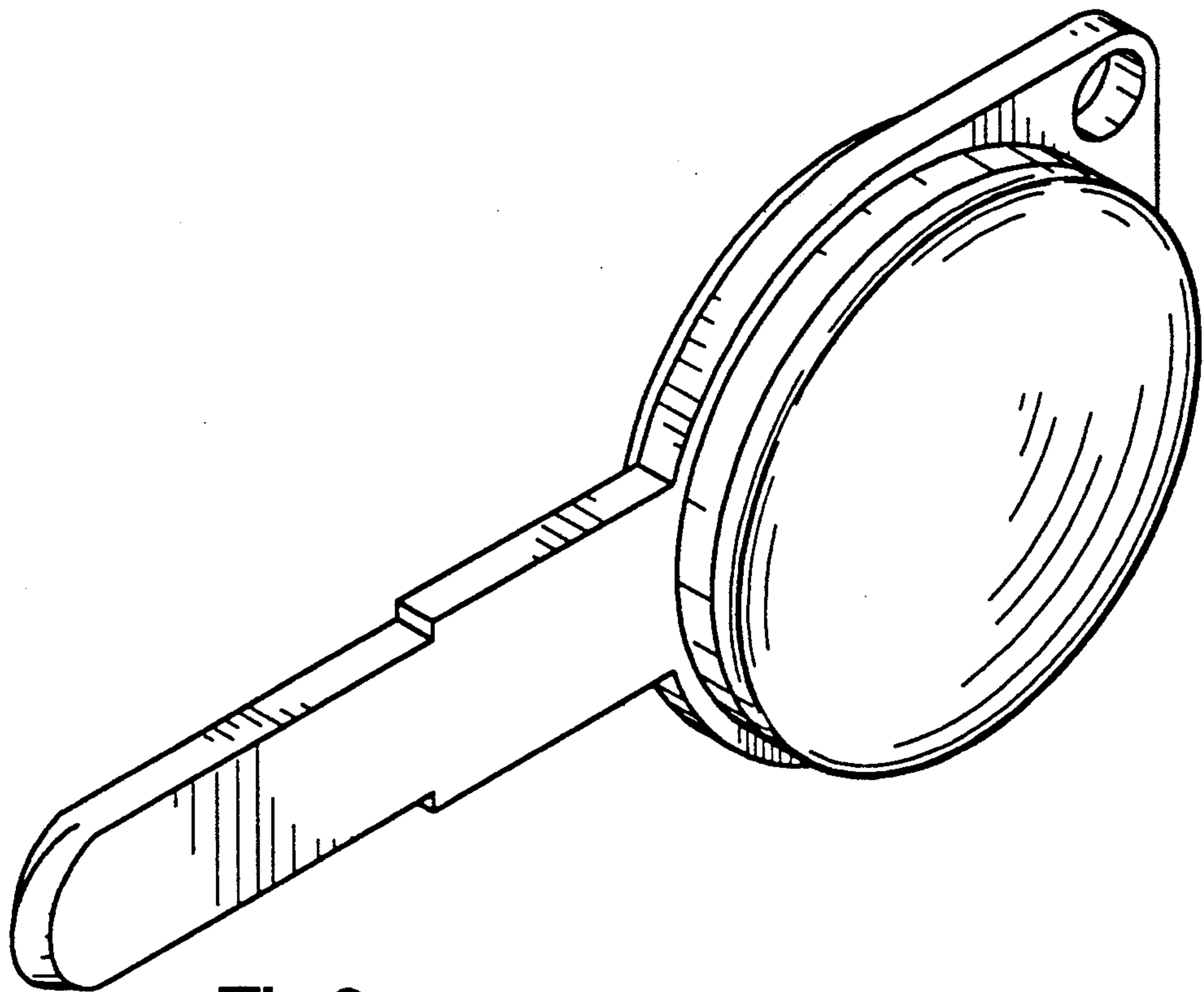
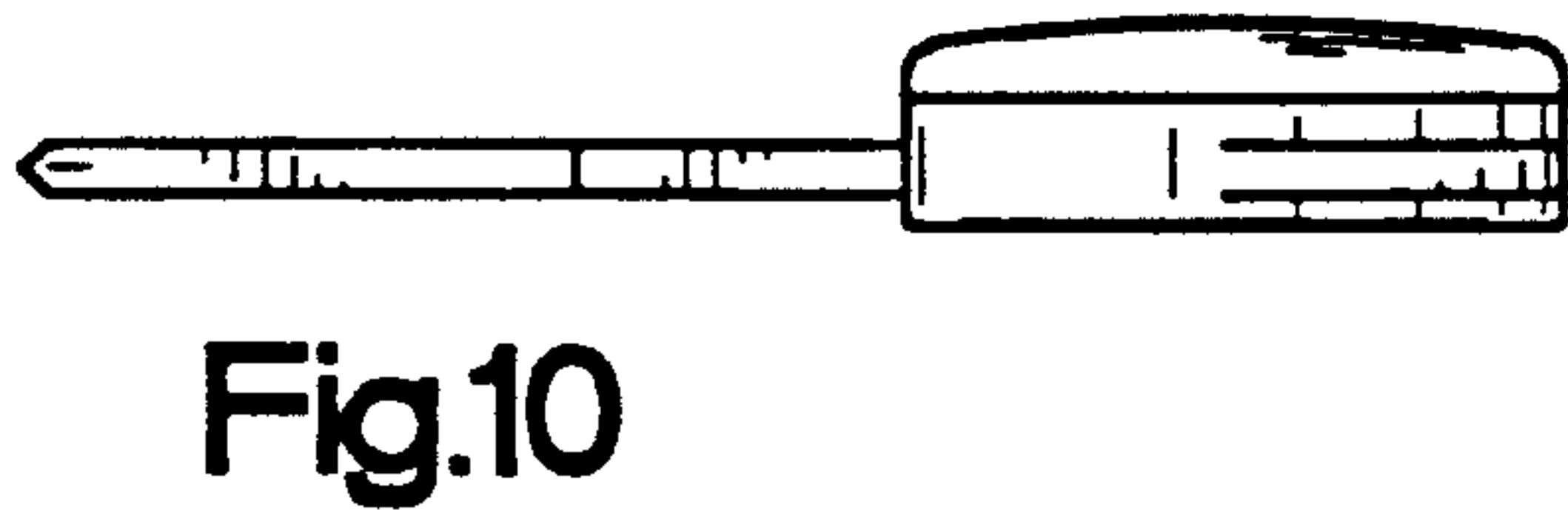
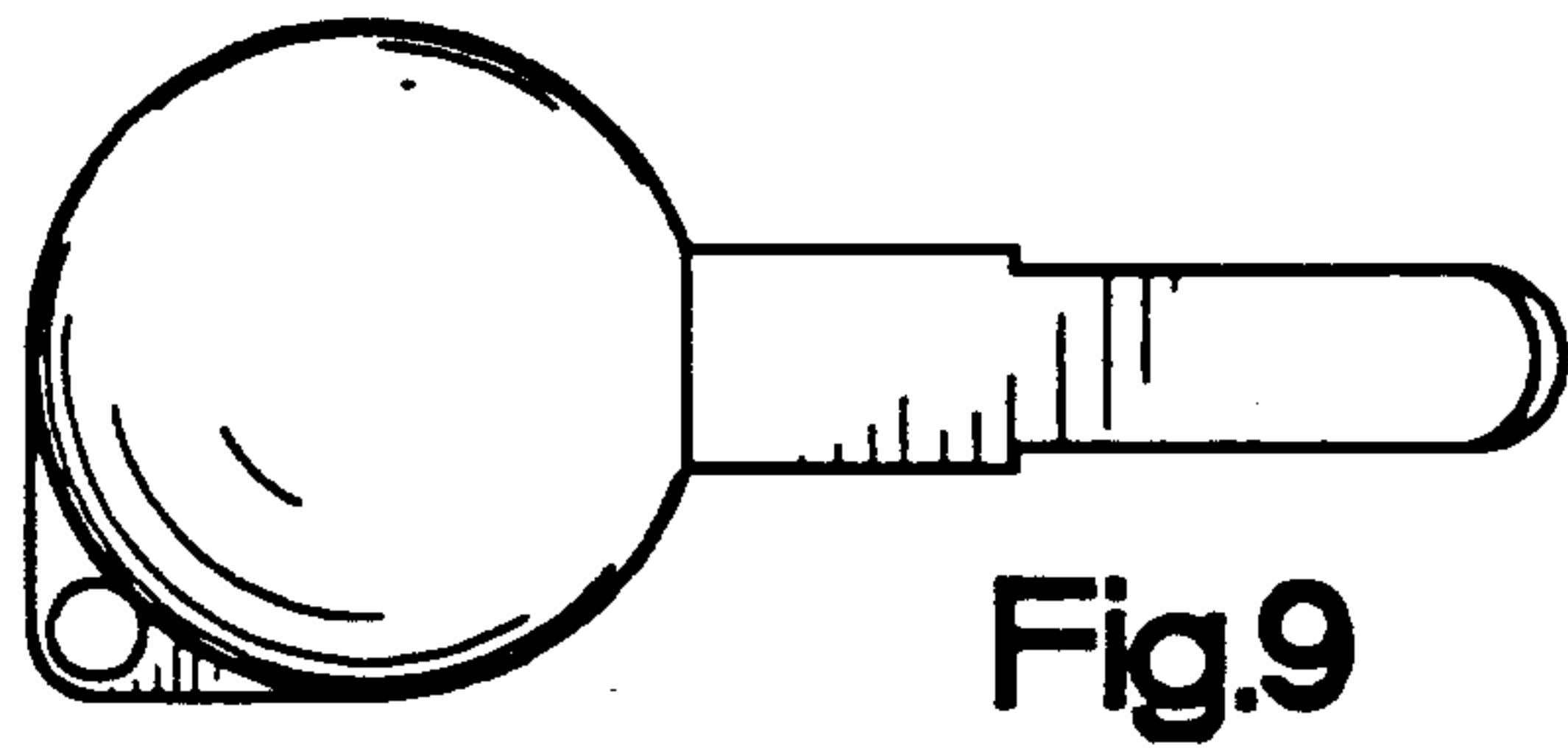
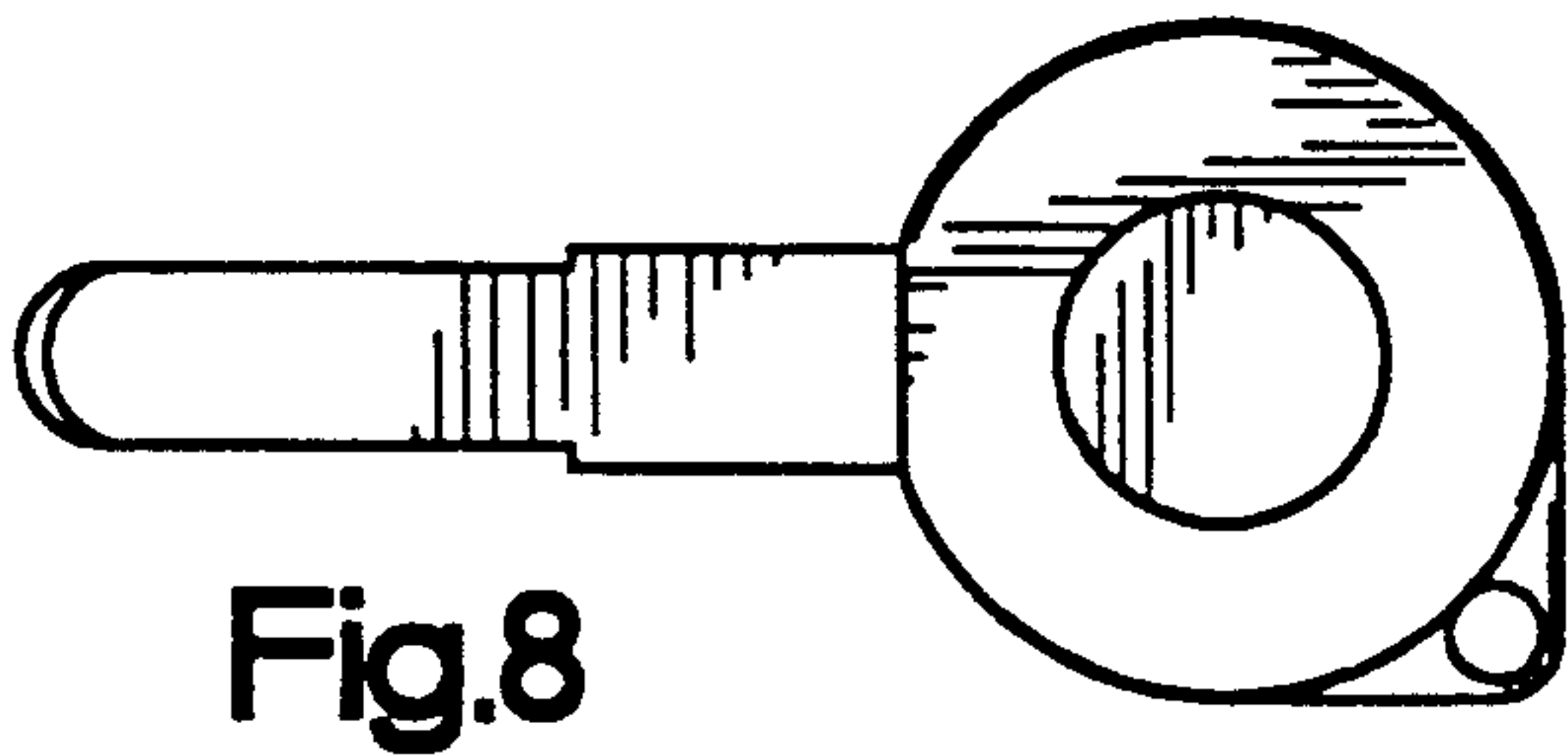
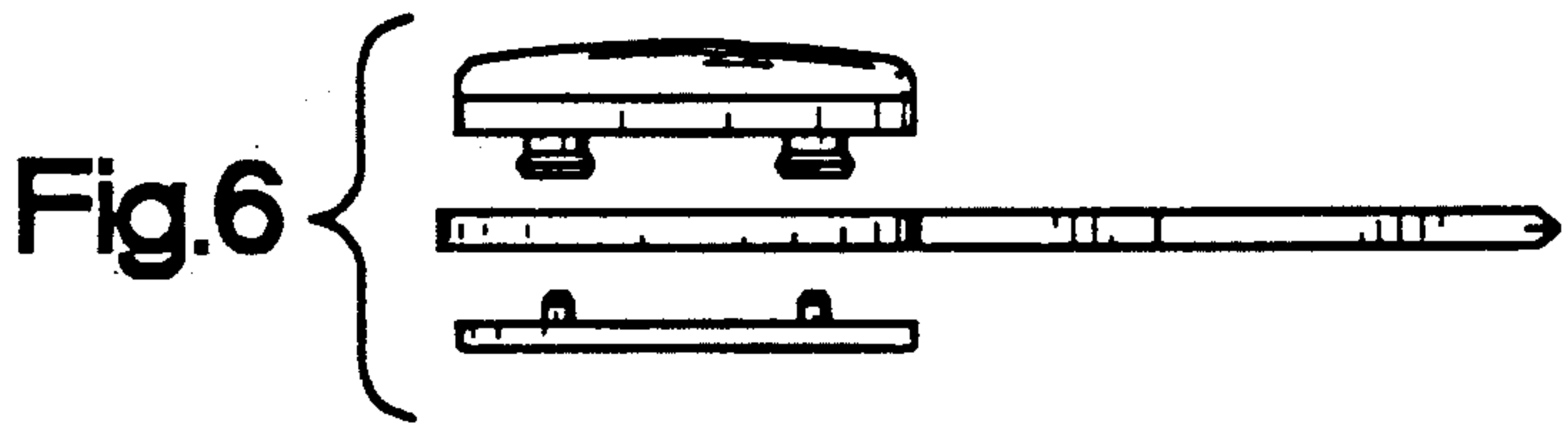
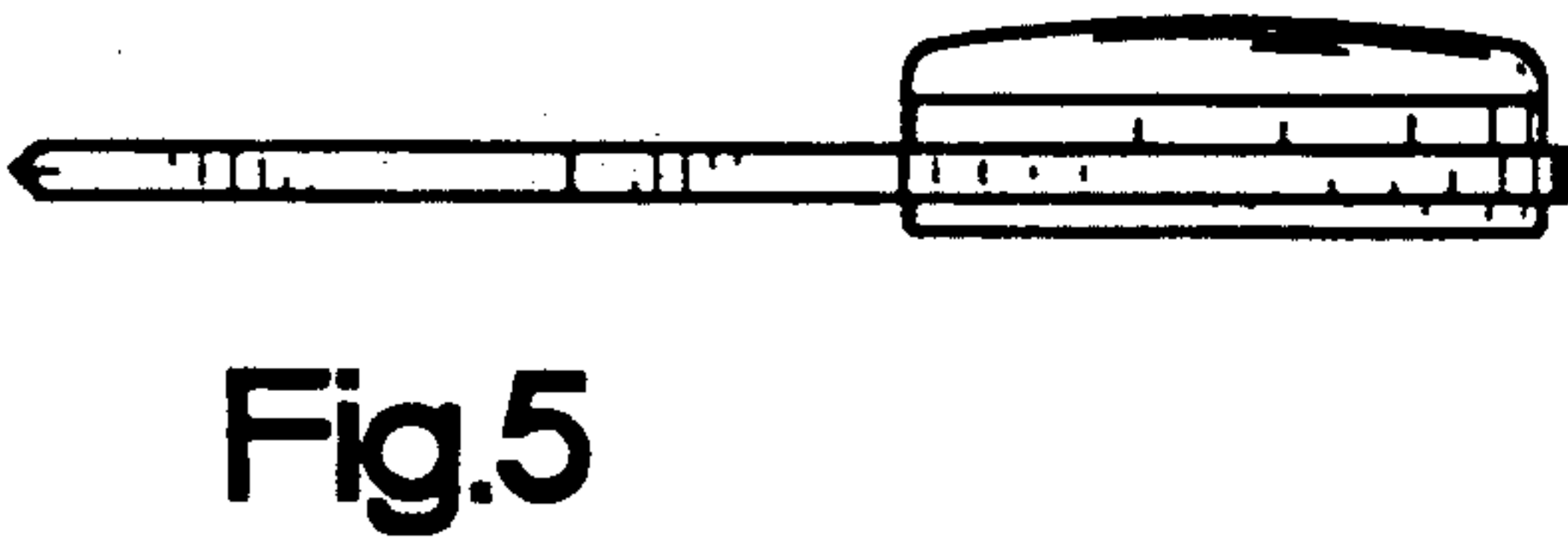
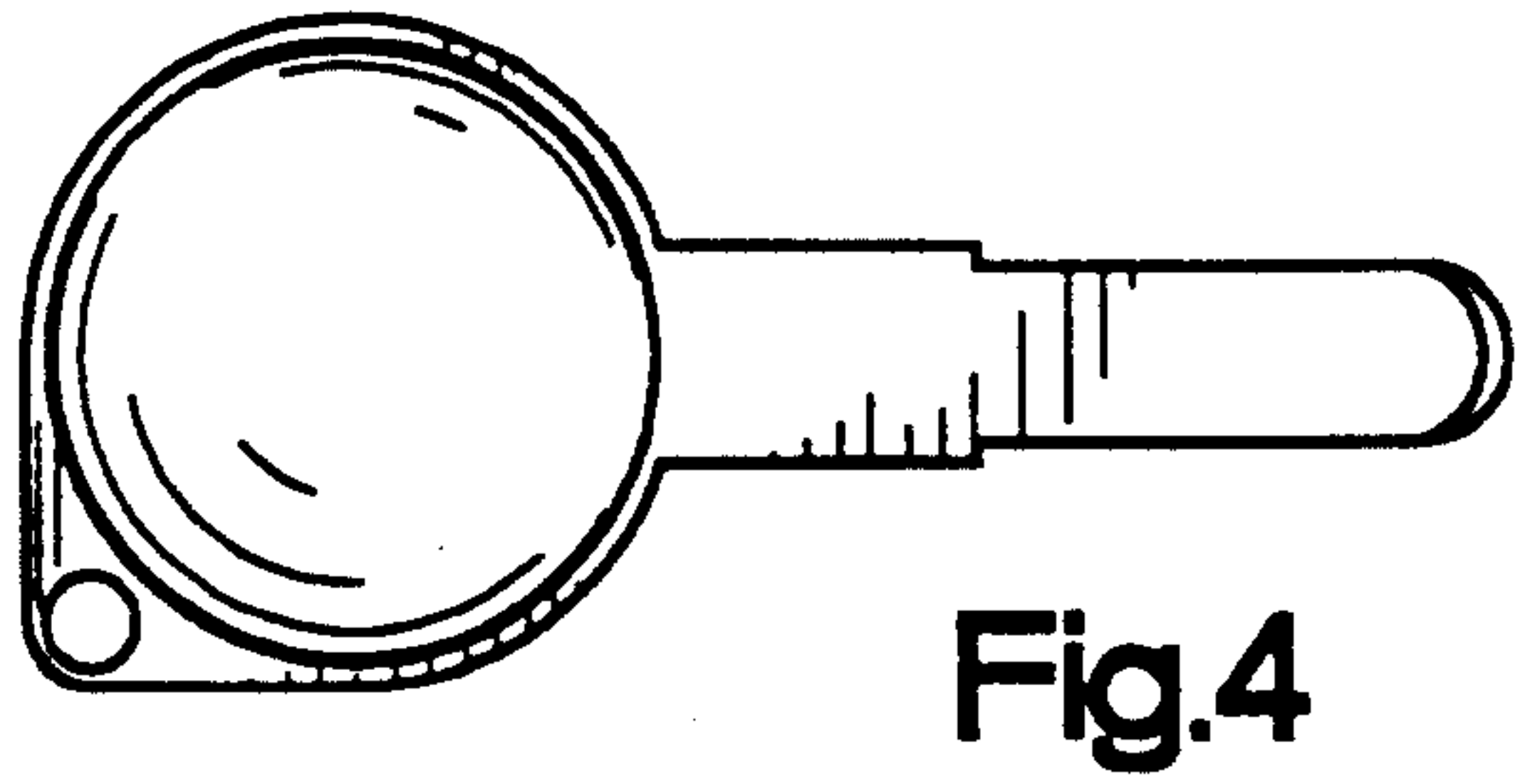
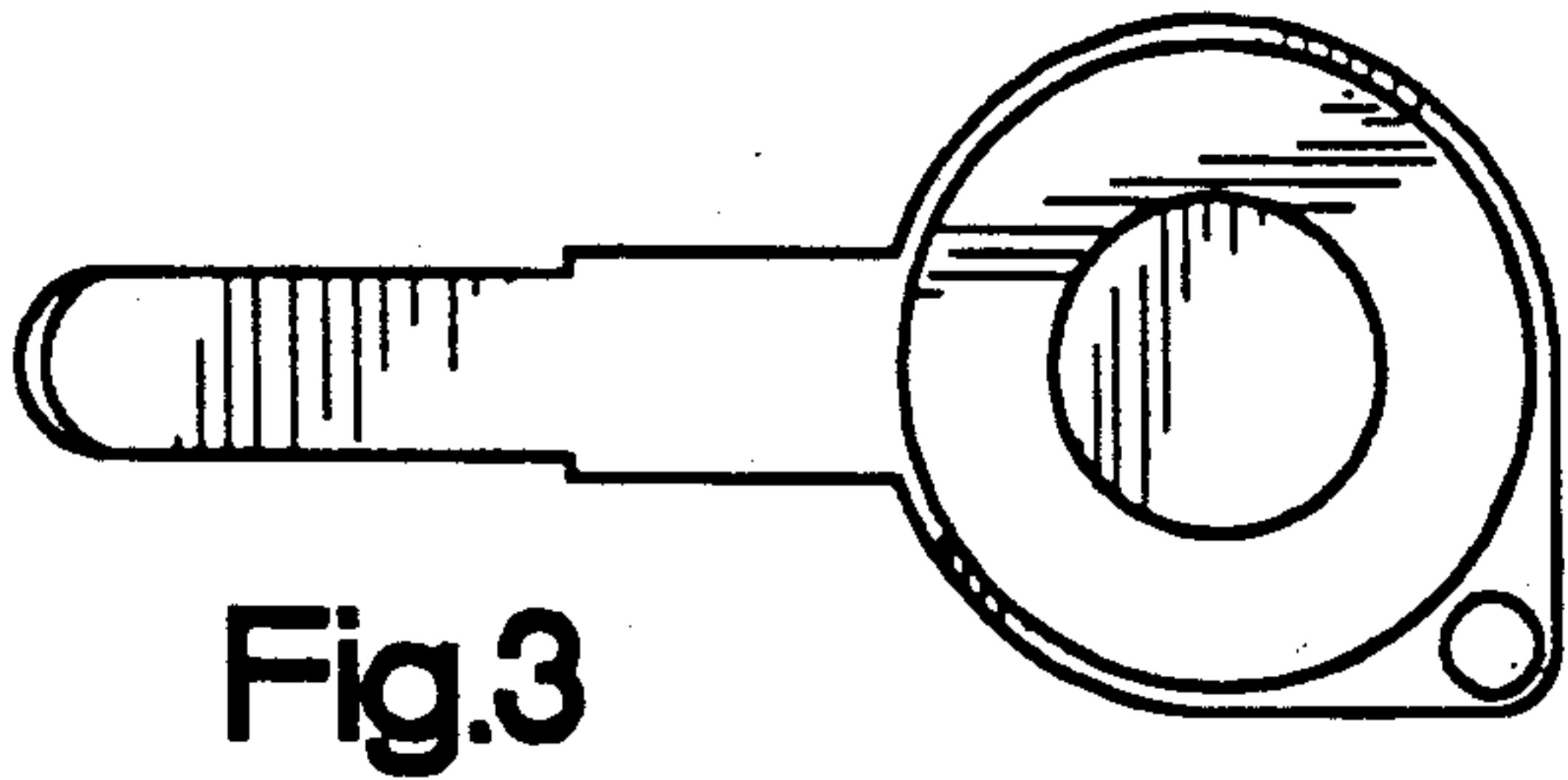


Fig.2



UNITED STATES PATENT AND TRADEMARK OFFICE
CERTIFICATE OF CORRECTION

PATENT NO. : Des. 343,783
DATED : February 1, 1994
INVENTOR(S) : Hans Zaugg, et. al.

It is certified that error appears in the above-identified patent and that said Letters Patent is hereby corrected as shown below:

Title page, item [30], under "foreign Application Priority Data", change "Switzerland" to -- WIPO--.

Signed and Sealed this
Ninth Day of May, 1995



BRUCE LEHMAN

Commissioner of Patents and Trademarks

Attest:

Attesting Officer