



US00D343776S

United States Patent [19]

Johnson

[11] Patent Number: **Des. 343,776**

[45] Date of Patent: **** Feb. 1, 1994**

[54] SOD PLUGGER

4,135,752 1/1979 Long 111/101
4,282,684 8/1981 McLellan 111/101

[76] Inventor: **David G. Johnson, 10695 Lee Dr.,
Eden Prairie, Minn. 55347**

FOREIGN PATENT DOCUMENTS

[**] Term: **14 Years**

40893 9/1929 Denmark .

[21] Appl. No.: **802,477**

Primary Examiner—Wallace R. Burke
Assistant Examiner—H. Baynham

[22] Filed: **Dec. 5, 1991**

[52] U.S. Cl. **D8/7**

[58] Field of Search **D8/1, 7, 13; 294/50.7;
30/301-303, 305, 316; 172/378; 111/101;
47/1.01**

[57] CLAIM

The ornamental design for a sod plugger, as shown and described.

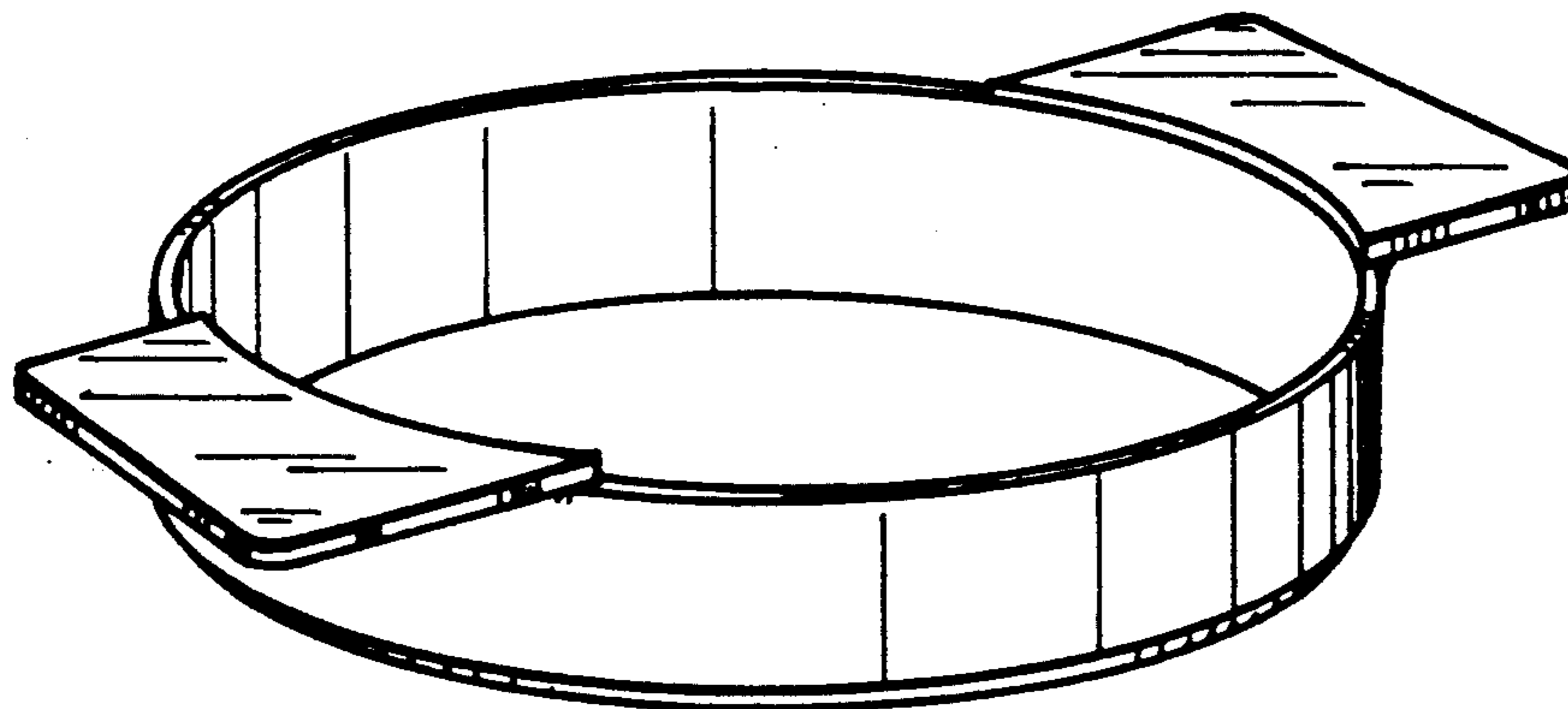
DESCRIPTION

[56] References Cited

U.S. PATENT DOCUMENTS

- D. 222,658 11/1971 Carlson D8/7
- D. 227,533 7/1973 Christell D76/672
- D. 234,113 1/1975 Wright D7/672
- D. 251,698 5/1979 Bartholomew, Jr. D8/7 X
- D. 306,247 2/1990 Shields D8/8

FIG. 1 is a perspective view of the sod cutter showing my new design;
 FIG. 2 is a top plan view thereof;
 FIG. 3 is a front elevational view thereof, the rear elevational view being a mirror image thereof;
 FIG. 4 is a side elevational view thereof, the opposite side being a mirror image thereof; and,
 FIG. 5 is a bottom plan view thereof.



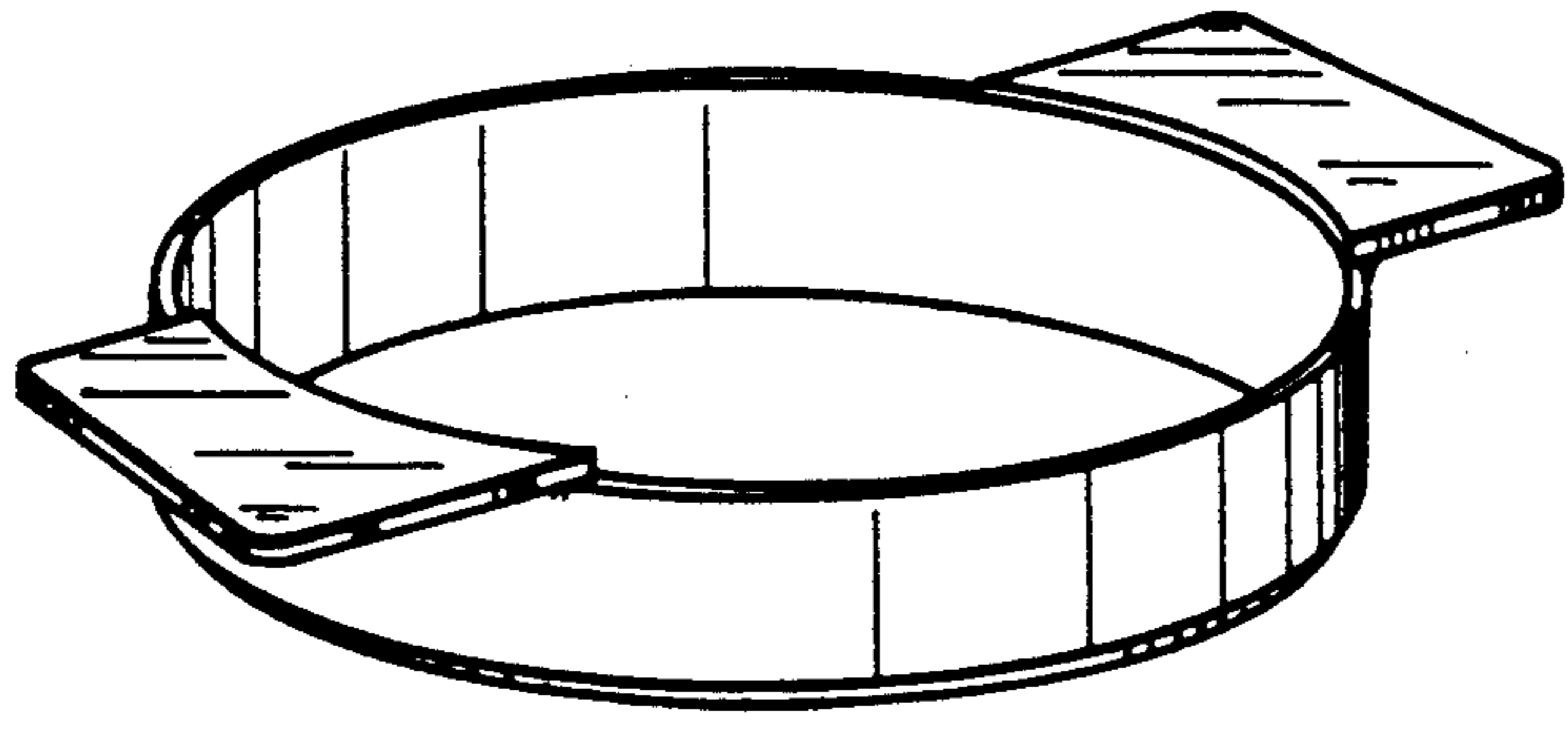


FIG. 1

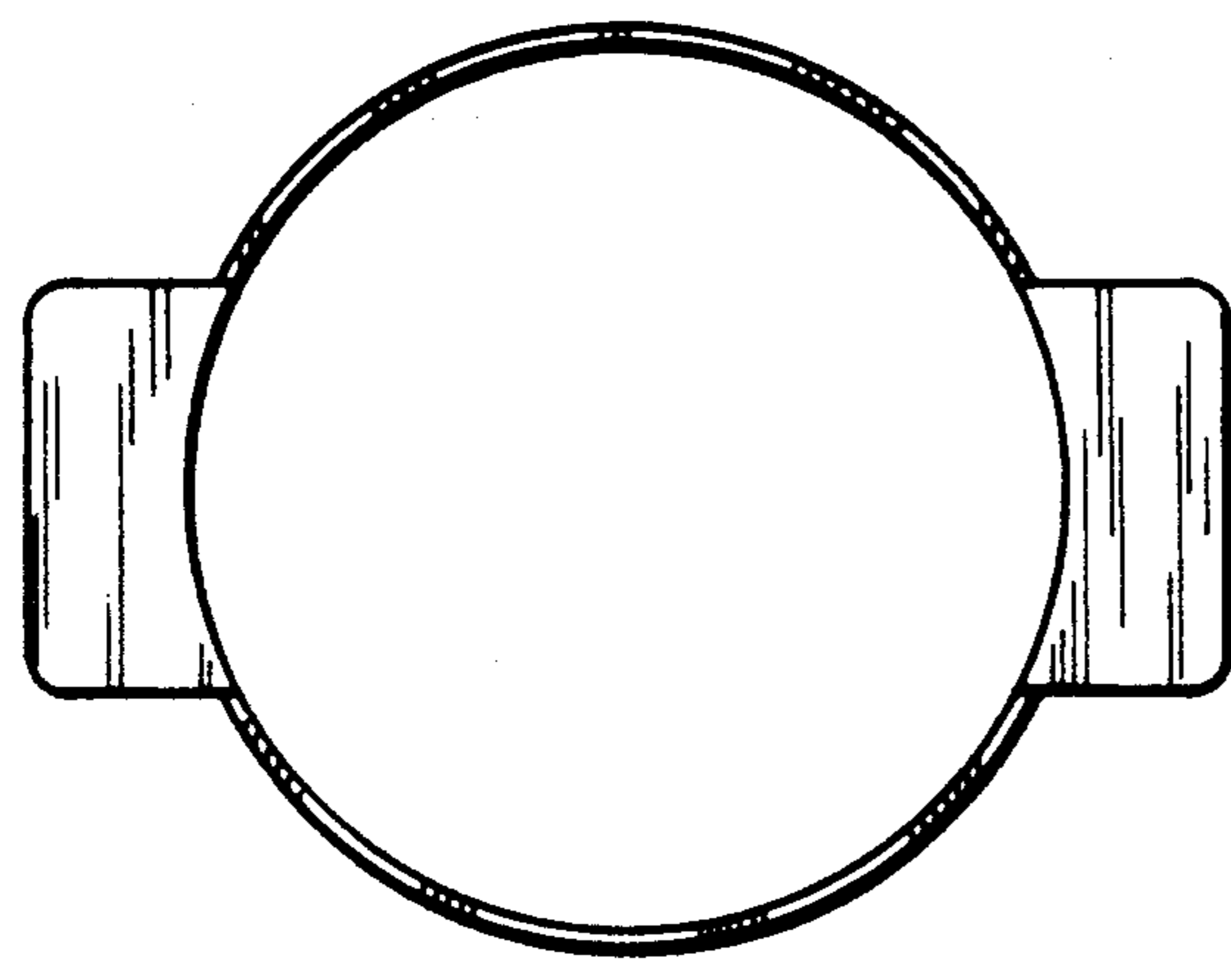


FIG. 2

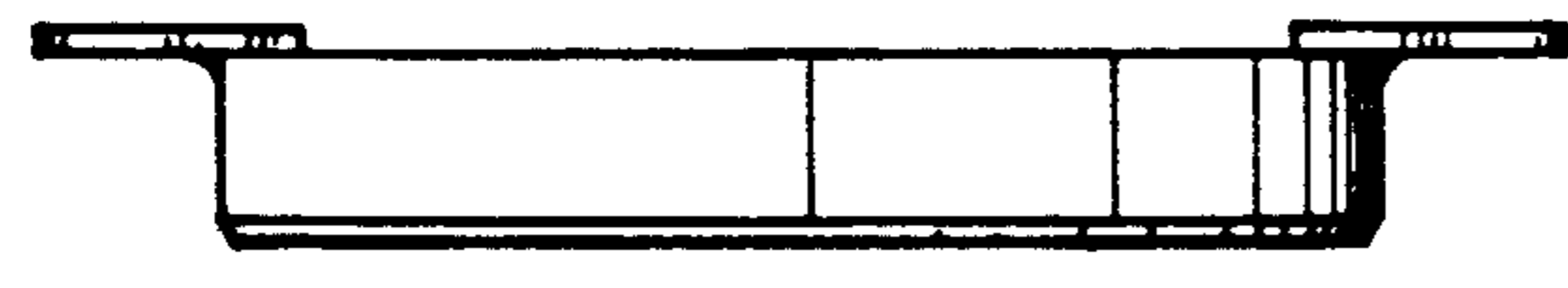


FIG. 3

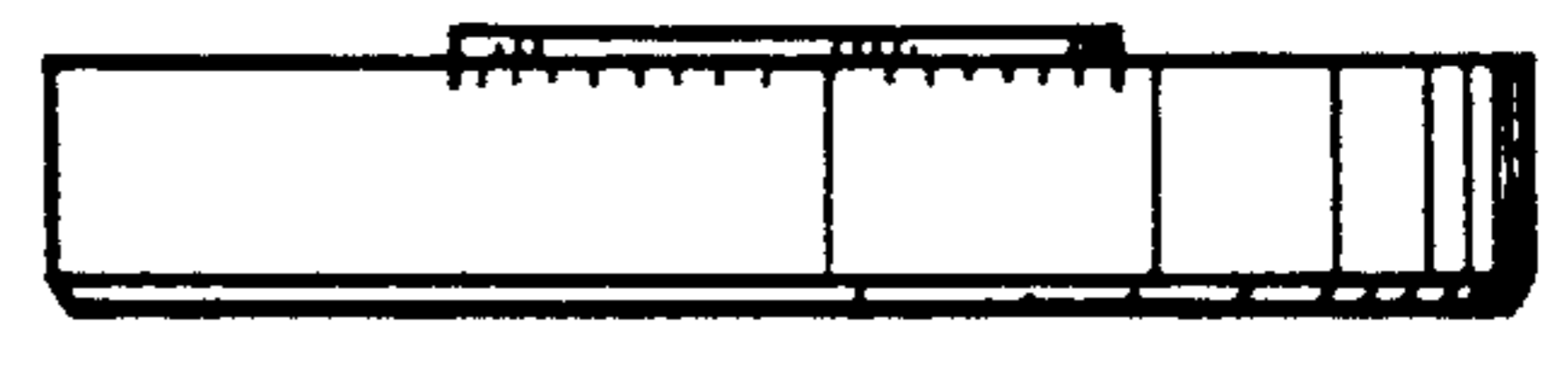


FIG. 4

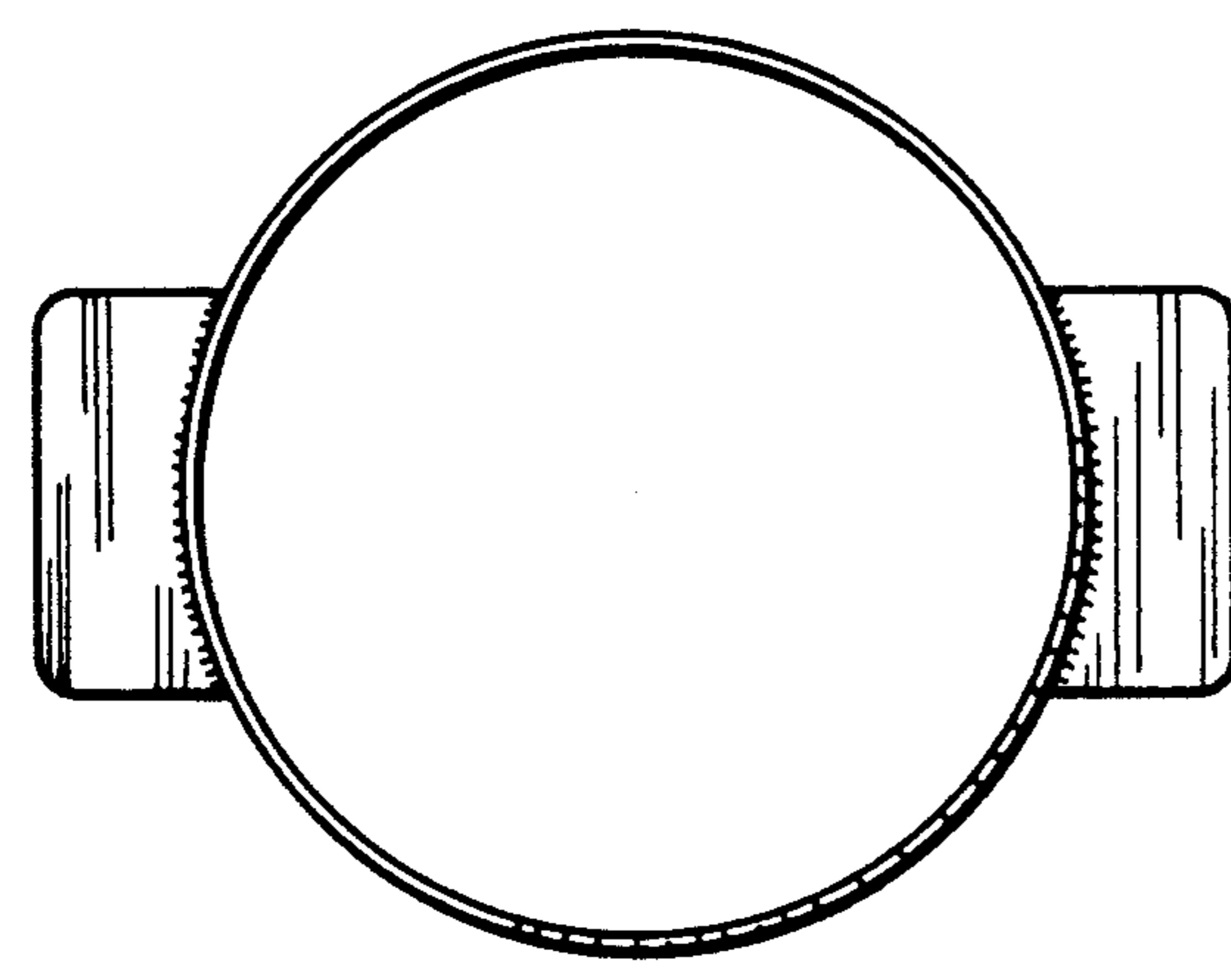


FIG. 5