



US00D343771S

United States Patent [19]
Jorgensen

[11] **Patent Number: Des. 343,771**
[45] **Date of Patent: ** Feb. 1, 1994**

[54] **COMBINED SALT AND PEPPER MILL**

[75] **Inventor: Carsten Jorgensen, Kriens, Switzerland**

[73] **Assignee: PI-Design AG, Trienaong, Switzerland**

[**] **Term: 14 Years**

[21] **Appl. No.: 731,937**

[22] **Filed: Jul. 18, 1991**

[52] **U.S. Cl. D7/679**

[58] **Field of Search D7/590, 679; 241/168, 241/169, 169.1; 222/142.1-142.9**

[56]

References Cited

U.S. PATENT DOCUMENTS

D. 317,105 5/1991 Bounds D7/679

Primary Examiner—Terry A. Wallace
Attorney, Agent, or Firm—J. W. Gipple

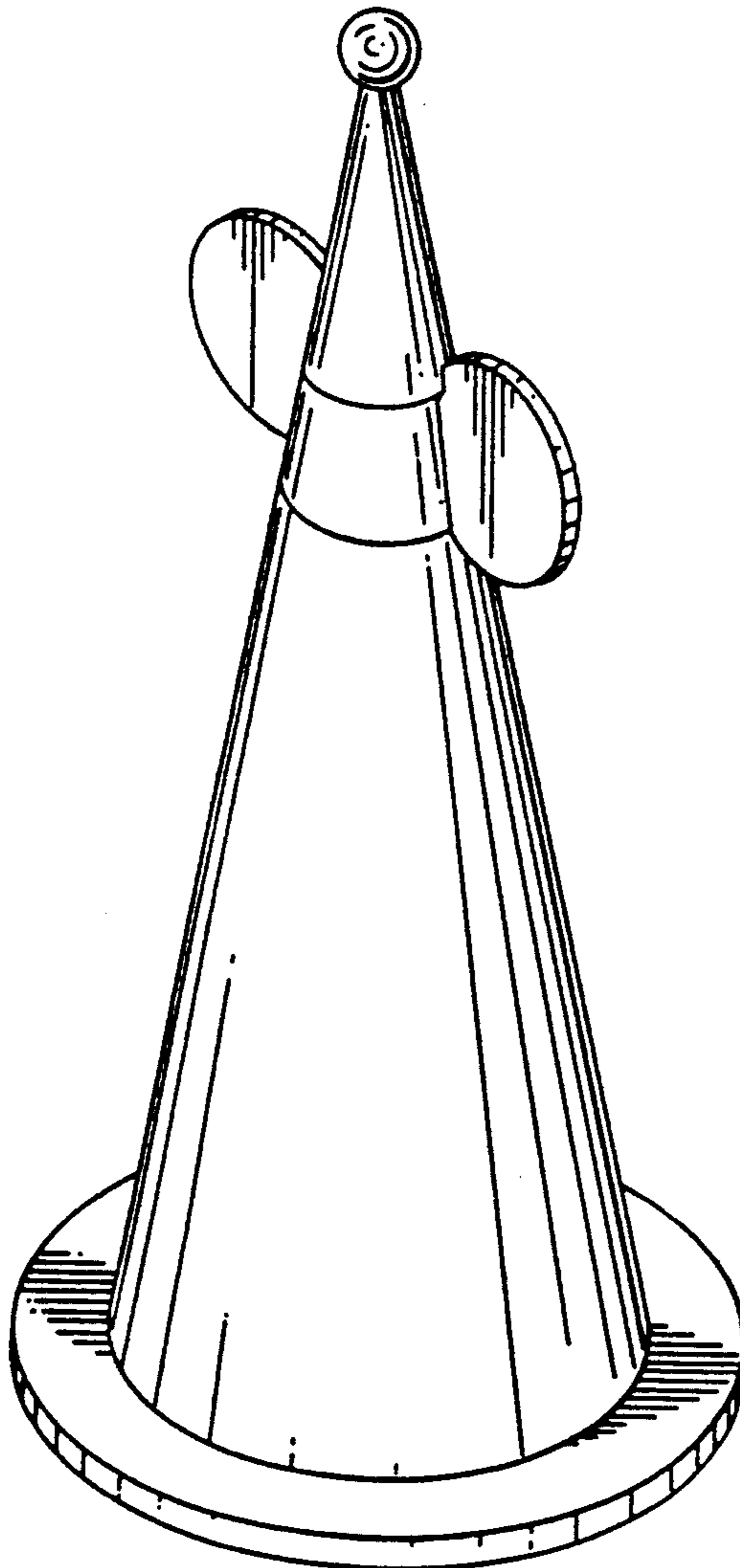
[57]

CLAIM

The ornamental design for a combined salt and pepper mill, as shown and described.

DESCRIPTION

FIG. 1 is a top, side perspective view of the combined salt and pepper mill showing my new design; FIG. 2 is a side elevational view thereof; FIG. 3 is a front elevational view thereof; FIG. 4 is a bottom plan view thereof; FIG. 5 is a top plan view thereof; and, FIG. 6 is a cross sectional elevational view thereof taken along line 6—6 of FIG. 2.



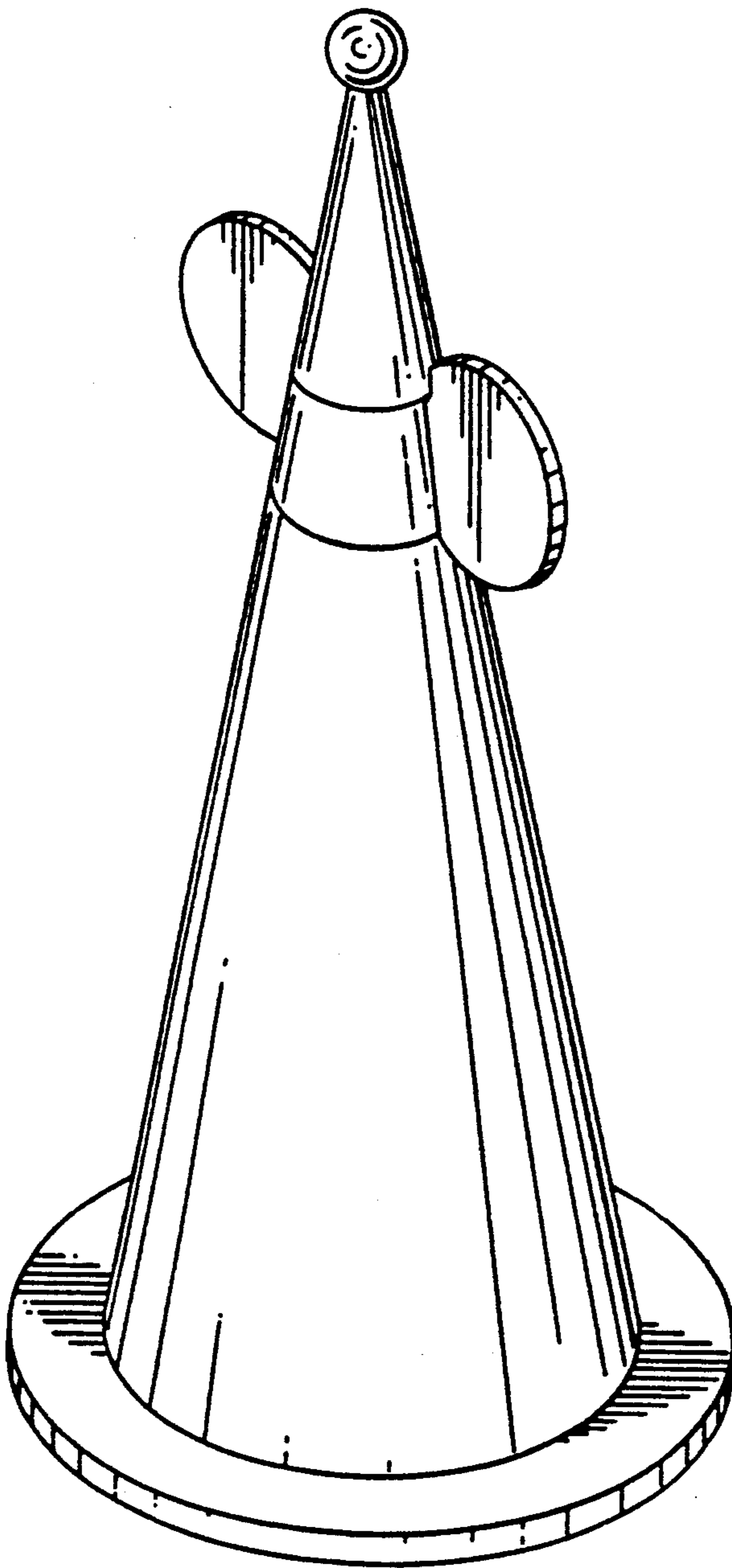


FIG. 1

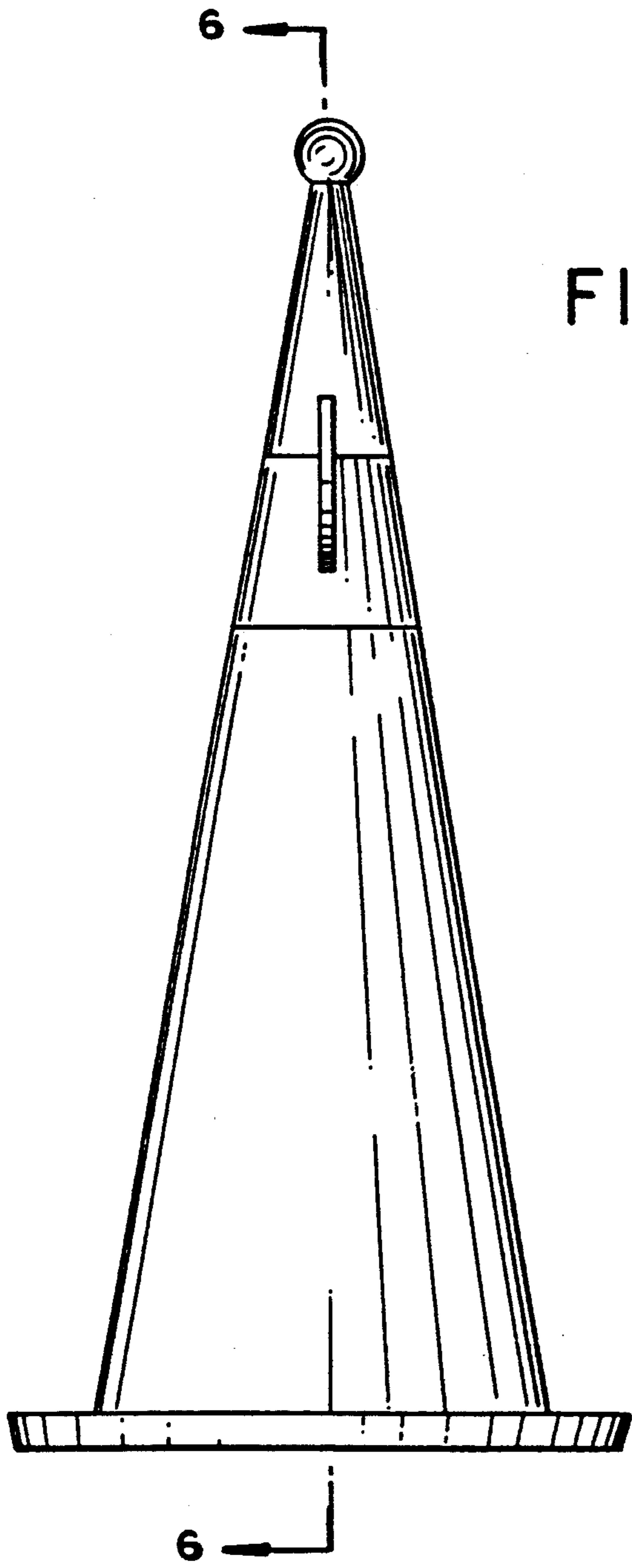
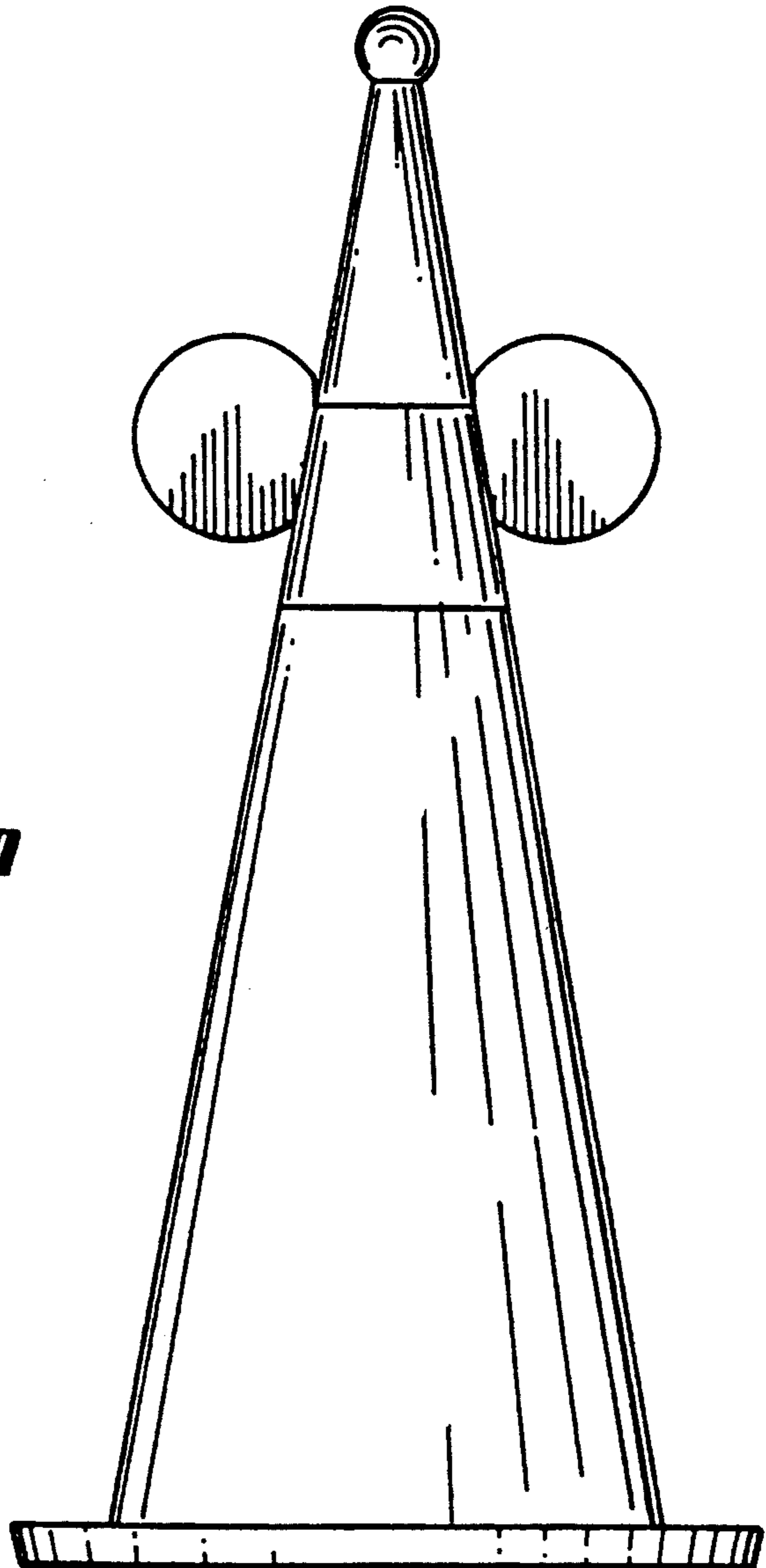


FIG. 2

FIG. 3



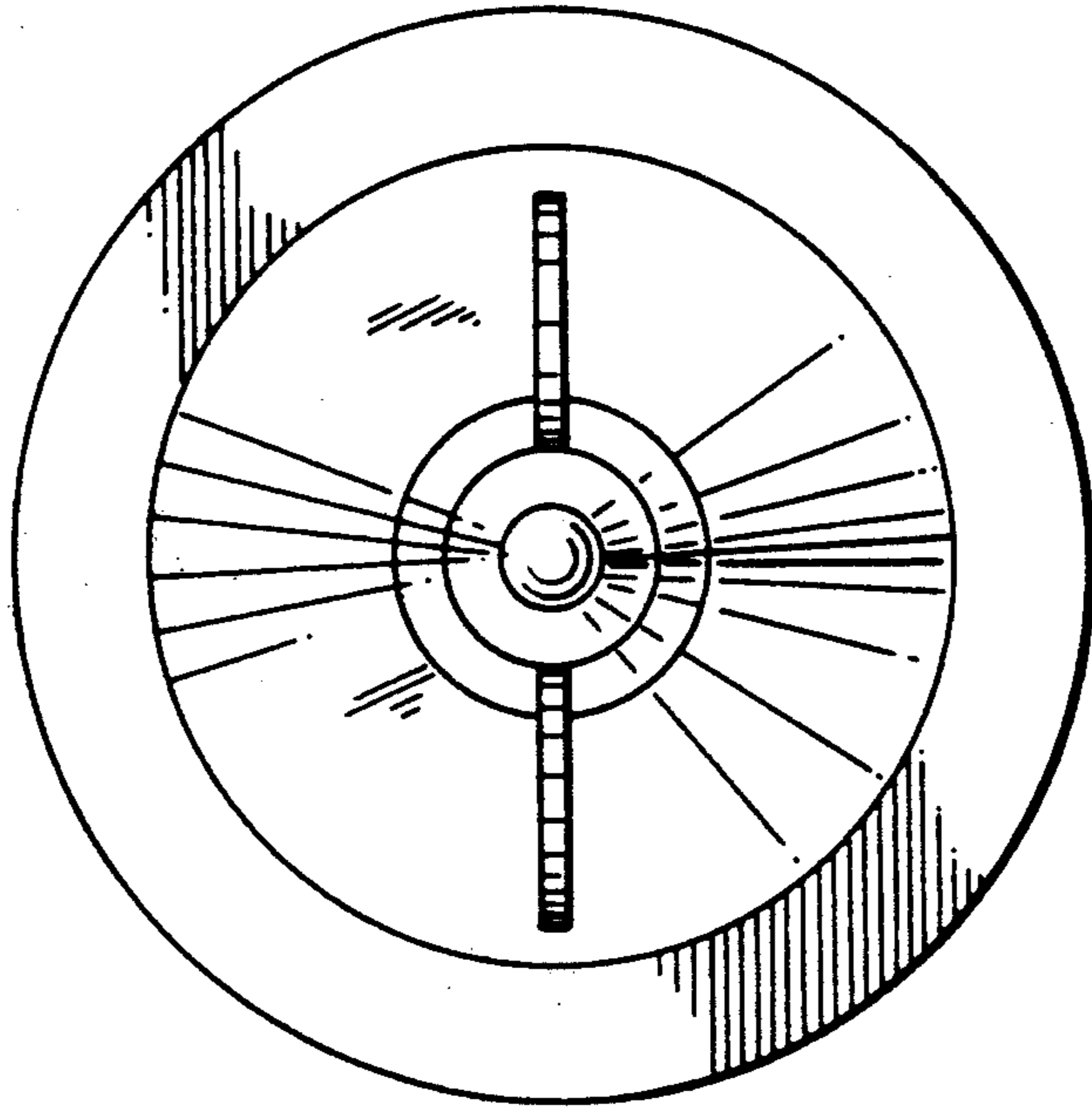


FIG. 5

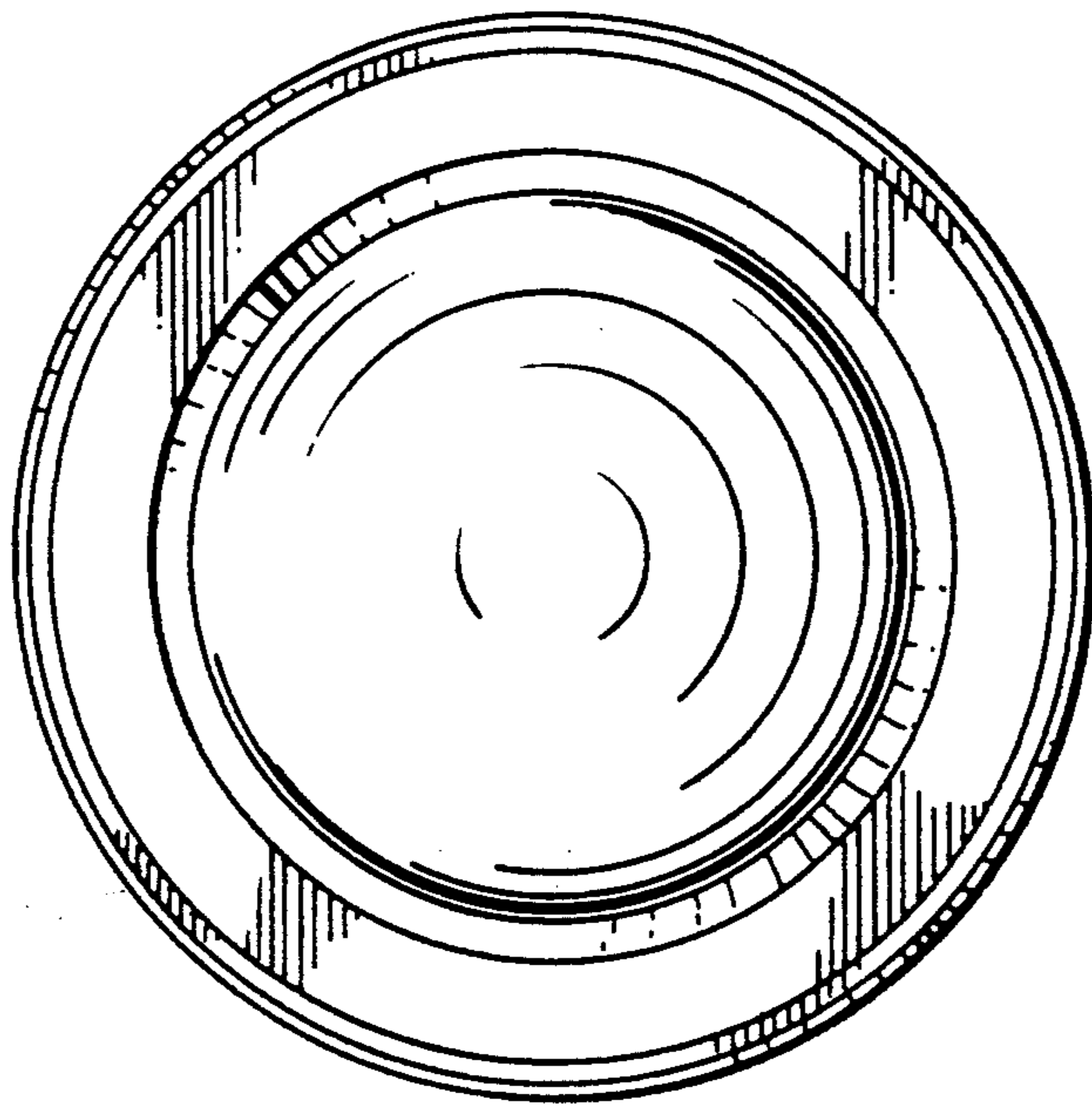


FIG. 4

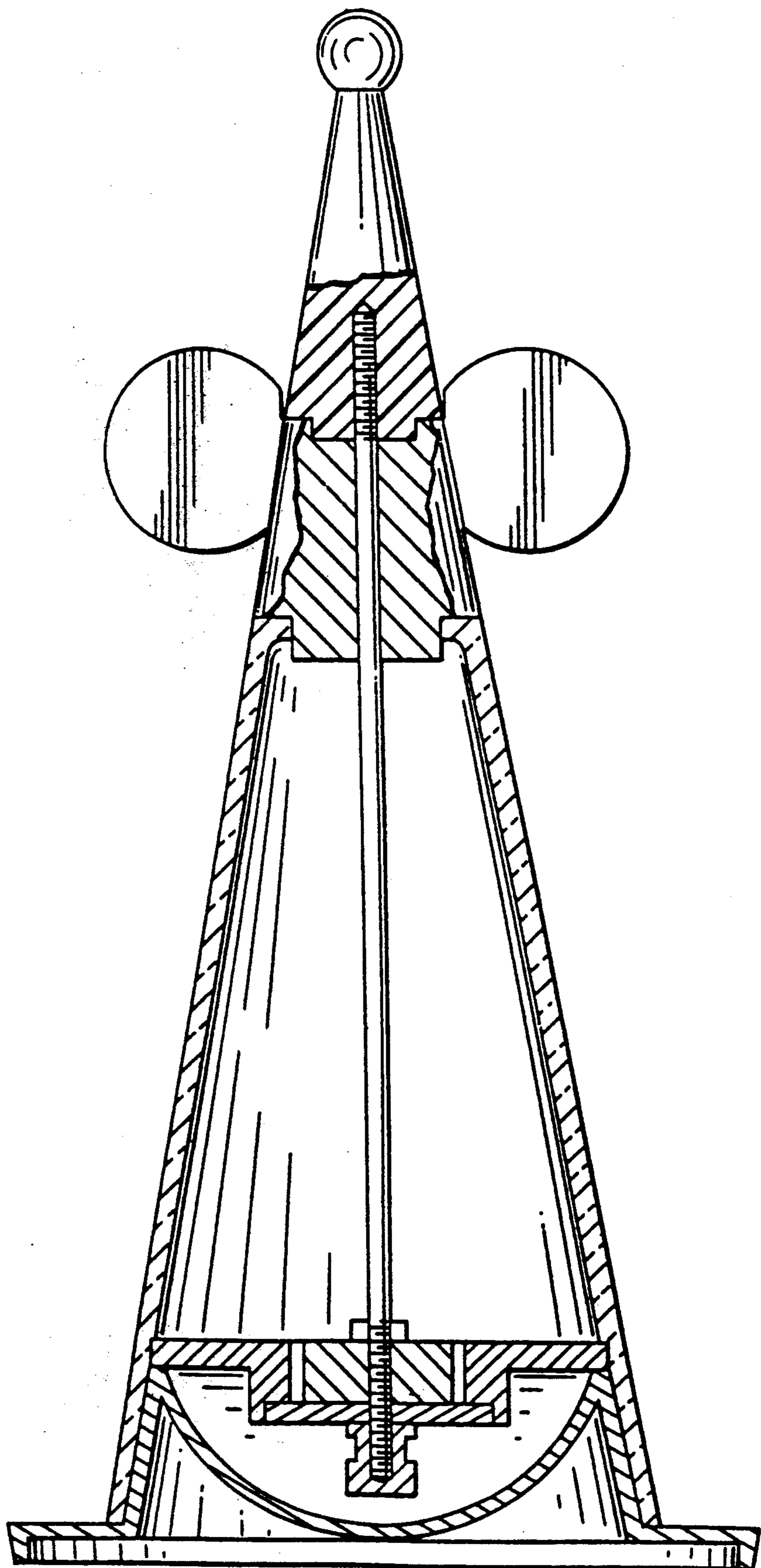


FIG. 6