



US00D343770S

United States Patent [19]

McFarling et al.

[11] Patent Number: **Des. 343,770**

[45] Date of Patent: **** Feb. 1, 1994**

[54] **BAGEL SLICER**

[76] Inventors: **Jay A. McFarling; Jennie E. McFarling**, both of P.O. Box 300461, Escondido, Calif. 92027

[**] Term: **14 Years**

[21] Appl. No.: **874,420**

[22] Filed: **Apr. 27, 1992**

[52] U.S. Cl. **D7/673**

[58] Field of Search **D7/673-674; 83/451, 609, 761-762; 269/87.2, 287-288, 291, 295**

[56] **References Cited**

U.S. PATENT DOCUMENTS

4,948,106 8/1990 Popeil et al. **D7/673 X**

OTHER PUBLICATIONS

G&DA, Oct. 1984, p. 122, Bagel Cutter.
Bloomingdale's, p. 11, Bagel Cutter.

Primary Examiner—Terry A. Wallace
Attorney, Agent, or Firm—Ralph S. Branscomb

[57] **CLAIM**

The ornamental design for a bagel slicer, as shown and described.

DESCRIPTION

FIG. 1 is a perspective view of a bagel slicer showing our new design;

FIG. 2 is a top plan view thereof;

FIG. 3 is a bottom plan view thereof;

FIG. 4 is a front elevational view thereof, the opposite side being a mirror image; and,

FIG. 5 is a side elevational view thereof.

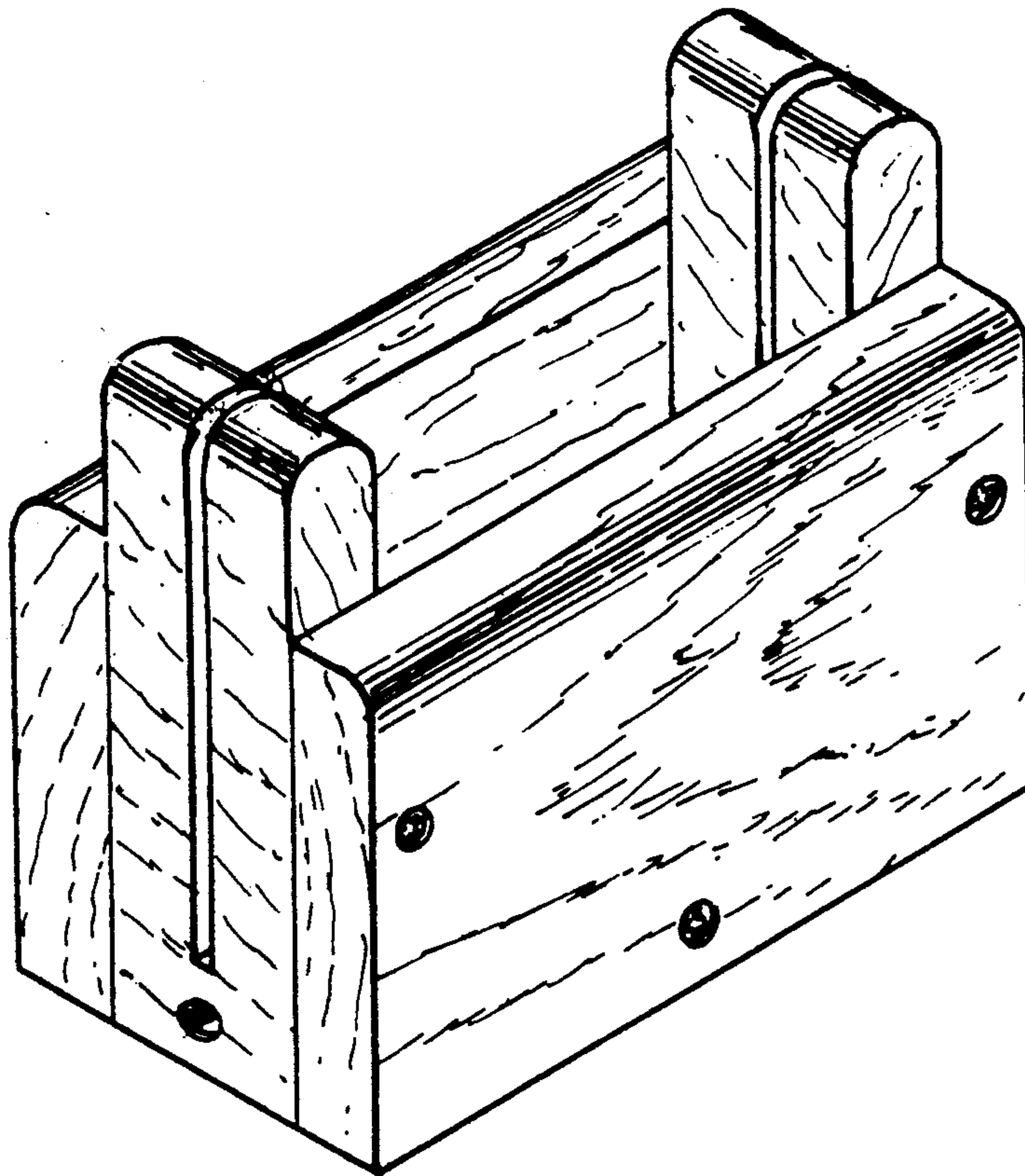


Fig. 1

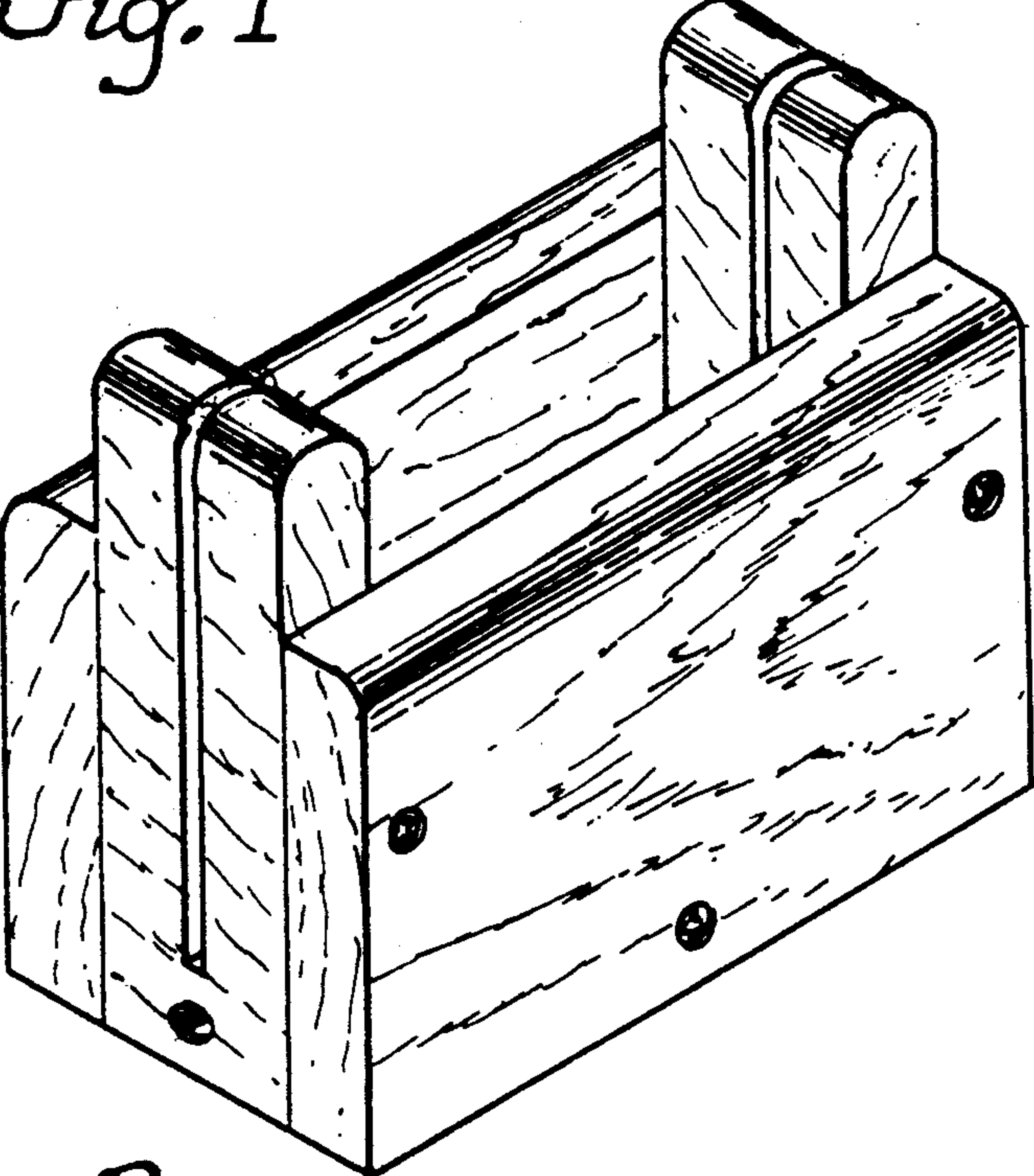


Fig. 2

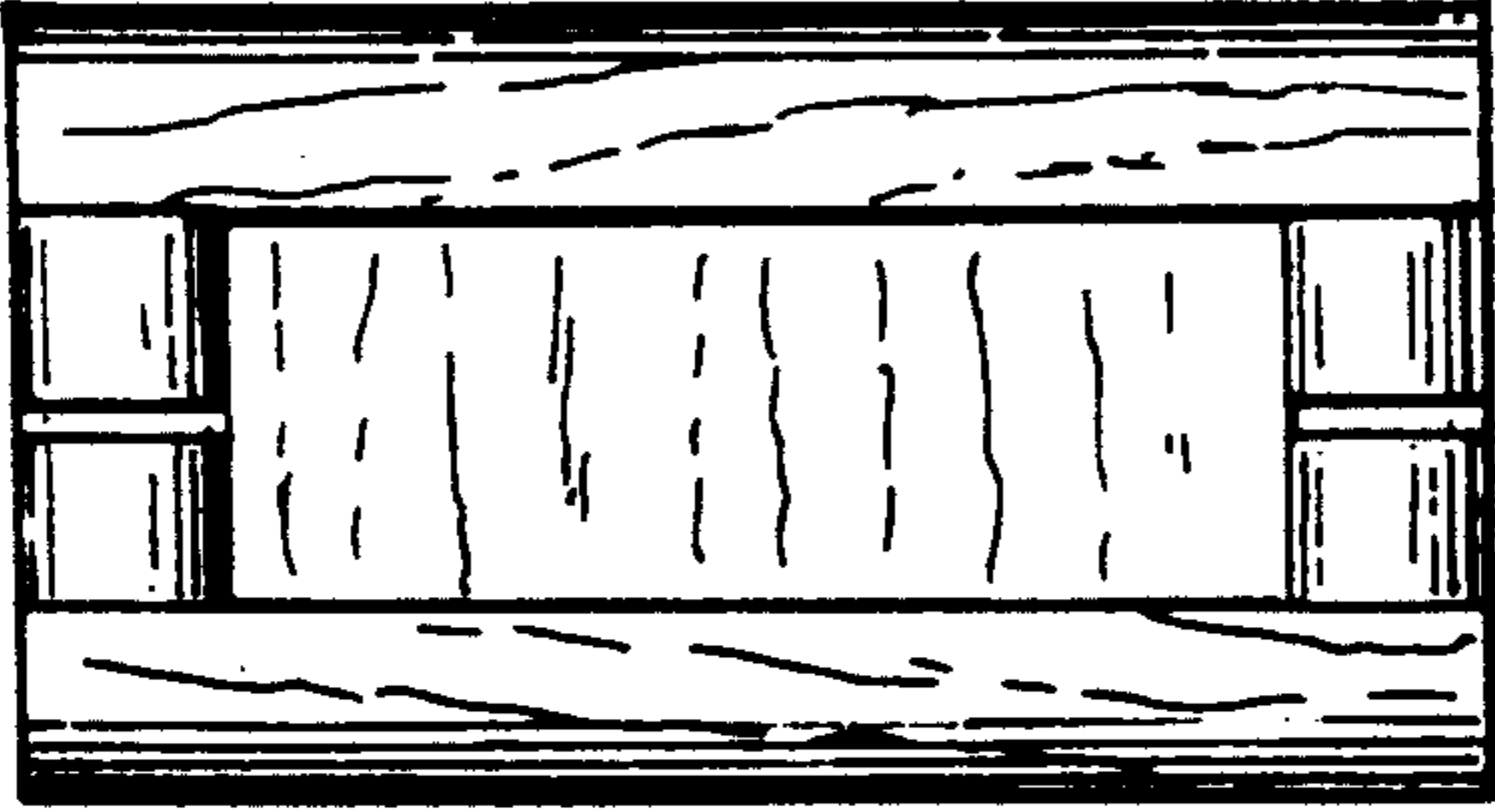


Fig. 3

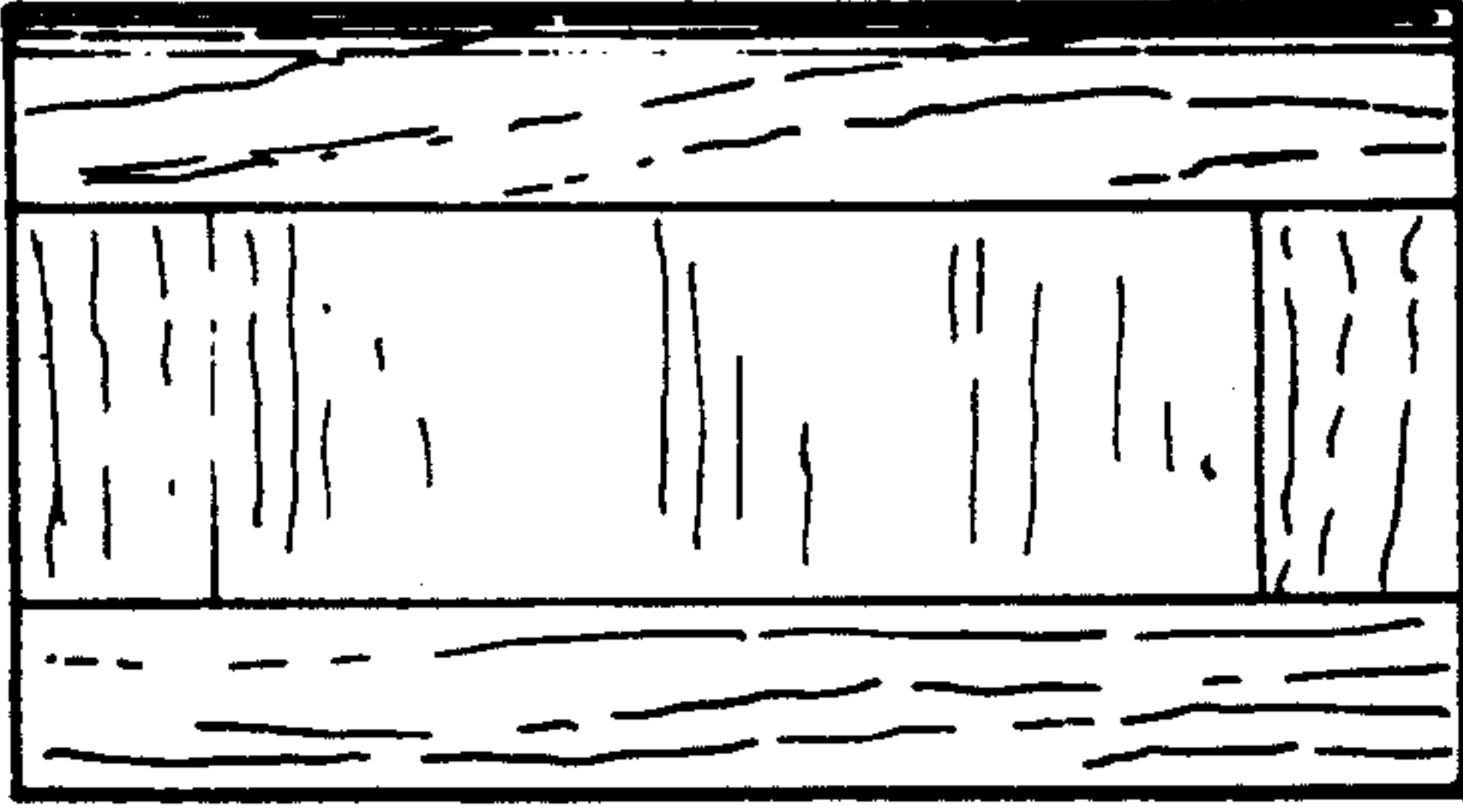


Fig. 4

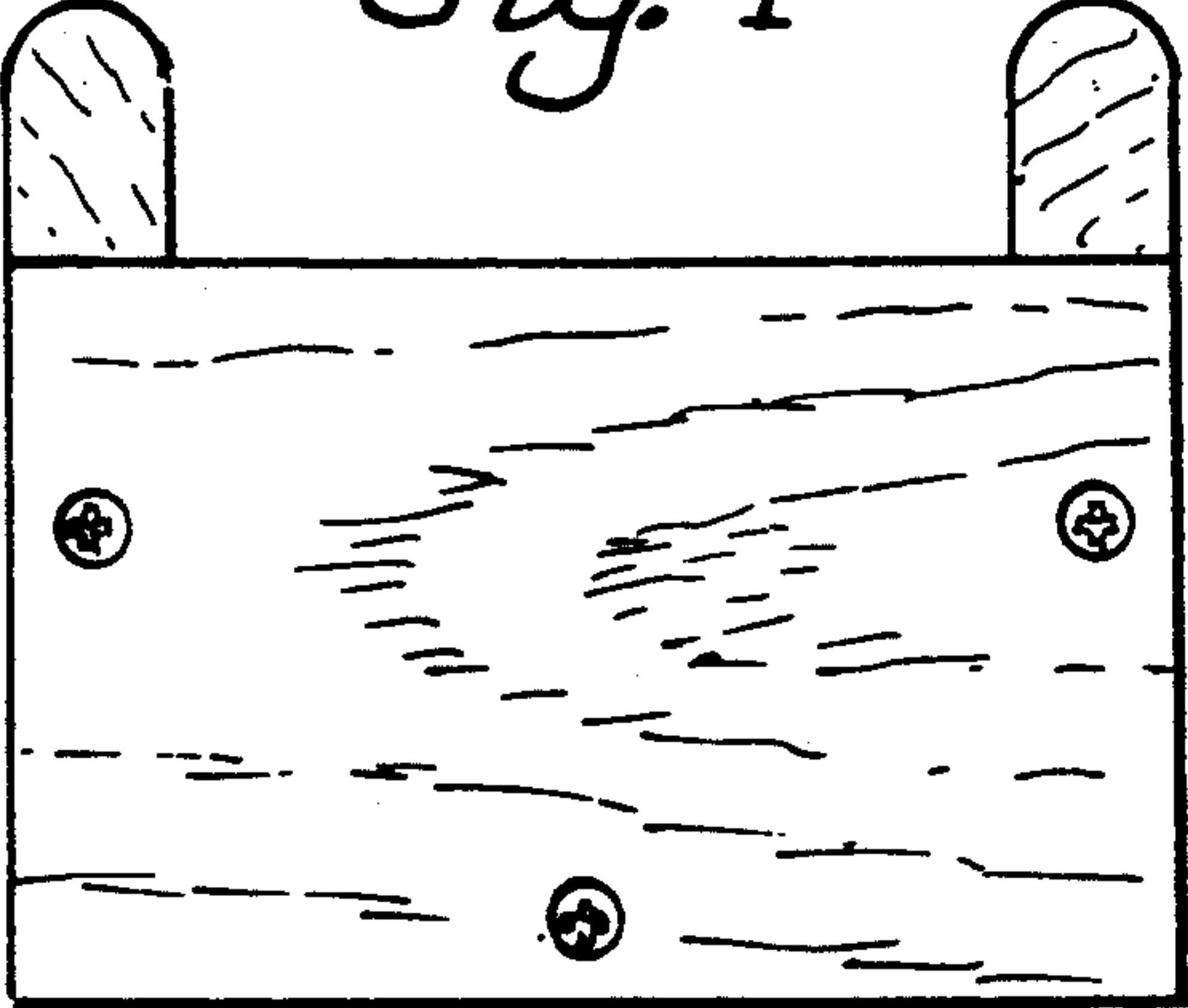


Fig. 5

