



US00D343763S

# United States Patent [19]

[11] Patent Number: Des. 343,763

Zimmerman

[45] Date of Patent: \*\* Feb. 1, 1994

[54] SUGAR BOWL

[75] Inventor: Larry G. Zimmerman, Champaign, Ill.

[73] Assignee: Dart Industries, Inc., Deerfield, Ill.

[\*\*] Term: 14 Years

[21] Appl. No.: 740,207

[22] Filed: Aug. 1, 1991

[52] U.S. Cl. .... D7/548; D7/545; D7/543

[58] Field of Search ..... D7/319, 548, 320, 623, D7/622, 322, 300, 303, 312, 316, 317, 318, 321, 509, 511, 510, 533, 534, 515, 543, 545, 548; 220/771, 711, 714, 770, 772; D9/528; 222/465.1, 470, 472, 475; 215/12.1

[56] References Cited

U.S. PATENT DOCUMENTS

- D. 38,627 6/1907 Slater ..... D7/319
- D. 40,686 5/1910 Sanford .
- D. 95,277 4/1935 McKeon .
- D. 155,304 9/1949 McKay ..... D7/534
- D. 164,406 9/1951 Cowan .
- D. 255,531 6/1980 Daenen et al. .... D7/312 X
- D. 258,796 4/1981 Paulides ..... D7/534 X
- D. 259,011 4/1981 Daenen ..... D7/318
- D. 262,682 1/1982 Morin ..... D7/318

- D. 272,225 1/1984 De Coster ..... D7/319
- D. 287,325 12/1986 Schmidt ..... D7/318 X
- D. 302,926 8/1989 Beeren ..... D7/317
- D. 303,904 10/1989 Wolfenden ..... D7/317
- D. 306,547 3/1990 Wolfenden ..... D7/319 X
- D. 312,745 12/1990 Daenen et al. .... D7/319 X
- 4,096,966 6/1978 Korshak .

OTHER PUBLICATIONS

Modern Plastics Styrene Pitcher by Rogers Jun. 1954.

Primary Examiner—Nelson C. Holtje

Assistant Examiner—M. N. Pandozzi

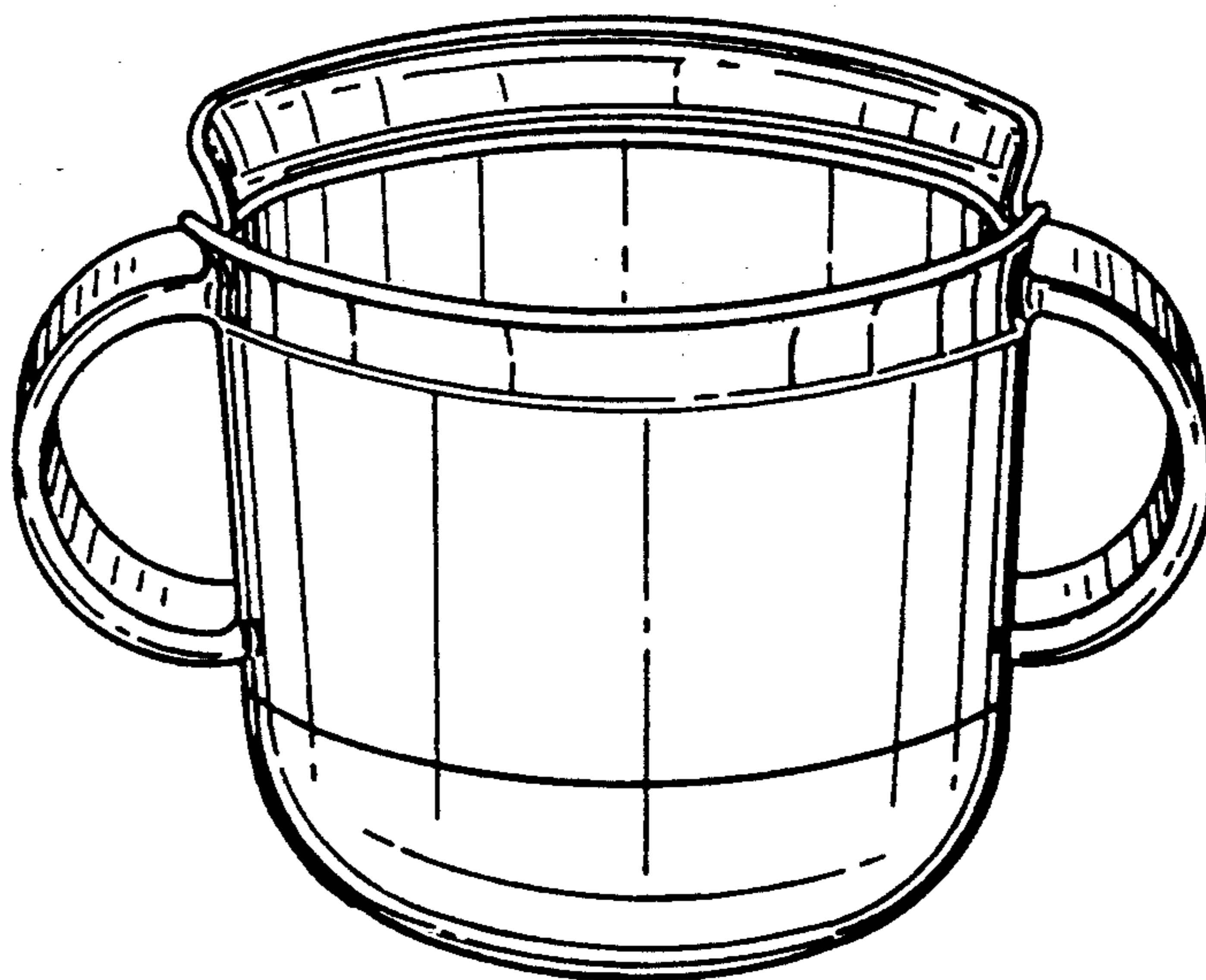
Attorney, Agent, or Firm—John A. Doninger

[57] CLAIM

The ornamental design for a sugar bowl, as shown.

DESCRIPTION

FIG. 1 is a perspective view of a sugar bowl showing the new design;  
 FIG. 2 is a top plan view thereof;  
 FIG. 3 is a bottom plan view thereof;  
 FIG. 4 is a side view thereof;  
 FIG. 5 is a side view of the opposite side thereof;  
 FIG. 6 is a view of a handle end thereof;  
 FIG. 7 is a view of the opposite handle end thereof;  
 FIG. 8 is a cross-section view thereof taken on the plane of line 8—8 in FIG. 2; and,  
 FIG. 9 is a cross-section view thereof taken on the plane of line 9—9 in FIG. 2.



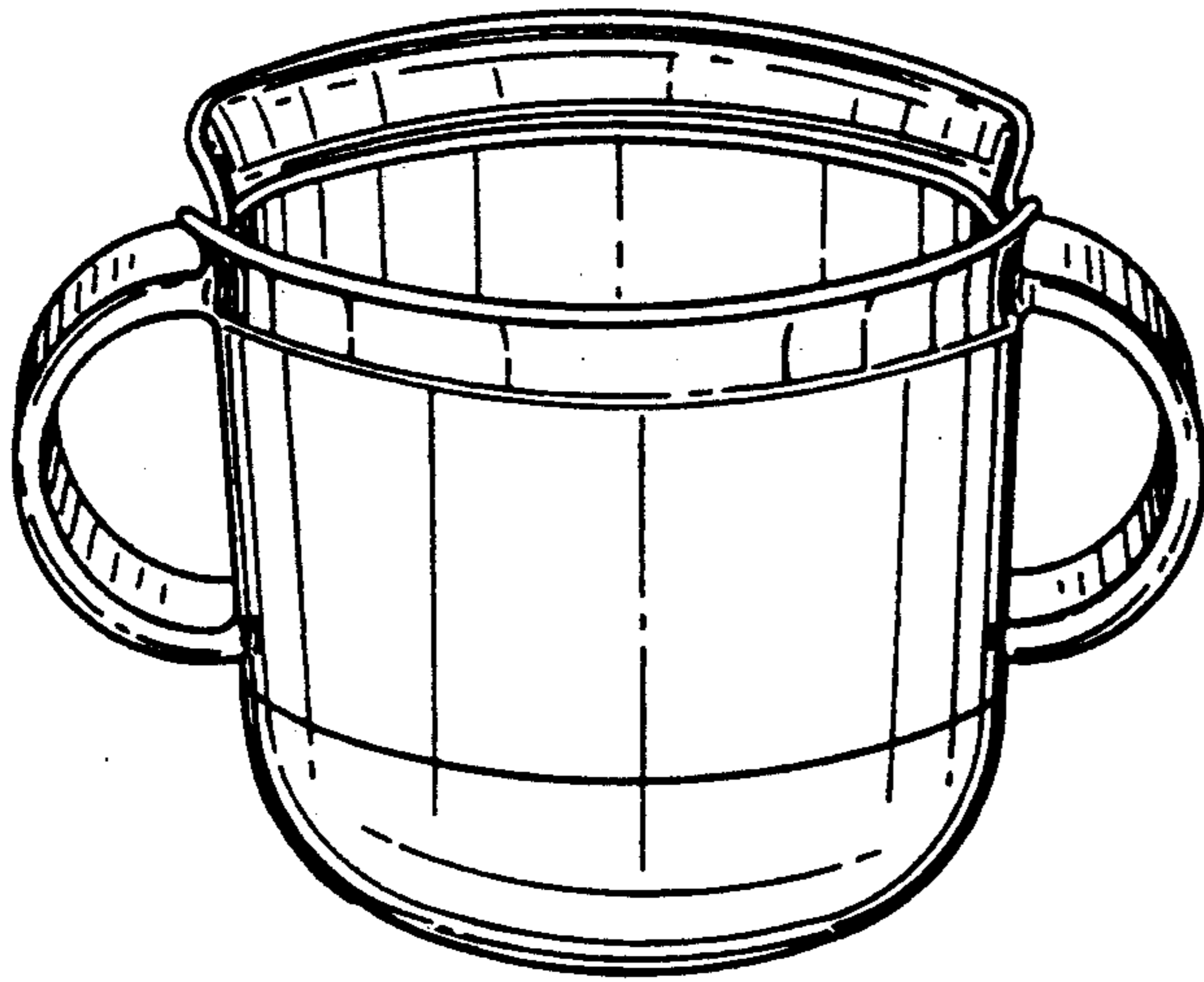


FIG. 1

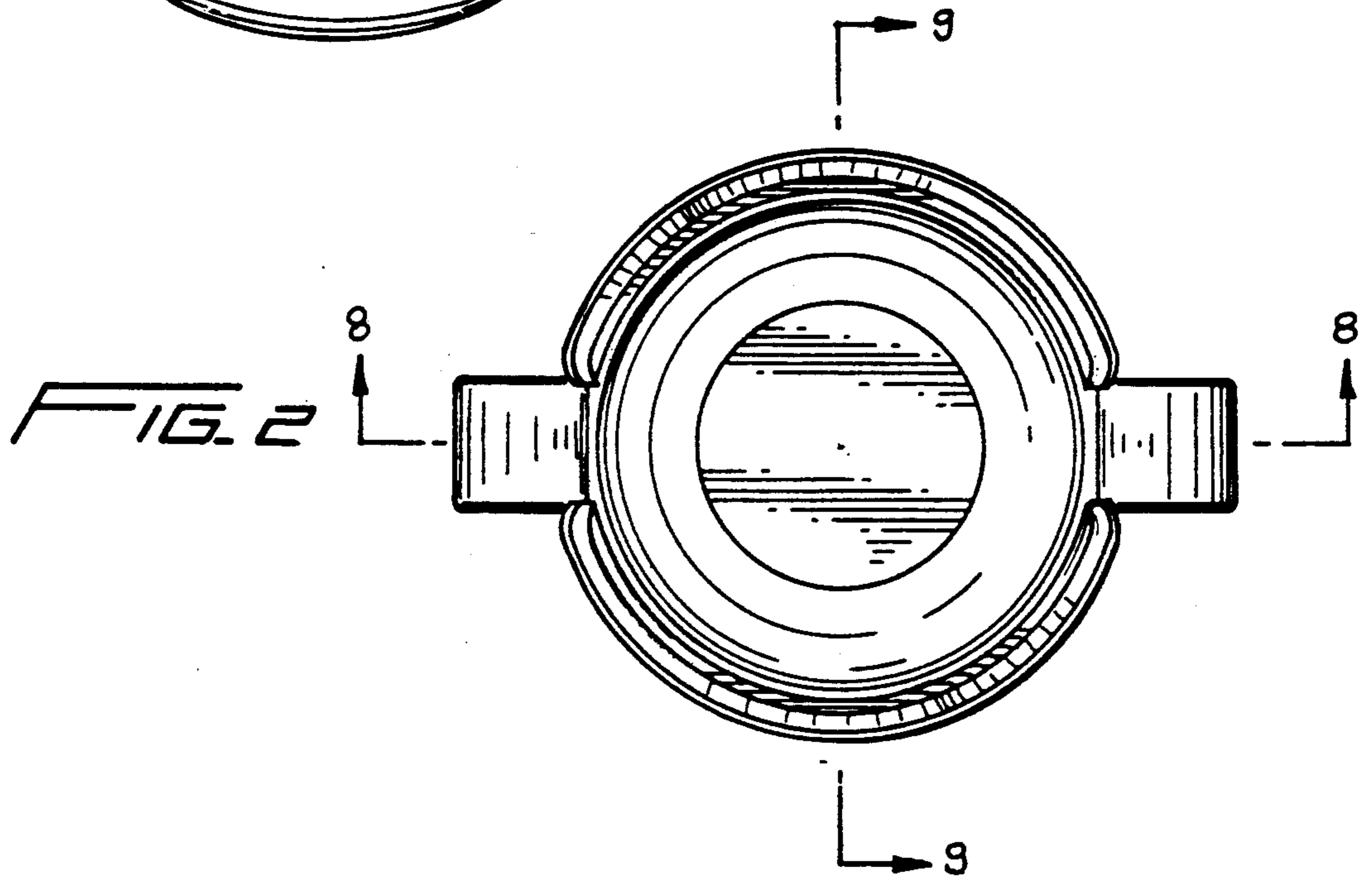


FIG. 2

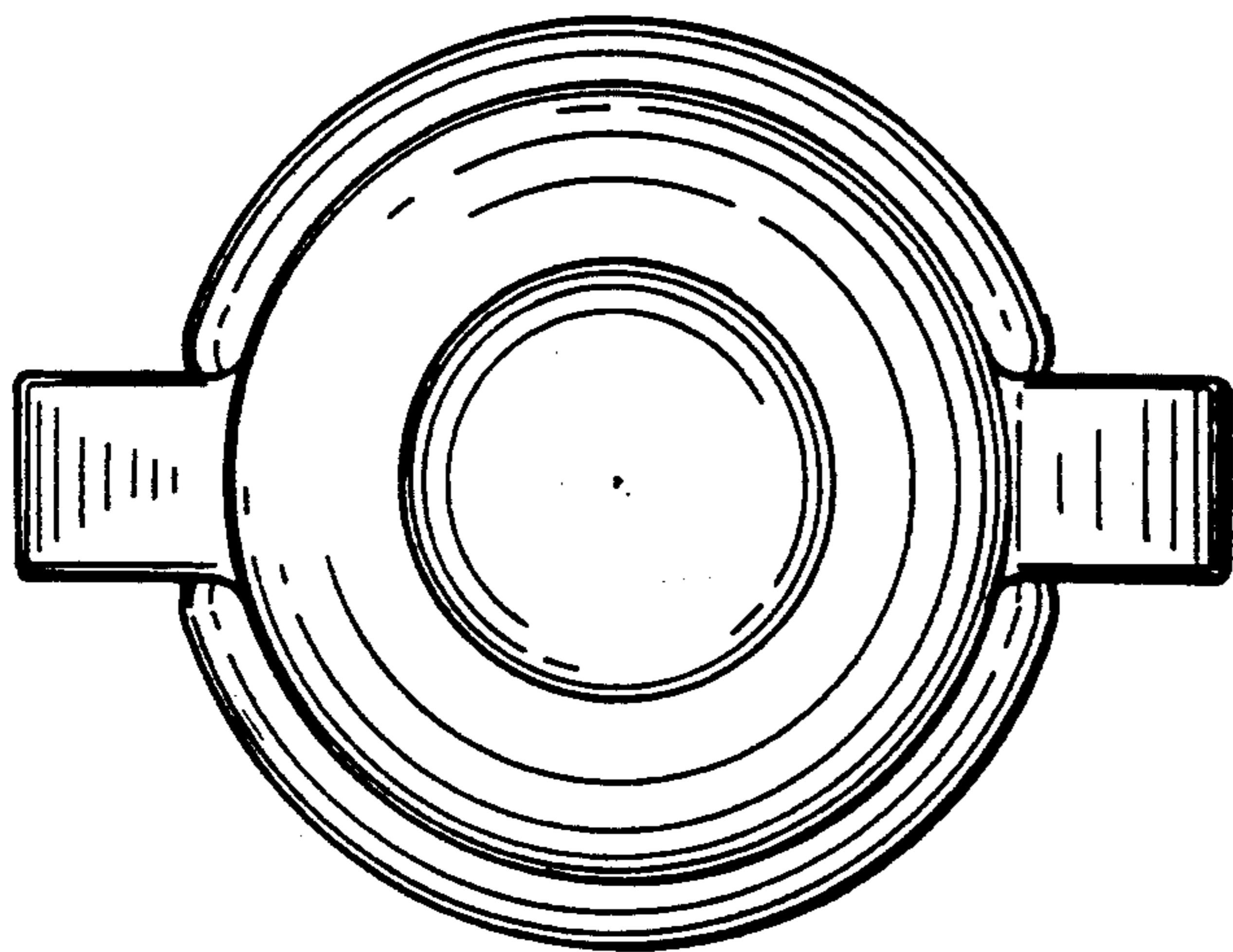


FIG. 3

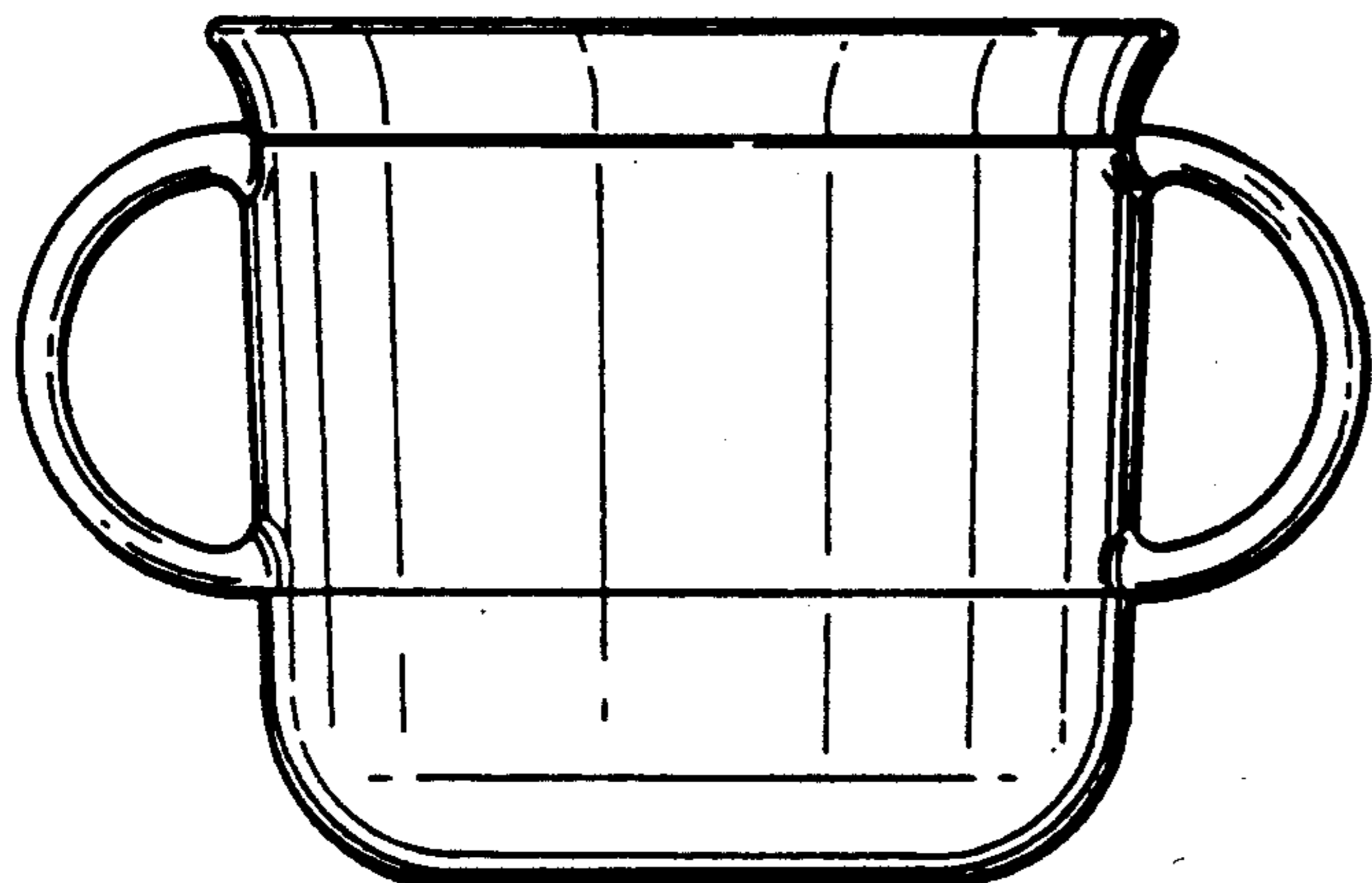


FIG. 4

FIG. 5

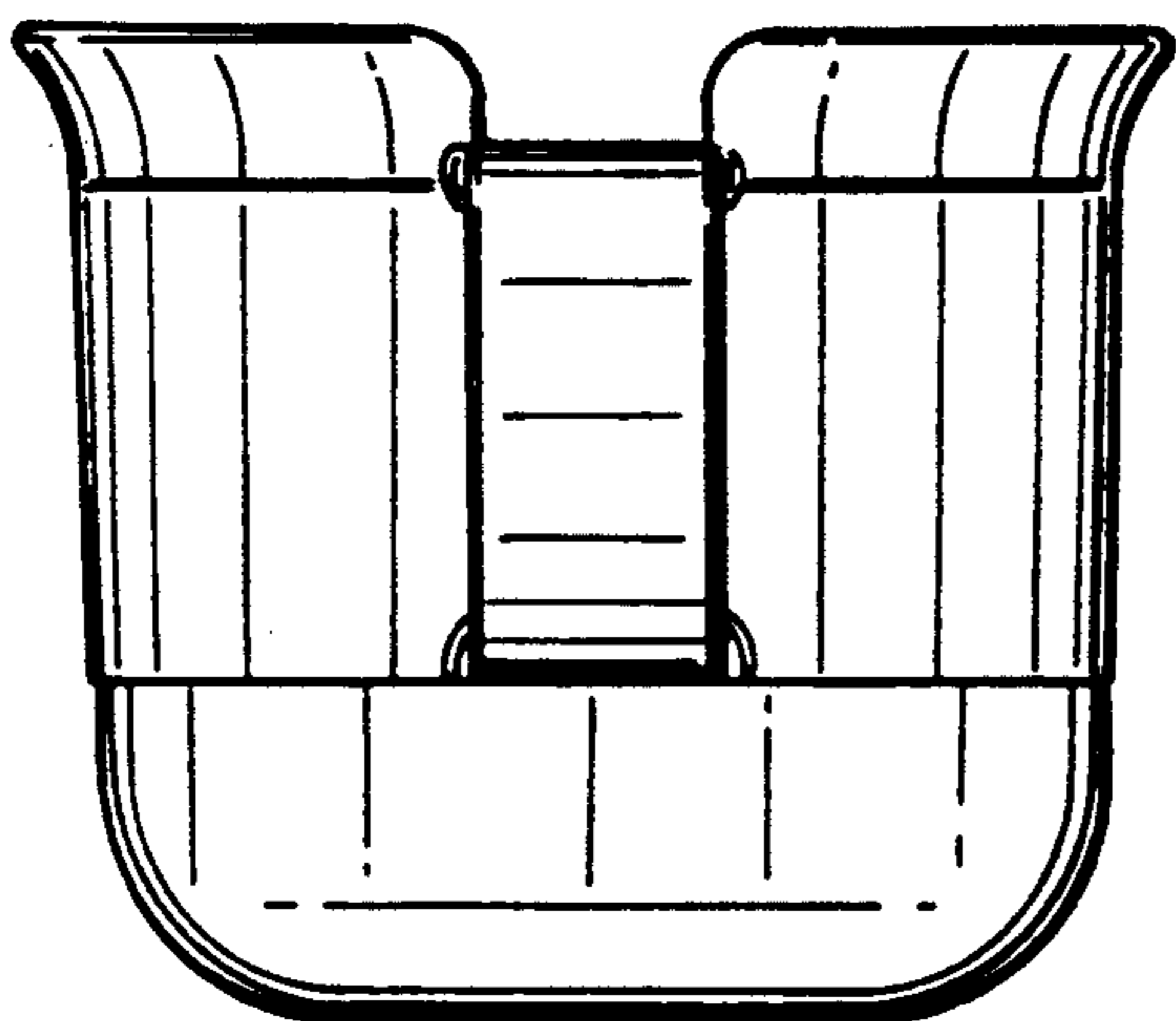
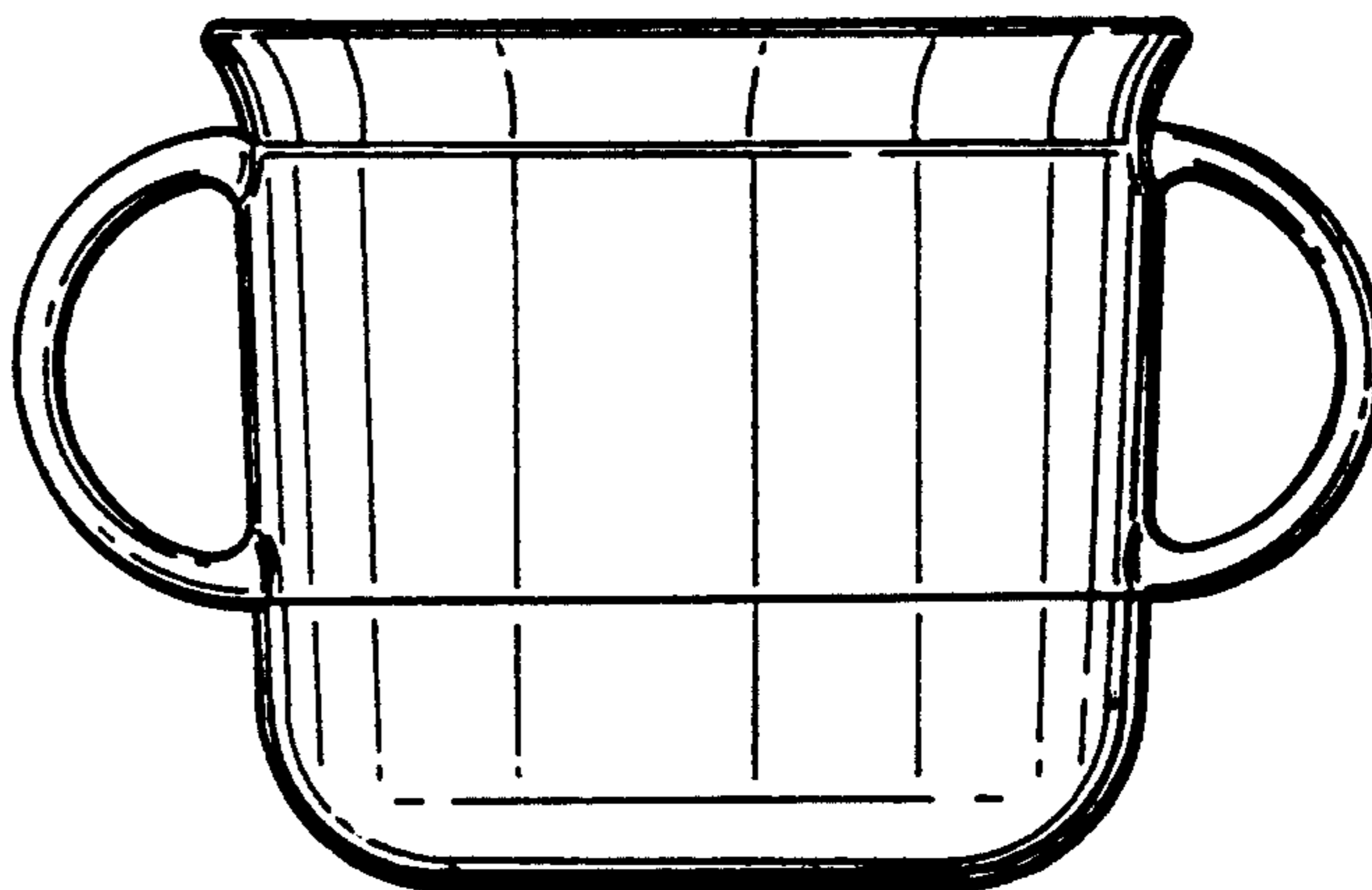


FIG. 6

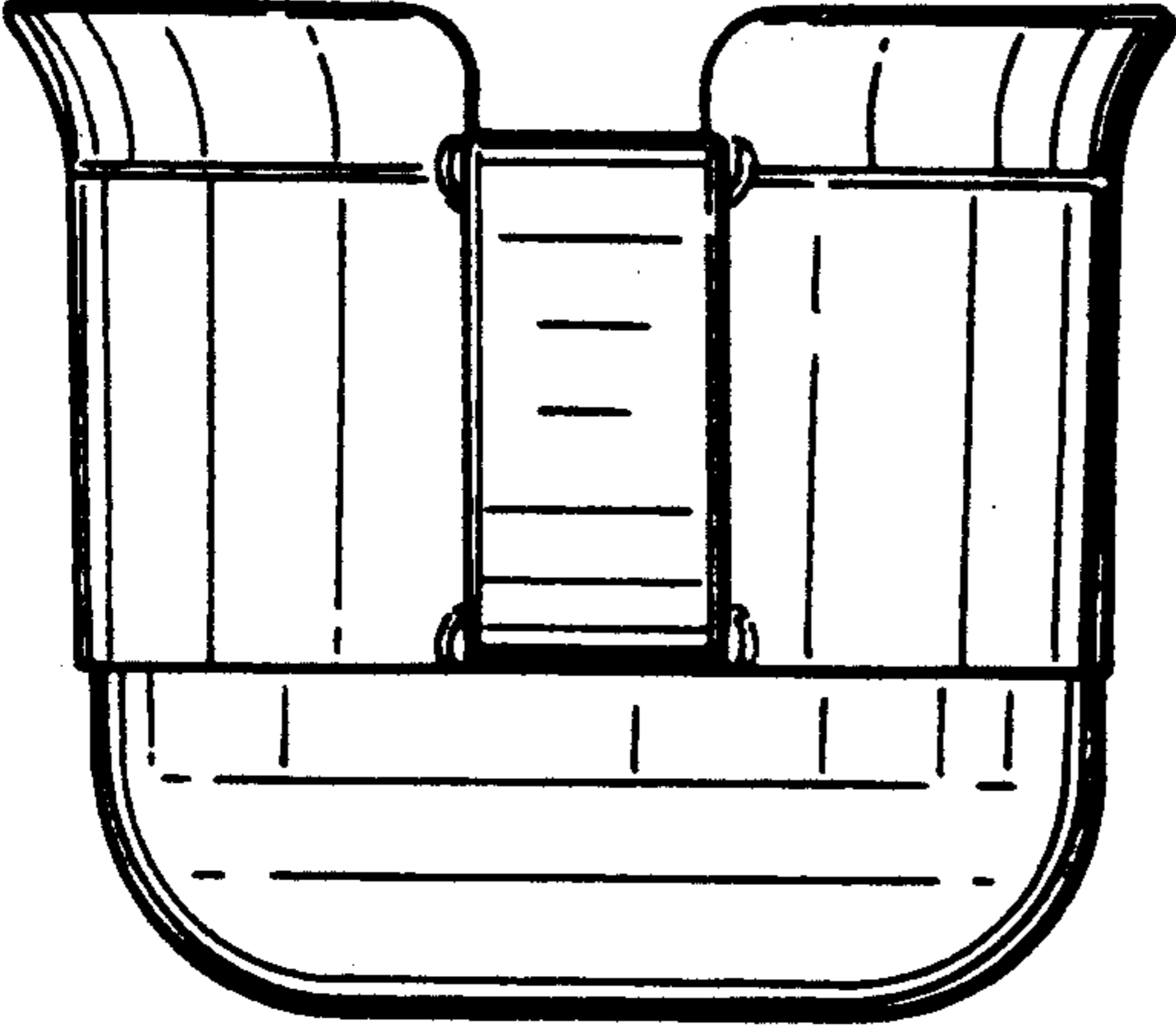


FIG. 7

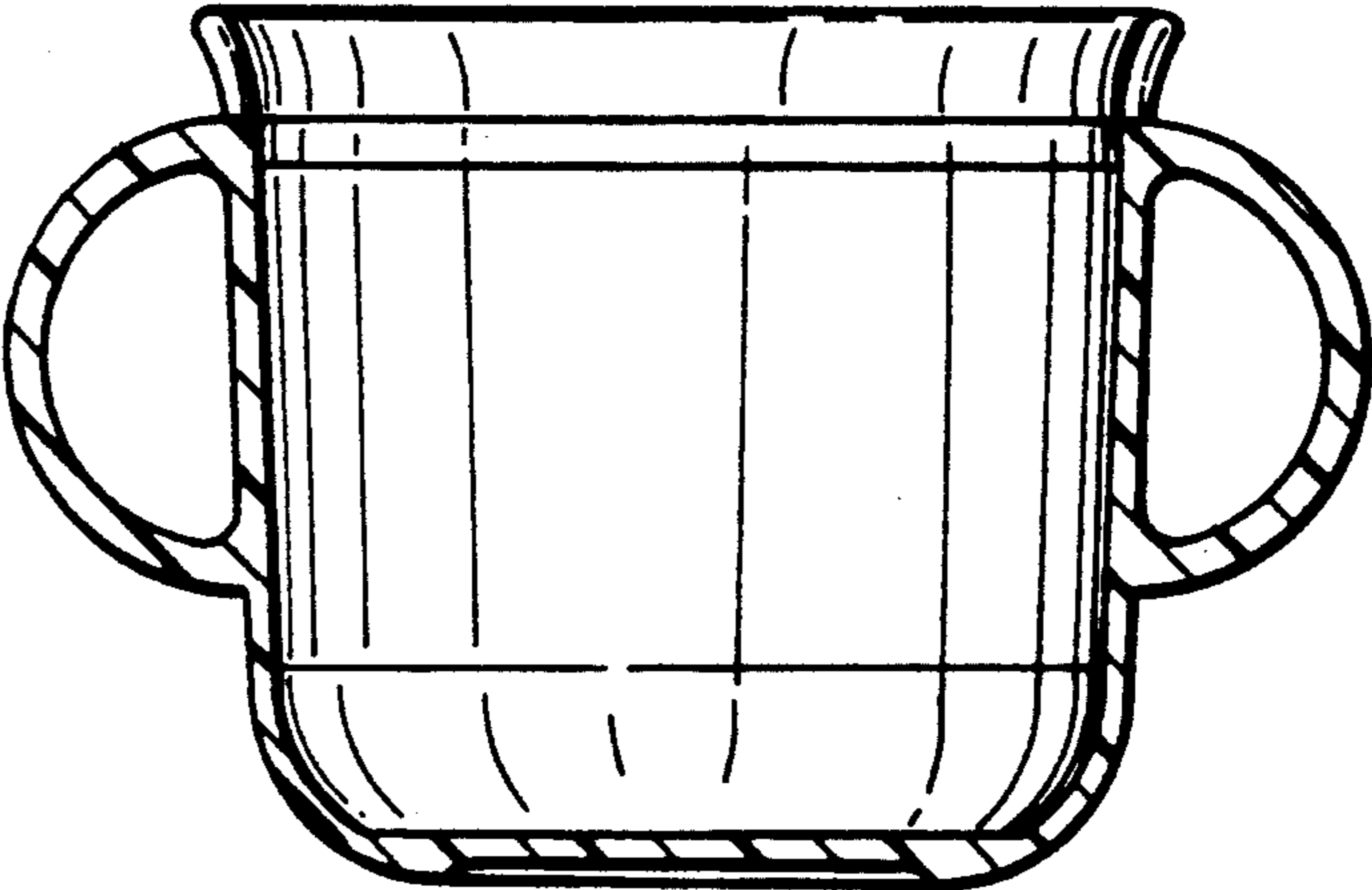


FIG. 8

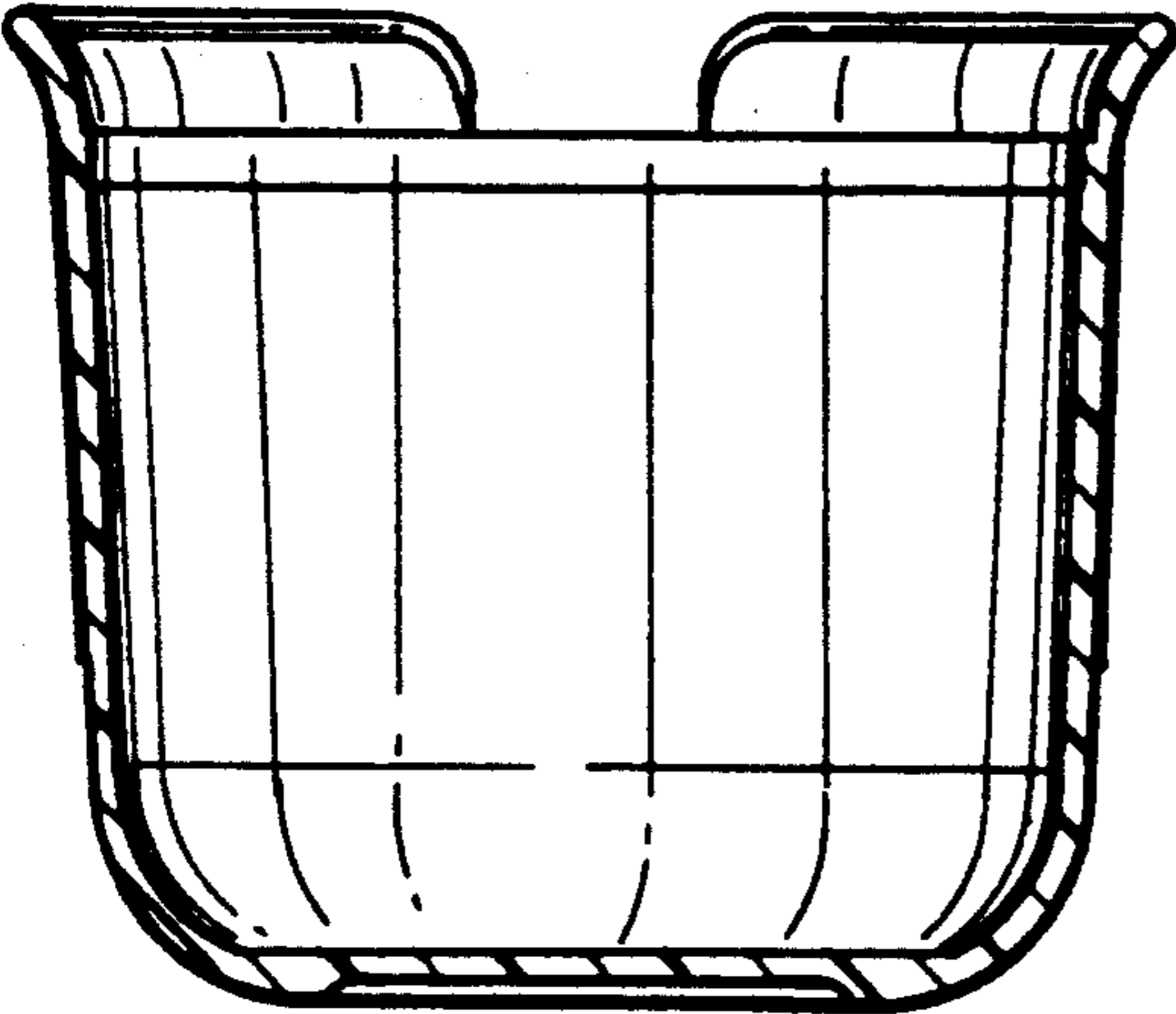


FIG. 9