



US00D343762S

# United States Patent [19]

Pagani

[11] Patent Number: **Des. 343,762**

[45] Date of Patent: **\*\* Feb. 1, 1994**

[54] **KNEADING MACHINE**

[75] Inventor: **Luca Pagani, Castellanza - Varese, Italy**

[73] Assignee: **Micromax International S.r.L., Como, Italy**

[\*\*] Term: **14 Years**

[21] Appl. No.: **642,362**

[22] Filed: **Jan. 17, 1991**

[30] **Foreign Application Priority Data**

Jul. 17, 1990 [IT] Italy ..... 21496/90[U]

[52] U.S. Cl. .... **D7/368; D7/376**

[58] Field of Search ..... **D7/376, 381, 386, 601, D7/368; 366/98, 91, 92; 425/190, 205, 191, 204**

[56] **References Cited**

**U.S. PATENT DOCUMENTS**

D. 265,715 8/1982 Osrow et al. .... D7/376  
D. 267,771 2/1983 Cavalli ..... D7/376

D. 325,852 5/1992 Giannelli ..... D7/376 X  
4,219,318 8/1980 Cavalli ..... 366/98 X  
4,406,603 9/1983 Williams ..... D7/376 X

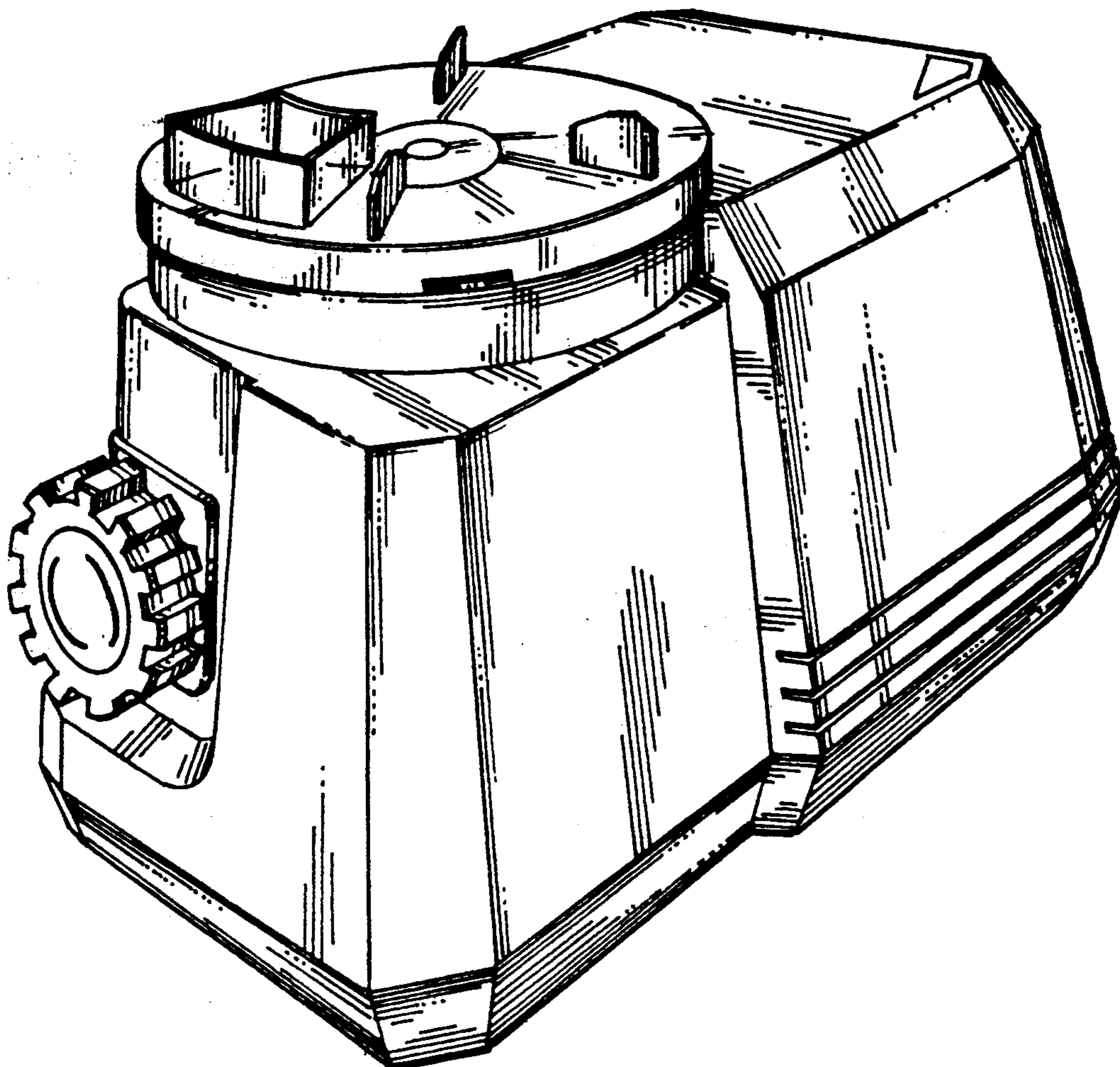
*Primary Examiner*—Alan P. Douglas  
*Assistant Examiner*—Caron D. Veynan  
*Attorney, Agent, or Firm*—Sughure, Mion, Zinn, Macpeak & Seas

[57] **CLAIM**

The ornamental design for a kneading machine, as shown.

**DESCRIPTION**

FIG. 1 is a perspective view of the front, top and one side of a kneading machine showing my new design; FIG. 2 is a side elevational view of said one side thereof; FIG. 3 is a side elevational view of an opposite side thereof; FIG. 4 is a front elevational view thereof; FIG. 5 is a rear elevational view thereof; FIG. 6 is a top plan view thereof; and, FIG. 7 is a bottom plan view thereof.



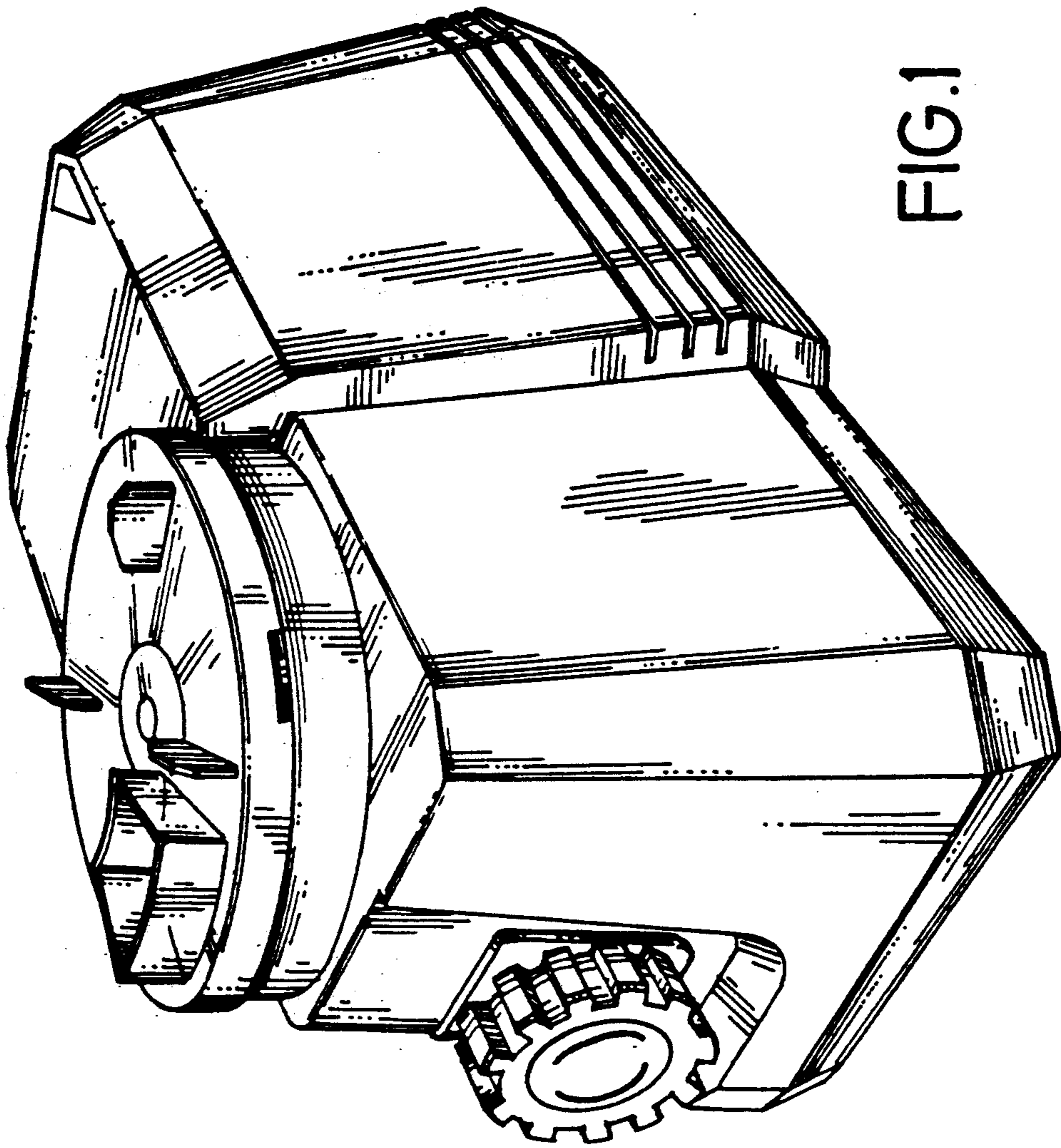


FIG. 1

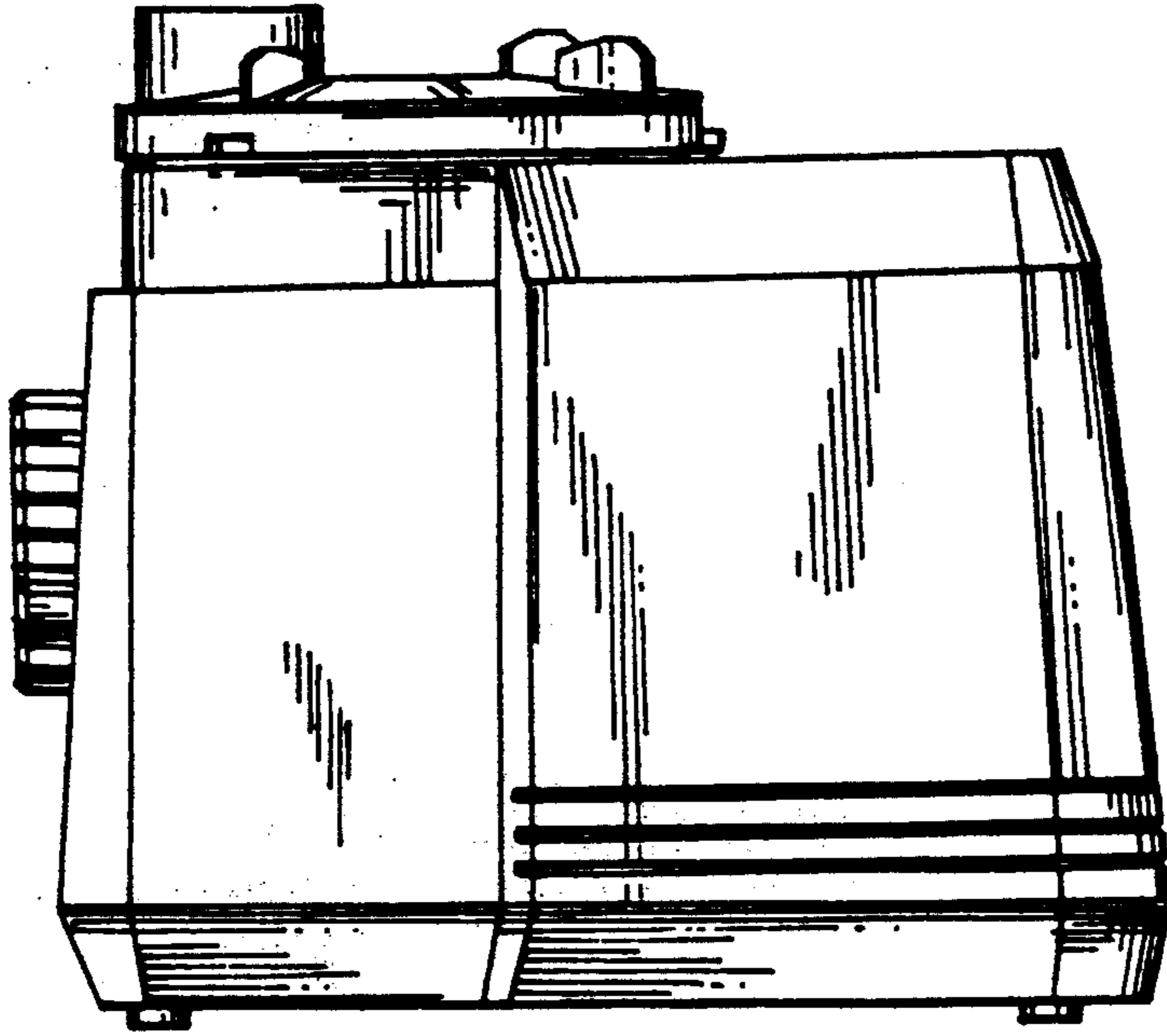
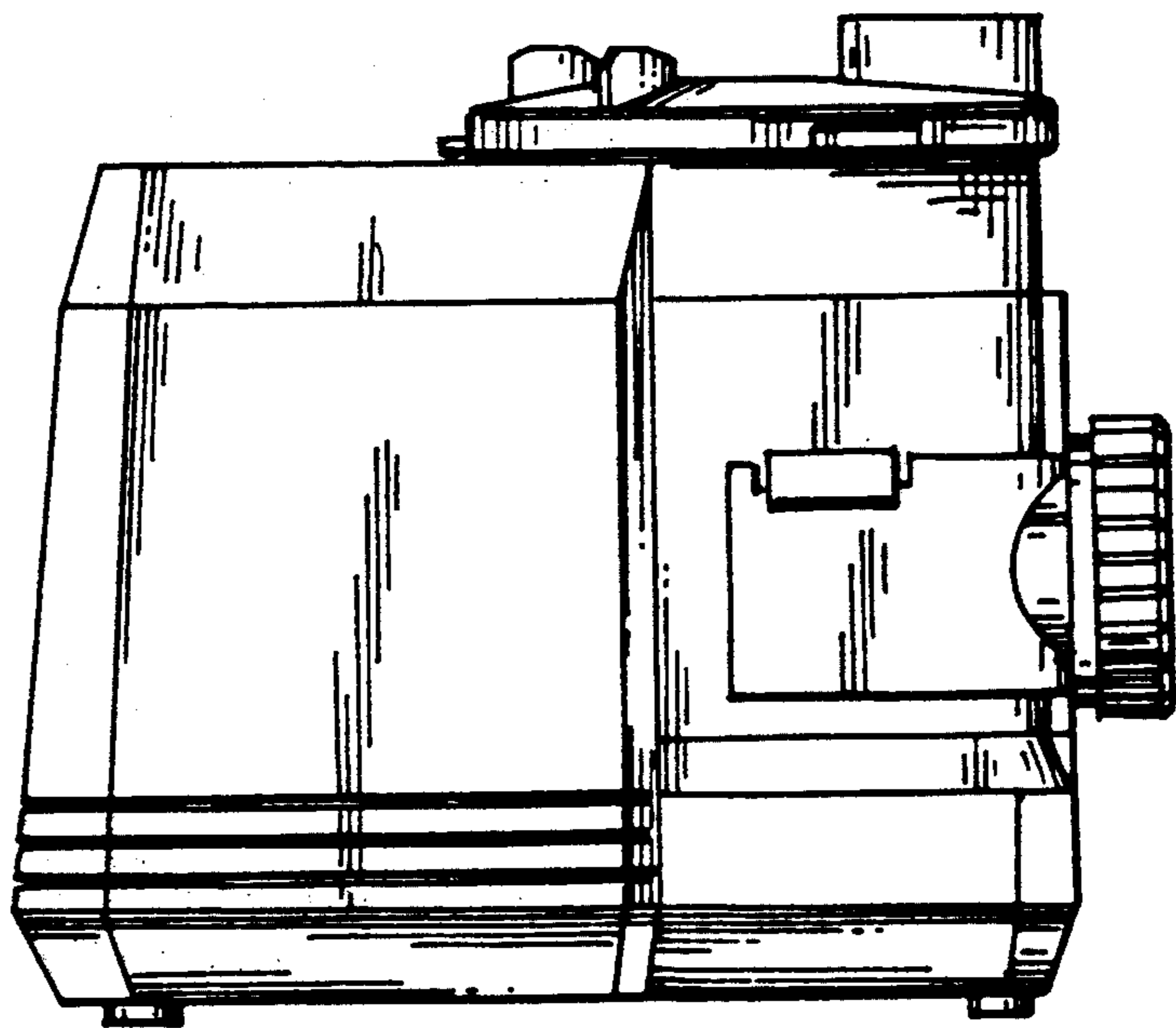


FIG. 2

FIG. 3



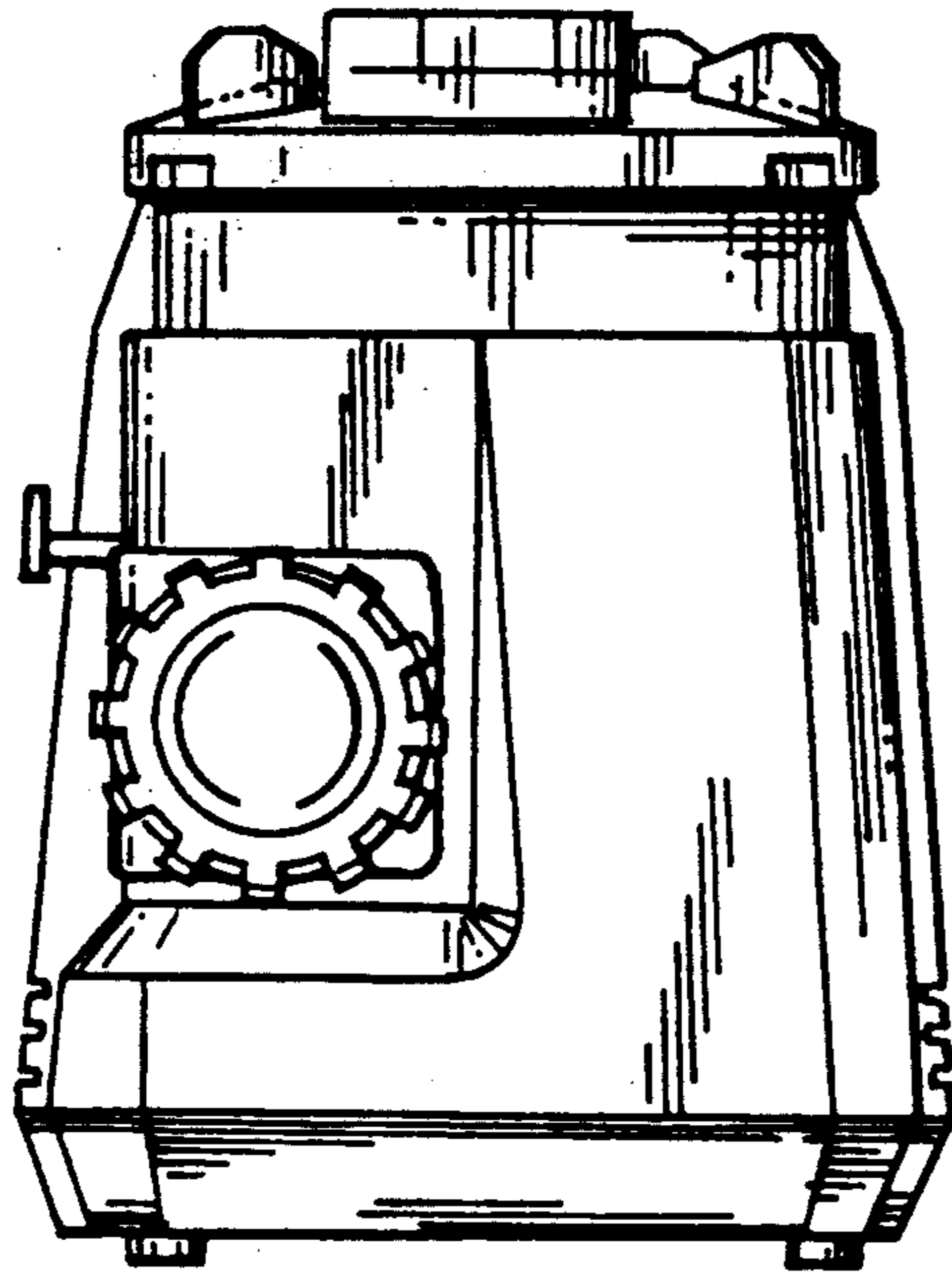


FIG. 4

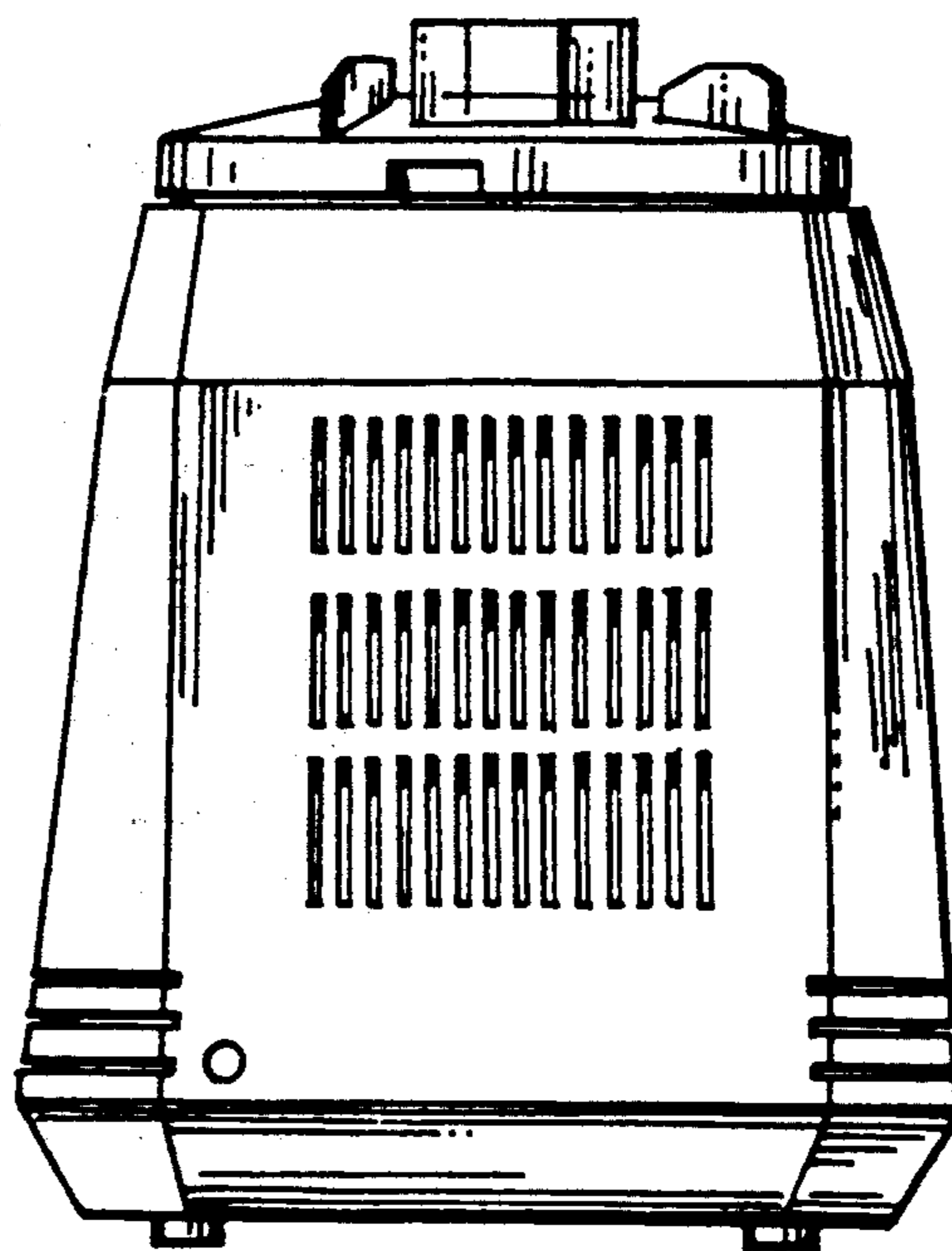


FIG. 5

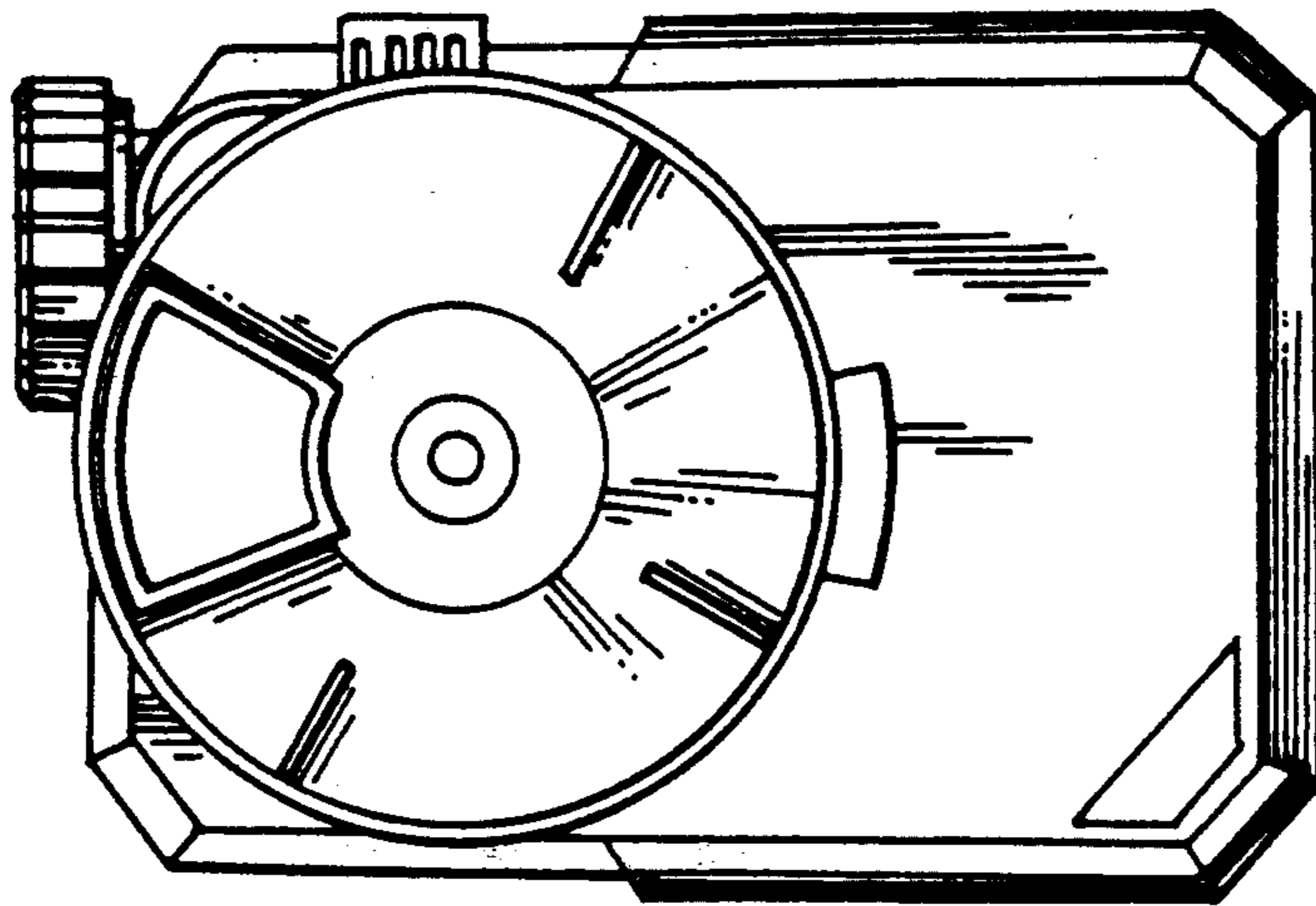


FIG. 6

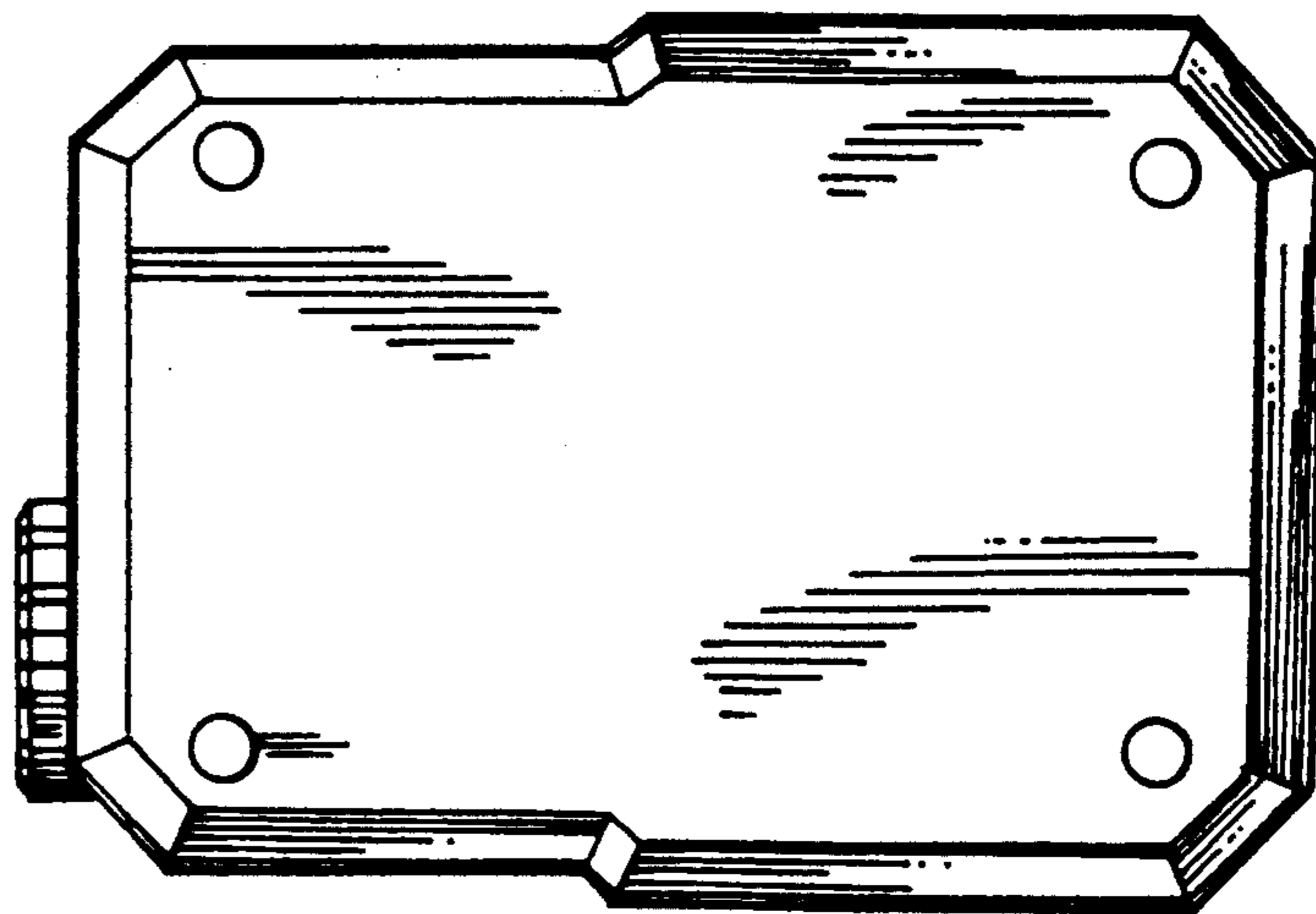


FIG. 7