



US00D343759S

United States Patent [19]

[11] Patent Number: **Des. 343,759**

Jorgensen

[45] Date of Patent: **** Feb. 1, 1994**

[54] **TEAPOT**

[75] Inventor: **Carsten Jorgensen, Kriens, Switzerland**

[73] Assignee: **PI-Design AG, Triengen, Switzerland**

[**] Term: **14 Years**

[21] Appl. No.: **737,515**

[22] Filed: **Jul. 30, 1991**

[52] U.S. Cl. **D7/318; D7/317; D7/316**

[58] Field of Search **D7/302, 322, 300, 301, D7/303, 312, 314, 317, 318, 321, 619, 622, 623, 319, 320, 326, 548, 598; 222/465.1, 470, 472, 475; 99/279, 316, 317, 306, 304; 220/23.84**

[56] **References Cited**

U.S. PATENT DOCUMENTS

235,247	12/1880	Jeffords	222/465.1
D. 272,225	1/1984	De Coster	D7/312 X
D. 288,890	3/1987	Lebowitz	D7/327
639,131	12/1899	Angus	99/306
707,937	8/1902	Nutrizio	99/306
904,113	11/1908	Blocker	99/316
918,674	4/1909	Hathaway	99/317
1,571,116	1/1926	Green et al.	D7/318 X
1,572,682	2/1926	Ramge	D7/321 X
1,758,407	5/1930	Parkinson	99/317

2,156,747	5/1939	Walker	D7/316 X
4,739,696	4/1988	Sheen	D7/318 X
5,125,327	6/1992	Winnington-Ingram	99/306

FOREIGN PATENT DOCUMENTS

601634	5/1948	United Kingdom	99/316
--------	--------	----------------------	--------

OTHER PUBLICATIONS

Teapot by Waggenfeld for Janer Glassworks, 1931-4, Conran Design Guide-Tableware, p. 51.

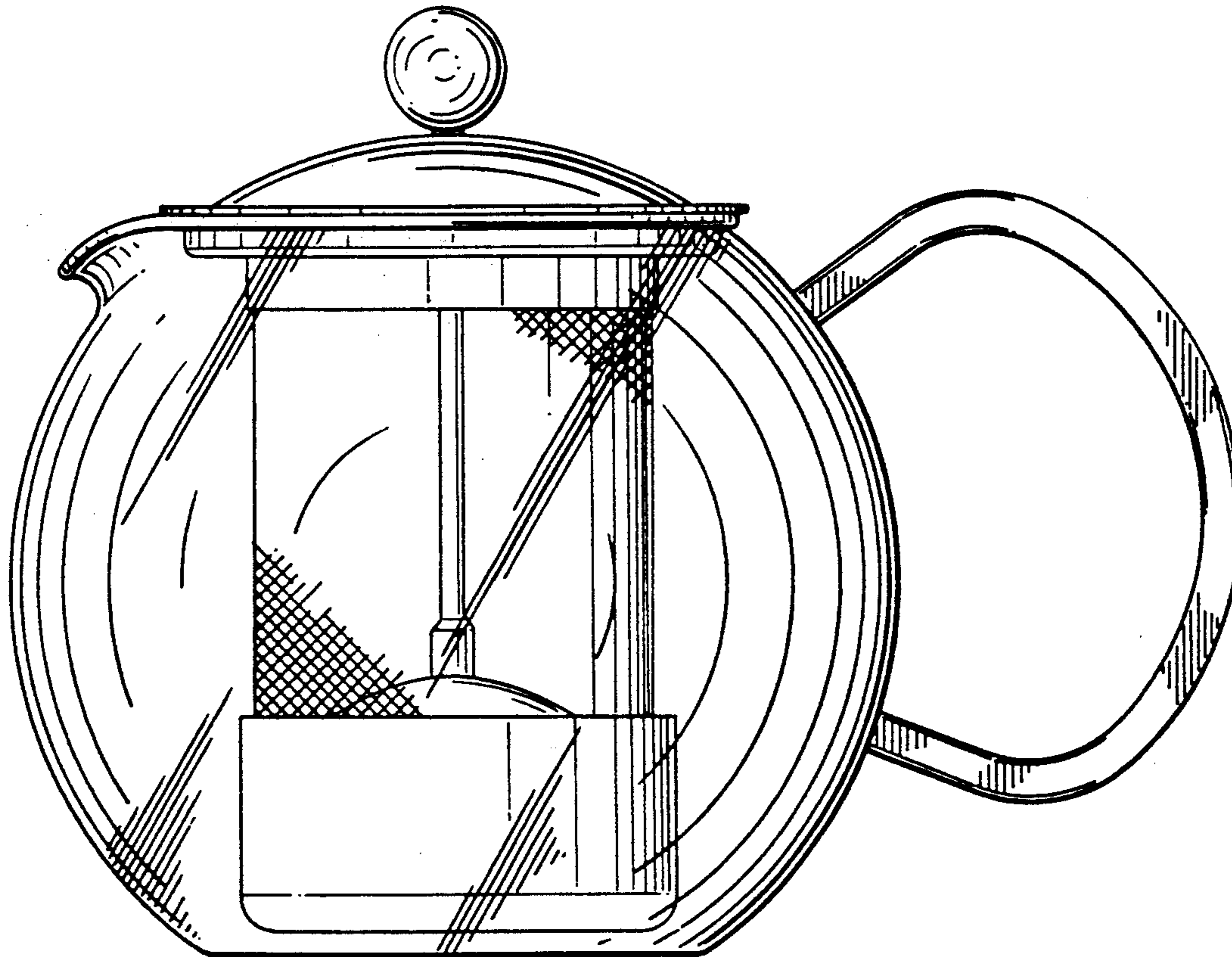
Primary Examiner—Nelson C. Holtje
Assistant Examiner—M. N. Pandozzi
Attorney, Agent, or Firm—J. W. Gipple

[57] **CLAIM**

The ornamental design for a teapot, as shown and described.

DESCRIPTION

FIG. 1 is a side elevation view of the teapot showing my new design;
 FIG. 2 is a top plan view of the teapot shown in FIG. 1;
 FIG. 3 is a front elevational view of the teapot showing my new design; and,
 FIG. 4 is a rear elevational view of the teapot showing my new design.
 The meshlike material shown in FIGS. 1, 3 and 4 is understood to be continuous throughout its cylindrical surface.
 The bottom plan view is plain and unornamented.



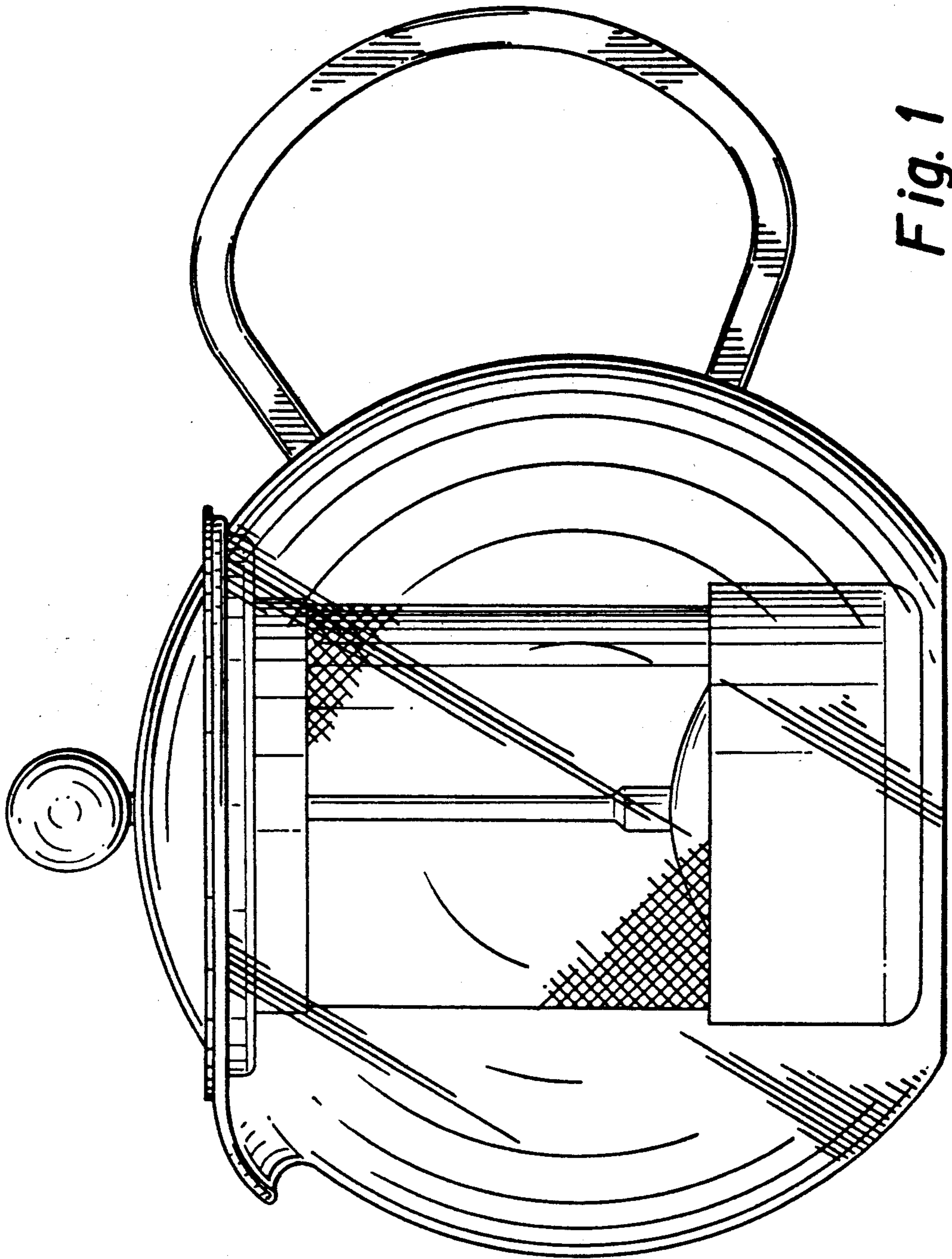


Fig. 1

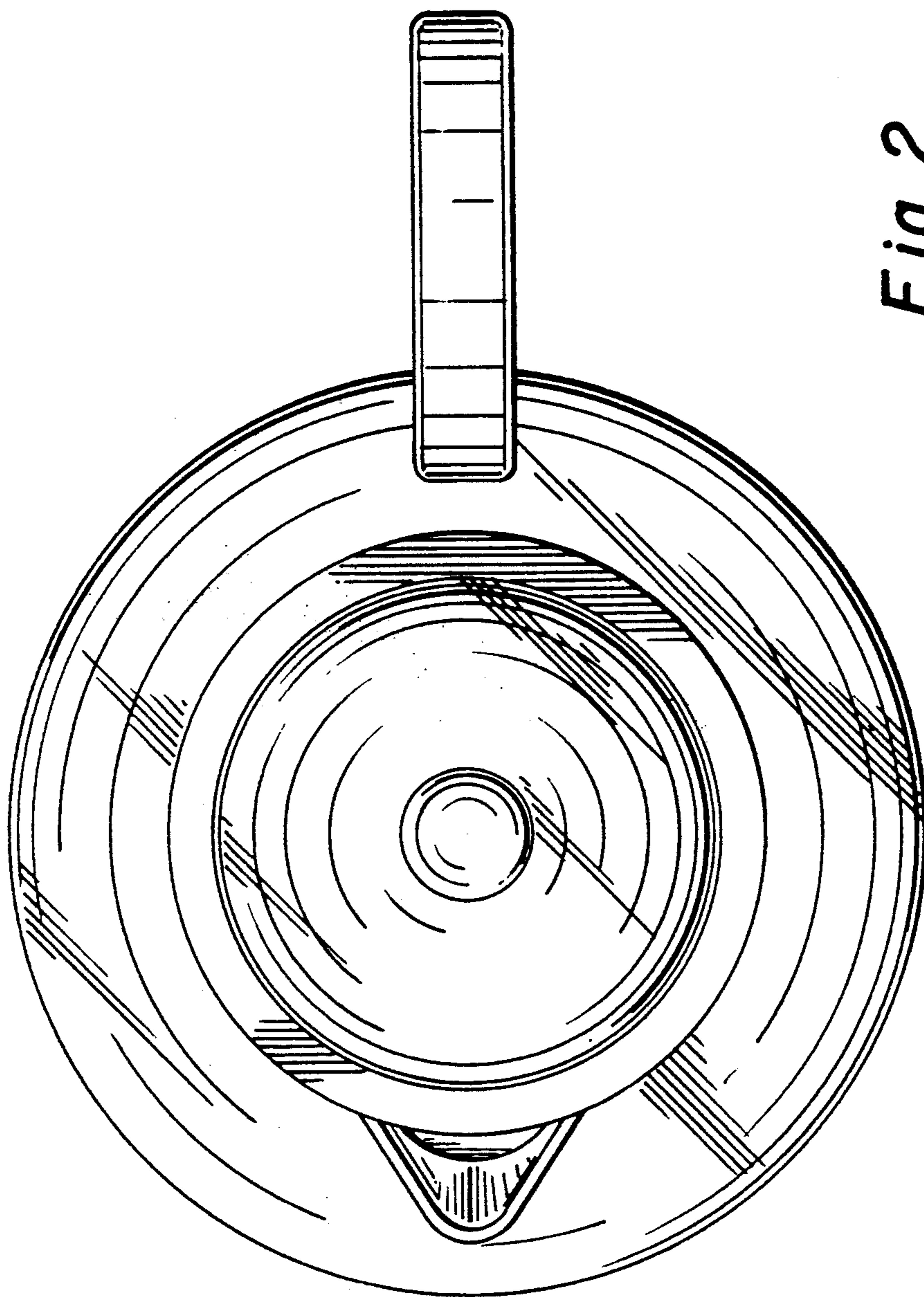


Fig. 2

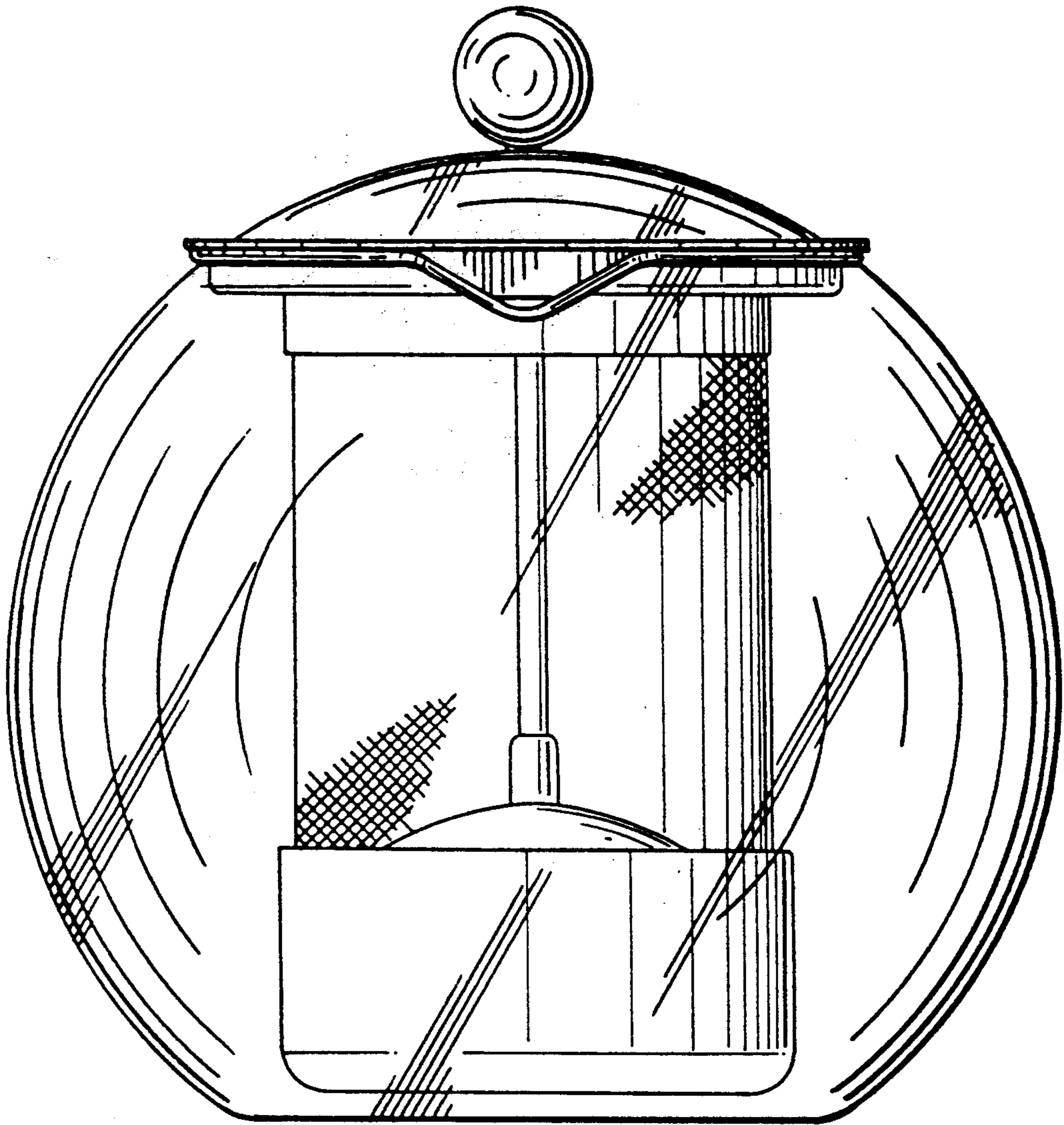


Fig. 3

Fig. 4

